

PM MAILBOX Post & Shelter (DETAILS)

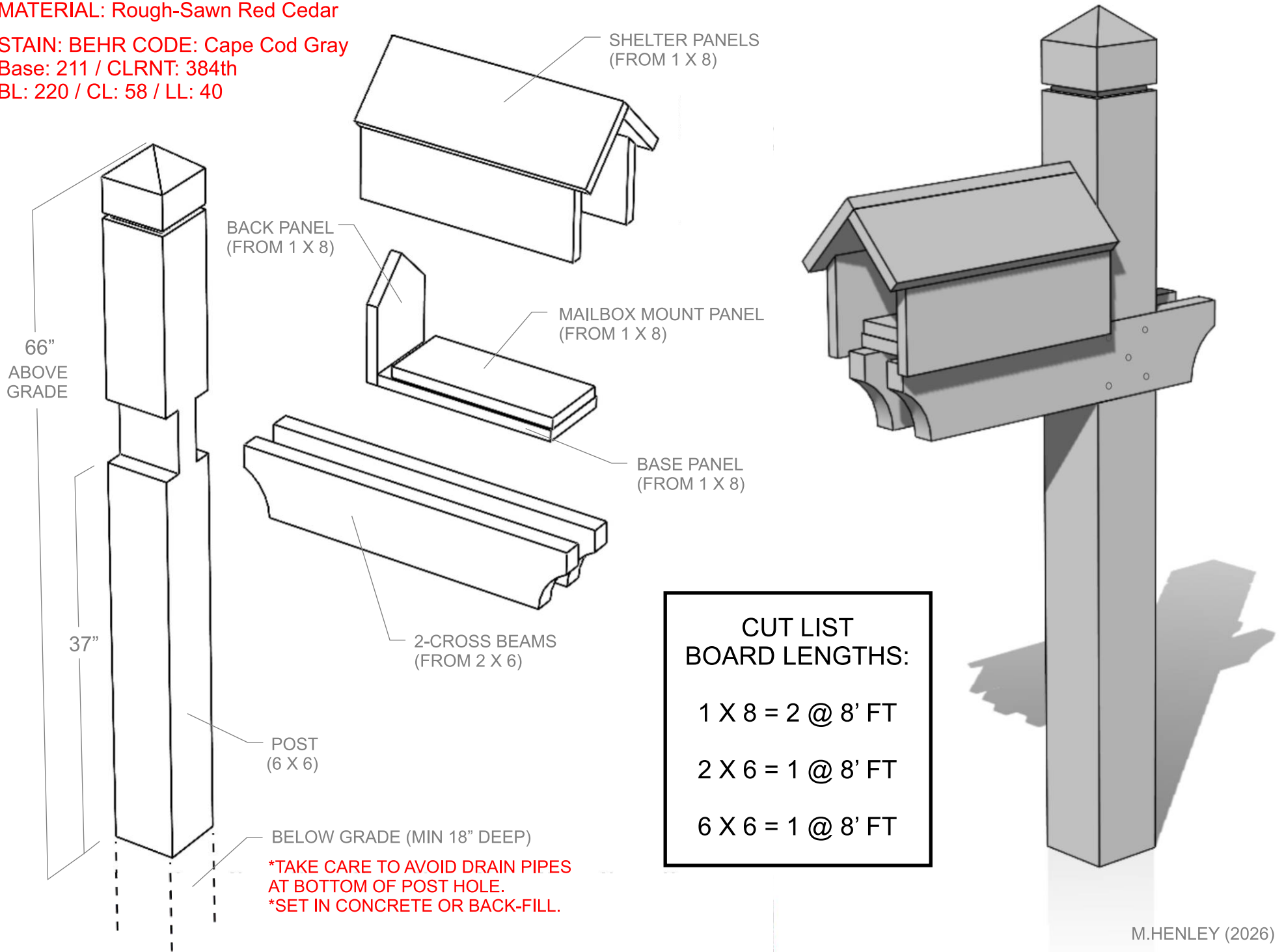
*Also See Page-2 & 3 (Plans & Standard Mailbox Size)

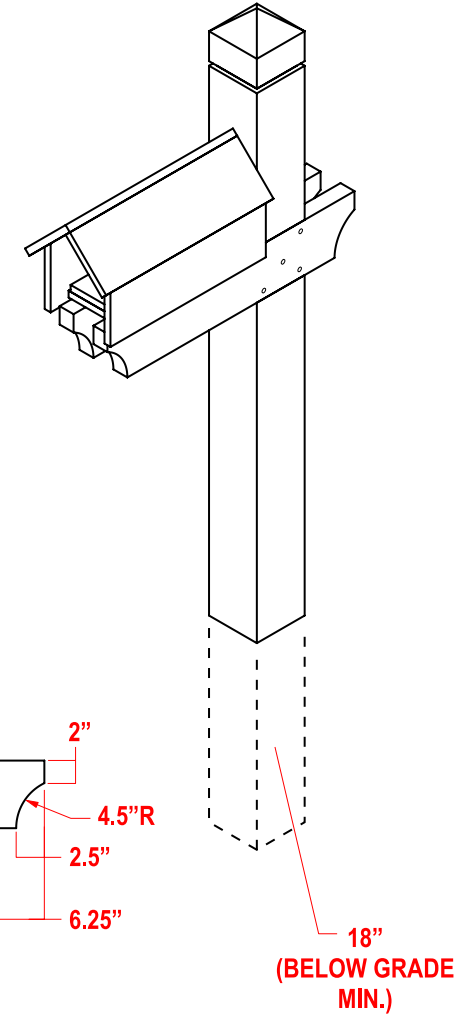
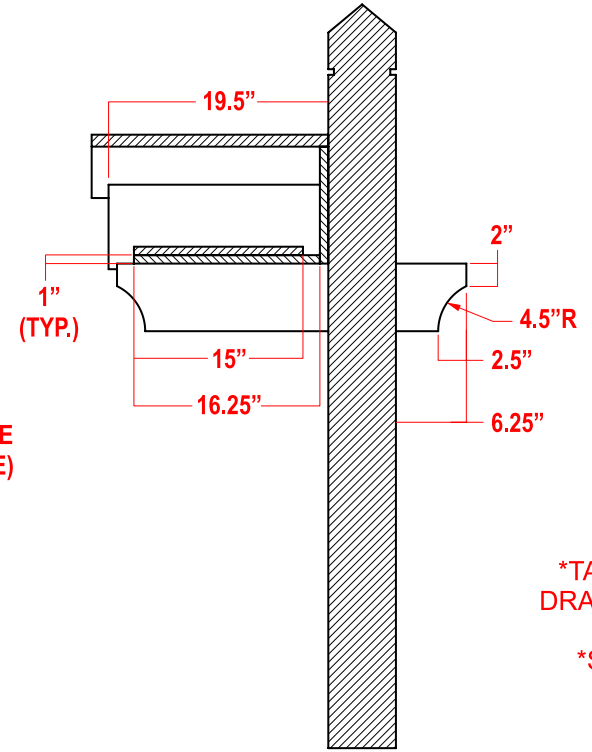
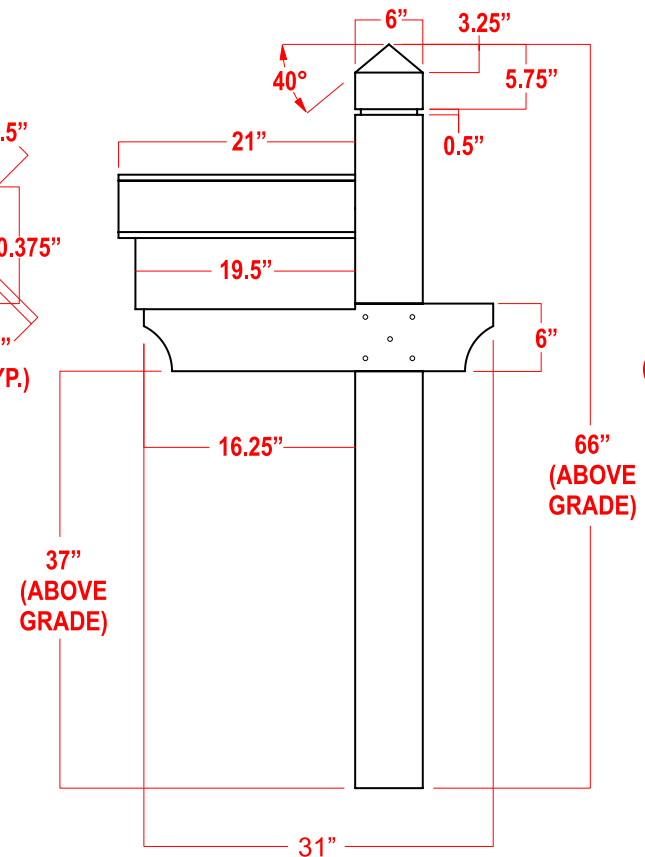
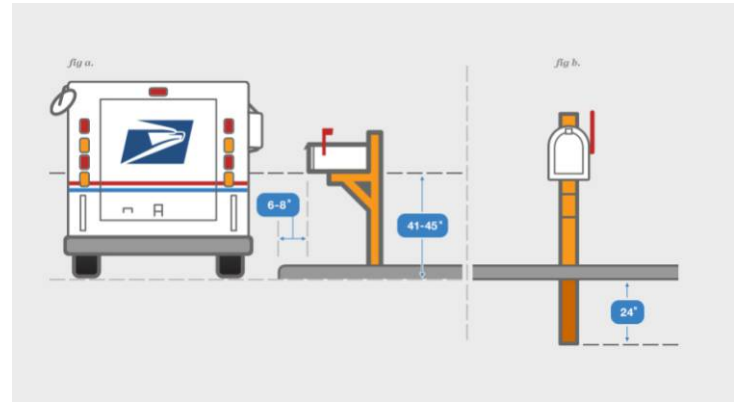
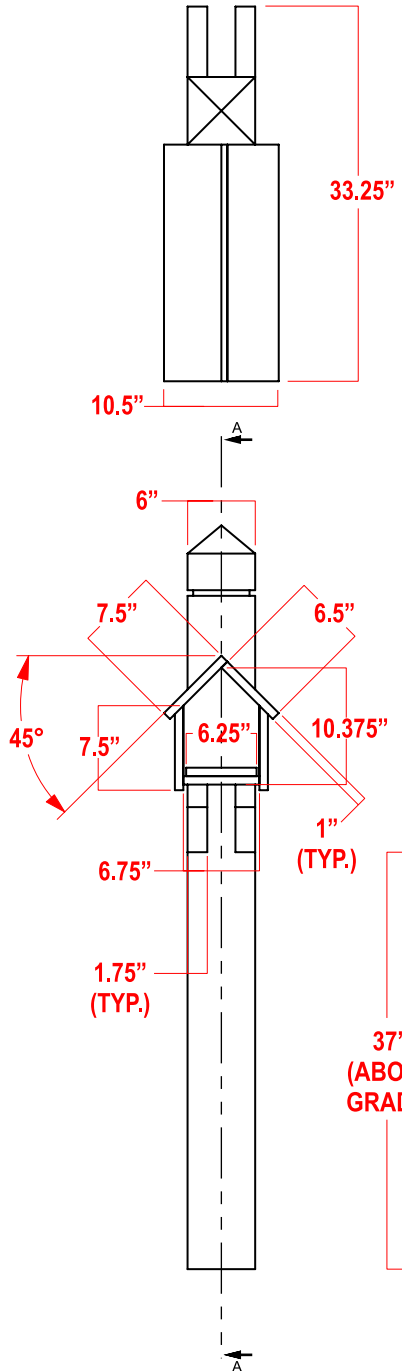
MATERIAL: Rough-Sawn Red Cedar

STAIN: BEHR CODE: Cape Cod Gray

Base: 211 / **CLRNT:** 384th

BL: 220 / **CL:** 58 / **LL:** 40





*TAKE CARE TO AVOID DRAIN PIPES AT BOTTOM OF POST HOLE.
 *SET IN CONCRETE OR BACK-FILL.

SECTION A-A

PROJECT NO.	DATE	SCALE	BY	CHKD.	DATE
PM HOA MAILBOX					
MATERIALS			REVISIONS		
1. RED CEDAR (BRICKWORK)	2.		1.		
DESIGNED BY			DRAWN BY		
M.J.HENLEY (2026)					

STANDARD MAILBOX FIT EXAMPLE:

- Architectural Mailboxes / Gibraltar Brand (Elite E11 Series).
- Galvanized steel with powder-coated finish.
- USPS approved.

