

**TECHNICAL DATA:**

Norminal Flow Rate: 2642 GPM

Filter Area: 1614 in<sup>2</sup>  
Screen Size Available:

Micron	50	80	100	120	150	200	400	800
Mesh	250	200	150	120	100	80	40	20

Other Screen Available On Request

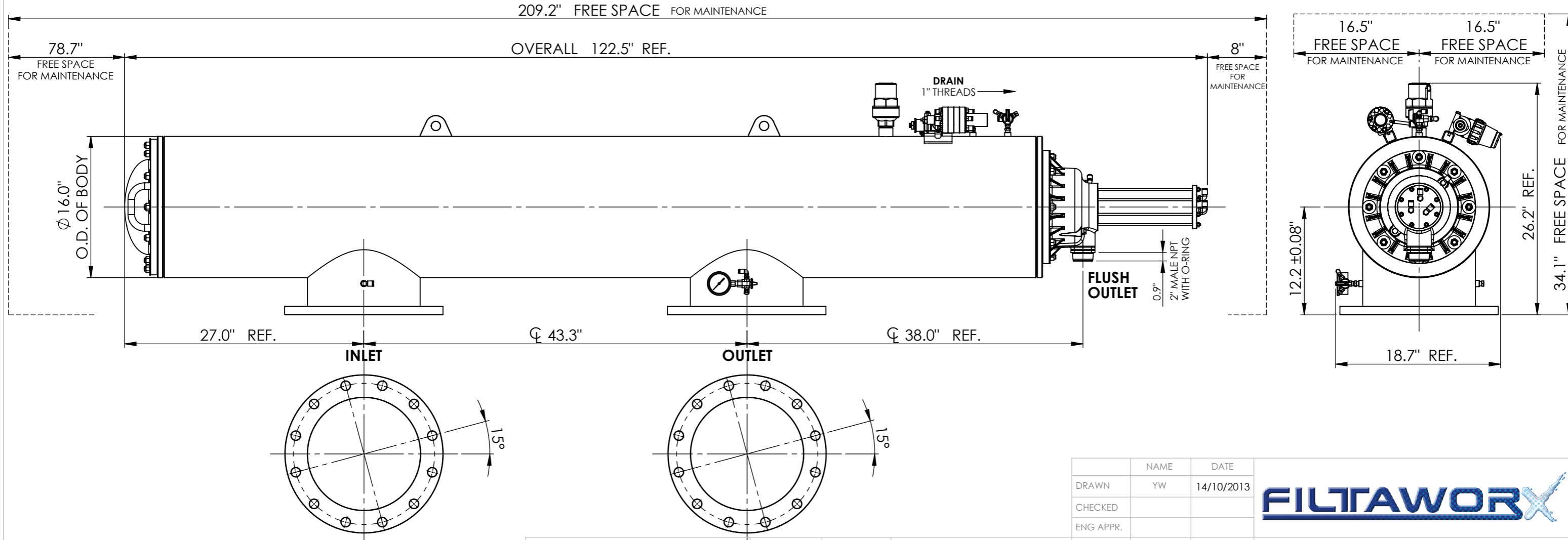
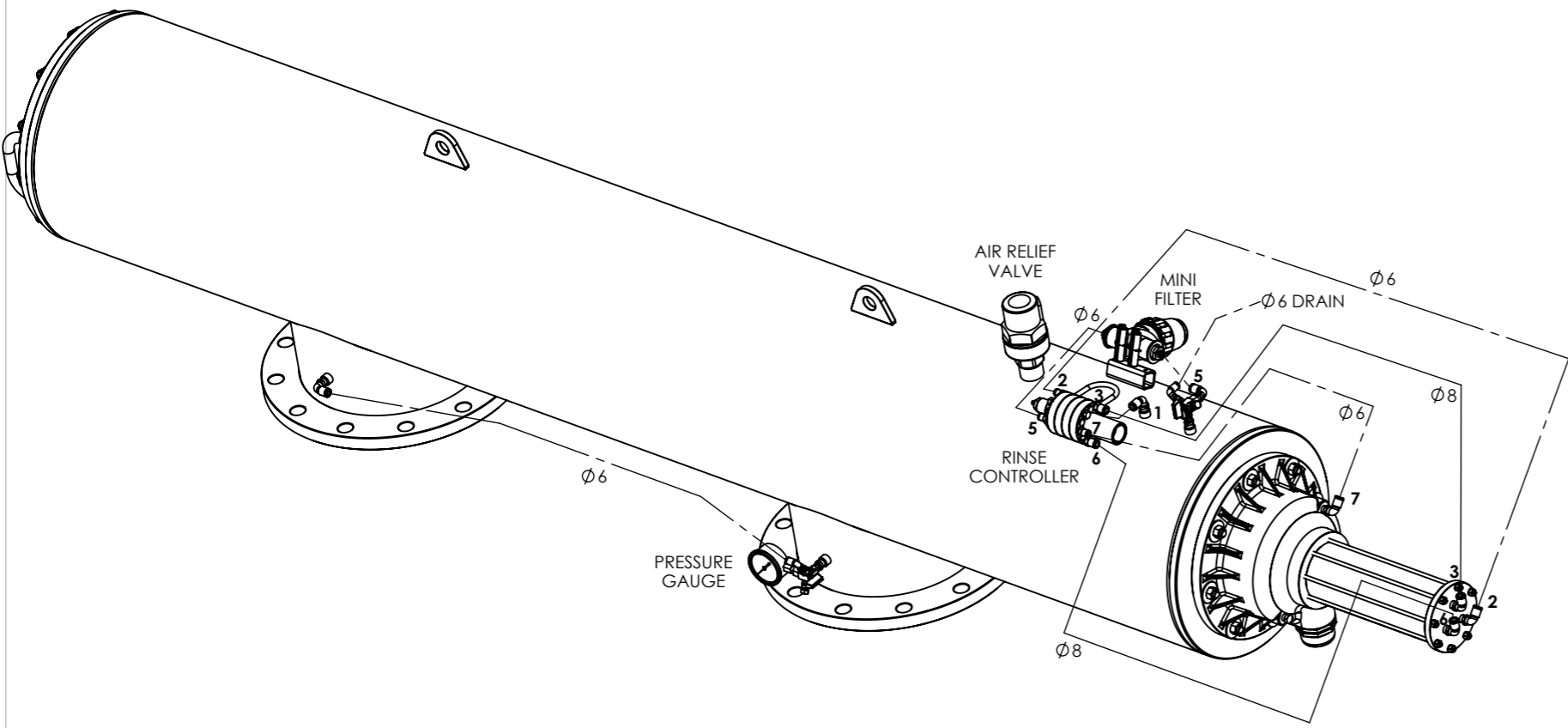
Max. Working Pressure: 150 psi  
Min. Upstream Line Pressure Required During Rinse Cycle: 30 psi

Max. Working Temperature: 131 °F

Approximate Rinse Cycle Time: 15 - 17 sec.

Inlet & Outlet Connection: 12" ANSI or AWWA Flange  
Flush Drain Outlet Connection: 2" Male NPT with O-Ring  
Main Drain Header: 2" Norminal Bore

Approximate Weight: Empty ----- 507.1 lb  
Full of Water --- 1190.5 lb



**PROPRIETARY AND CONFIDENTIAL**

THE INFORMATION CONTAINED IN THIS DRAWING IS THE SOLE PROPERTY OF FILTAWORX PTY. LTD. ANY REPRODUCTION IN PART OR AS A WHOLE WITHOUT THE WRITTEN PERMISSION OF FILTAWORX PTY. LTD. IS PROHIBITED.

MATERIAL	STAINLESS STEEL BODY GLASS REINFORCED NYLON LID
FINISH	
NEXT ASSY	USED ON
APPLICATION	DO NOT SCALE DRAWING

NAME	DATE
YW	14/10/2013
CHECKED	
ENG APPR.	
MFG APPR.	
Q.A.	
DIMENSIONS ARE IN INCH TOLERANCES: ±0.01" MACHINING ±0.25° ANGULAR UNLESS OTHERWISE SPECIFIED	

**FILTAWORX**

TITLE  
**FW300 WATER FILTER  
AUTOMATIC SELF CLEANING  
12" ANSI / AWWA FLANGE CONNECTION**

SIZE A3 DWG. NO. **07002 - inch** REV. **0**

SCALE: N.T.S. WEIGHT: approx. 507.1 lb SHEET: 2 OF 2