

Yardney Gravity Screen Filters are designed as a primary filter or for recycling and reuse of backwash water from a primary filtration system. These rugged, stainless steel filters are built with the same high performance, high efficiency standards as our other product lines.



Applications

- For primary filtration or for recycling and reuse of backwash water from a primary filtration system

Features

- Stainless steel construction
- Hydraulic powered spray wands
- Inlet and outlets utilize a groove coupling
- Curved screen lip to allow easier flow of containments off of screen
- Sacrificial anode
- Stainless steel hinges on all door openings
- Stainless steel hardware
- Made in USA

**Yardney Gravity
Screen Filters
Specifications**

SPECIFICATIONS GRAVITY FILTER								
Model	Maximum Flow		Filtration Surface Area (total sq ft)	Inlet/Outlet (Grooved)	Return Line (FPT)	Return Spray Bar (psi)	Return Line Specs	
	gpm	m ³ /hr					Flow (gpm)	Pressure (psi)
GSF-KT 200	200	45	3.9	4"	1	10 psi	28	20

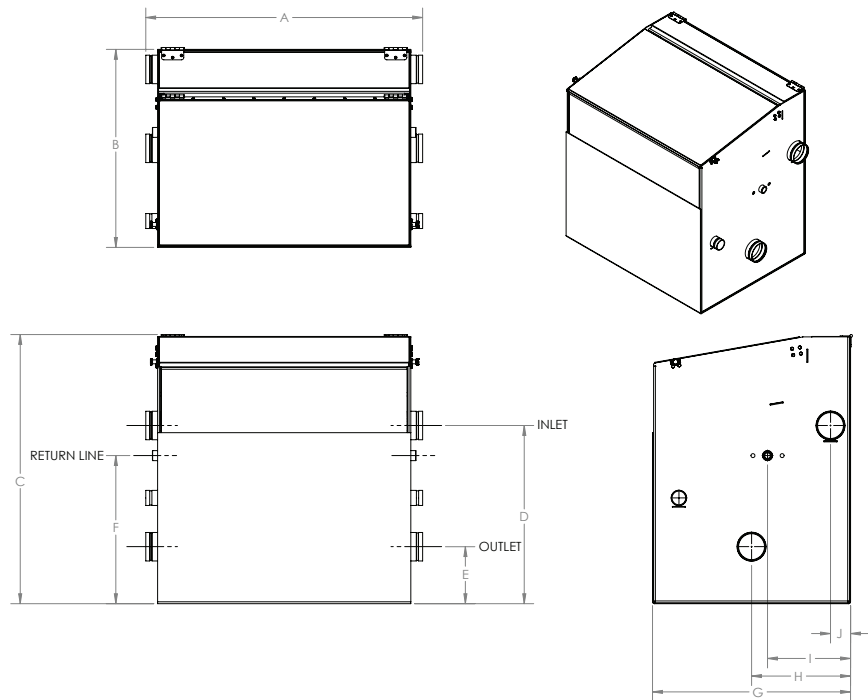
DIMENSIONS										
Model	A	B	C	D	E	F	G	H	I	J
GSF-KT 200	43 3/4"	31 1/4"	42 1/2"	28 1/8"	9"	23 3/8"	31 1/4"	15 5/8"	13 1/8"	3 3/16"

Standard product includes:

- Two 4" PVC S-80 Groove x Slip Adapters
- One 1" Brass FPT Union Pressure regulator
- One 1-1/2" Y-Strainer 200 Mesh
- One 1/4" NPT Pressure Gauge
- One Float Switch 120V AC

Available mesh:

- 150
- 200



Made in USA

Phone: 951.656.6716
 Toll-Free: 800.854.4788
 Fax: 951.656.3867
 info@yardneyfilters.com



www.yardneyfilters.com