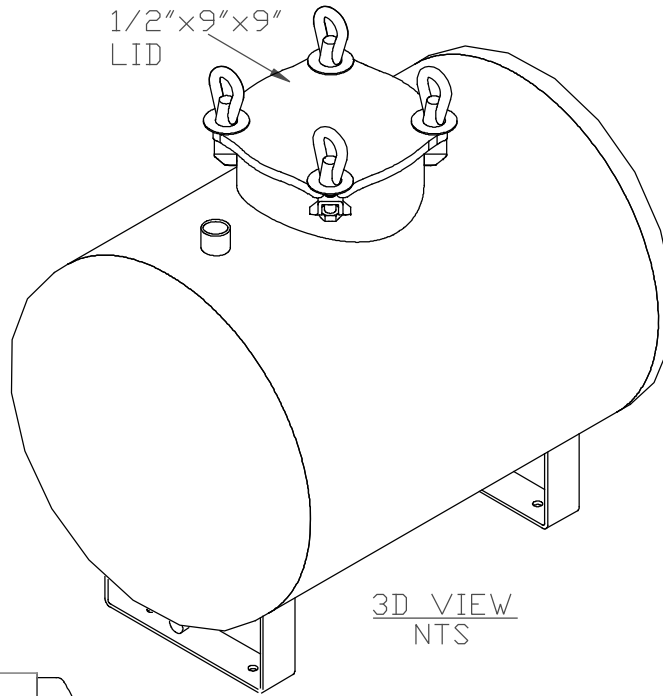
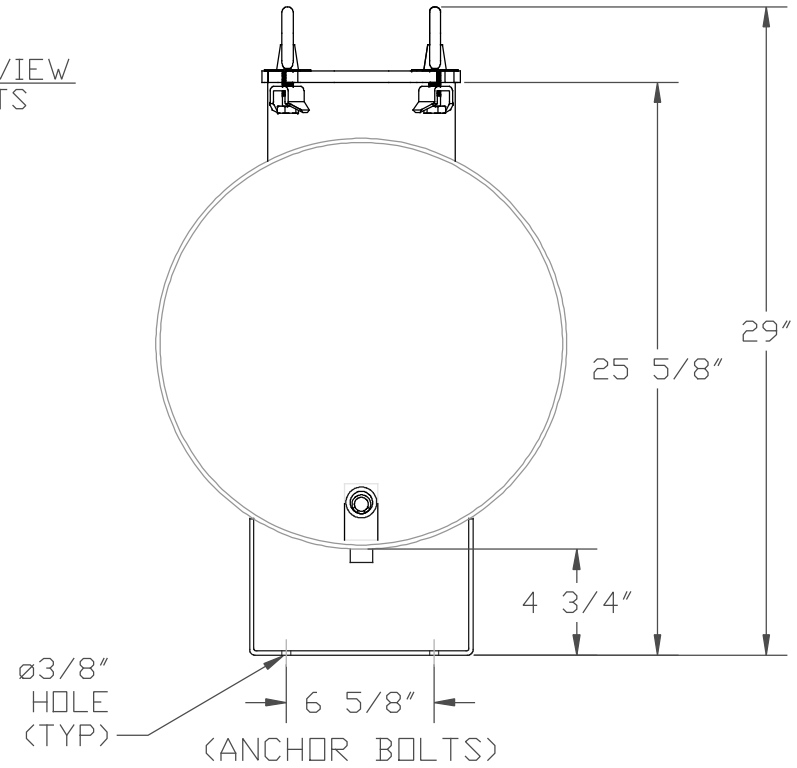
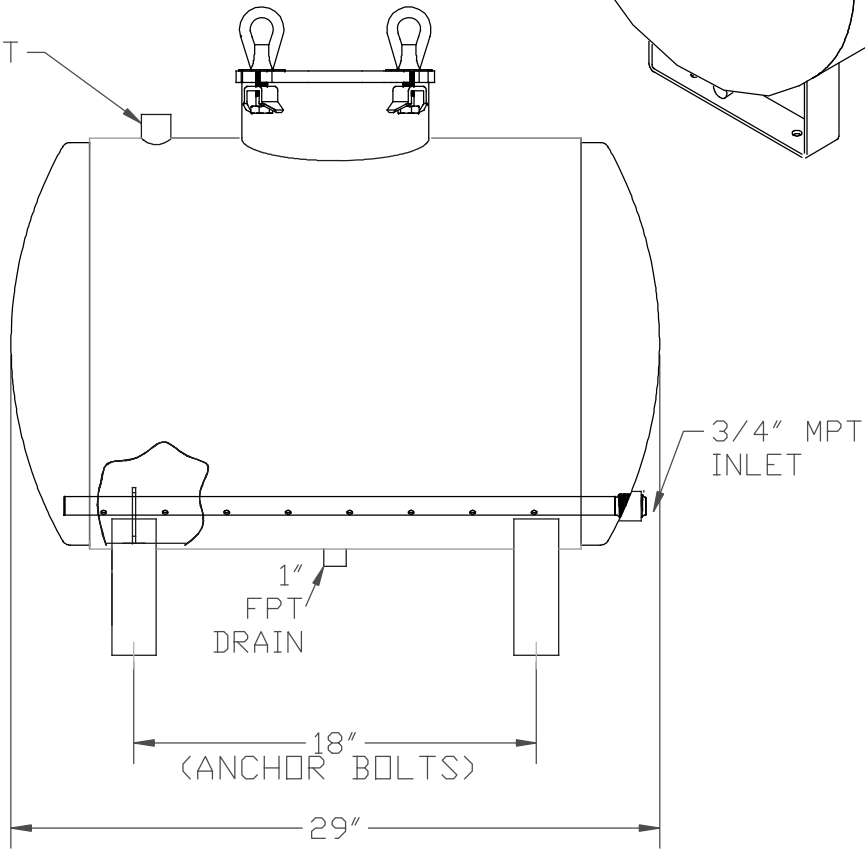


FERTILIZER TANK - 30 GAL.
 MODEL: HF-30

1/2" x 9" x 9"
 LID



3/4" FPT OUTLET



THIS DRAWING, INCLUDING THE INFORMATION IT CONTAINS, IS CONFIDENTIAL, PROPRIETARY, AND IS THE PROPERTY OF YARNEY WATER MANAGEMENT, INC. IT IS SUBMITTED ONLY IN CONNECTION WITH THE TRANSACTION TO WHICH IT PERTAINS AND MUST NOT BE USED IN ANY OTHER MANNER DETRIMENTAL TO THE INTERESTS OF YARNEY WATER MANAGEMENT. THE DRAWING IS NOT TO BE COPIED AND MUST BE RETURNED UPON REQUEST. COPYRIGHT YARNEY WATER MANAGEMENT SYSTEMS, 1994.

C	REPLACED TUBING 106060707 w/10500050	DTD	5-12
B	REPLACED EARS w/TUBE & EYE NUT	DTD	6-10
A	LDC. & SIZE OF 1/2" COUPL. TO 1"	DTC	9-05
NO.	REVISION	BY	DATE

CUSTOMER	Yardney WATER MANAGEMENT SYSTEMS RIVERSIDE, CALIFORNIA
USED ON	
DRAWN BY	HF-30
DATE	6-24-05
DRAWING NO.	312590300
LOCATION	\\SYSTEMS\TANK_FERT\GEN.
REV: C	SHEET 1 OF 1