



Installation
and Operation
Instruction
Manual
INSMAN-103

Maxi-Clean™
Screen Filters

Phone: 951.656.6716 | Toll-Free: 800.854.4788 | www.yardneyfilters.com

Yardney Water Management Systems, Inc. | 6666 Box Springs Blvd. | Riverside, CA 92507

MAXI-CLEAN SCREEN FILTER

GENERAL SAFETY GUIDELINES

Please read the entire manual before beginning any procedure.

1. Only properly trained personnel should operate and service the equipment.
2. Always wear proper safety gear when servicing equipment.
3. Before installing the system, ensure that the system falls within the designed operating parameters.
4. Know the safety operating limits of the system and any equipment directly connected to or affected by it.
5. Be sure that the system is depressurized before any maintenance work, removing components or opening of the vessels.
6. Be sure to re-examine the system before putting it back into service.
7. Be sure to maintain all equipment and to continuously check the system for leaks and or damage. Fixing problems as they occur will prolong the life of the system.

1.0 INSTALLATION

Maxi-Clean Screen Filters that are supplied with grooved inlet and outlet connections will require grooved adapters that match the inlet and outlet size of the filter. On Maxi-Clean Screen Filters that are supplied with flanged inlet and outlet the flanges of the corresponding size will be required.

- 1.1 The location of the filter should allow adequate room for servicing and filter cartridge removal.
- 1.2 On filters that are supplied with grooved inlet and outlet connections, lubricate the gaskets for the groove type couplings with soapy water and slip gasket onto the inlet and outlet ports on the filter housing.
- 1.3 Align the inlet and outlet lines. Pull the gasket back until it is centered between the grooves on the inlet and outlet of the filter and the lines that are being connected.
- 1.4 Lubricate gaskets with soapy water. Install groove type couplings making sure that the couplings are securely in grooves. Tighten bolts alternately until tight.
- 1.5 Remove lid assembly and cartridge. Inspect the filter cartridge making sure that the U-channel seals are secure. Reinstall the cartridge and lid assembly and tighten and lid securely.
- 1.6 The Maxi-Clean Screen Filters are supplied with a flush port which is located on the lid. The installation of the supplied manual valve in this port is recommended for cleaning the filter. If this valve is not installed, the unit should be operated as a manual clean screen filter.
- 1.7 To connect the pressure gauge assembly, thread the nipple into to ¼" coupling near the lid. Insert the 3 way brass valve into the nipple and connect the elbow tube fitting to the valve. Insert the other fitting in the ¼" coupling near the inlet and connect the tubing to fittings.
- 1.8 For multi-housing models, insert the ½" x ¼" reducer bushings into the couplings located on the influent and effluent manifolds. Thread the nipple into the reducer bushing on the influent manifold and connect the 3 way valve to the nipple. Connect one fitting to the valve and the other to the second reducer bushing and connect the tubing to fittings. Plug all ¼" gauge ports (two per housing).

2.0 OPERATION

Flow enters the filter and passes through the screen depositing debris upon the inside of the filter cartridge. Filter operation continues until a sufficient amount of debris is collected to create an 8 PSI pressure differential between the inlet and outlet of the filter. When an 8 PSI pressure differential has been reached, the filter should be flushed by opening the flush valve for 20 to 30 seconds. If after flushing the filter the pressure drop still exists, removal of the cartridge and manual cleaning of the mesh may be necessary. Manual cleaning of the mesh can be aided by use of a pressure hose or brush.

3.0 INSTRUCTION MANUAL

The Maxi-Clean Screen Filter is designed for applications where durability, performance and economy are of great importance. These filters are constructed of heavy gauge steel which is fusion epoxy lined providing excellent environmental protection insuring a long useful life. Simple installation and operation make this filter ideal for use in primary or secondary applications.

Maxi-Clean Screen Filters feature a strong filter cartridge made of non-corrosive PVC with polymeric screen mesh available in 40k, 80, 100, 150 and 200 mesh sizes. The oversized cartridge provides maximum filtration, minimal cleaning and a low pressure loss of only 2 PSI!

Listed are the components with their associated item number used in the figures below.

ITEM #	QTY	DESCRIPTION
1	2	U-CHANNEL END SEALS
2	1	SLOTTED PVC CARTRIDGE
3	1	INTERMEDIATE LINER
4	1	POLYMETRIC SOCK
5	1	LID GASKETS
6	1	LID ASSEMBLY
7	1	REDUCER BUSHING
8	1	NIPPLE
9	1	BRASS BALL VALVE
10	3	NUT-EYE ½"-13
11	3	WASHER FLAT ½"
12	3	BOLT HEX ½"-13 X 2-¾"
13	1	PRESSURE GAUGE ASSEMBLY

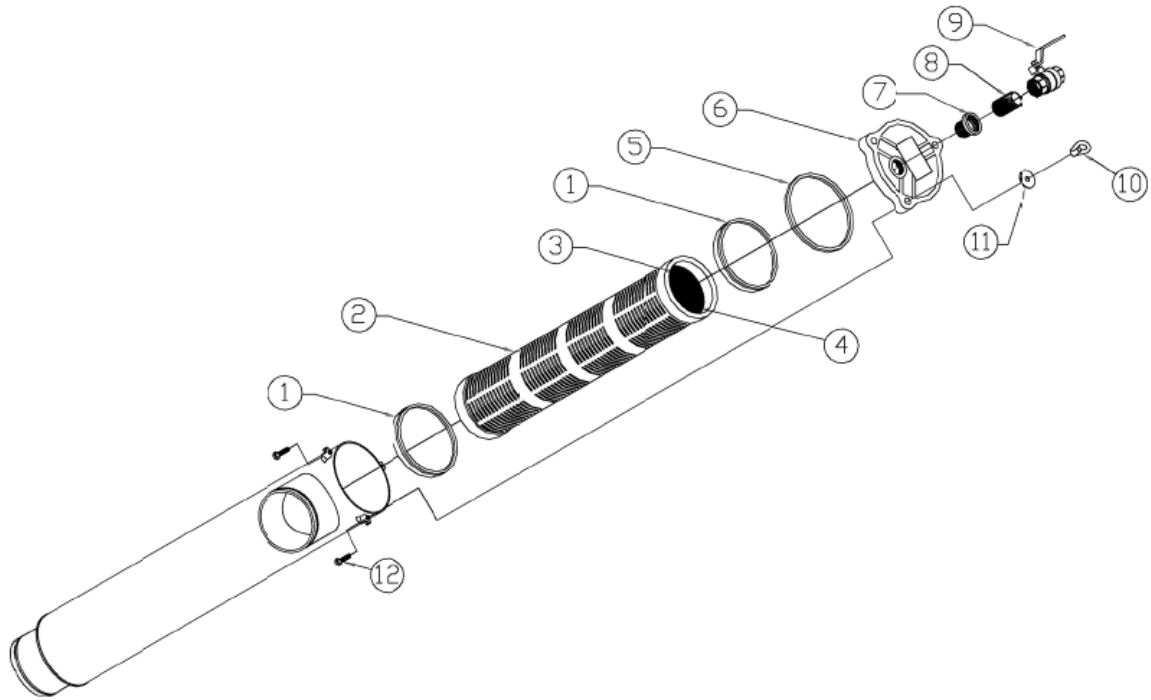


FIGURE 1: MCS ASSEMBLY

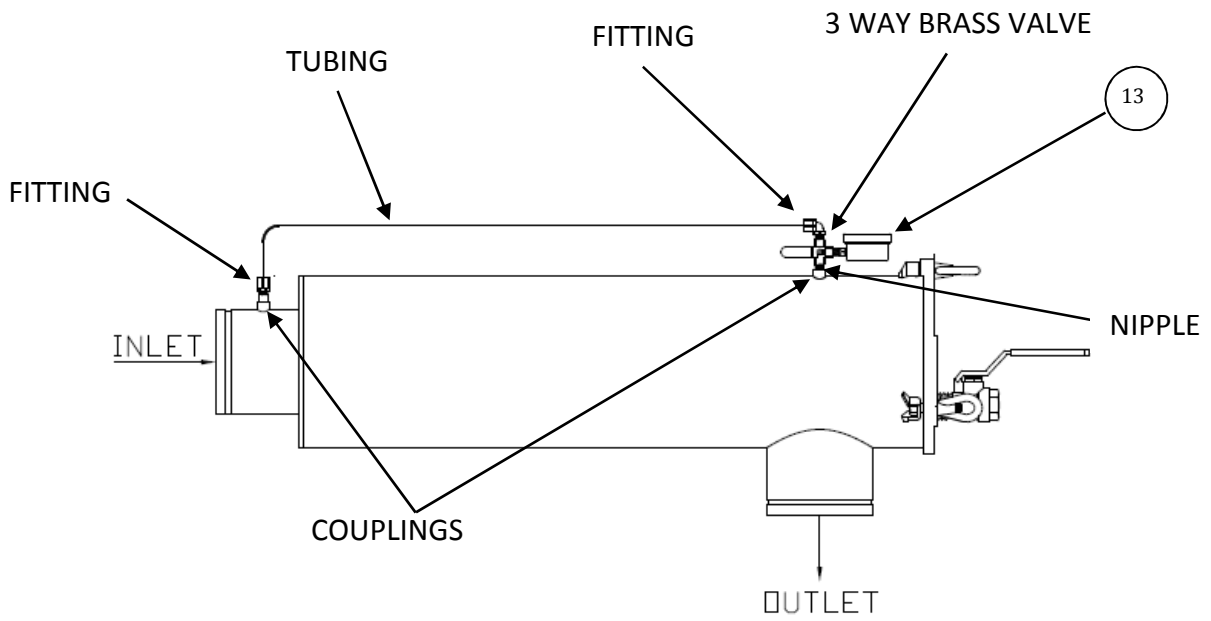


FIGURE 2: PRESSURE GAUGE ASSEMBLY FOR SINGLE HOUSING SYSTEM