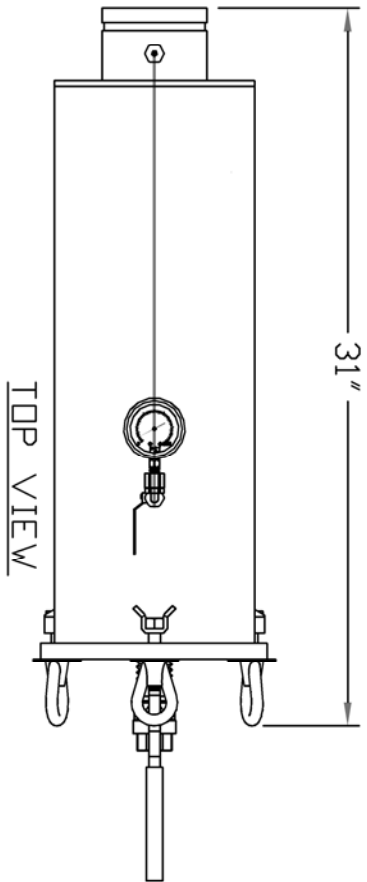
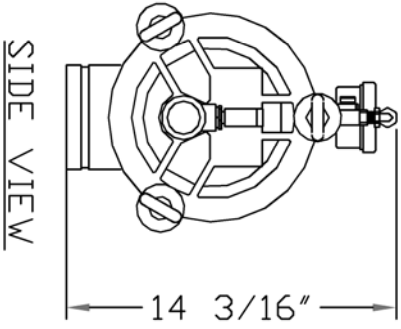
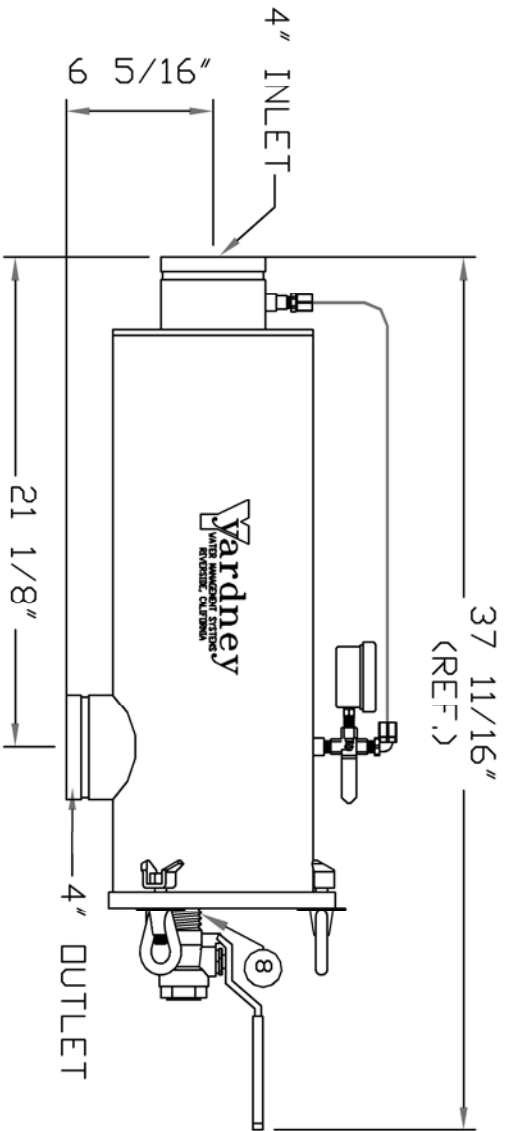


MCS4-V1 MAXI-CLEAN SCREEN FILTER



MODEL	MAX FLOW GPM	MAX PRESSURE PSI
MCS 4	400	120

Cartridge Mesh Options:
40, 80, 100, 150, 200



THIS DRAWING, INCLUDING THE INFORMATION IT CONTAINS, IS CONFIDENTIAL, PROPRIETARY, AND IS THE PROPERTY OF YARDNEY WATER MANAGEMENT, INC. IT IS SUBMITTED ONLY IN CONNECTION WITH THE TRANSACTION TO WHICH IT PERTAINS AND MUST NOT BE REPRODUCED OR TRANSMITTED IN ANY FORM OR BY ANY MEANS, ELECTRONIC OR MECHANICAL, INCLUDING PHOTOCOPYING, RECORDING, OR BY ANY INFORMATION STORAGE AND RETRIEVAL SYSTEM. THE DRAWING IS NOT TO BE COPIED AND MUST BE RETURNED UPON REQUEST. COPYRIGHT YARDNEY WATER MANAGEMENT SYSTEMS, 1994.

CONTAINS	
DATE	
ISSUE NO.	MCS4-V1
ISSUE BY	SCREEN FILTER
DATE	
DRAWING NO.	9075004011
LOCATION	SYSTEMS\MCS\MCS4-1V
REV.	

NO.	REVISION	BY	DATE