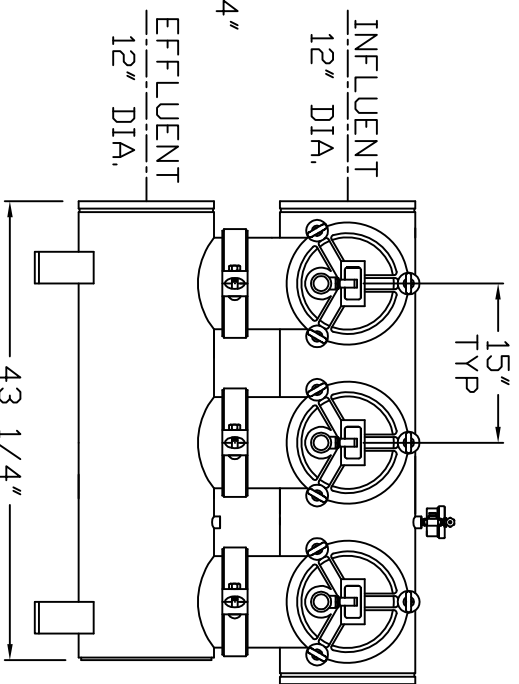
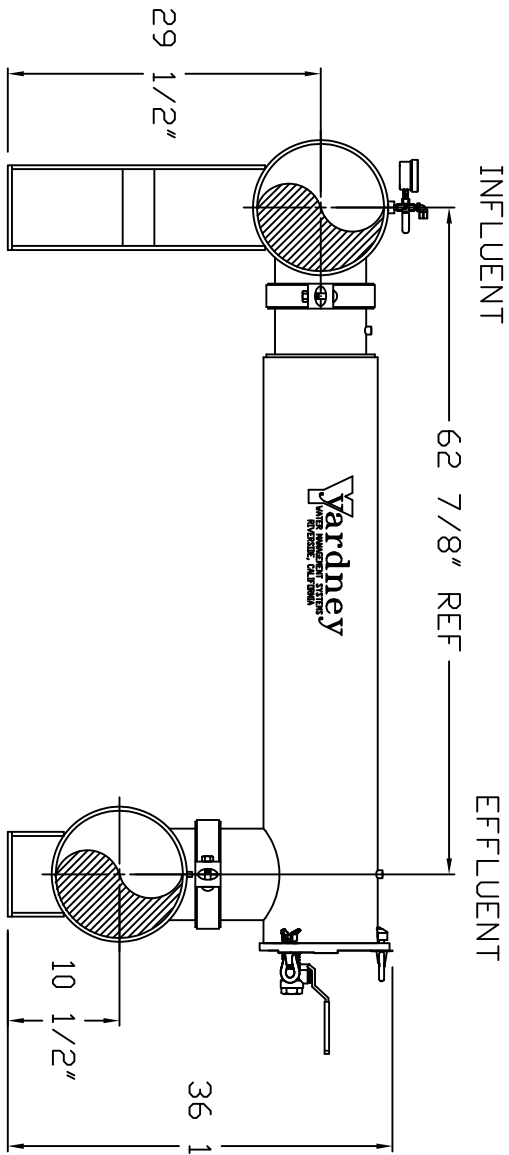


MAXI-CLEAN MCS 8-3

NOTES:

1. DESIGN FLOW RATE: 3400 GPM (MAX.).
2. OPERATING PRESSURE: 100 PSI (MAX.)



THIS DRAWING INCLUDES THE INFORMATION REQUIRED TO CONSTRUCT AND INSTALL THE SYSTEM. THE INFORMATION IS THE PROPERTY OF YARDNEY WATER MANAGEMENT, INC. IT IS FORWARDED ONLY IN CONNECTION WITH THE PURCHASE OF THE SYSTEM. IT IS NOT TO BE REPRODUCED OR USED IN ANY OTHER MANNER WITHOUT THE WRITTEN PERMISSION OF YARDNEY WATER MANAGEMENT, INC. ANY CHANGES TO THIS DRAWING MUST BE APPROVED BY YARDNEY WATER MANAGEMENT, INC. AND MUST BE RETURNED UPON REQUEST.		Yardney WATER MANAGEMENT SYSTEMS REVERSHIRE, CALIFORNIA	
APPROVALS DATE DESIGNED BY: JTC/2014 CHECKED BY: JTC/2014 DRAWN BY: JTC/2014 REVISIONS:		DO NOT SCALE DWG. MAXI-CLEAN MCS 8-3 SIZE DRAWING NO. 9075008031 REV. D	
A	CHANGED PORT LOCATION/LQTY.	BY: JTC	DATE: 10/1/14
B	INFLUENT ONLY PIPE END CHG TO VERTICAL	BY: JTC	DATE: 10/1/14
C	REPLACED TUBING 3/4" W/1/2" WELD TABS	BY: JTC	DATE: 10/1/14
D	SHOWN W/CLAMP	BY: JTC	DATE: 10/1/14
E	INFLUENT ONLY PIPE END CHG TO VERTICAL	BY: JTC	DATE: 10/1/14