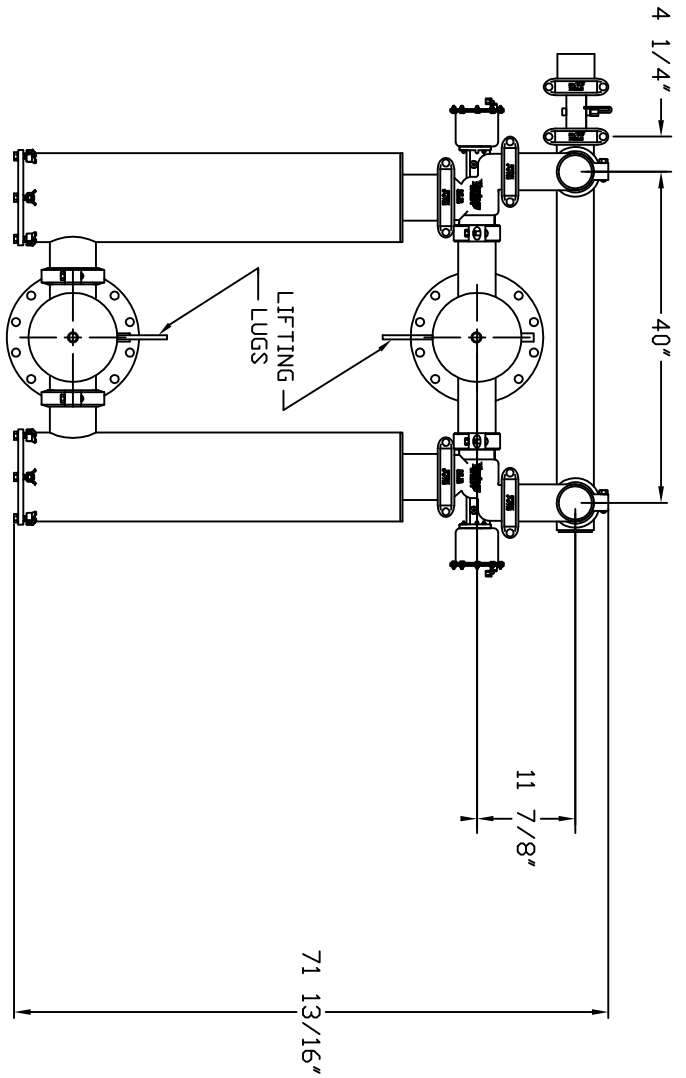


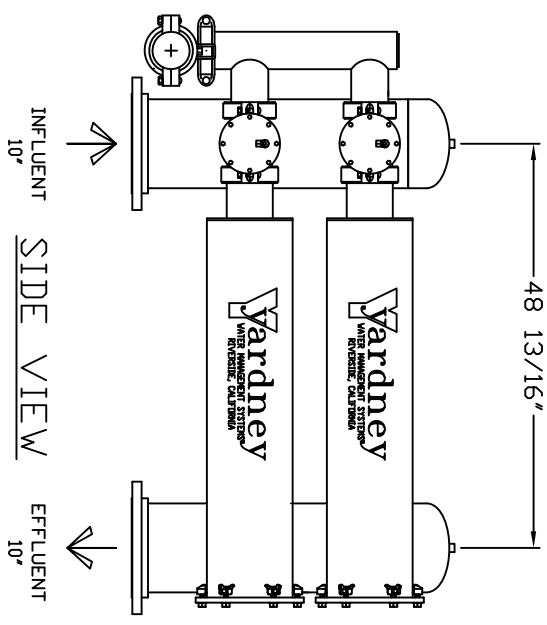
# GOLF /TURF MAXI-FLUSH 10-4A VERTICAL

## NOTES:

1. DESIGN FLOW RATE: 2000 GPM (MAX.)
2. OPERATING PRESSURE: 150 PSI (MAX.)
3. CARTRIDGE:  
42" MIN. CLEARANCE REQUIRED FOR CARTRIDGE REMOVAL.

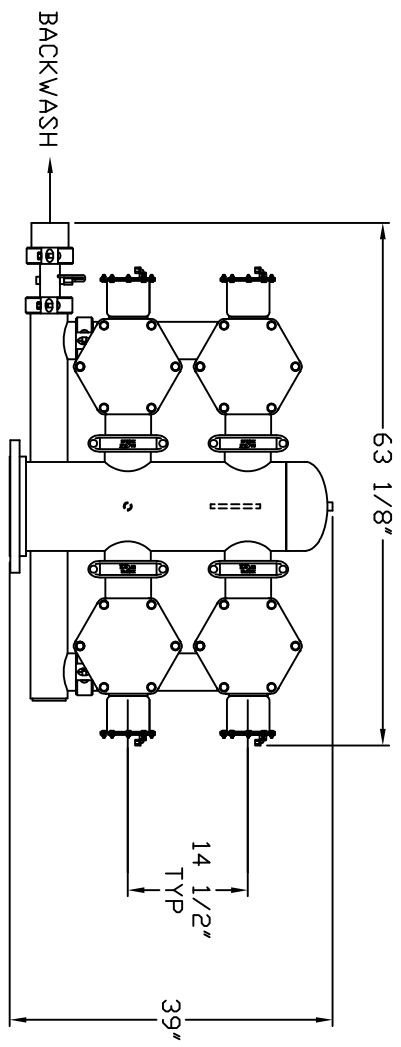


PLAN VIEW



INFLUENT 10"  
EFFLUENT 10"

SIDE VIEW



ELEVATION

BACKWASH

THIS DRAWING, INCLUDING THE INFORMATION IT CONTAINS, IS CONFIDENTIAL, PROPRIETARY, AND IS THE PROPERTY OF YARDEY WATER MANAGEMENT SYSTEMS, INC. IT IS SUBMITTED IN CONNECTION WITH A CONTRACT AND IS NOT TO BE REPRODUCED OR USED IN ANY OTHER MANNER DETRIMENTAL TO THE INTERESTS OF YARDEY WATER MANAGEMENT. THE DRAWING IS NOT TO BE COPIED AND MUST BE RETURNED UPON REQUEST.



SYN	REVISIONS	BY	DATE	APP	APPROVALS	DATE
C	WELD TABS ON MANWAY RINGS	DTC	10-12	APP	APPROVED BY:	11/13/04
B	CARTRIDGE 40 TO 42 PER CART. IN SEAL DTC	DTC	6-04	APP	APPROVED BY:	
A	REPLACED 3/4" NIPPLES WITH 1/2" COUPLINGS	DTC	1-04	APP	APPROVED BY:	

DRAWN BY:	JDB	11/13/04
CHECKED BY:		
APPROVED BY:		
ARCHITECTURAL:		
SCALE:		
SIZE:	DRAWING NO. 9080210004	REV. C
DATE:	11/13/04	
SYSTEM:	SYSTEM/WFS/VERT	SHEET 1 OF 1