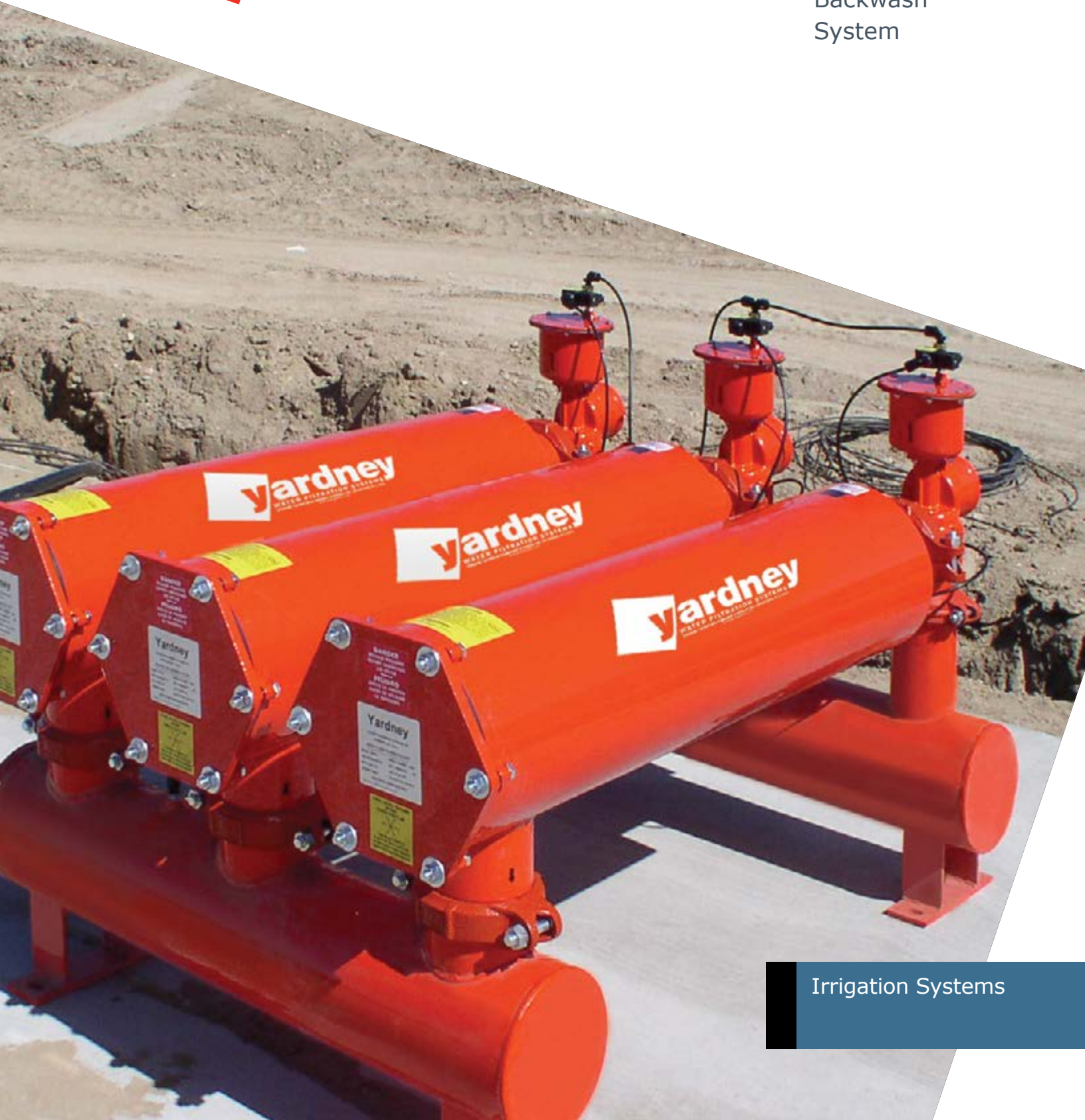




Maxi-Flush™
Screen Filters

Automatic
Backwash
System



Irrigation Systems

Maxi-Flush™ Screen Filters

Time.
Quality.
Experience.
Knowledge.

Yardney Maxi-Flush automatic backwash screen filters provide the ultimate in high rate screen filter performance. Built for durable trouble-free service, the filter and cartridge have no internal moving parts to wear out, break down or replace. The field changeable stainless steel filter cartridge requires no maintenance and is constructed with burst strength in excess of 400 psi.

Maxi-Flush Screen Filters feature a replaceable cartridge and screen mesh that ensures consistent and reliable filtration.



Applications

- Removal of algae, slime or other organic contaminant as well as sand, rock, grit and other inorganic contaminants with fine filtration down to 200 mesh or 75 microns
- 100 psi standard operating pressure (high pressure systems available)
- Flow ranges from 250 gpm
- High concentrations of algae and other organic materials
- Large turf or golf course irrigation

Advantages

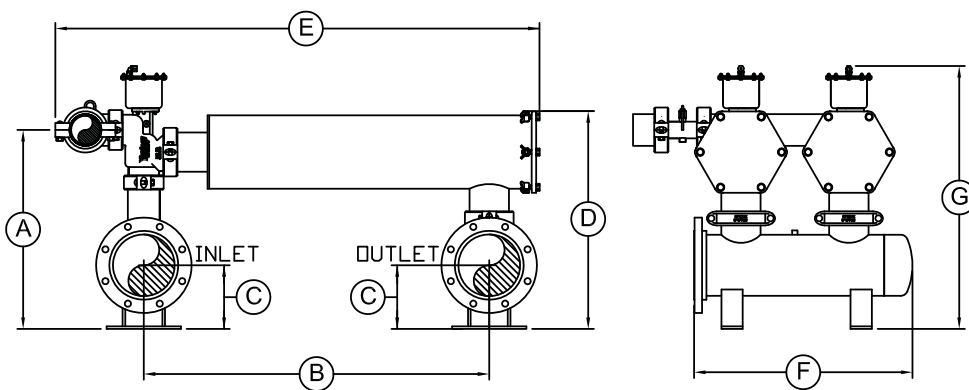
- Heavy duty, durable and low-cost backwashable welded stainless steel wedgewire screen filter
- Rugged, field changeable, washable and replaceable welded stainless steel wedgewire filter mesh available in 40, 80, 100, 150, 200 mesh
- Wedgewire screen cartridge produces long run times between backwash cycles
- Backwash automatically initiated by elapsed time or pressure differential
- Optional manual or automatic flush valves provide a quick and easy flush for intermittent cleaning between a full-cartridge clean event.
- No moving parts to wear out
- Yardney easy-entry lid closure
- Available in welded carbon steel
- 3M Scotchkote® 134 fusion bonded epoxy coating on interior surfaces
- Exterior of housing is coated with UV stabilized polyester powder coat for longer product life and greater protection from the environment
- Optional stainless steel 304 or 316 housing and interconnecting piping (special order) replaces standard 3M Scotchkote® 134 except on lid
- Made in USA

SPECIFICATIONS | MAXI-FLUSH | Horizontal

Model	Number of Housings	Maximum Flow		Filtration Surface Area (total sq ft)	Backwash Flow Rate (per housing)		Maximum Pressure	Inlet/Outlet	Flush Port
		gpm	m ³ /hr		gpm	m ³ /hr			
MFS 6-2	2	250	57	4.6	60	14	100 psi	4"	2"
MFS 8-2	2	500	114	6.7	80	18	100 psi	6"	2"
MFS 8-3	3	750	170	10.1	80	18	100 psi	6"	2"
MFS 10-2	2	1000	227	16.0	190	43	100 psi	8"	4"
MFS 10-3	3	1500	341	24.0	190	43	100 psi	8"	4"
MFS 10-4	4	2000	455	32.0	190	43	100 psi	10"	4"
MFS 10-5	5	2500	568	40.0	190	43	100 psi	10"	4"
MFS 10-6	6	3000	682	48.0	190	43	100 psi	12"	4"
MFS 10-7	7	3500	795	56.0	190	43	100 psi	12"	4"
MFS 10-8	8	4000	909	64.0	190	43	100 psi	14"	4"
MFS 10-9	9	4500	1023	72.0	190	43	100 psi	14"	4"
MFS 10-10	10	5000	1136	80.0	190	43	100 psi	14"	4"

DIMENSIONS | Horizontal

Model	A	B	C	D	E	F	G
MFS 6-2	18 9/16"	26 7/8"	6"	19 3/4"	42 5/8"	27 1/4"	29 7/16"
MFS 8-2	22 5/8"	24 1/8"	8"	25"	40 1/16"	27 1/4"	33 5/8"
MFS 8-3	22 5/8"	24 1/8"	8"	25"	40 1/16"	40 3/8"	33 5/8"
MFS 10-2	28 1/8"	48 13/16"	9"	30 3/4"	68 3/4"	30 7/8"	37 3/16"
MFS 10-3	28 1/8"	48 13/16"	9"	30 3/4"	68 3/4"	46 1/8"	37 3/16"
MFS 10-4	30 3/16"	48 13/16"	10"	32 13/16"	68 3/4"	62 3/8"	39 1/4"
MFS 10-5	30 3/16"	48 13/16"	10"	32 13/16"	68 3/4"	77 5/8"	39 1/4"
MFS 10-6	30 1/8"	48 13/16"	11"	32 3/4"	70 3/16"	111 11/16"	39 1/4"
MFS 10-7	30 1/8"	48 13/16"	11"	32 3/4"	70 3/16"	130 7/16"	39 1/4"
MFS 10-8	33 3/16"	48 13/16"	13"	35 13/16"	72 13/16"	149 1/2"	42 1/4"
MFS 10-9	33 3/16"	48 13/16"	13"	35 13/16"	72 13/16"	164 3/4"	42 1/4"
MFS 10-10	33 3/16"	48 13/16"	13"	35 13/16"	72 13/16"	180"	42 1/4"



Automatic Backwash Operation

The patented Yardney 3-way backwash valve controls the highly effective reverse flow backwashing of the Maxi-Flush system. During the brief backwashing cycle a portion of the clean water produced by the system is diverted to the filter housing undergoing backwashing. This flow of clean water frees contaminants from the cartridge while discharging these contaminants from the system and restoring the filter back to a clean filter condition. Each filter housing is sequentially backwashed until the entire system is clean.

Maxi-Flush
Screen Filters
Specifications

Standard assembly includes:

- Yardney easy-entry lid closure
- Filter element
- Valves
- Inlet and outlet manifolds
- Multiple housings include inlet and outlet manifolds and grooved couplings to connect all components

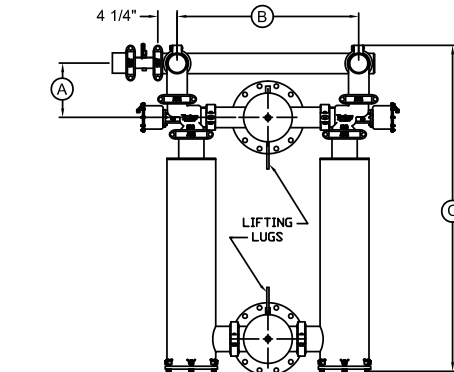
Available options:

- ASME code
- High pressure
- Solar package
- Custom filter station layout piping
- Available in purple for reclaim water applications
- Manual or automatic flush
- Stainless steel 304 or 316 housing and interconnecting piping (special order)*

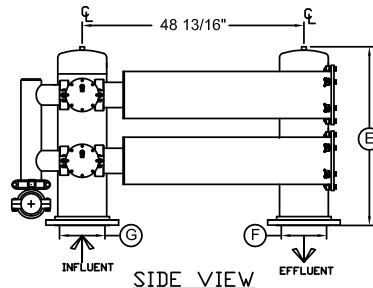
* Replaces standard 3M Scotchkote® 134 except on lid

SPECIFICATIONS MAXI-FLUSH Vertical									
Model	Number of Housings	Maximum Flow		Filtration Surface Area (total sq ft)	Backwash Flow Rate (per housing)		Maximum Pressure	Inlet/Outlet	Flush Port
		gpm	m ³ /hr		gpm	m ³ /hr			
MFSV 10-4	4	2000	455	32.0	190	43	100 psi	10"	4"
MFSV 10-5	5	2500	568	40.0	190	43	100 psi	10"	4"
MFSV 10-6	6	3000	682	48.0	190	43	100 psi	12"	4"
MFSV 10-7	7	3500	795	56.0	190	43	100 psi	12"	4"
MFSV 10-8	8	4000	909	64.0	190	43	100 psi	14"	4"
MFSV 10-9	9	4500	1023	72.0	190	43	100 psi	14"	4"
MFSV 10-10	10	5000	1136	80.0	190	43	100 psi	14"	4"

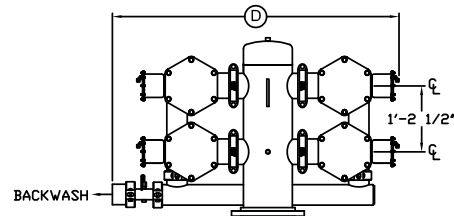
DIMENSIONS Vertical					
Model	A	B	C	D	E
MFSV 10-4	11 7/8"	40"	71 13/16"	63 1/8"	39"
MFSV 10-5	11 7/8"	40"	71 13/16"	63 1/8"	53 1/2"
MFSV 10-6	12 9/16"	42"	72 9/16"	64 3/4"	54 5/8"
MFSV 10-7	12 9/16"	42"	72 9/16"	64 3/4"	69 1/8"
MFSV 10-8	13 3/4"	43"	73 11/16"	65 3/4"	69 3/8"
MFSV 10-9	13 3/4"	43"	73 11/16"	65 3/4"	83 7/8"
MFSV 10-10	13 3/4"	43"	73 11/16"	65 3/4"	83 7/8"



PLAN VIEW



SIDE VIEW



ELEVATION



Made in USA

Phone: 951.656.6716
Toll-Free: 800.854.4788
Fax: 951.656.3867
info@yardneyfilters.com



www.yardneyfilters.com