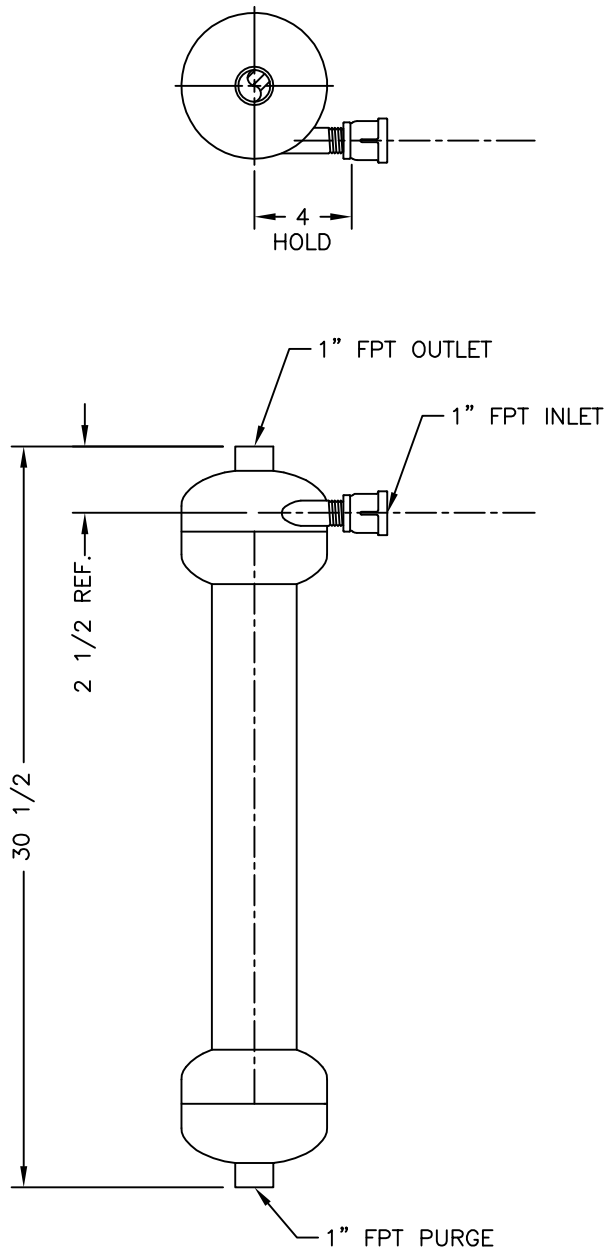


R10V SEPARATOR



FLOW RATE: 18 – 38 GPM.
 PRESSURE RATING: 150 PSI.
 SHIPPING WEIGHT: 26 LBS.

THIS DRAWING, INCLUDING THE INFORMATION IT CONTAINS, IS CONFIDENTIAL, PROPRIETARY AND IS THE PROPERTY OF YARDNEY WATER MANAGEMENT, INC. IT IS SUBMITTED ONLY IN CONNECTION WITH THE TRANSACTION TO WHICH IT PERTAINS AND MUST NOT BE USED IN ANY OTHER MANNER DETRIMENTAL TO THE INTERESTS OF YARDNEY WATER MANAGEMENT. THE DRAWING IS NOT TO BE COPIED AND MUST BE RETURNED UPON REQUEST. COPYRIGHT YARDNEY WATER MANAGEMENT SYSTEMS, 1994				Yardney WATER MANAGEMENT SYSTEMS RIVERSIDE, CALIFORNIA	
				APPROVALS: _____ DATE: _____ DRAWN BY: JMW/14/03	R10V SEPARATOR
APPROVED BY: _____	SIZE: _____	DRAWING NO: R10V	REV: _____		
ARCHITECTURAL SCALE: _____	USED ON: _____	SCALE: _____	DWG DIR: \SYSTEM\SEPARATOR\R\ SHEET 1 OF 1		
SYM	REVISIONS	BY	DATE	APP	