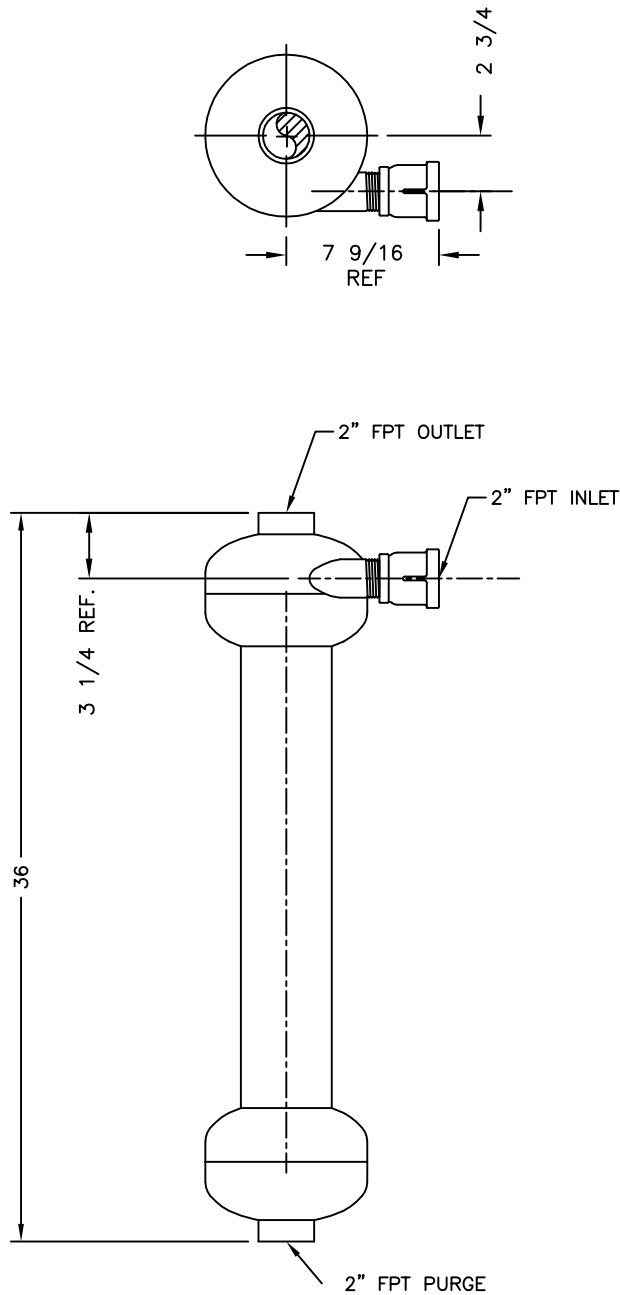


# R20V SEPARATOR



FLOW RATE: 63 – 120 GPM.  
 PRESSURE RATING: 150 PSI.  
 SHIPPING WEIGHT: 44 LBS.

THIS DRAWING, INCLUDING THE INFORMATION IT CONTAINS, IS CONFIDENTIAL, PROPRIETARY AND IS THE PROPERTY OF YARDNEY WATER MANAGEMENT, INC. IT IS SUBMITTED ONLY IN CONNECTION WITH THE TRANSACTION TO WHICH IT PERTAINS AND MUST NOT BE USED IN ANY OTHER MANNER DETRIMENTAL TO THE INTERESTS OF YARDNEY WATER MANAGEMENT. THE DRAWING IS NOT TO BE COPIED AND MUST BE RETURNED UPON REQUEST. COPYRIGHT YARDNEY WATER MANAGEMENT SYSTEMS, 1994				 WATER MANAGEMENT SYSTEMS RIVERSIDE, CALIFORNIA	
				APPROVALS: _____ DATE: _____ DRAWN BY: JMW/14/03 CHECKED BY: _____	<b>R20V SEPARATOR</b>
APPROVED BY: _____ ARCHITECTURAL SCALE: _____ USED ON: _____	SIZE: —	DRAWING NO: R20V	REV: A		
A WAS 38" UPDATED TO LITURATURE DIM. DTC 3-04 APP	BY DATE APP	SCALE: DWG DIR: \SYSTEM\SEPARATOR\R\ SHEET 1 OF 1			
SYM REVISIONS					