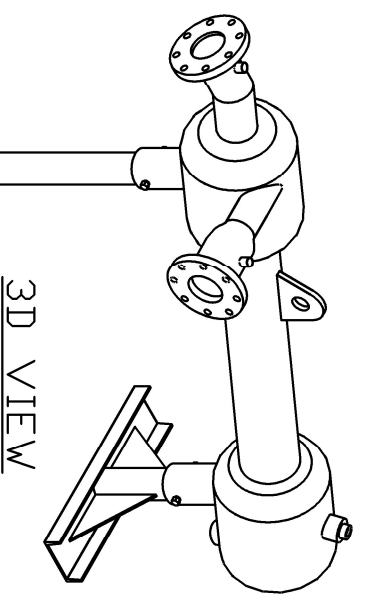
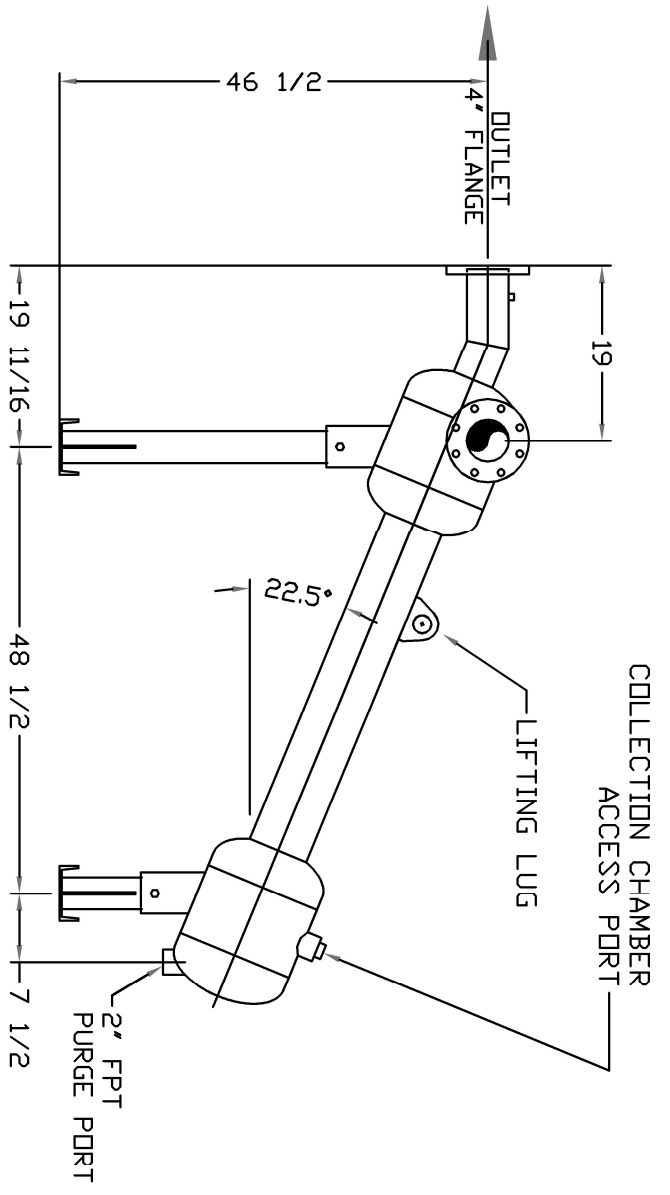
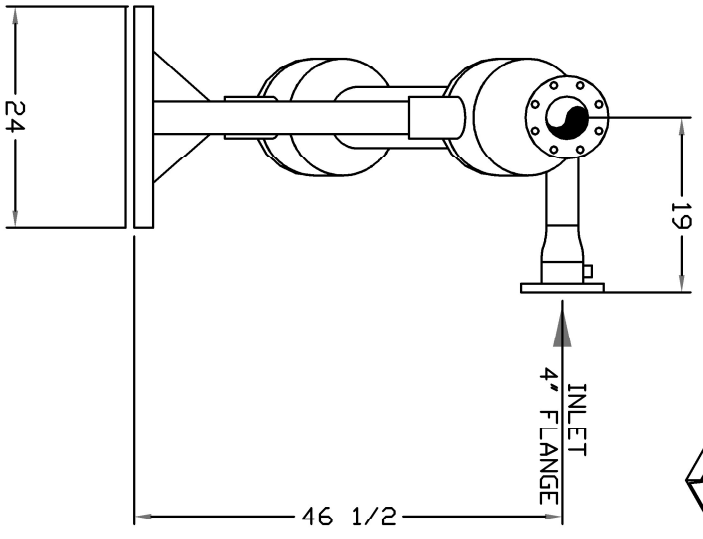


SEPARATOR R-40LA



3D VIEW



FLOW RATE: 200-525 GPM
 MAX PRESSURE: 150 PSI MAX
 MIN BACK PRESSURE: 15 PSI

<p>THIS DRAWING, INCLUDING THE INFORMATION IT CONTAINS, IS CONFIDENTIAL, PROPRIETARY AND IS THE PROPERTY OF YARDNEY WATER MANAGEMENT, INC. IT IS SUBMITTED ONLY IN CONNECTION WITH THE TRANSACTION TO WHICH IT PERTAINS AND MUST NOT BE USED IN ANY OTHER MANNER DETRIMENTAL TO THE INTERESTS OF YARDNEY WATER MANAGEMENT. THE DRAWING IS NOT TO BE COPIED AND MUST BE RETURNED UPON REQUEST. CDR\RIGHT YARDNEY WATER MANAGEMENT SYSTEMS, 1993</p>		<p>APPROVALS DATE DRAWN BY JMW/1/4/02 CHECKED BY APPROVED BY</p>	<p>SEPARATOR R40LA ANGLED</p>
<p>MANUFACTURING CHANGES</p>	<p>DTC 1-06</p>	<p>ARCHITECTURAL</p>	<p>SIZE DRAWING NO. 277500140</p>
<p>REVISIONS</p>	<p>BY DATE</p>	<p>USED IN</p>	<p>SCALE</p>
<p>SYM</p>	<p>APP</p>	<p>SCALE</p>	<p>REV. A</p>



Yardney
 WATER MANAGEMENT SYSTEMS
 RIVERSIDE, CALIFORNIA