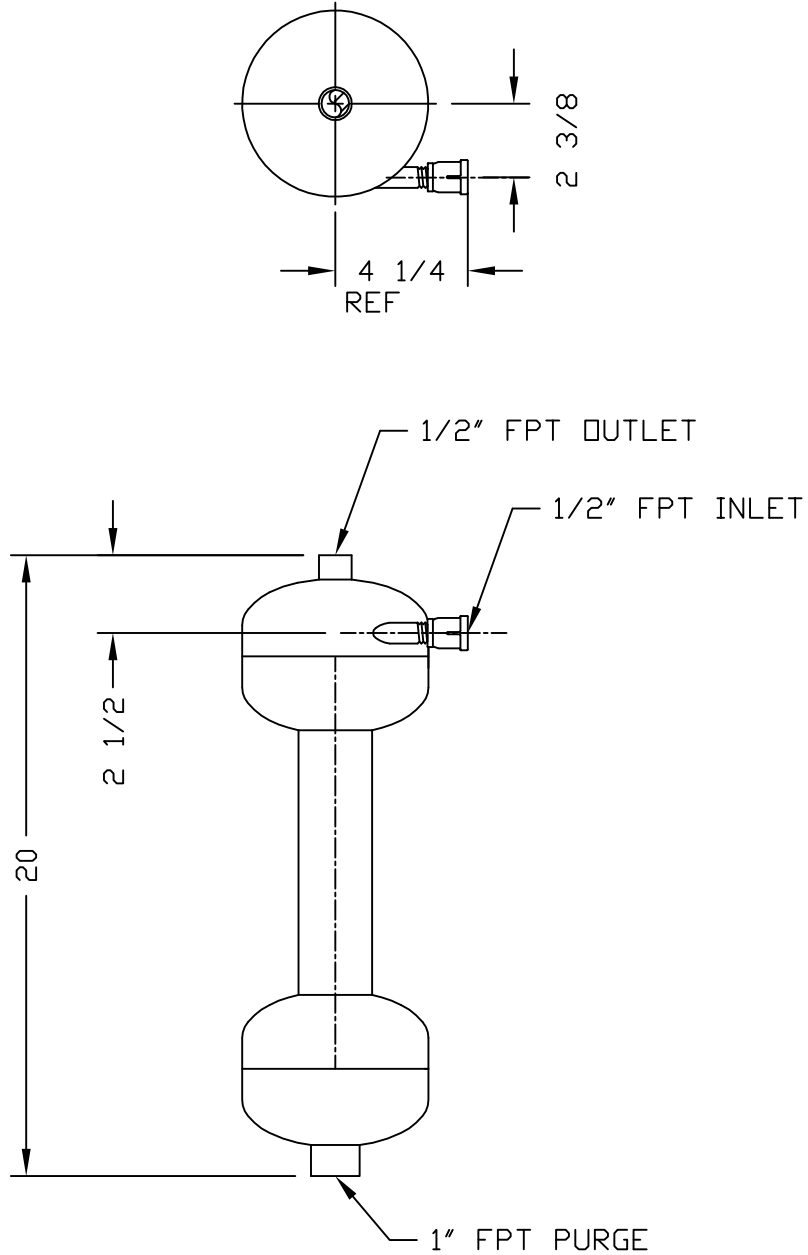



# R5V SEPARATOR



FLOW RATE: 4 - 10 GPM.  
 PRESSURE RATING: 150 PSI.  
 SHIPPING WEIGHT: 13LBS.

THIS DRAWING, INCLUDING THE INFORMATION IT CONTAINS, IS CONFIDENTIAL, PROPRIETARY, AND IS THE PROPERTY OF YARDNEY WATER MANAGEMENT, INC. IT IS SUBMITTED ONLY IN CONNECTION WITH THE TRANSACTION TO WHICH IT PERTAINS AND MUST NOT BE USED IN ANY OTHER MANNER DETRIMENTAL TO THE INTERESTS OF YARDNEY WATER MANAGEMENT. THE DRAWING IS NOT TO BE COPIED AND MUST BE RETURNED UPON REQUEST. COPYRIGHT YARDNEY WATER MANAGEMENT SYSTEMS, 1994.			CUSTOMER:	 <b>R5V SEPARATOR</b>
			USED ON:	
			DRAWN BY: JMW	
			DATE: 4/14/03	
	DRAWING NO: R5V	REV: A		
	LOCATION: \SYSTEM\SEPARATOR\R	SHEET 1 OF 1		
A	WAS 20 1/2" UPDATED TO LITURATURE DIM.	DTC 3-04		
NO.	REVISION	BY DATE		