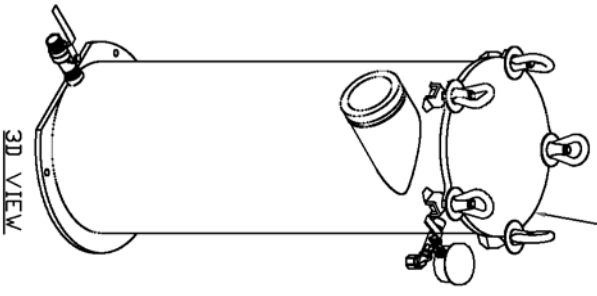


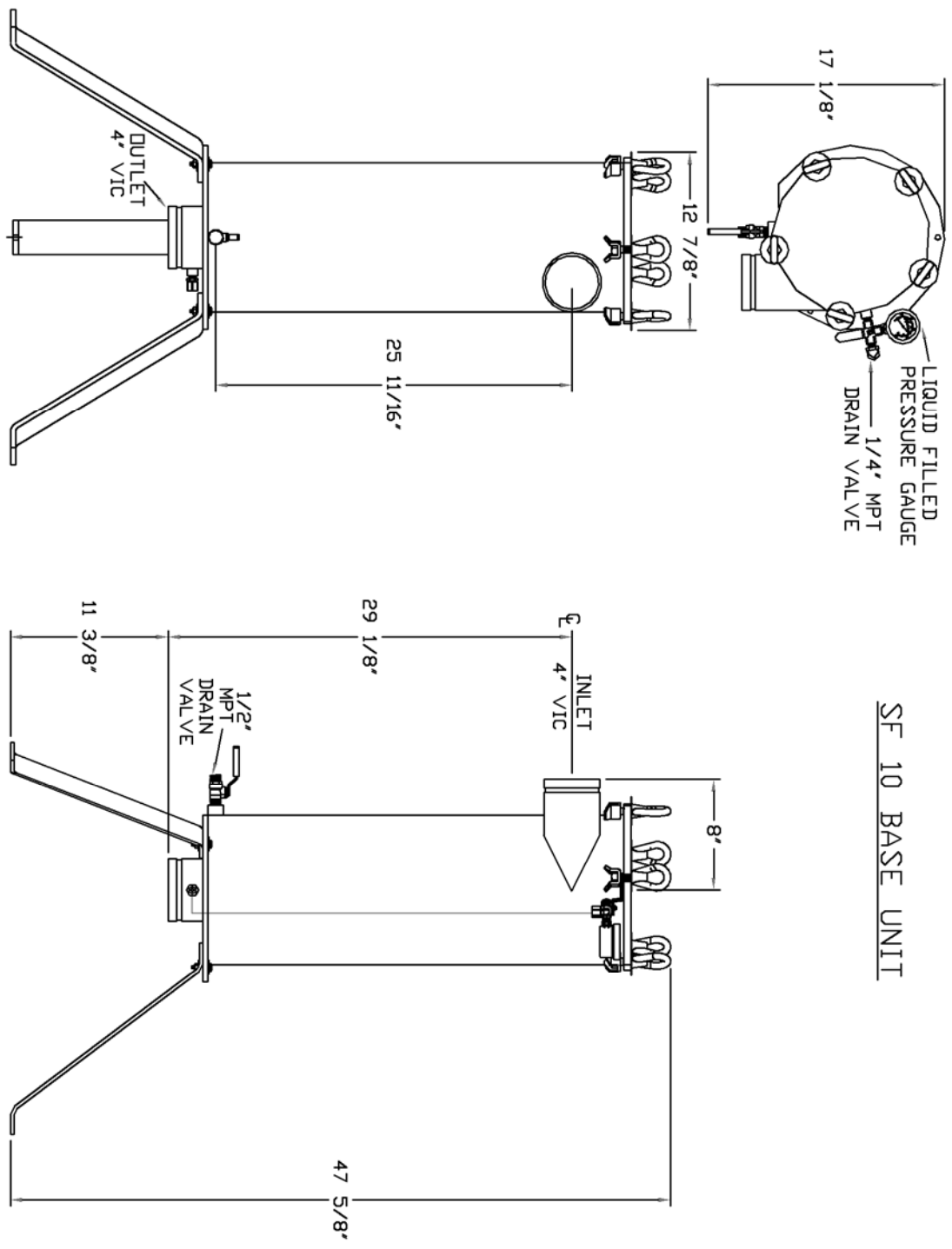
MODEL	MAX FLOW GPM	MAX PRESSURE PSI
SF 10	350	100

Cartridge Mesh Options:
40, 80, 100, 150, 200

1/2" x 12-1/4" x 12-1/4"
 LID



SF 10 BASE UNIT



NOTES: UNLESS OTHERWISE STATED:
 1. EPOXY COATED CARBON STEEL HOUSING.
 2. POLYPROPYLENE SCREEN CARTRIDGE.

Yardney SPIN FLOW SF 10	
REV	DATE
1	11/11/2010
2	11/11/2010
3	11/11/2010
4	11/11/2010
5	11/11/2010
6	11/11/2010
7	11/11/2010
8	11/11/2010
9	11/11/2010
10	11/11/2010
11	11/11/2010
12	11/11/2010
13	11/11/2010
14	11/11/2010
15	11/11/2010
16	11/11/2010
17	11/11/2010
18	11/11/2010
19	11/11/2010
20	11/11/2010
21	11/11/2010
22	11/11/2010
23	11/11/2010
24	11/11/2010
25	11/11/2010
26	11/11/2010
27	11/11/2010
28	11/11/2010
29	11/11/2010
30	11/11/2010
31	11/11/2010
32	11/11/2010
33	11/11/2010
34	11/11/2010
35	11/11/2010
36	11/11/2010
37	11/11/2010
38	11/11/2010
39	11/11/2010
40	11/11/2010
41	11/11/2010
42	11/11/2010
43	11/11/2010
44	11/11/2010
45	11/11/2010
46	11/11/2010
47	11/11/2010
48	11/11/2010
49	11/11/2010
50	11/11/2010
51	11/11/2010
52	11/11/2010
53	11/11/2010
54	11/11/2010
55	11/11/2010
56	11/11/2010
57	11/11/2010
58	11/11/2010
59	11/11/2010
60	11/11/2010
61	11/11/2010
62	11/11/2010
63	11/11/2010
64	11/11/2010
65	11/11/2010
66	11/11/2010
67	11/11/2010
68	11/11/2010
69	11/11/2010
70	11/11/2010
71	11/11/2010
72	11/11/2010
73	11/11/2010
74	11/11/2010
75	11/11/2010
76	11/11/2010
77	11/11/2010
78	11/11/2010
79	11/11/2010
80	11/11/2010
81	11/11/2010
82	11/11/2010
83	11/11/2010
84	11/11/2010
85	11/11/2010
86	11/11/2010
87	11/11/2010
88	11/11/2010
89	11/11/2010
90	11/11/2010
91	11/11/2010
92	11/11/2010
93	11/11/2010
94	11/11/2010
95	11/11/2010
96	11/11/2010
97	11/11/2010
98	11/11/2010
99	11/11/2010
100	11/11/2010