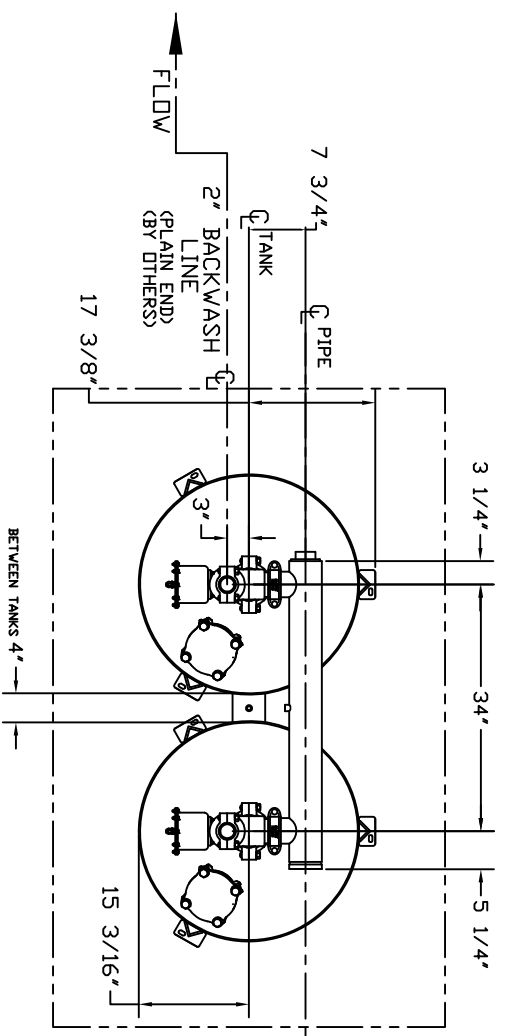


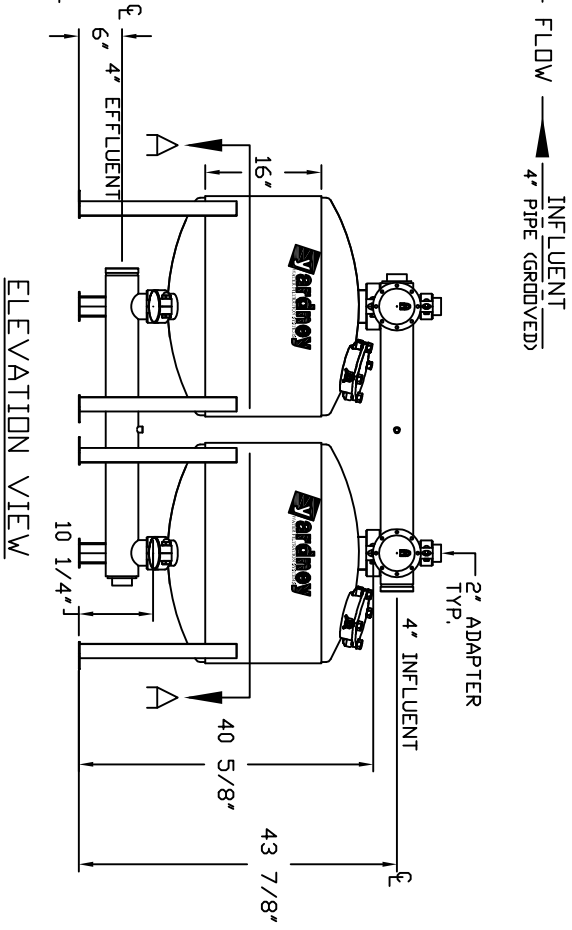
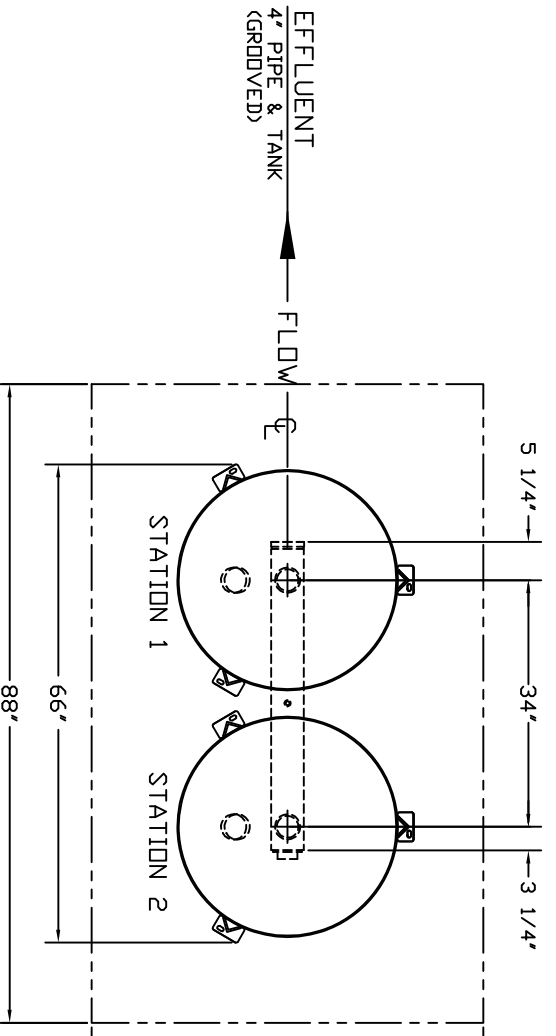
SM 3016-2A

NOTES:
 1. FLOW RATE DESIGN: 170-250 GPM.

UPPER (INLET) MANIFOLD LAYOUT



LOWER (OUTLET) MANIFOLD LAYOUT



(RECOMMENDED PAD DIMENSION)
 SECTION A-A

THIS DRAWING, INCLUDING THE INFORMATION IT CONTAINS, IS CONFIDENTIAL, PROPRIETARY AND IS THE PROPERTY OF YARDNEY WATER MANAGEMENT, INC. IT IS SUBMITTED ONLY IN CONNECTION WITH THE TRANSACTION TO WHICH IT PERTAINS AND MUST NOT BE USED IN ANY OTHER MANNER THAT IS DETRIMENTAL TO THE INTERESTS OF YARDNEY WATER MANAGEMENT. THE DRAWING IS NOT TO BE COPIED AND MUST BE RETURNED UPON REQUEST.



SYN	REV	DATE	BY	APP	USED ON	SCALE	SHEET
D		1-13	APP				1
C		11-12	APP				1
B		9-08	APP				1
A		7-04	APP				1

APPROVALS	DATE
BRAUN BY: K.A.T.	3/8/8
APPROVED BY:	
CONSTRUCTION:	NONE

FILTER SM 3016-2
 END FEED LAYOUT

SIZE DRAWING NO: 9000301602
 SCALE: NONE
 SHEET 1 OF 1