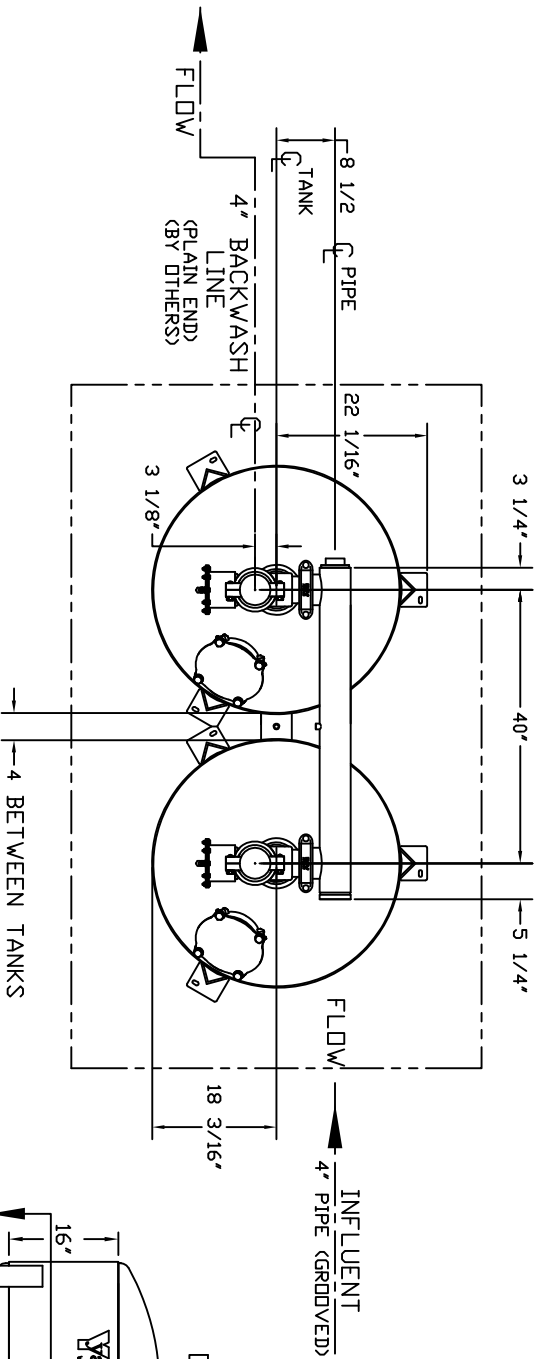


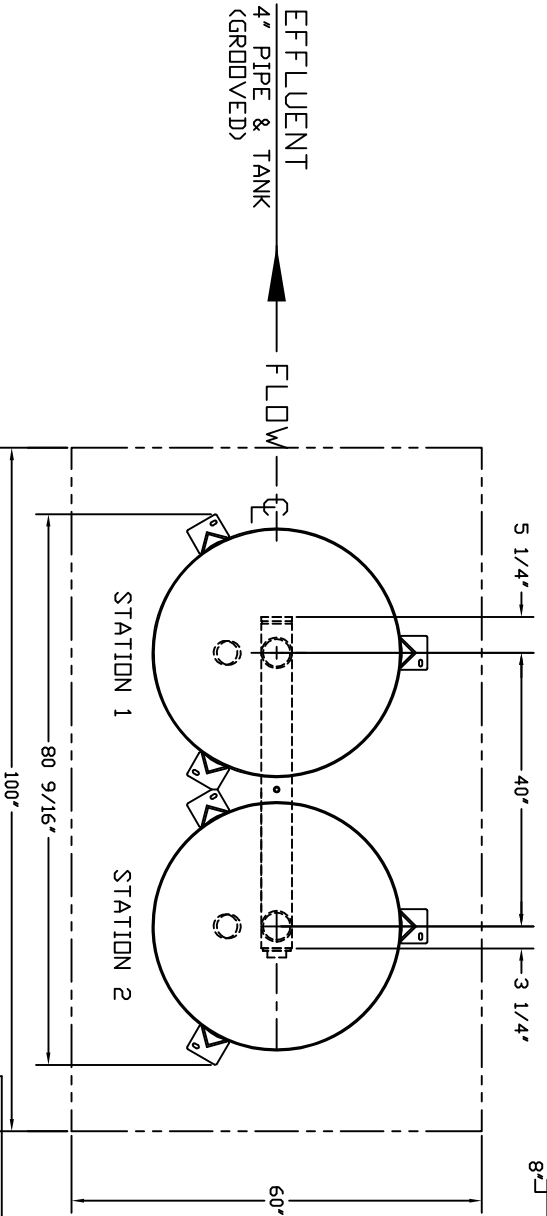
UPPER (INLET) MANIFOLD LAYOUT



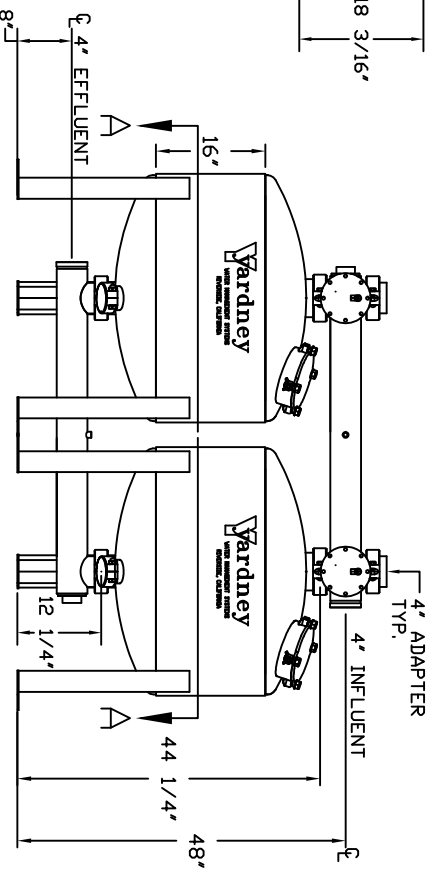
SM 3616-2A

NOTES:
1. FLOW RATE DESIGN: 238-350 GPM.

LOWER (OUTLET) MANIFOLD LAYOUT



ELEVATION VIEW



SECTION A-A

(RECOMMENDED PAD DIMENSION)

THIS DRAWING, INCLUDING THE INFORMATION IT CONTAINS, IS CONFIDENTIAL, PROPRIETARY AND IS THE PROPERTY OF YARDNEY WATER MANAGEMENT, INC. IT IS SUBMITTED ONLY IN CONNECTION WITH THE PROJECT AND IS NOT TO BE REPRODUCED OR USED IN ANY OTHER MANNER WITHOUT THE WRITTEN CONSENT OF YARDNEY WATER MANAGEMENT. THE DRAWING IS NOT TO BE COPIED, REPRODUCED, OR TRANSMITTED IN ANY FORM OR BY ANY MEANS, ELECTRONIC OR MECHANICAL, INCLUDING PHOTOCOPYING, RECORDING, OR BY ANY INFORMATION STORAGE AND RETRIEVAL SYSTEMS, 1994.

C WELD TABS ON MANWAY RINGS, ADDED NOTES.

DO NOT SCALE DWG.

APPROVALS DATE: FILTER SM 3616-2
END FEED LAYOUT

DESIGNED BY	DIC	7-04	APP	INSTRUCTIONAL	NONE
CHECKED BY					
APPROVED BY					
SIZE	DRAWING NO.		REV.		
D	9000361602		C		
SCALE	DWG DIMS		SYSTEMS	SAG (SM)	
			SHEET	1 OF 1	