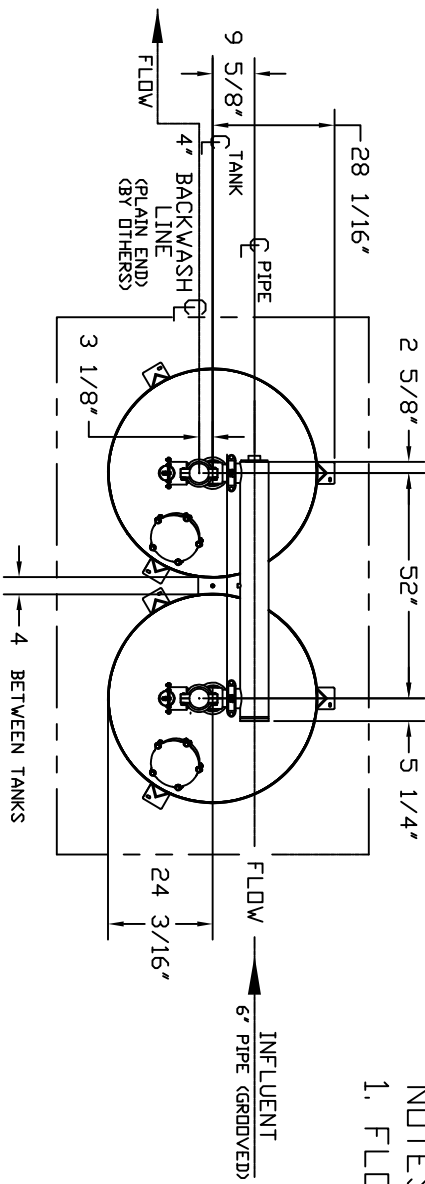
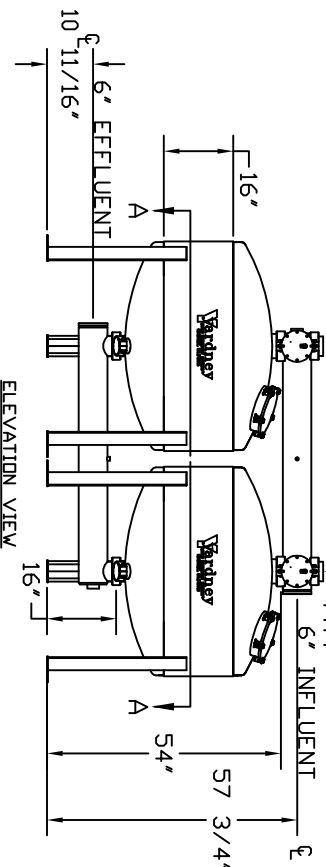
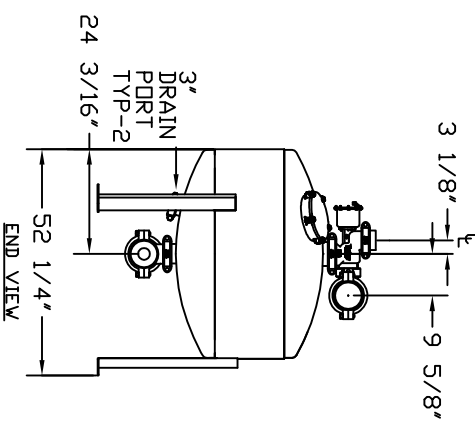
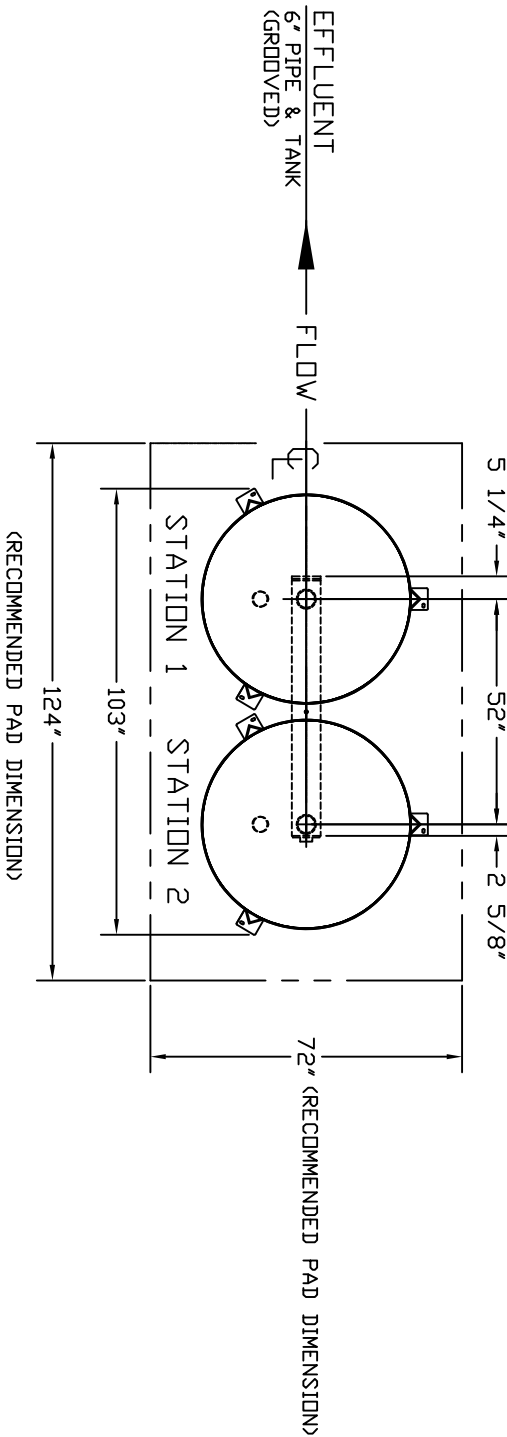


UPPER (INLET) MANIFOLD LAYOUT



LOWER (OUTLET) MANIFOLD LAYOUT



SM 4816-2A

NOTES:
 1. FLOW RATE DESIGN: 425-625 GPM.

THIS DRAWING, INCLUDING THE INFORMATION IT CONTAINS, IS CONFIDENTIAL, PROPRIETARY AND IS THE PROPERTY OF YARDENEY WATER MANAGEMENT, INC. IT IS SUBMITTED ONLY IN CONNECTION WITH THE ASSIGNED PROJECT AND IS NOT TO BE REPRODUCED, COPIED, OR TRANSMITTED IN ANY MANNER WITHOUT THE WRITTEN CONSENT OF YARDENEY WATER MANAGEMENT. THE DRAWING IS NOT TO BE COPIED AND MUST BE RETURNED UPON REQUEST. COPYRIGHT YARDENEY WATER MANAGEMENT SYSTEMS, 1994

C WELD TABS ON MANWAY RINGS. ADDED NOTES.

B DRAWN SECTION VIEW TO NEW DESIGN MANWAY

A DRAWN TO SCALE

REV	DATE	BY	APP	REVISIONS
1	11-12	APP	APP	APPROVED BY
2	9-08	APP	APP	APPROVED BY
3	8-04	APP	APP	APPROVED BY
4				APPROVED BY

APPROVALS DATE

SM 4816-2

FILTER END FEED LAYOUT

Yardney WATER MANAGEMENT SYSTEMS RIVERSIDE, CALIFORNIA

DD NOT SCALE DWG.

9000481602

1 OF 1