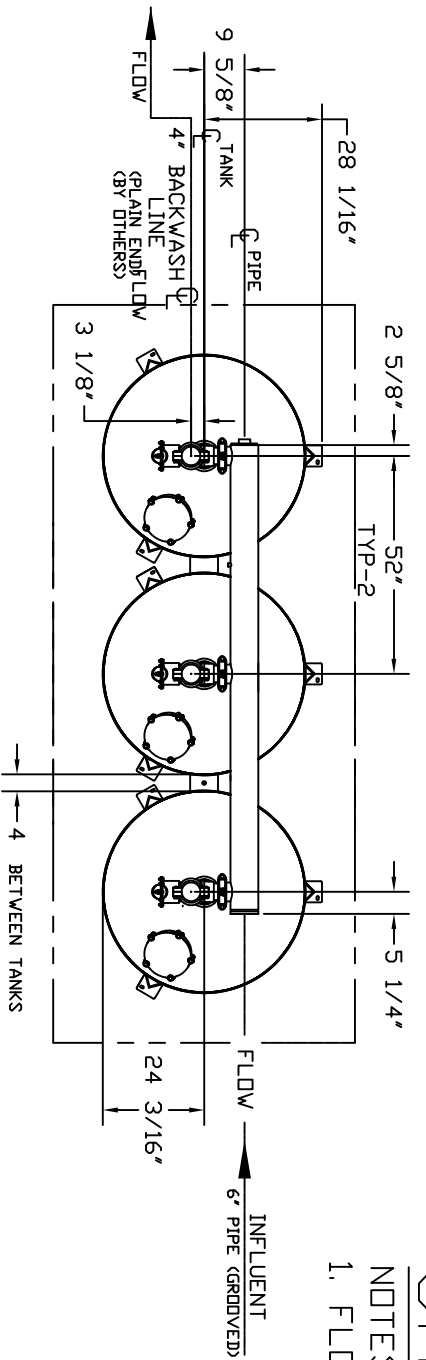
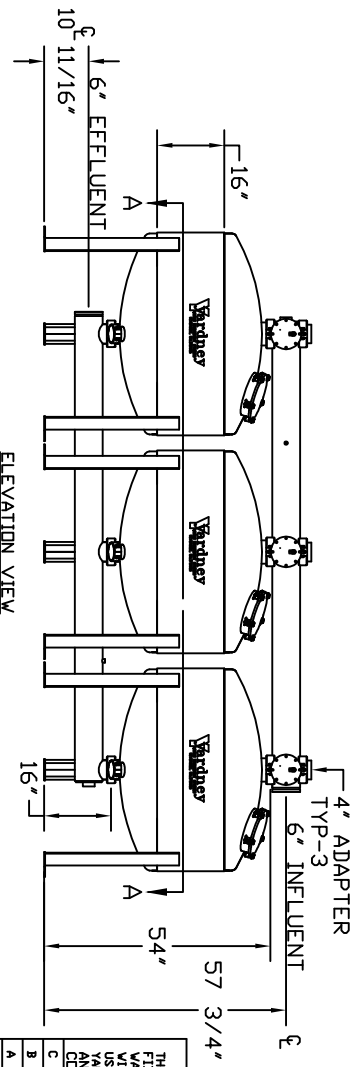
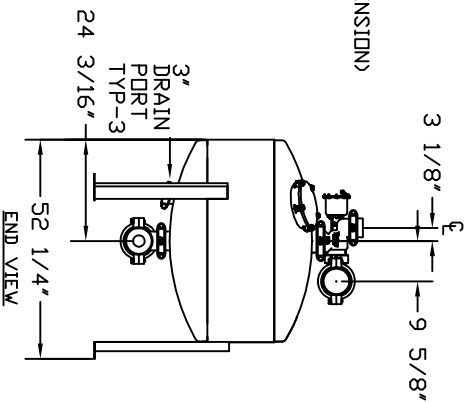
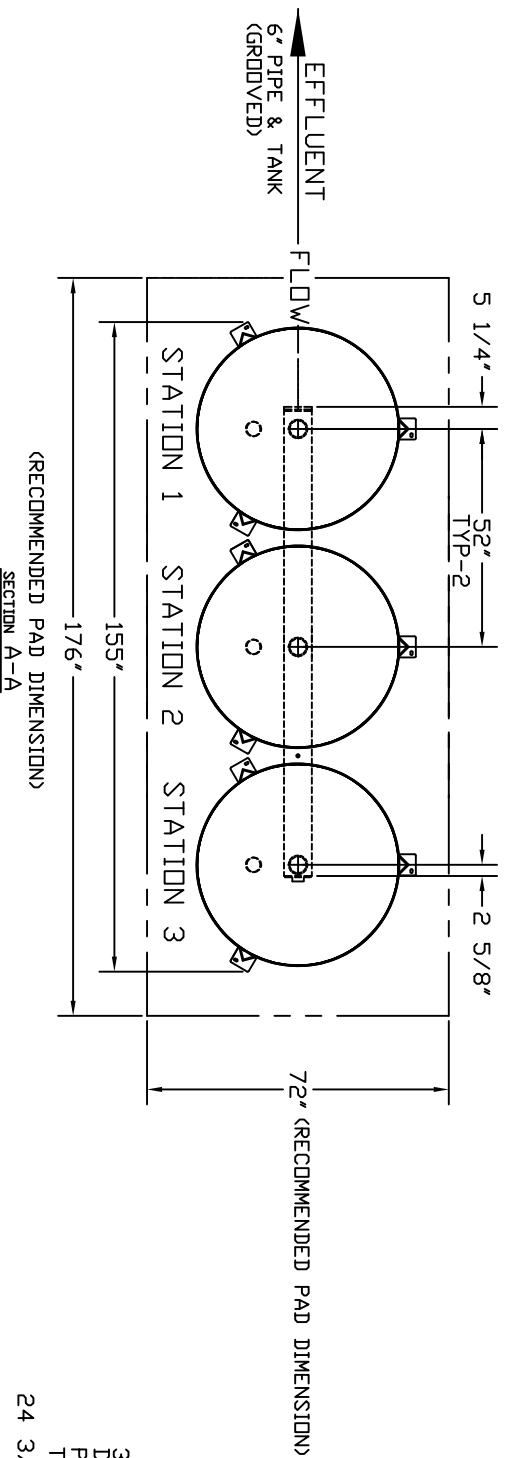


UPPER (INLET) MANIFOLD LAYOUT

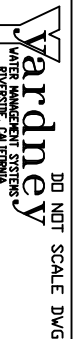


LOWER (OUTLET) MANIFOLD LAYOUT



SM 4816-3A
 NOTES:
 1. FLOW RATE DESIGN: 638-938 GPM.

THIS DRAWING, INCLUDING THE INFORMATION IT CONTAINS, IS CONFIDENTIAL, PROPRIETARY AND IS THE PROPERTY OF YARDNEY WATER MANAGEMENT SYSTEMS, INC. IT IS TO BE USED ONLY IN CONNECTION WITH THE TRANSACTION TO WHICH IT PERTAINS AND MUST NOT BE USED IN ANY OTHER MANNER DETRIMENTAL TO THE INTERESTS OF YARDNEY WATER MANAGEMENT SYSTEMS, INC. THIS DRAWING IS NOT TO BE COPIED AND MUST BE RETURNED UPON REQUEST. ANY REPRODUCTION OR TRANSMISSION OF THIS DRAWING WITHOUT THE WRITTEN PERMISSION OF YARDNEY WATER MANAGEMENT SYSTEMS, INC. IS STRICTLY PROHIBITED.		APPROVALS DATE DRAWN BY: [Signature] 4-11-94 CHECKED BY: [Signature] APPROVED BY: [Signature]	APPROVALS DATE FILTER SM 4816-3 END FEED LAYOUT
A	REVISIONS	BY DATE	REV
B	DRAWN TO SCALE	DIC 8-04 APP	D
C	WELD TABS ON MANWAY RINGS, ADDED NOTES.	DTD 11-12 APP	C
D	DRAWN SECTION VIEW TO NEW DESIGN MANWAY	DTD 9-08 APP	C
SM			1 OF 1



SCALE: NONE
 PLOT INFO: SYSTEMS\YAG (SM)
 SHEET 1 OF 1