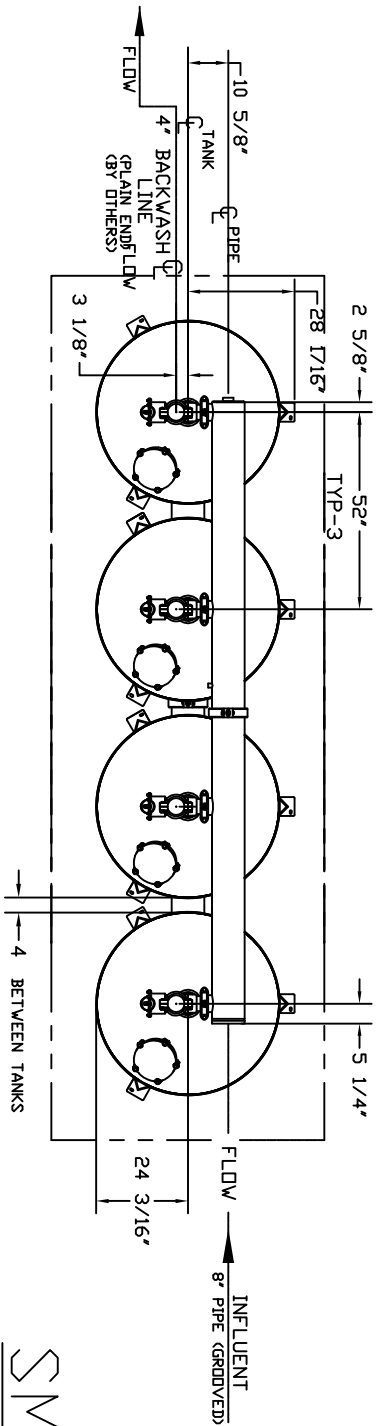
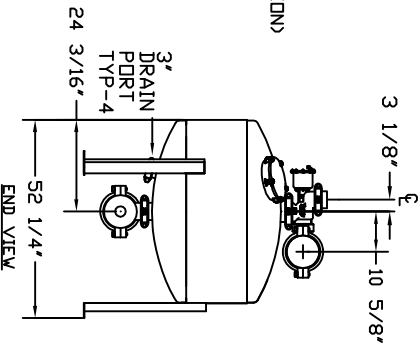
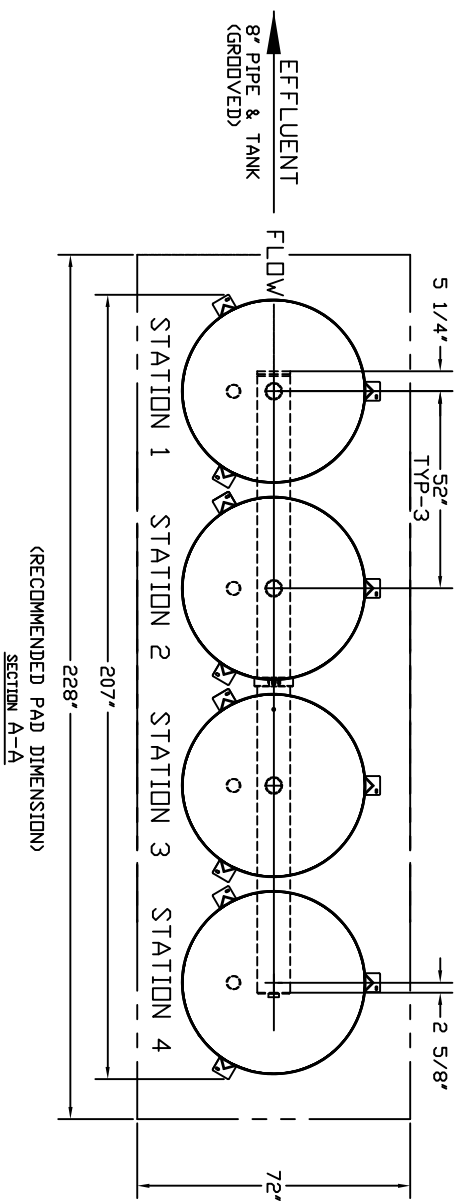


UPPER (INLET) MANIFOLD LAYOUT

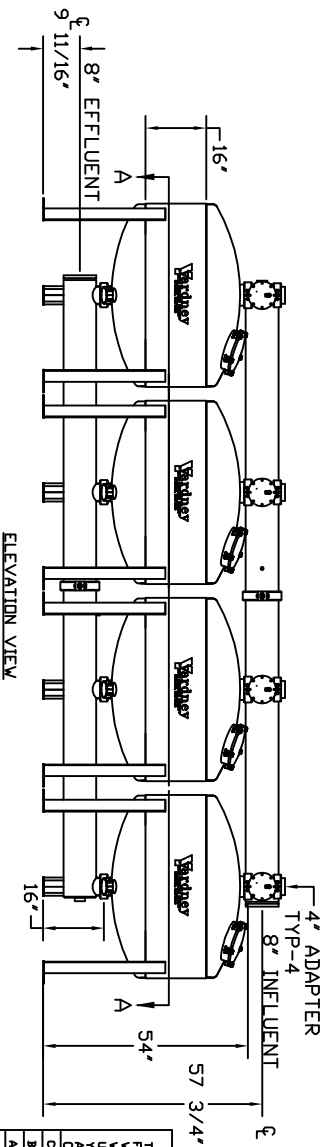


LOWER (OUTLET) MANIFOLD LAYOUT



NOTES:
1. FLOW RATE DESIGN: 850-1,250 GPM.

SM 4816-4A



ELEVATION VIEW

<p>THIS DRAWING INCLUDING THE INFORMATION IT CONTAINS IS CONFIDENTIAL, PROPRIETARY AND IS THE PROPERTY OF YARDAEY WATER MANAGEMENT, INC. IT IS SUBMITTED ONLY IN CONNECTION WITH THE TRANSACTIONS TO WHICH IT PERTAINS AND MUST NOT BE REPRODUCED OR TRANSMITTED IN ANY FORM OR BY ANY MEANS, AND MUST BE RETURNED UPON REQUEST. THE DRAWING IS NOT TO BE COPIED OR REPRODUCED IN ANY MANNER WITHOUT THE WRITTEN PERMISSION OF YARDAEY WATER MANAGEMENT, INC. APPROVED FOR THE PROJECT BY: DATE: 11-12-1994</p>		<p>APPROVALS DATE</p> <p>DESIGNED BY: DATE: 11-12-1994</p> <p>CHECKED BY: DATE: 11-12-1994</p> <p>IN CHARGE BY: DATE: 11-12-1994</p>
<p>REVISIONS</p> <p>A DRAWN TO SCALE</p> <p>B DRAWN TO SCALE</p>		<p>DATE: 8-04-1994</p> <p>BY: DTC</p>
<p>SMW</p>		<p>DATE: 9-08-1998</p> <p>BY: APP</p>
<p>DD NOT SCALE DWG.</p> <p>Yardney WATER MANAGEMENT SYSTEMS RIVERSIDE, CALIFORNIA</p> <p>SM 4816-4</p> <p>END FEED LAYOUT</p>		<p>DATE: 11-12-1994</p> <p>BY: APP</p>
<p>9000481604</p>		<p>DATE: 11-12-1994</p> <p>BY: APP</p>