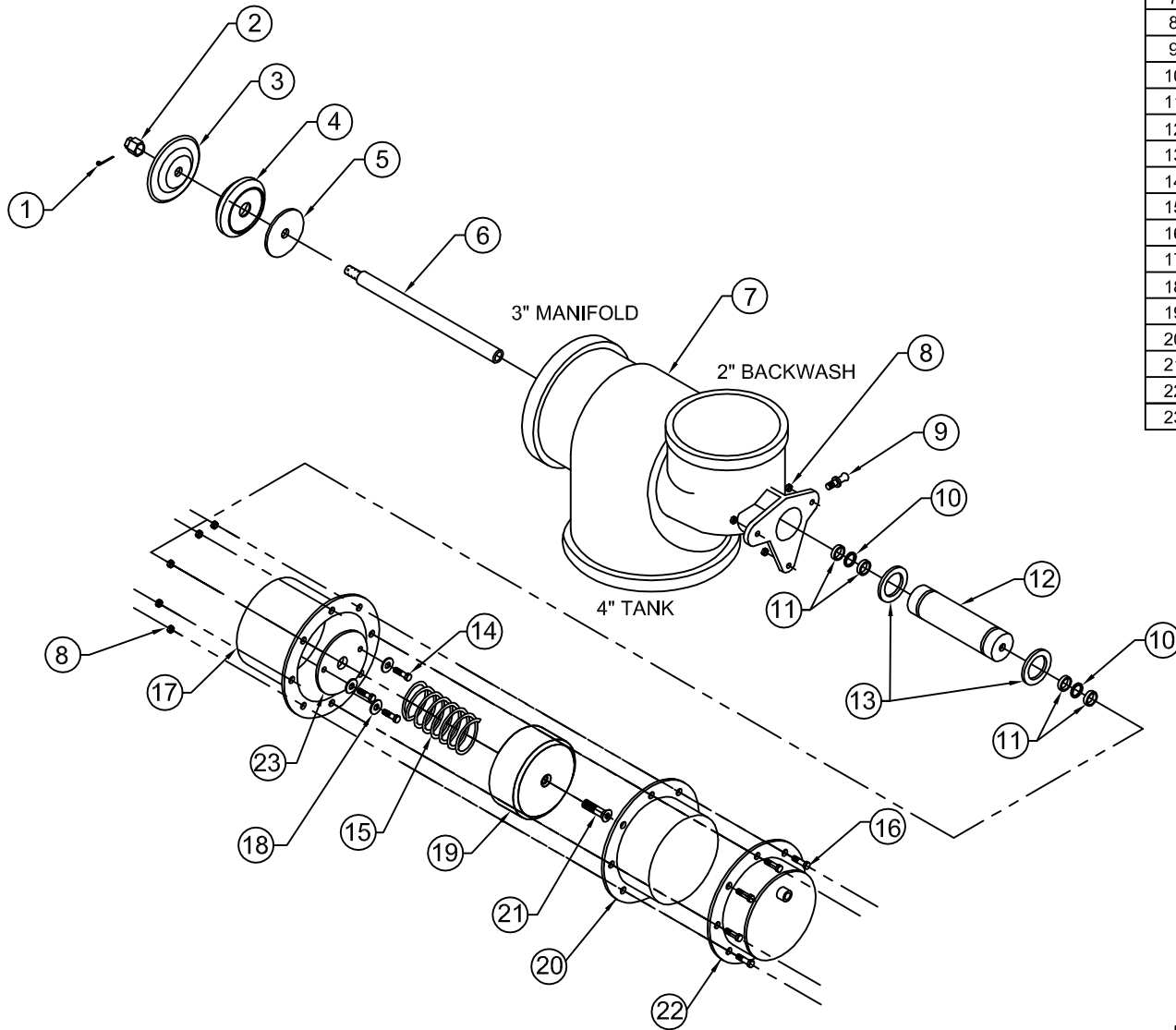


3" AUTOMATIC CAST VALVE

342 "D" SERIES

LISTED 08/09 - PRESENT

PART NUMBER: 340003440



LIST OF COMPONENTS

ITEM	QTY.	PART NO.	DESCRIPTION
1	1	400076075	COTTER PIN 1/16" x 3/4"
2	1	400066037	CASTLE HEX NUT SS 3/8"-16
3	1	140090300	SEAL RETAINER PLATE SS - LOWER 3"
4	1	136070300	URETHANE VALVE SEAL 3"
5	1	140080300	SEAL RETAINER PLATE SS - UPPER 3"
6	1	136005063	SS SHAFT 5/8" x9 5/8"
7	1	250033000	342 CAST VALVE BODY
8	11	400063028	HEX NUT 1/4"-28
9	1	136008228	1/4"-28 GREASE FITTING
10	2	141006087	O-RING 5/8" I.D. x 7/8" O.D.
11	4	141090063	BACK-UP RING 5/8"
12	1	136001342	VALVE BUSHING - 342
13	2	141008100	O-RING 7/8" I.D. x 1" O.D.
14	3	400022510	HEX BOLT 1/4"-28 x 1"
15	1	136062451	VALVE SPRING FOR D VALVE, 2-7/16" X 5-1/8" MW-ZP,
16	8	400032507	HEX BOLT 1/4"-28 X 3/4"
17	1	250023200	LOWER ACTUATOR CAN
18	3	400073025	1/4" FLAT WASHER
19	1	250024540	PISTON CUP
20	1	136090454	VALVE DIAPHRAGM w/ NO CENTER HOLE
21	1	400052507	FLAT HEAD HEX SS BOLT 1/4"-20 x 3/4"
22	1	250023100	UPPER ACTUATOR CAN
23	1	210060410	LOWER CAN REINFORCING PLATE

THIS DRAWING, INCLUDING THE INFORMATION IT CONTAINS, IS CONFIDENTIAL, PROPRIETARY, AND IS THE PROPERTY OF YARNEY WATER MANAGEMENT, INC. IT IS SUBMITTED ONLY IN CONNECTION WITH THE TRANSACTION TO WHICH IT PERTAINS AND MUST NOT BE USED IN ANY OTHER MANNER DETRIMENTAL TO THE INTERESTS OF YARNEY WATER MANAGEMENT. THE DRAWING IS NOT TO BE COPIED AND MUST BE RETURNED UPON REQUEST.

Yardney
WATER MANAGEMENT SYSTEMS
RIVERSIDE, CALIFORNIA

APPROVALS: DATE: 342 D AUTOMATIC
DRAWN BY: DTC 08-08-09
CHECKED BY: DTC
APPROVED BY: [Signature]
ARCHITECTURAL: [Signature]
SYN: [Signature]

342 D AUTOMATIC
3" AUTOMATIC CAST VALVE
SIZE: [Blank] DRAWING NO: 340003440
REV: A
SHEET 1 OF 1

CHANGE EFFECT DATE: DTD 8-09 APP: [Blank]
REVISIONS: BY: [Blank] DATE: [Blank] APP: [Blank]