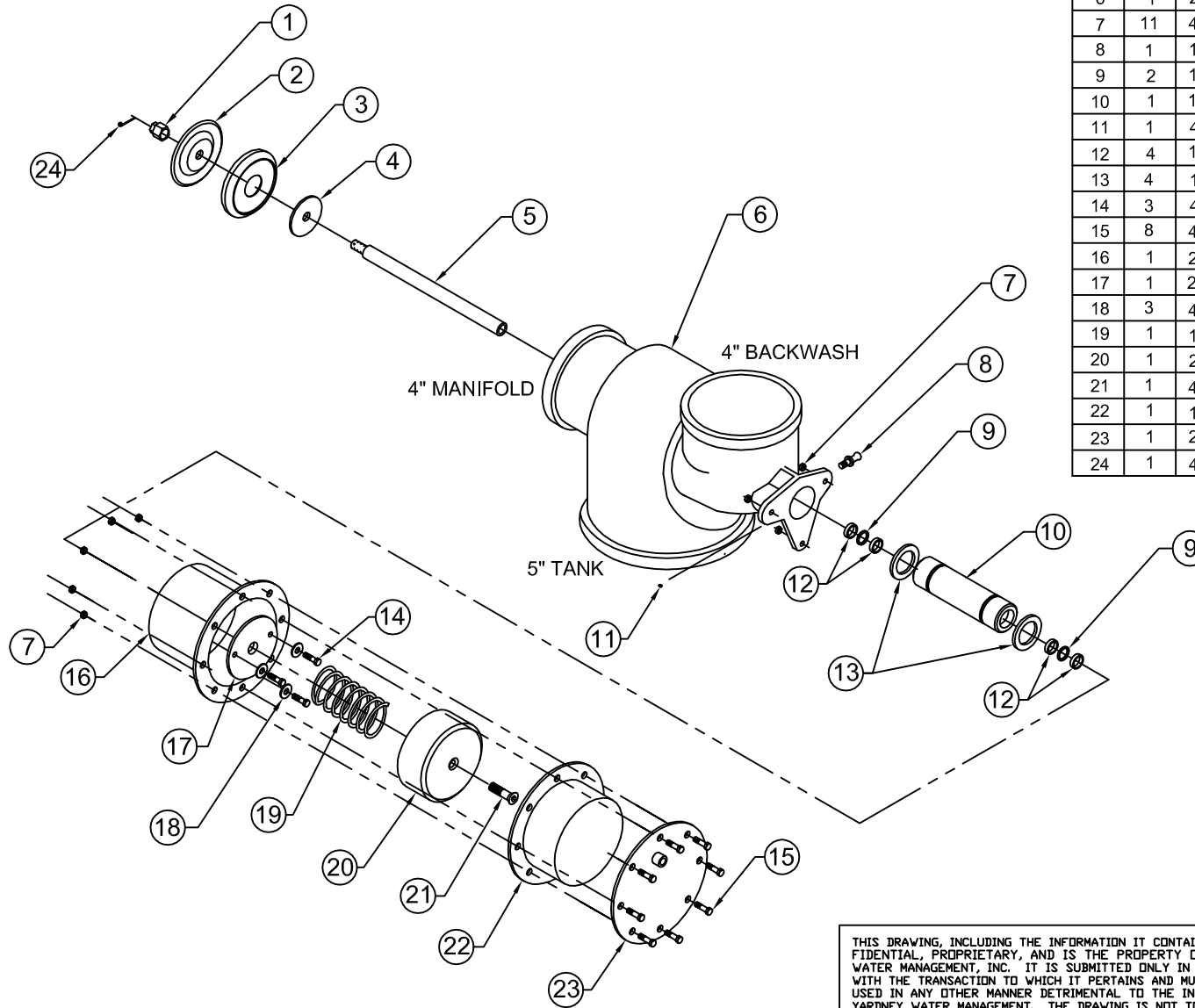


# 4" AUTOMATIC CAST VALVE

454 D SERIES - 2/96-TO PRESENT  
USED ON 36" AND 48" TANKS

PART NUMBER: 340004580



## LIST OF COMPONENTS

ITEM	QTY.	PART NO.	DESCRIPTION
1	1	400066037	NUT, CASTLE, SS, 3/8-16
2	1	140090400	SEAL RETAINER LOWER 304SS 4"
3	1	136070400	VALVE SEAL, URETHANE, 4"
4	1	140080400	S/S SEAL RETAINER PLATE - UPPER
5	1	136005063	SS SHAFT 5/8" x9 5/8"
6	1	250034000	VALVE CASTING 454 FC ID/ POLY OD
7	11	400063028	HEX NUT 1/4"-28
8	1	136008228	GREASE FITTING 1/4"-28
9	2	141006087	O-RING 5/8" I.D. x 7/8" O.D.
10	1	136001037	BUSHING BRASS 454, 1"
11	1	421070025	CAP PLUG 0.5" DIA. x 1/4" PLASTIC
12	4	141090063	BACK-UP RING 5/8"
13	4	141008100	BUSHING O-RING 7/8" I.D. x 1" O.D.
14	3	400032512	HEX BOLT 1/4"-28 x 1 1/4"
15	8	400032507	HEX BOLT 1/4"-28 x 3/4"
16	1	250023200	LOWER ACTUATOR CAN
17	1	210060410	LOWER CAN REINFORCING PLATE
18	3	400073025	FLAT WASHER 1/4"
19	1	136062451	VALVE SPRING FOR D VALVE, 2-7/16" X 5-1/8" MW-ZP,
20	1	250024540	PISTON
21	1	400052507	FLAT HEAD HEX SS BOLT 1/4"-20 x 3/4"
22	1	136090454	VALVE DIAPHRAGM w/ NO CENTER HOLE
23	1	250024100	ACTUATOR CAN LID
24	1	400076075	COTTER PIN 1/16" x 3/4"

### NOTES:

- 1) APPLY LOCTITE 222 TO #21 PRIOR TO ASSEMBLY.

DO NOT SCALE DWG.

THIS DRAWING, INCLUDING THE INFORMATION IT CONTAINS, IS CONFIDENTIAL, PROPRIETARY, AND IS THE PROPERTY OF YARNEY WATER MANAGEMENT, INC. IT IS SUBMITTED ONLY IN CONNECTION WITH THE TRANSACTION TO WHICH IT PERTAINS AND MUST NOT BE USED IN ANY OTHER MANNER DETRIMENTAL TO THE INTERESTS OF YARNEY WATER MANAGEMENT. THE DRAWING IS NOT TO BE COPIED AND MUST BE RETURNED UPON REQUEST

**Yarney**  
WATER MANAGEMENT SYSTEMS  
RIVERSIDE, CALIFORNIA

SYMBOL	REVISIONS	BY	DATE	APP	APPROVALS	DATE	SCALE	ACAD DWG NO.	SHOP DWGS\VALVES\	SHEET	OF
C	CHANGED ITEM 1 FROM KEPS SS NUT TO CASTLE HEX NUT. ADDED ITEM 24 (COTTER PIN).	MEM	1/11/00		DRAWN BY: JMW	10/15/01				4" AUTOMATIC CAST VALVE	
B	P/N CHANGED & ITEM 22 WAS SHOWN INVERTED ACTUATOR CAN GASKET DELETED	KAT	12/12/97		CHECKED BY:					DRAWING NO:	340004580
					APPROVED BY:					REV:	C
					ARCHITECTURAL SCALE:						
					USED ON:						