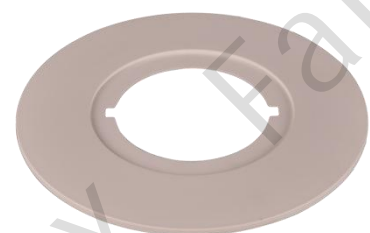


## FL-D32A

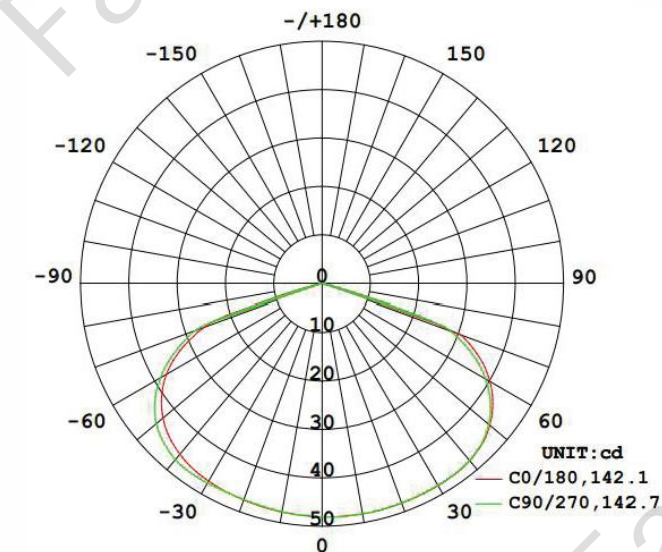
### Non-maintained Emergency Downlight



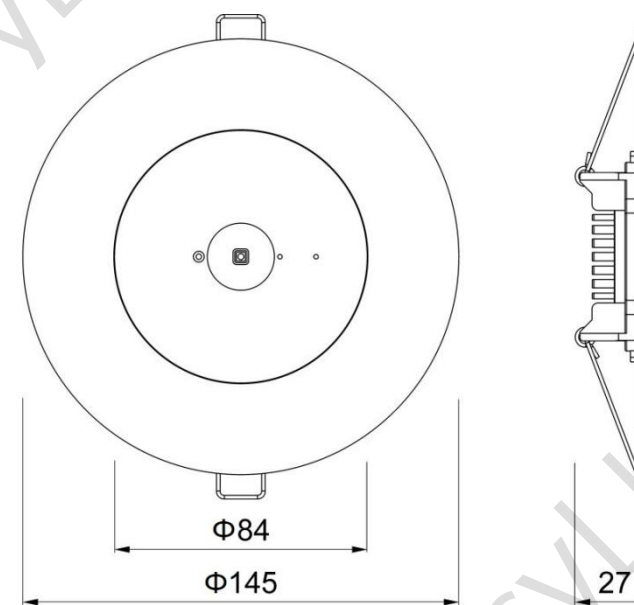
#### Technical Specifications

Mains Supply	220-240VAC ,50/60Hz
Power	2 W
Duration Time	3 Hours
Recharge Period	16 Hours
Battery Size & Type	LiFePO4 3.2V1.5 Ah
LED Power	1.3 W (emergency)
CCT	5700 K
CRI	70
Luminous Flux	185 lm (emergency)
Beam Angle	142°
Protection Class	Class II
Operating Temperature	0-40 °C
Cut Out	Φ76-130 mm

#### Photometric Datasheet

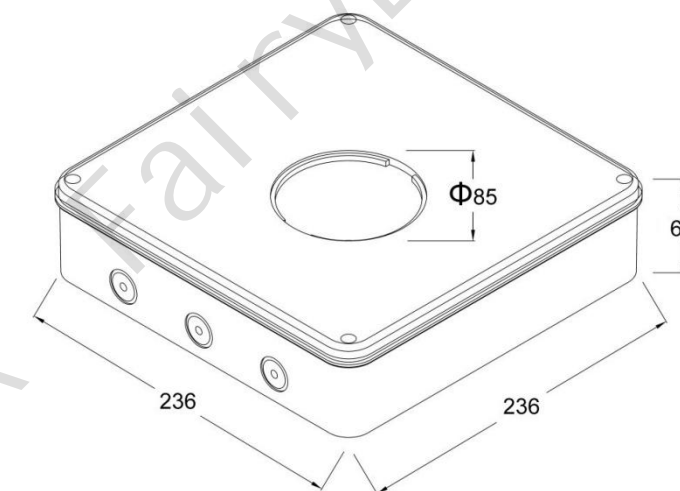


#### Dimensions



#### Accessories

IP65 ceiling mounting box



#### Features

- Recessed or ceiling mounting
- Built in LiFePO4 battery, non-replaceable
- Non-maintained and manual test switch
- Intelligent charge and discharge
- 3 hours emergency duration
- OSRAM high power LED
- D32 emergency classification
- Φ84mm small panel with Φ145mm trim
- IP65 ceiling mounting box is optional
- Self test is customizable
- With 1.2meter flex and plug

#### Materials

- Driver housing: PC, 850°C glow wire test
- Panel: PC+ABS, 850°C glow wire test

#### Standard Compliance

- AS2293.3
- AS 60598.2.22
- AS/NZS 60598.1
- AS/NZS 60598.2.2
- AS CISPR 15
- IEC62133
- AS61347-2-7



AS2293

3H

D32

LiFePO4

# FL-EMD40/EMD50/EMD63

Non-maintained LED Emergency Downlight



### Features

- Recessed, IP20, Non-maintained
- Built in LiFePO4 battery
- Intelligent charge and discharge
- 3 hours emergency duration
- OSRAM high power LED
- D40/D50/D63 emergency classification
- Ø84mm small panel with Ø145mm trim
- Self-test version is optional
- With 1.2meter flex and plug

### Materials

- PC+ABS, 850°C glow wire test

### Standard Compliance

- AS2293.3
- AS 60598.2.22
- AS/NZS 60598.1
- AS/NZS 60598.2.2
- AS CISPR 15
- IEC62133
- AS61347-2-7



AS2293

3H

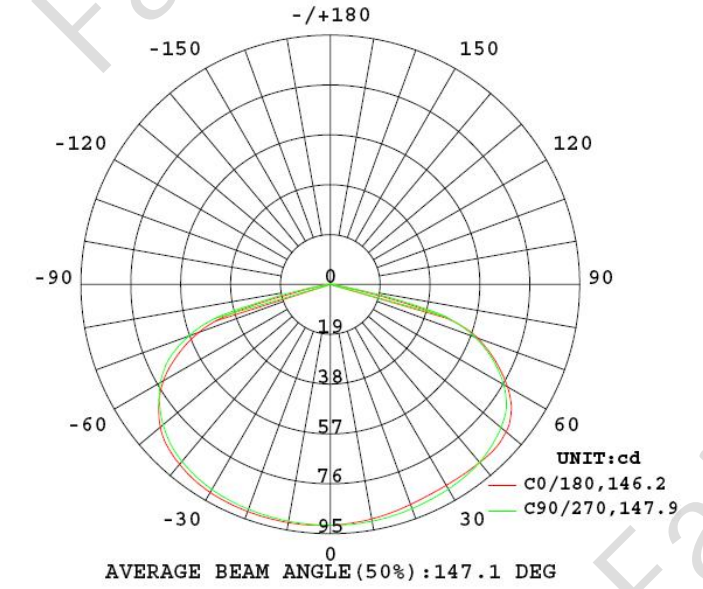
D63

LiFePO4

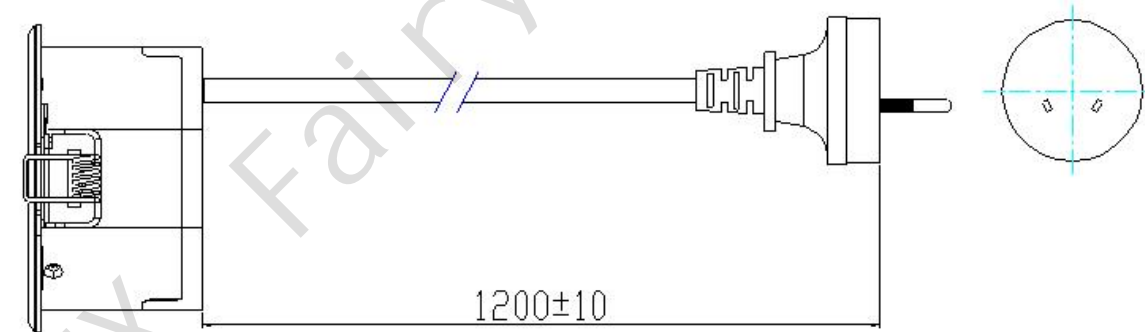
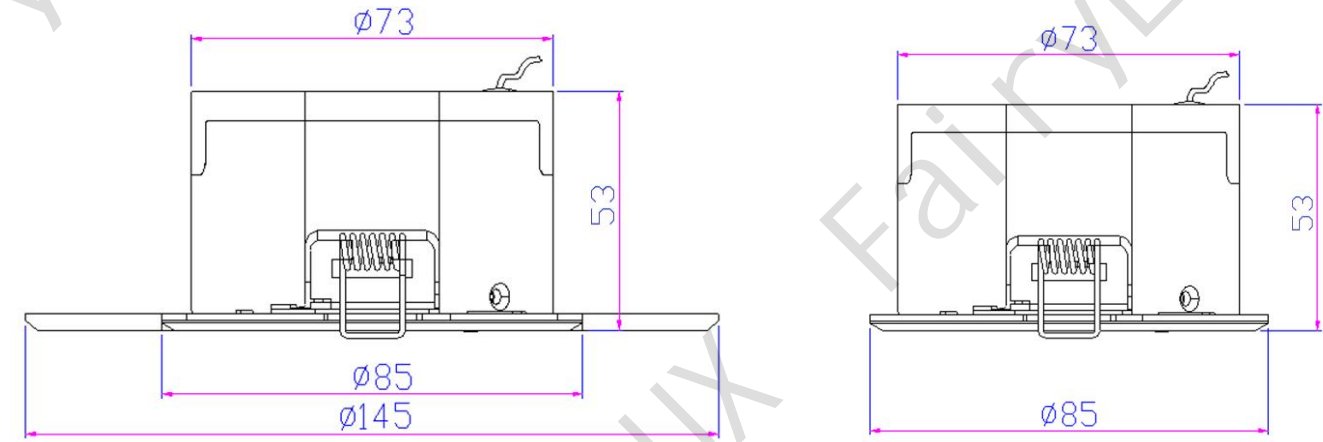
### Technical Specifications

Mains Supply	220-240VAC ,50/60Hz
Power	2.5 W
Duration Time	3 Hours
Recharge Period	16 Hours
Battery Size & Type	LiFePO4 6.4V1.5Ah
LED Power	1.6/2.0/2.5 W (emergency)
CCT	5700 K
CRI	70
Luminous Flux	230/290/360 lm (emergency)
Beam Angle	145°
Protection Class	Class II
Operating Temperature	0-40 °C
Cut Out	Ø76-130 mm

### Photometric Datasheet



### Dimensions



## FL-TS3

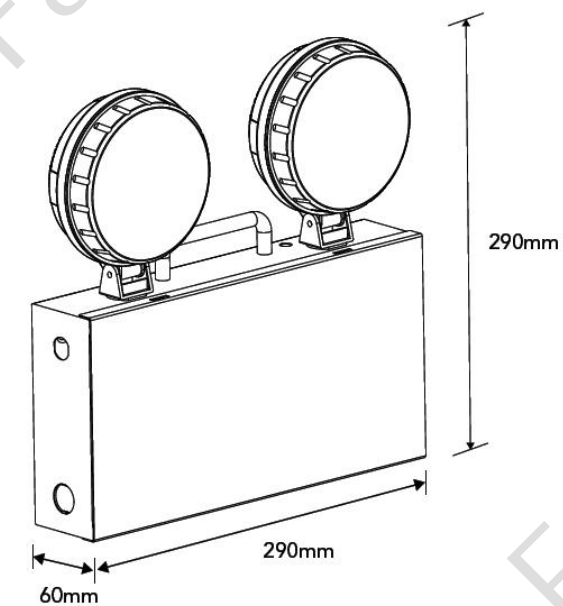
LED Twin Spots



### Technical Specifications

Mains Supply	220-240 VAC ,50/60Hz
Power	2.5 W
Duration Time	3 Hours
Recharge Period	16 Hours
Battery Size & Type	LiFePO4 3.2V3.3Ah
LED Power	1.3 W x 2 (emergency)
CCT	6500 K
CRI	70
Luminous Flux (with legend)	350 lm (emergency)
Beam Angle	N/A
Protection Class	Class I
Operating Temperature	0-40 °C

### Dimensions



### Features

- Plastic head and steel base
- Wall mounting, IP20
- LiFePO4 battery, replaceable
- Non-maintained operation
- Intelligent charge and discharge
- 3 hours emergency duration
- Self test is customizable
- With 1.2meter flex and plug

### Materials

- Base: steel
- Lamp head: PC+ABS
- Diffuser: PC

### Standard Compliance

- AS2293.3
- AS 60598.2.22
- AS/NZS 60598.1
- AS CISPR 15
- IEC62133
- AS61347-2-7



AS2293

3H

LiFePO4

# FL-E4QLiA

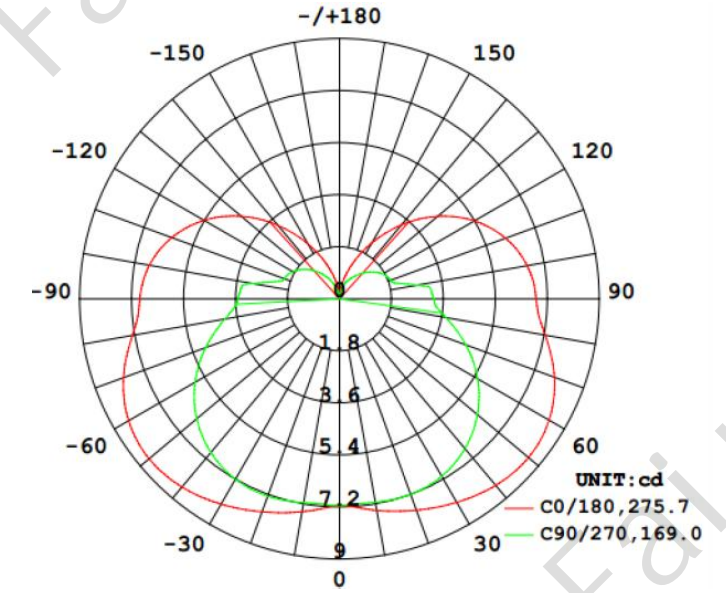
## Quick Fit Exit Box



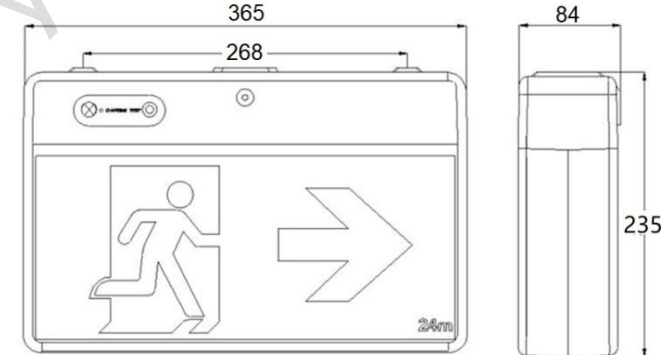
### Technical Specifications

Mains Supply	220-240VAC ,50/60Hz
Power	4 W
Duration Time	3 Hours
Recharge Period	16 Hours
Battery Size & Type	LiFePO4 3.2V1.5 Ah
LED Power	0.7 W (emergency) 1.0 W (maintained)
CCT	6500 K
CRI	70
Luminous Flux (with legend)	60 lm (emergency) 90 lm (maintained)
View Distance	24 m
Beam Angle	N/A
Protection Class	Class II
Operating Temperature	0-40 °C

### Photometric Datasheet



### Dimensions



### Features

- Wall or ceiling mounting, IP20
- LiFePO4 battery, replaceable
- Non-maintained or maintained operation
- Intelligent charge and discharge
- 3 hours emergency duration
- Classification: C0/D8, C90/D6.3
- Self test is customizable

### Standard Compliance

- AS2293.3
- AS 60598.2.22
- AS/NZS 60598.1
- AS CISPR 15
- IEC62133
- AS61347-2-7

### Materials

- Housing: ABS, 850°C glow wire test
- Diffuser: PS, 650°C glow wire test
- Legend: PC



AS2293

3H

LiFePO4

# FL-E4QV

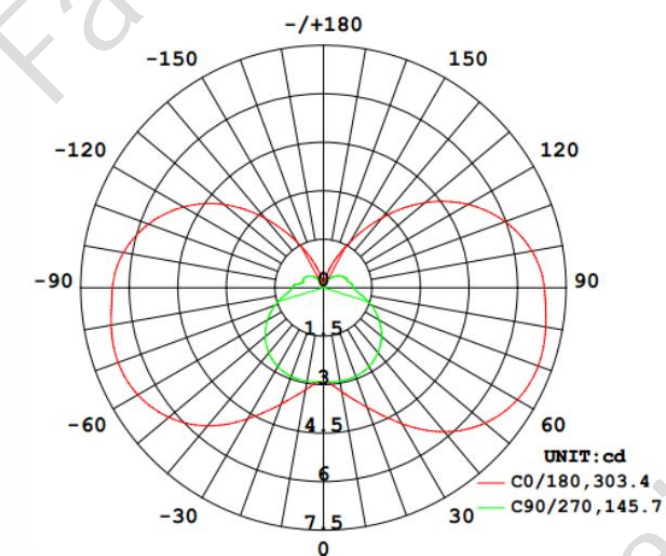
Quick Fit Exit Box



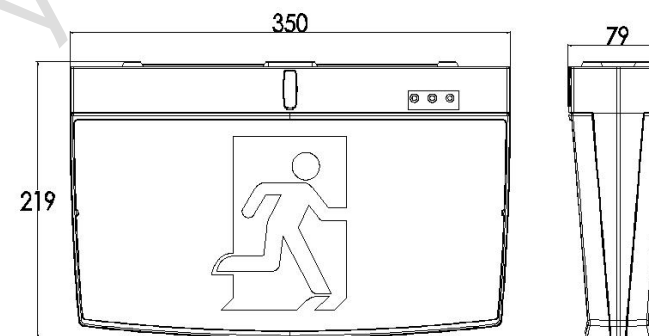
### Technical Specifications

Mains Supply	220-240VAC ,50/60Hz
Power	4 W
Duration Time	3 Hours
Recharge Period	16 Hours
Battery Size & Type	LiFePO4 3.2 V1.5 Ah
LED Power	0.7 W (emergency) 1.0 W (maintained)
CCT	6500 K
CRI	70
Luminous Flux (with legend)	40 lm (emergency) 60 lm (maintained)
View Distance	24 m
Beam Angle	N/A
Protection Class	Class II
Operating Temperature	0-40 °C

### Photometric Datasheet



### Dimensions



### Features

- Wall or ceiling mounting, IP20
- LiFePO4 battery, replaceable
- Non-maintained or maintained operation
- Intelligent charge and discharge
- 3 hours emergency duration
- Classification: C0/D3.2, C90/D2
- Self test is option

### Materials

- Housing: ABS, 850°C glow wire test
- Diffuser: PS, 650°C glow wire test
- Legend: PC

### Standard Compliance

- AS2293.3
- AS 60598.2.22
- AS/NZS 60598.1
- AS CISPR 15
- IEC62133
- AS61347-2-7

### Accessories

-N/A



AS2293

3H

LiFePO4

# FL-E4DLiA

## Trad Exit Light



### Features

- Wall or ceiling mounting, IP20
- LiFePO4 battery, replaceable
- Non-maintained or maintained operation
- Intelligent charge and discharge
- 3 hours emergency duration
- Classification
- Wall mounting diffuser: C0/D4, C90/D2.5
- Ceiling mounting diffuser: C0/D8, C90/D6.3
- Self test is customizable

### Materials

- Housing: ABS, 850°C glow wire test
- Diffuser: PS, 650°C glow wire test
- Legend: PC

### Standard Compliance

- AS2293.3
- AS 60598.2.22
- AS/NZS 60598.1
- AS CISPR 15
- IEC62133
- AS61347-2-7



AS2293

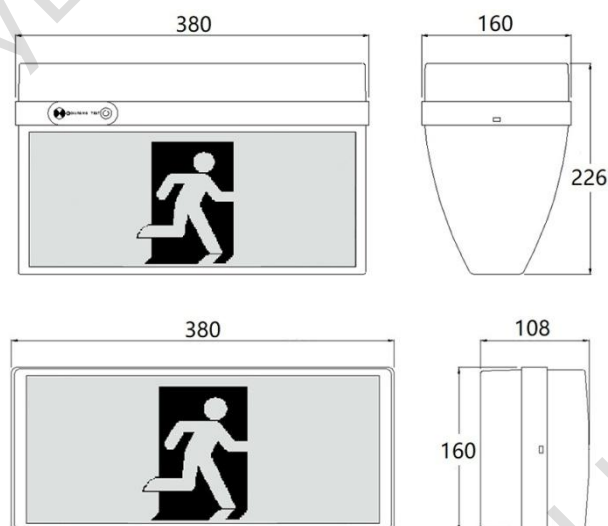
3H

LiFePO4

### Technical Specifications

Mains Supply	220-240VAC ,50/60Hz
Power	4 W
Duration Time	3 Hours
Recharge Period	16 Hours
Battery Size & Type	LiFePO4 3.2V1.5Ah
LED Power	0.7 W (emergency) 1.0 W (maintained)
CCT	6500 K
CRI	70
Luminous Flux (with legend)	50 lm (emergency) 75 lm (maintained)
View Distance	24 m
Beam Angle	N/A
Protection Class	Class II
Operating Temperature	0-40 °C

### Dimensions

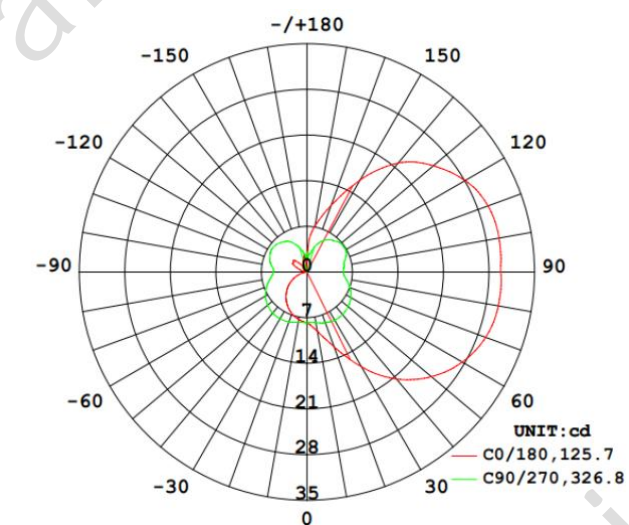


### Accessories

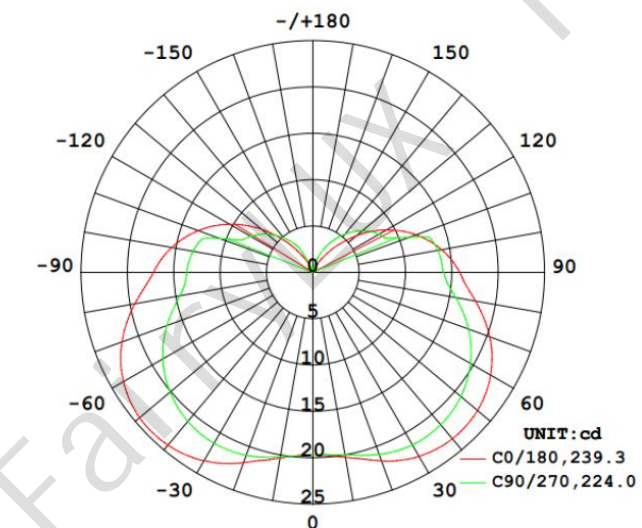
Ceiling mounting diffuser (option)



### Photometric Datasheet



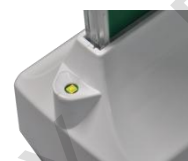
Wall mounting diffuser



Ceiling mounting diffuser

# FL-E4QE

Quick Fit Blade With Spitfire



### Features

- Exit sign and spitfire, 2-in-1
- Wall or ceiling mounting, IP20
- LiFePO4 battery, replaceable
- Maintained operation
- Intelligent charge and discharge
- 3 hours emergency duration
- Classification: C0/D12.5, C90/D32
- Self test is customizable
- Four PC legends included

### Materials

- Base: ABS, 850°C glow wire test
- Exit sign plate: 4mm PMMA
- Legend: PC

### Standard Compliance

- AS2293.3
- AS 60598.2.22
- AS/NZS 60598.1
- AS CISPR 15
- IEC62133
- AS61347-2-7



AS2293

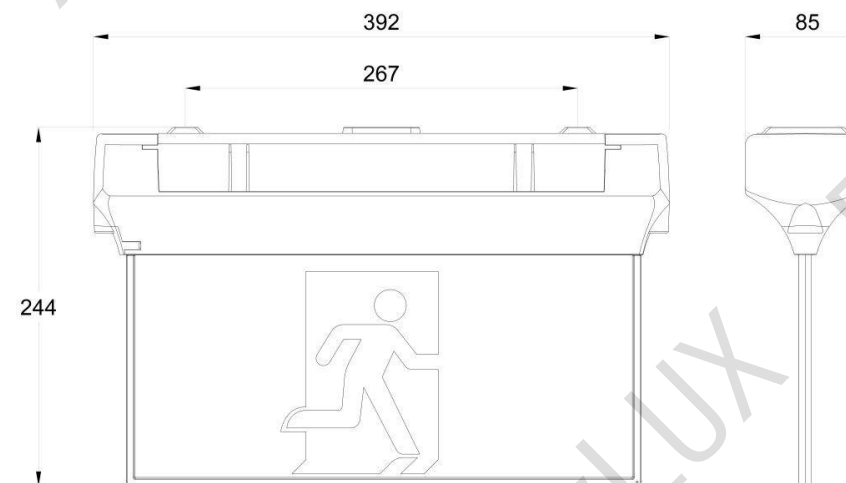
3H

LiFePO4

### Technical Specifications

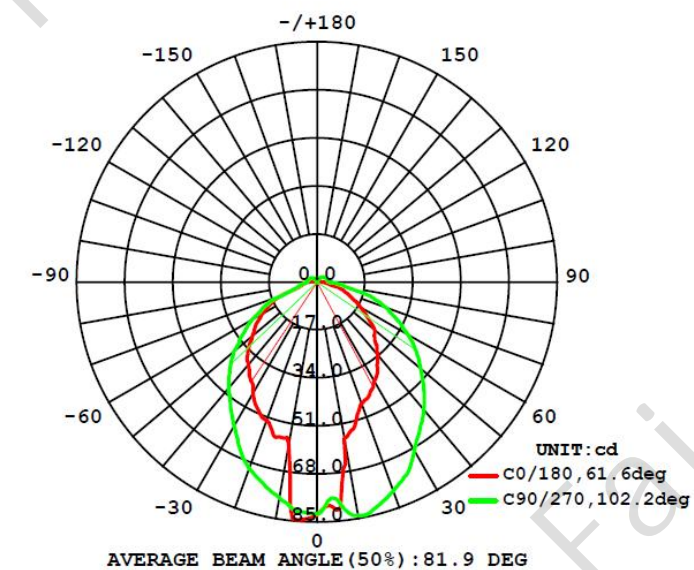
Mains Supply	220-240 VAC ,50/60Hz
Power	4 W
Duration Time	3 Hours
Recharge Period	16 Hours
Battery Size & Type	LiFePO4 3.2V3.3Ah
LED Power	2.0 W (emergency) 0.7 W (maintained)
CCT	6500 K
CRI	70
Luminous Flux (with legend)	200 lm (emergency) 60 lm (maintained)
View Distance	24 m
Beam Angle	N/A
Protection Class	Class II
Operating Temperature	0-40 °C

### Dimensions



### Photometric Datasheet

(Emergency)



# FL-E4MRB

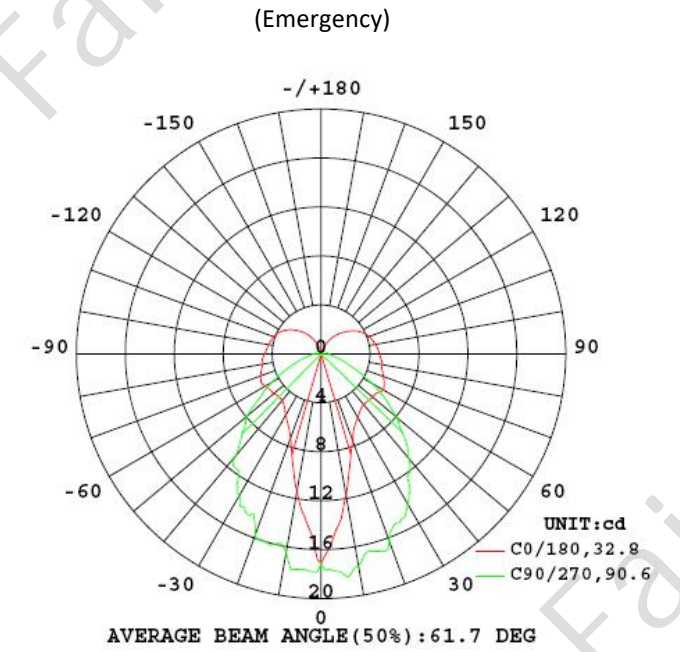
## Emergency Recessed Blade



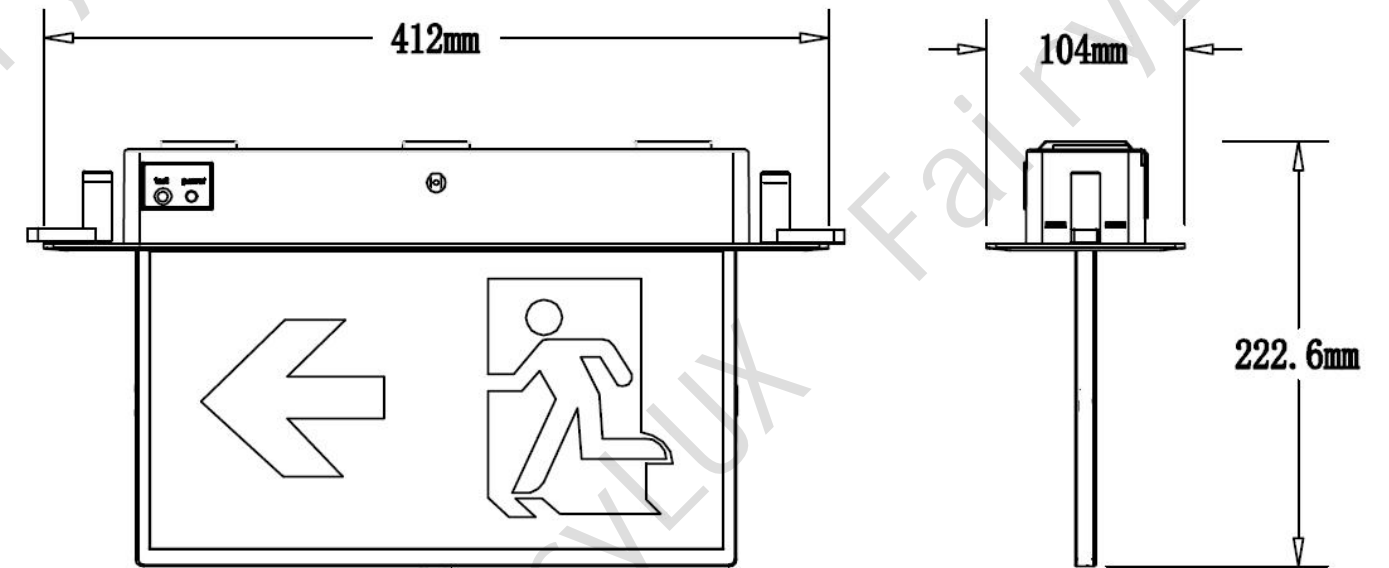
### Technical Specifications

Mains Supply	220-240 VAC ,50/60Hz
Power	4 W
Duration Time	3 Hours
Recharge Period	16 Hours
Battery Size & Type	LiFePO4 3.2V1.5Ah
LED Power	0.7 W (emergency) 1.0 W (maintained)
CCT	6500 K
CRI	70
Luminous Flux (with legend)	40 lm (emergency) 30 lm(maintained)
View Distance	24 m
Beam Angle	N/A
Protection Class	Class II
Operating Temperature	0-40 °C

### Photometric Datasheet



### Dimensions



### Features

- Recessed installation, IP20
- 24m viewing distance
- Built-in LiFePO4 battery, replaceable
- Maintained operation
- Intelligent charge and discharge
- 3 hours emergency duration
- Cut out: 380 x 70mm

### Standard Compliance

- AS2293.3
- AS 60598.2.22
- AS/NZS 60598.1
- AS CISPR 15
- IEC62133
- AS61347-2-7

### Materials

- PC, 850°C glow wire test
- PMMA



AS2293

3H

LiFePO4