

LED
Emergency
Module

Dongguan Engine Electronics Co., Ltd

Address: Xiecao Road 792, Xiegang Town, Dongguan, Guangdong.

TEL: +86 769-87659588

WEB: www.fairyluxco.com

E-mail: Sales@fairyluxco.com

★ ALL THE INFORMATION HERE ONLY FOR REFERENCE, PLEASE CONFIRM WITH OUR SALES
PRIOR TO ORDERING

V1.0
2022-11-25

**PRODUCT
COLLECTION**
Since 2010

LED Emergency Module Constant Power(CP) Series



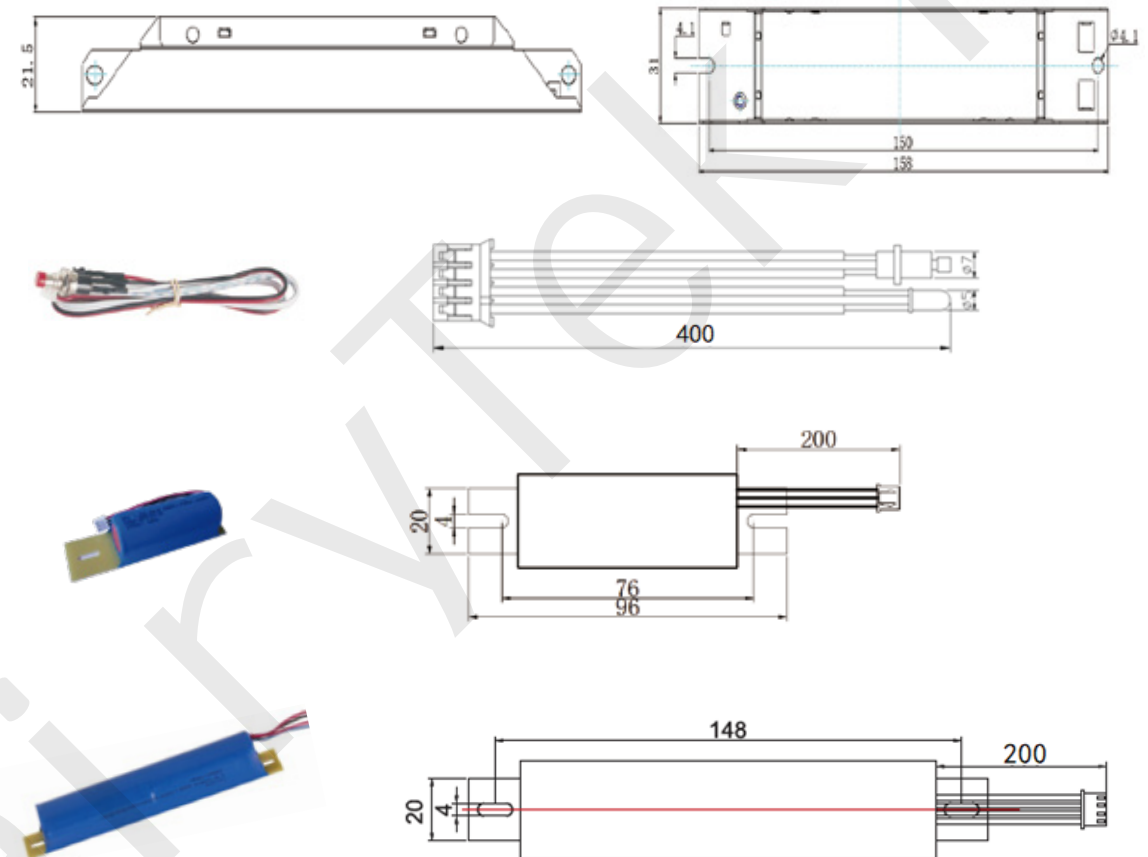
- 10-50V and 2W, 4W, 6W, 8W, 12W emergency output
- Constant power output
- High temperature LiFePO₄ battery
- Duration time: 60mins, 90mins, 120min, 180mins
- Metal case and small size design
- CE, SAA and RoHS compliance
- Overcharge protection, deep discharge protection and short circuit protection included

Applications : Batten, Linear, Tri-proof Light

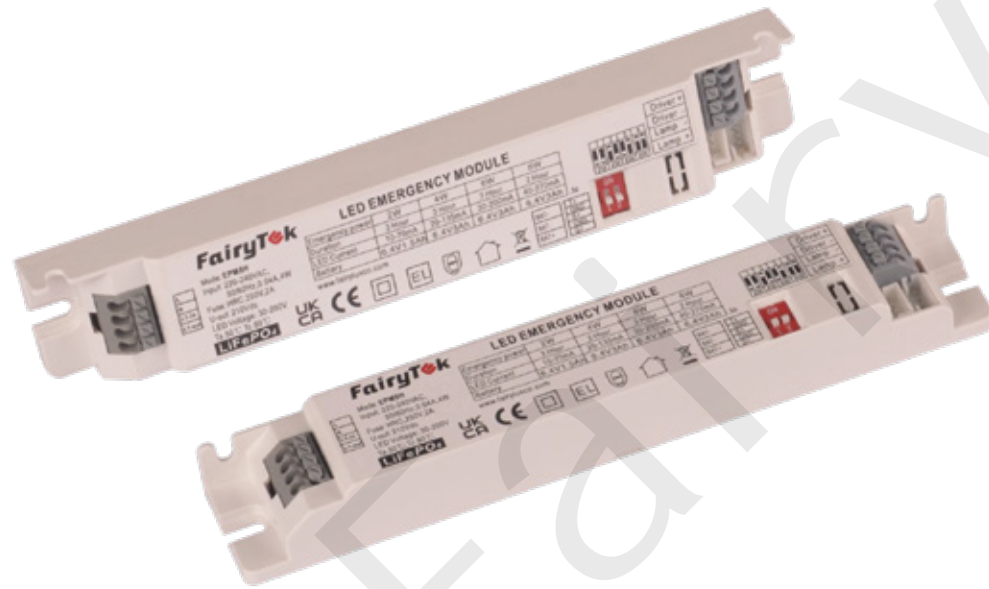
Specifications

Model	Input	EM. output	Duration	Battery
EP02W	220-240Vac	2W CP. 15-48V	180mins	LiFePO ₄ 6.4v1.5Ah
EP04W	220-240Vac	4W CP. 15-48V	180mins	LiFePO ₄ 6.4v3.0Ah
EP06W	220-240Vac	6W CP. 15-48V	150mins	LiFePO ₄ 6.4v3.0Ah
EP08W	220-240Vac	8W CP. 15-48V	120mins	LiFePO ₄ 6.4v3.0Ah
EP10W	220-240Vac	10W CP. 15-48V	90mins	LiFePO ₄ 6.4v3.0Ah
EP12W	220-240Vac	12W CP. 15-48V	90mins	LiFePO ₄ 6.4v3.0Ah

Dimensions



LED Emergency Module Power Adjustable Series



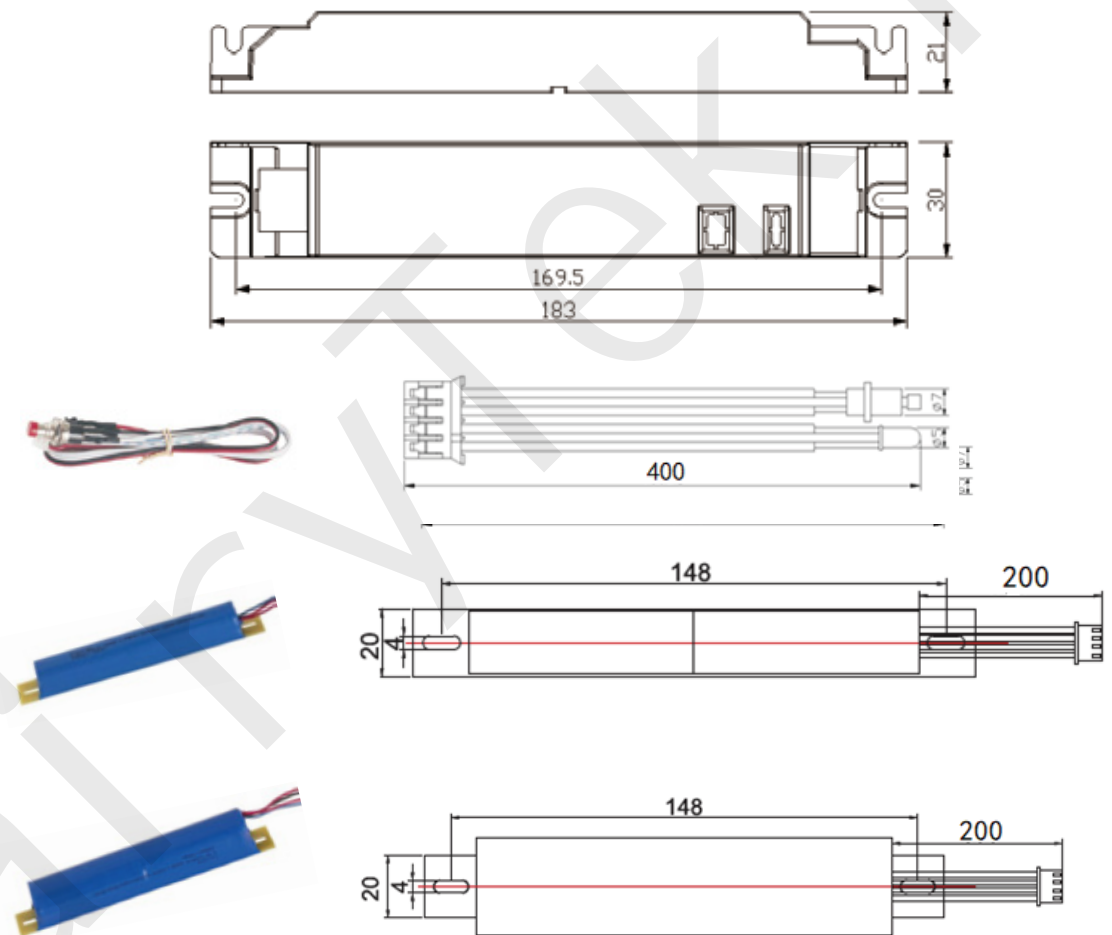
- Selectable 2W, 4W, 6W, 8W emergency output
- 30-200V or 30-56V Constant power output
- High temperature LiFePO₄ battery
- Duration time: 90mins, 120mins, 180mins
- PC housing
- CE, SAA and RoHS compliance
- Overcharge protection, deep discharge protection and short circuit protection included

Applications : Batten, Linear, Tri-pooof Light

Specifications

Model	Input	EM. output	Duration	Battery
EPM8L	220-240Vac	2W CP. 30-56V	180mins	LiFePO ₄ 6.4v1.5Ah
		4W CP. 30-56V	180mins	LiFePO ₄ 6.4v3.0Ah
		6W CP. 30-56V	120mins	LiFePO ₄ 6.4v3.0Ah
		8W CP. 30-56V	90mins	LiFePO ₄ 6.4v3.0Ah
EPM8H	220-240Vac	2W CP. 30-200V	180mins	LiFePO ₄ 6.4v1.5Ah
		4W CP. 30-200V	180mins	LiFePO ₄ 6.4v3.0Ah
		6W CP. 30-200V	120mins	LiFePO ₄ 6.4v3.0Ah
		8W CP. 30-200V	90mins	LiFePO ₄ 6.4v3.0Ah

Dimensions



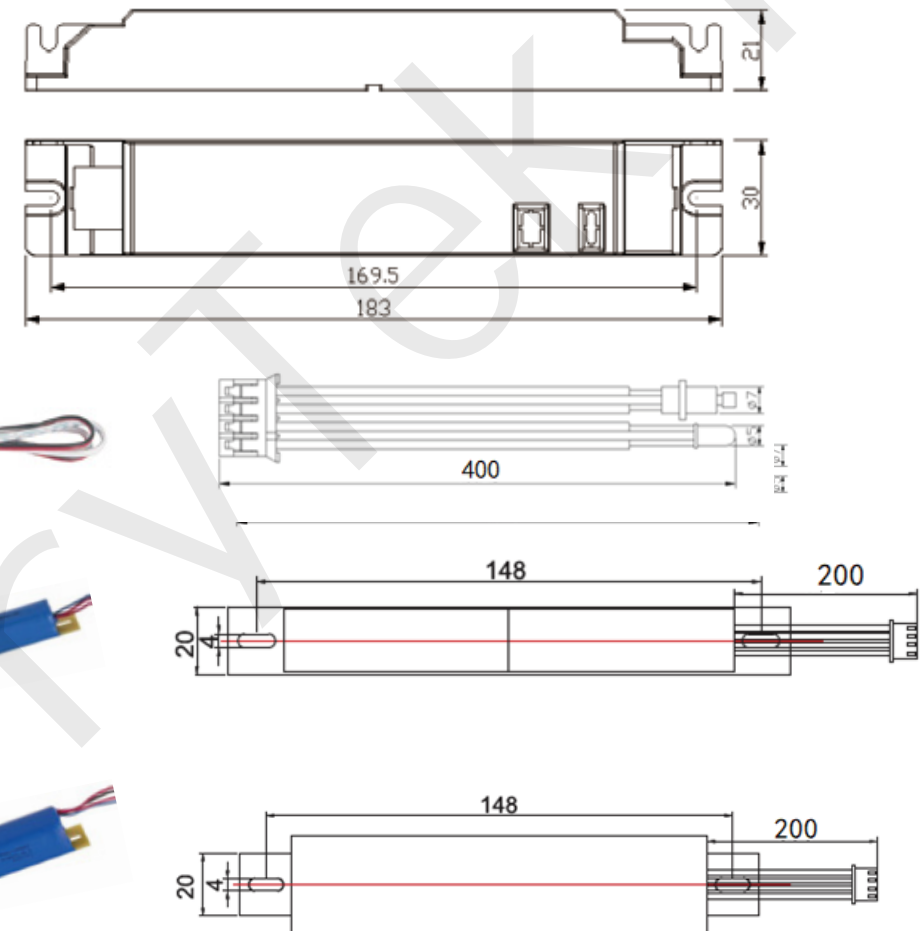
LED Emergency Module Self Test Series



Specifications

Model	Input	EM. output	Duration	Battery
EPS2W	220-240Vac	2W CP. 30-200V	180mins	LiFePO ₄ 6.4v1.5Ah
EPS3W	220-240Vac	3W CP. 30-200V	180mins	LiFePO ₄ 6.4v3.0Ah
EPS4W	220-240Vac	4W CP. 30-200V	180mins	LiFePO ₄ 6.4v3.0Ah
EPS2L	220-240Vac	2W CP. 30-56V	180mins	LiFePO ₄ 6.4v1.5Ah
EPS3L	220-240Vac	3W CP. 30-56V	180mins	LiFePO ₄ 6.4v3.0Ah

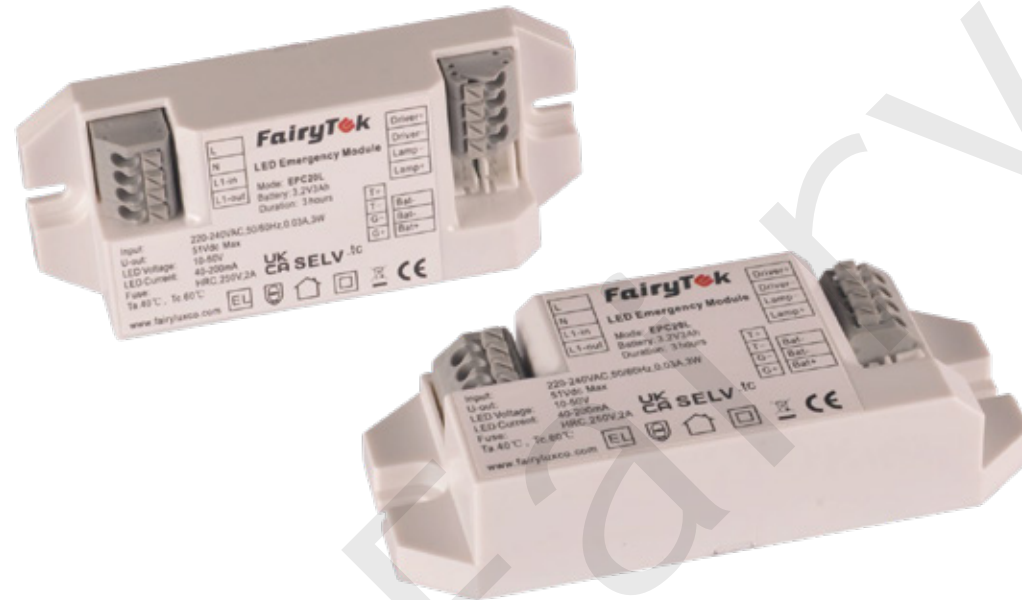
Dimensions



- 2W, 3W, 4W, 3 hours self test version
- 30-200V or 30-56V Constant power output
- High temperature LiFePO₄ battery
- Duration time: 180mins
- PC housing
- CE, SAA and RoHS compliance
- Overcharge protection, deep discharge protection and short circuit protection included

Applications : Batten, Linear, Tri-poo Light

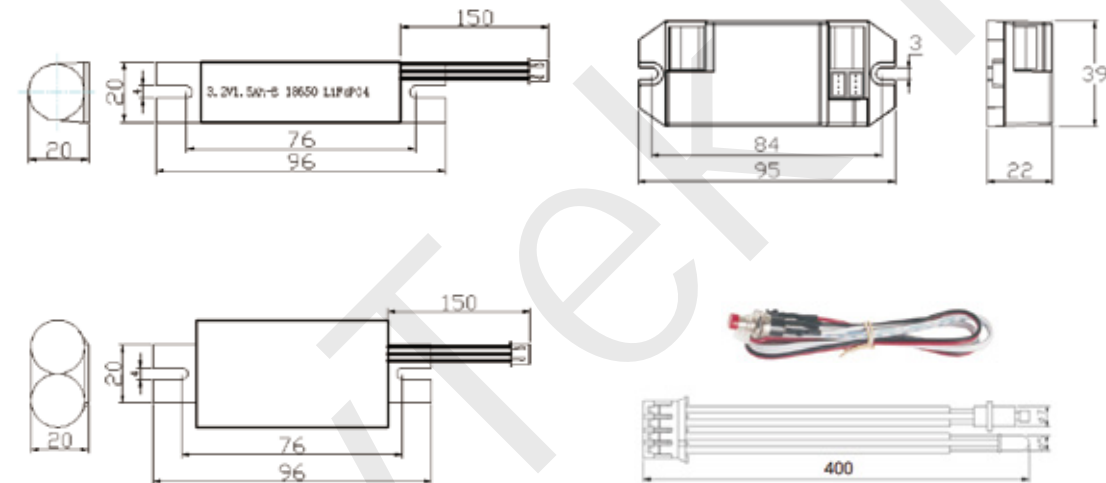
LED Emergency Module Ceiling Lamp Series



Specifications

Model	Input	EM. output	Duration	Battery
EPC10L	220-240Vac	1W CP. 10-50V	180mins	LiFePO4 3.2v1.5Ah
EPC20L	220-240Vac	2W CP. 10-50V	180mins	LiFePO4 3.2v3.3Ah
EPC20H	220-240Vac	2W CP. 20-200V	180mins	LiFePO4 3.2v3.3Ah

Dimensions



- Constant power output
- High temperature LiFePO₄ battery
- Duration time: 90mins, 180mins
- PC housing and small size design
- CE, SAA and RoHS compliance
- Overcharge protection, deep discharge protection and short circuit protection included

Applications : Ceiling Light

LED Emergency Pack For Panel and Downlight



- 10-55V and 2W, 3W, 4W, 5W, 6W, 8W emergency output
- Constant power output
- High temperature LiFePO₄ battery
- Duration time: 60mins, 90mins, 120min, 180mins
- PC case
- CE, SAA and RoHS compliance
- Overcharge protection, deep discharge protection and short circuit protection included

Applications : LED Panel Light, Downlight

Specifications

Model	Input	EM. output	Duration	Battery
EP02WI	220-240Vac	2W CP. 10-55V	180mins	LiFePO ₄ 6.4v1.5Ah
EP02WI-S	220-240Vac	2W CP. 10-55V	180mins	LiFePO ₄ 6.4v1.5Ah
EP03WI	220-240Vac	3W CP. 10-55V	180mins	LiFePO ₄ 6.4v3.2Ah
EP03WI-S	220-240Vac	3W CP. 10-55V	180mins	LiFePO ₄ 6.4v3.2Ah
EP04WI	220-240Vac	4W CP. 10-55V	180mins	LiFePO ₄ 6.4v3.2Ah
EP04WI-S	220-240Vac	4W CP. 10-55V	180mins	LiFePO ₄ 6.4v3.2Ah
EP05WI	220-240Vac	5W CP. 10-55V	150mins	LiFePO ₄ 6.4v3.2Ah
EP06WI	220-240Vac	6W CP. 10-55V	120mins	LiFePO ₄ 6.4v3.2Ah
EP08WI	220-240Vac	8W CP. 10-55V	90mins	LiFePO ₄ 6.4v3.2Ah

* EP02WI-S, EP03WI-S and EP04WI-S are self test versions.

Dimensions

