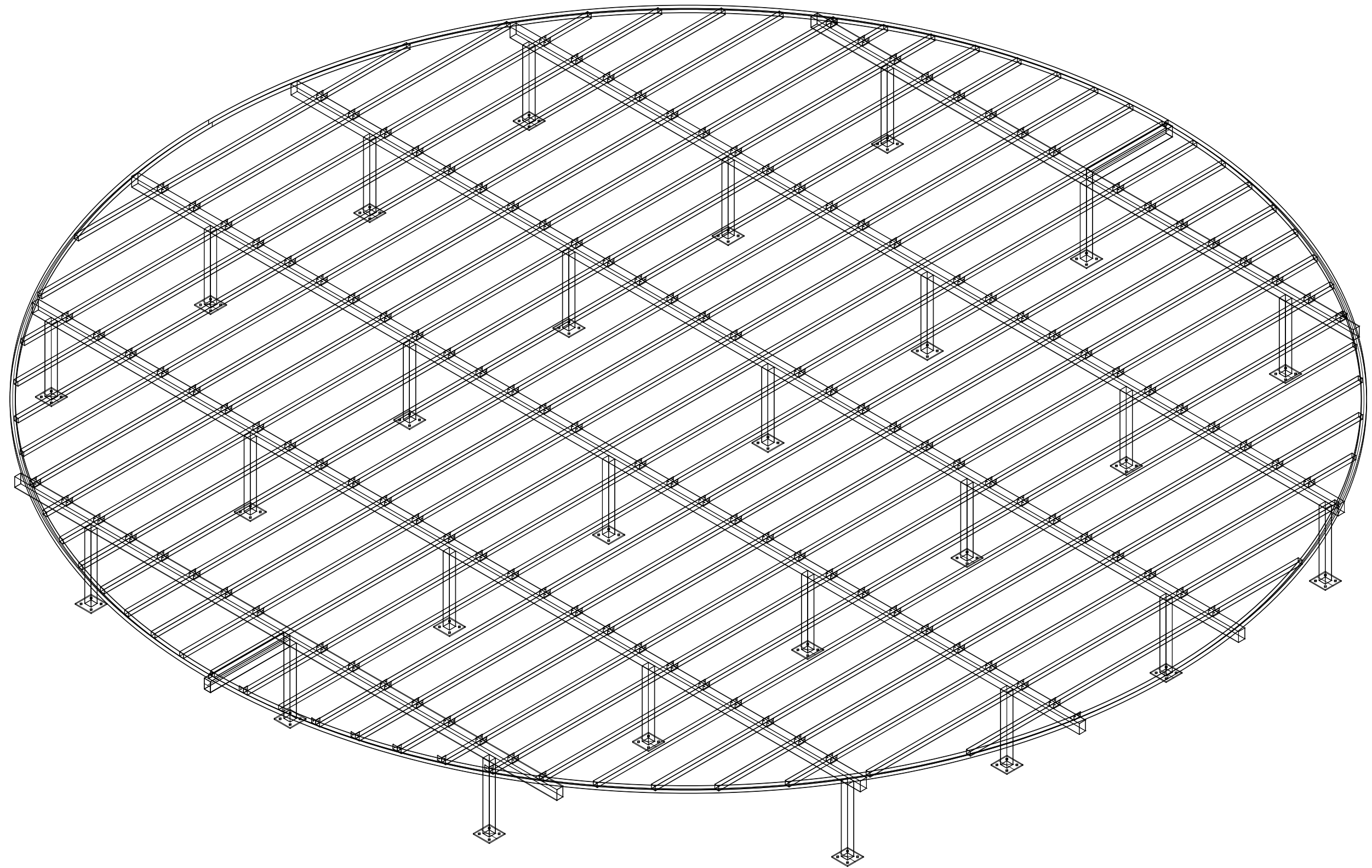


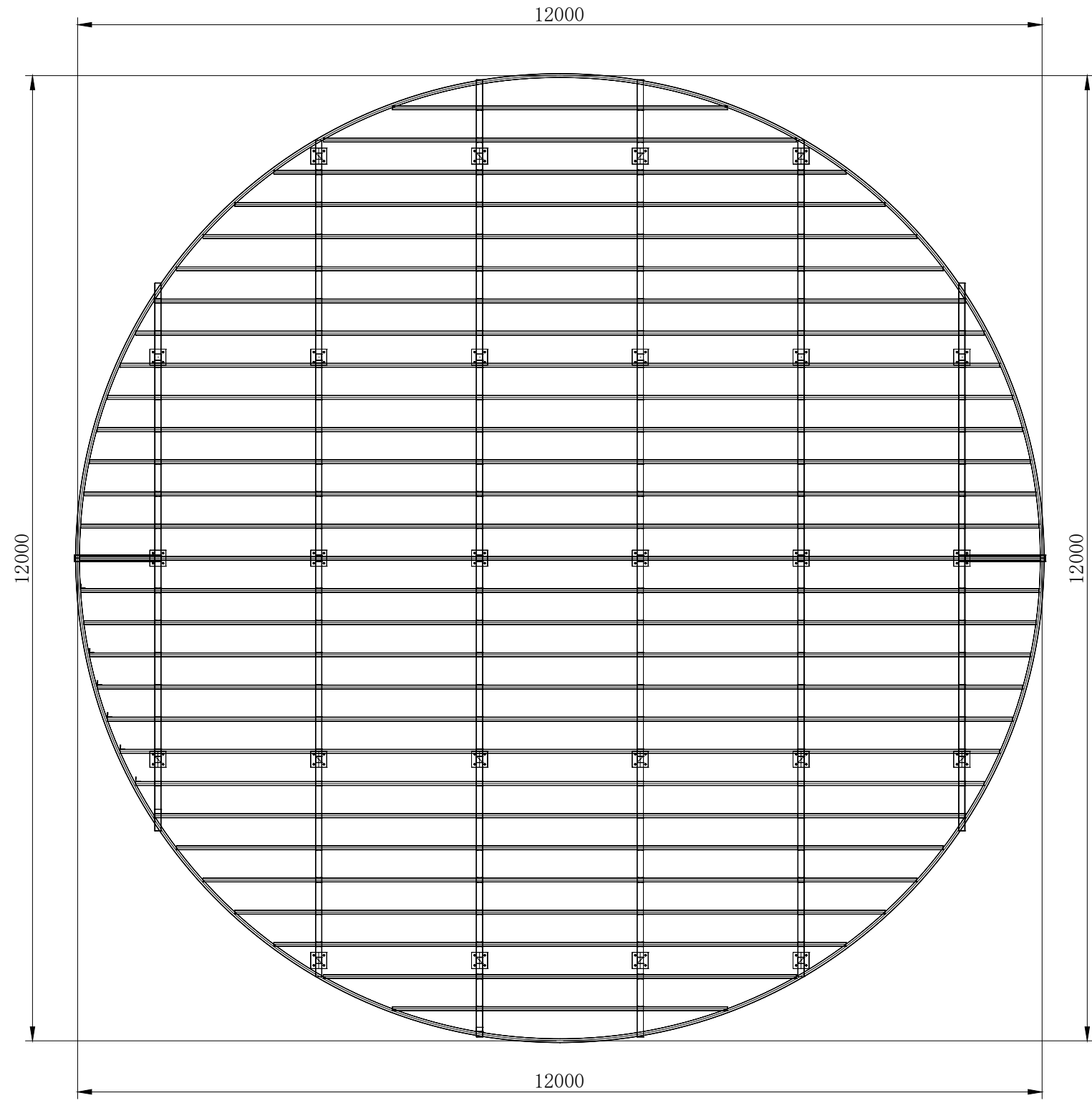
platform

Scheme diagram

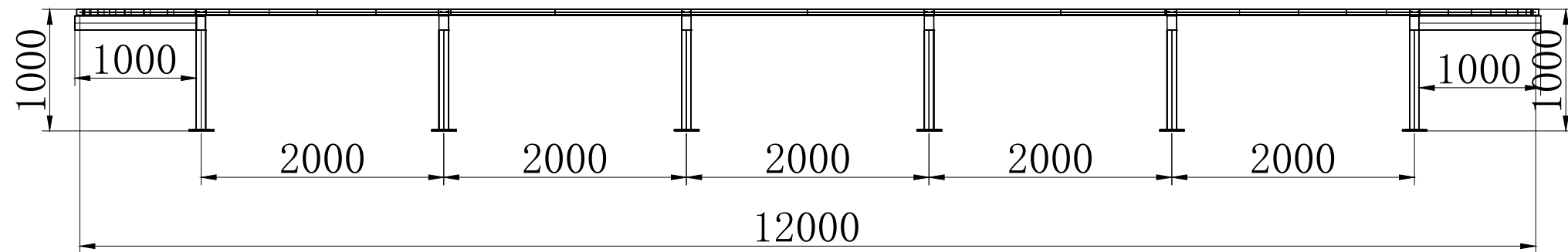


建筑轴测图 (1:50)

Architectural axonometric drawing

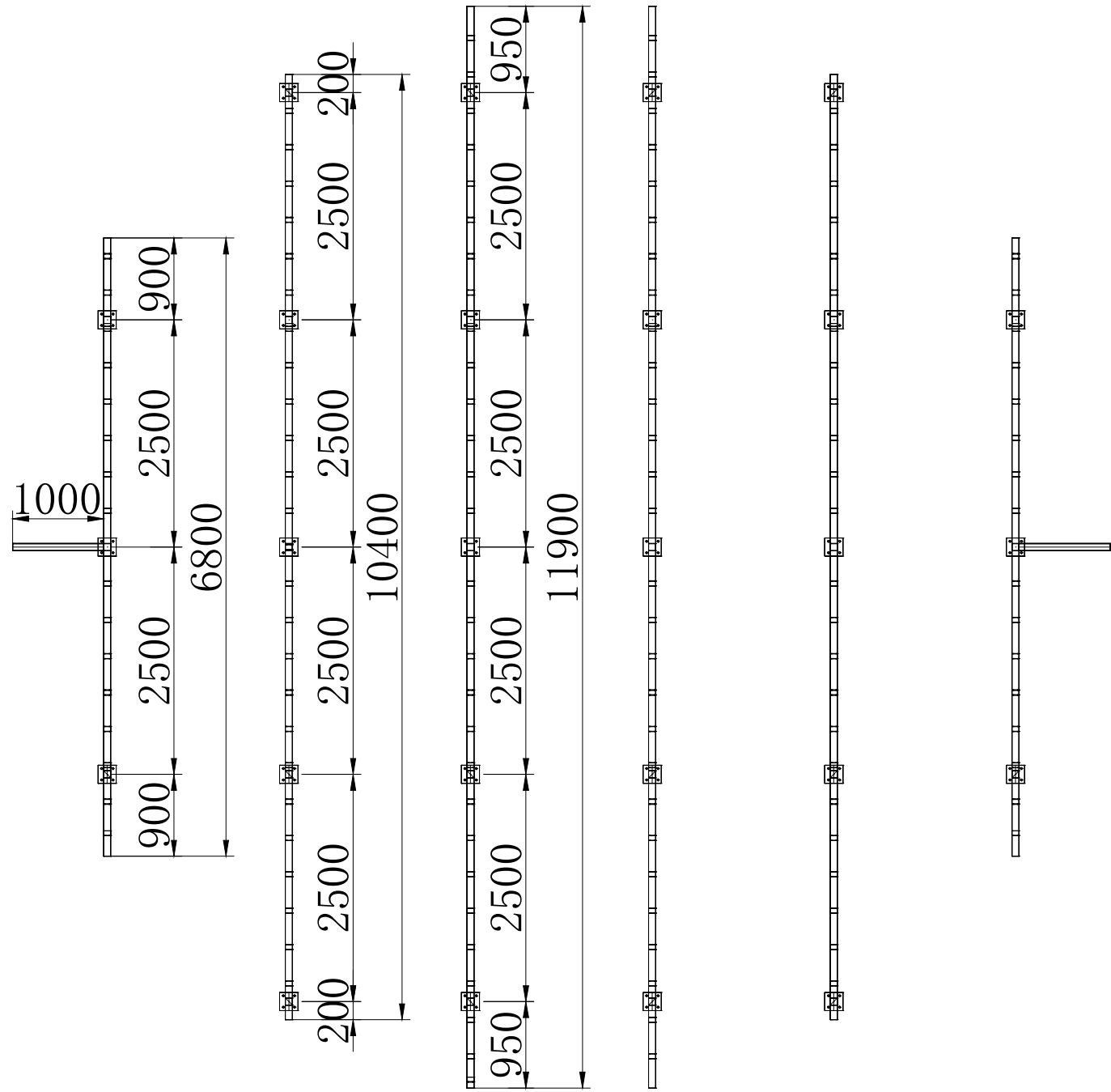


建筑平面图 (1:50)
Building plans



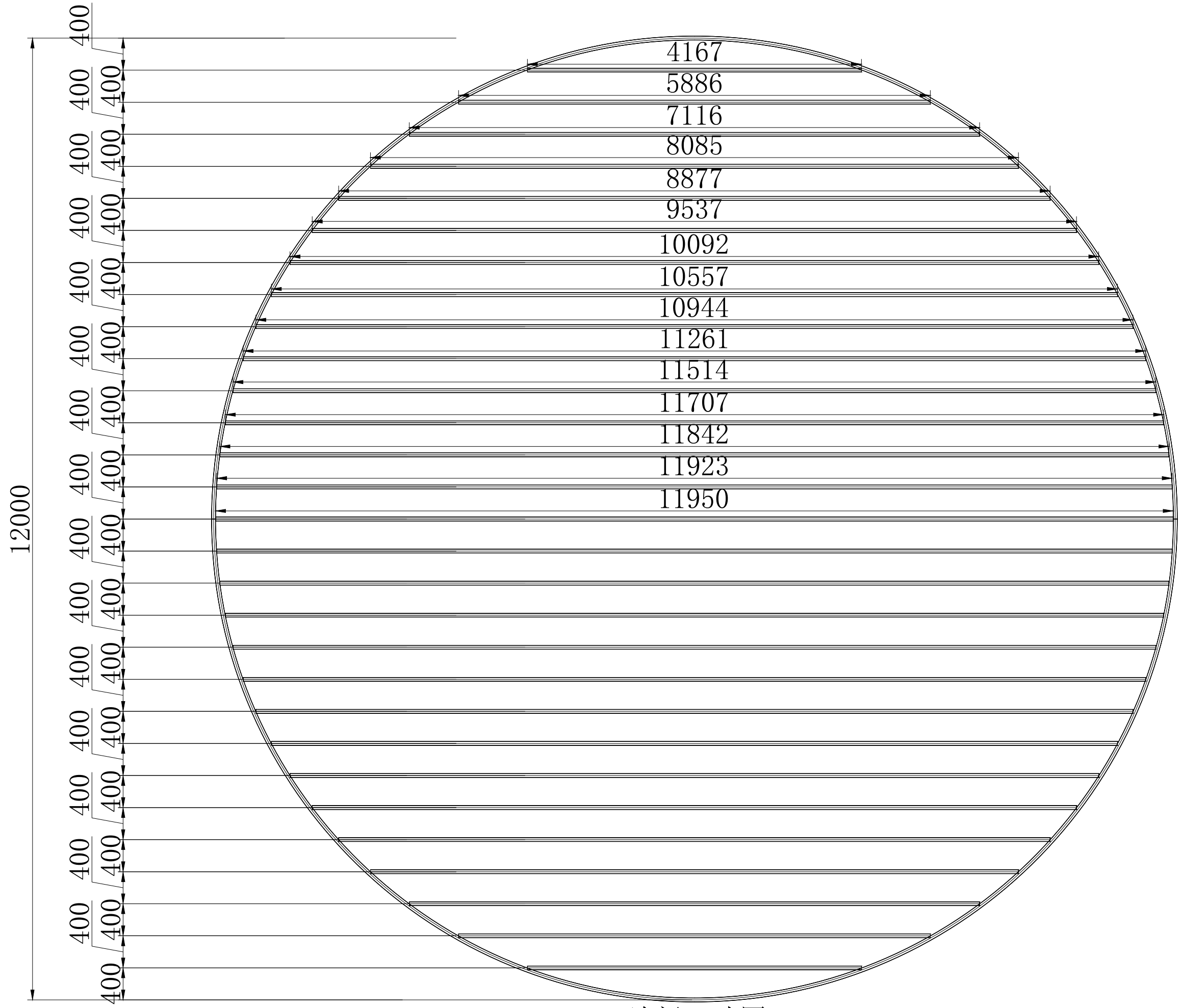
建筑立面图 (1:50)

Architectural elevation drawing



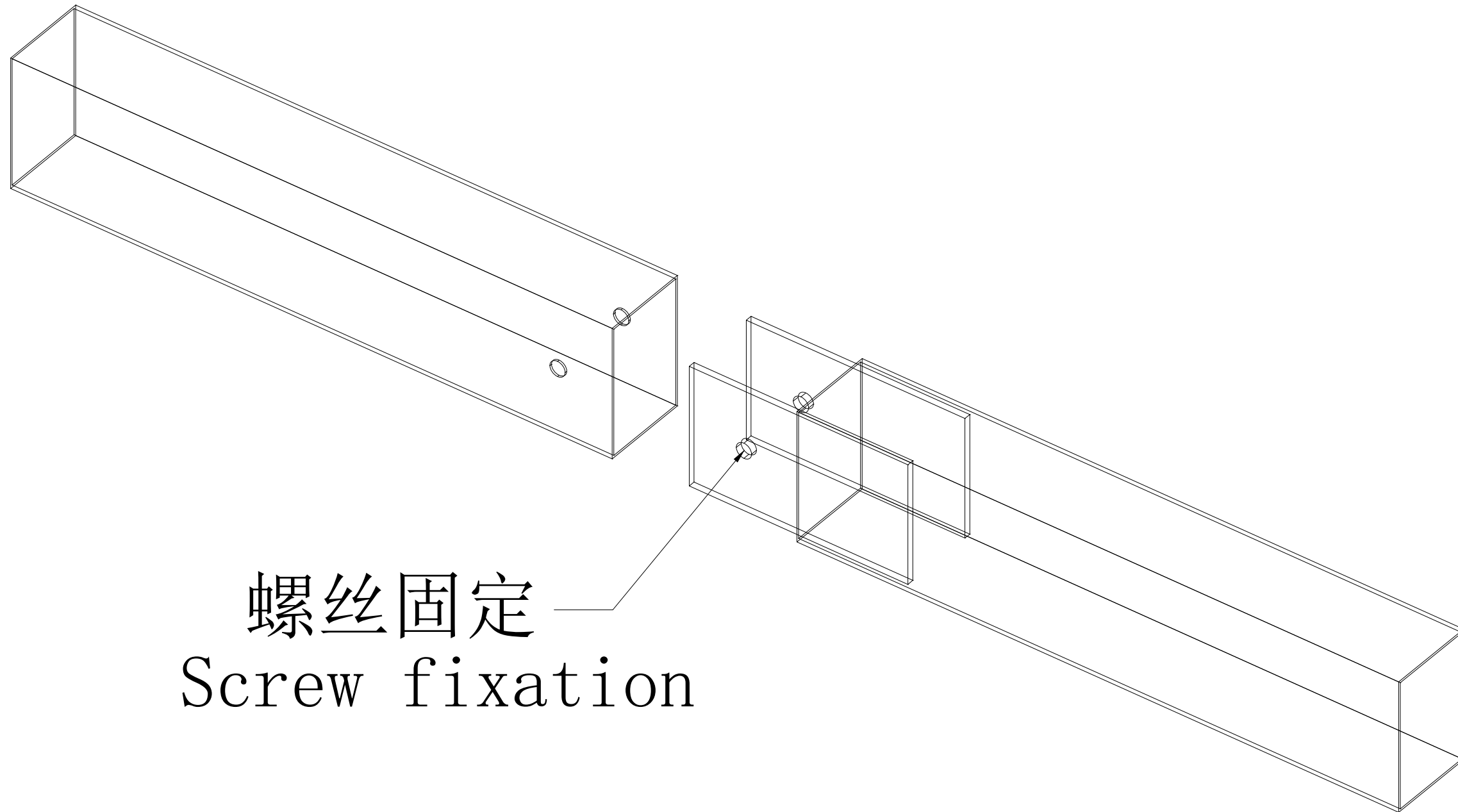
主梁尺寸图 (1:50)

Main beam dimension diagram
100x100x4



次梁尺寸图 (1:50)

Dimensional drawing of secondary beam
40x60x2



螺丝固定
Screw fixation

梁分截处连接方式 (1:50)

Connection method at the beam section



自攻钉固定

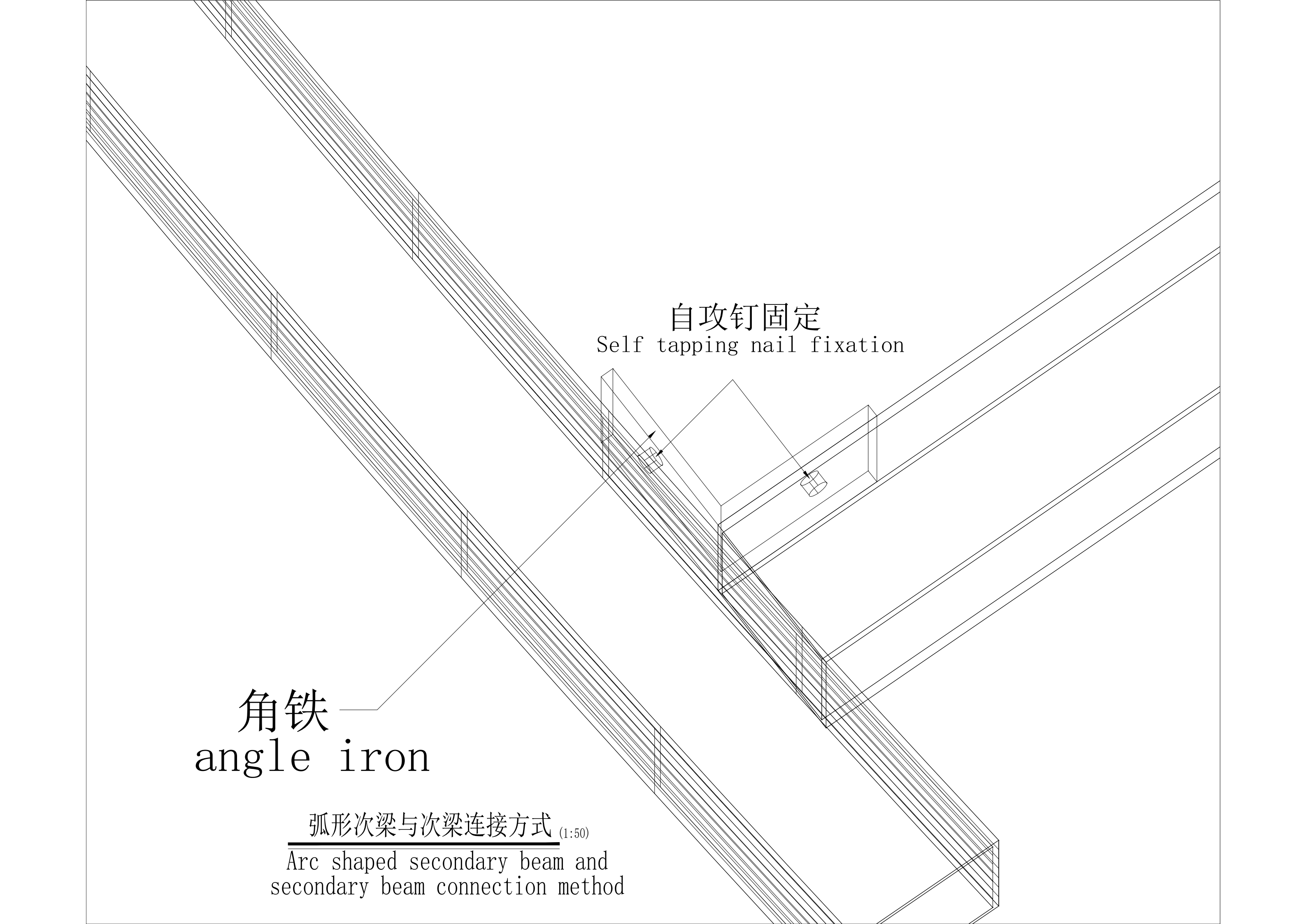
Self tapping nail fixation

U型槽

U-shaped groove

主梁次梁连接方式 (1:50)

Main beam and secondary beam connection method



角铁
angle iron

自攻钉固定
Self tapping nail fixation

弧形次梁与次梁连接方式 (1:50)
Arc shaped secondary beam and
secondary beam connection method