

# SHOWERS PUMPS & MACERATORS



## SHOWERS PUMPS & MACERATORS

DUO  
THERMOSTATIC  
VALVES  
KITS  
MIXERS  
ELECTRIC  
ENLIGHT®  
DUELEC  
UNIQ®  
POWER

# S

# SHOWERS

ALLINN QUADRA



- Manufactured from Premium Quality Grade A+ Brass
- 10 Year Manufacturers Warranty (finish & body)
- 3 Year Cartridge Warranty

■ 0.2 - 5 Bar Operating Pressure  
(unless otherwise stated)

## Allinn Quadra Combi Shower

with Piano Key Control Panel & 4 Way Water Outlets

Transform your daily routine into a spa-inspired escape with this luxury four-outlet shower system.

Designed for maximum versatility and relaxation, this set-up offers unparalleled flexibility, allowing you to customise your water experience.

- Thermostatic Valve
- Brass Core Material
- Zinc Alloy Handle
- Integrated Diverter
- Ceramic Disc Valve
- Stainless Steel Telescopic Adjustable Riser Rail
- 325 x 200 x 40 mm ABS Rainfall Shower Head
- ABS Bidet/Hand Spray
- 3 Mode ABS Handset
- Easy Fit Universal Handset Holder
- PVC Coated Chrome 1.5m Shower Hose
- LED Temperature Display
- Piano Key Control Panel
- 4 Water Outlets
- Easy Fit Fittings



Piano Key Controls & LED Light with temperature indicator



Chrome  
SH1495  
£754.00

Matt Black  
SH1495BK  
£829.00

Brushed Brass/Gold  
SH1495BG  
£942.00



Oroni Duo Thermostatic Shower

Insk Duo Thermostatic Shower



- Thermostatic Mixer
- Grade A+ Brass Valve
- Integral Ceramic Disk Diverter
- Stainless Steel Adjustable Riser Rail
- Ultra Slim 200mm Shower Head
- ABS Handset
- 1.5m Stainless Steel Hose
- Check Valve

Chrome  
SH1491 £216.00

Matt Black  
SH1491BK £249.00

Brushed Brass/Gold  
SH1491BG £263.00

Matching taps  
& accessories  
also available



- Thermostatic Mixer
- Grade A+ Brass Valve
- Integral Ceramic Disk Diverter
- Stainless Steel Adjustable Riser Rail
- Ultra Slim 200mm Shower Head
- ABS Handset
- 1.5m Stainless Steel Hose
- Check Valve

Chrome  
SH1492 £247.00

Matt Black  
SH1492BK £282.00

Brushed Brass/Gold  
SH1492BG £299.00

Matching taps  
& accessories  
also available

# SHOWERS

ORONI INSK



- Manufactured from Premium Quality Grade A+ Brass
- 10 Year Manufacturers Warranty (finish & body)
- 3 Year Cartridge Warranty

■ 0.2 - 5 Bar Operating Pressure  
(unless otherwise stated)

## Oroni Thermostatic Bath Shower Mixer System

## Insk Thermostatic Bath Shower Mixer System



Valve, Fixed Riser, Diverter Valve & Riser Rail Kit with Bath Filler & Ultra Slim Shower Head

- Thermostatic Valve
- Built-in Check Valve
- Stainless Steel Adjustable Height Telescopic Riser Rail
- Durable ABS 3 Mode Handset
- 1.5m Stainless Steel Hose
- Core Material Brass
- 200mm Slim Chrome Stainless Steel Shower Head with
- Aerator Spout

SH1493 **£239.00**



Bath Filler Spout



Valve, Fixed Riser, Diverter Valve & Riser Rail Kit with Bath Filler & Ultra Slim Shower Head

- Thermostatic Valve
- Built-in Check Valve
- Stainless Steel Adjustable Height Telescopic Riser Rail
- Durable ABS 3 Mode Handset
- 1.5m Stainless Steel Hose
- Core Material Brass
- 200mm Slim Chrome Stainless Steel Shower Head with
- Aerator Spout

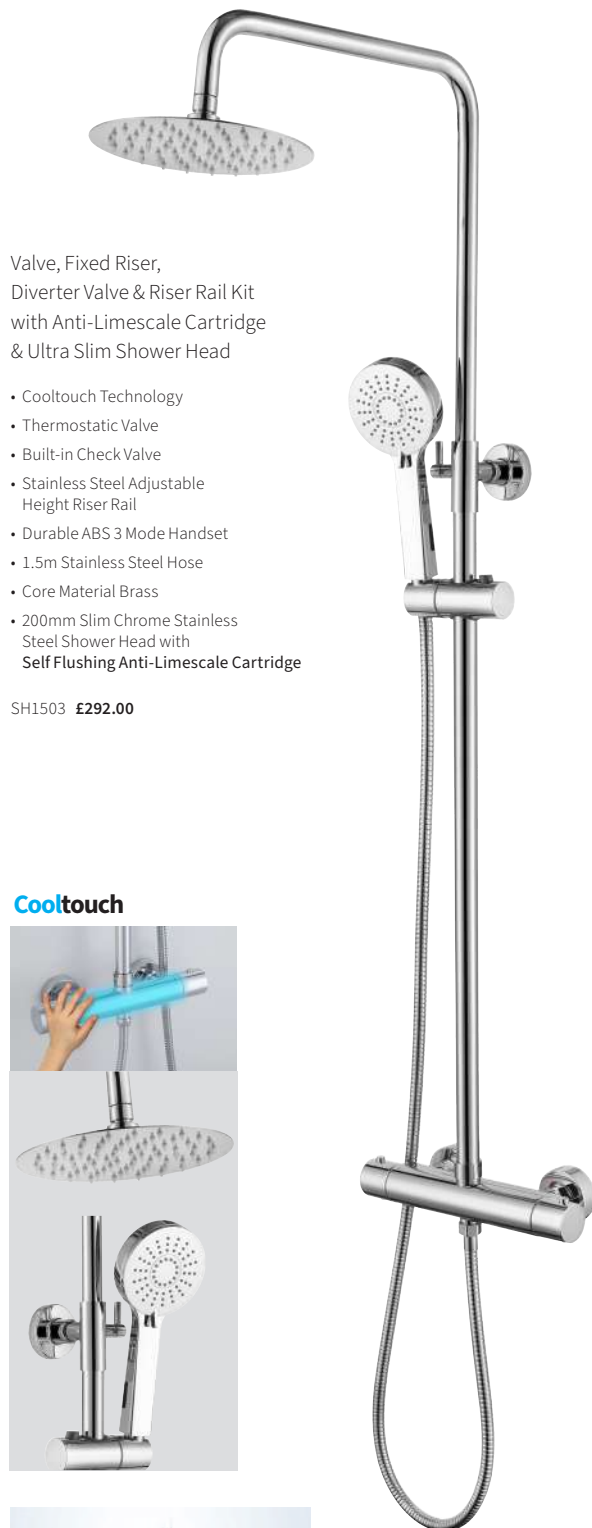
SH1494 **£290.00**



Bath Filler Spout



Airo Duo Thermostatic Shower

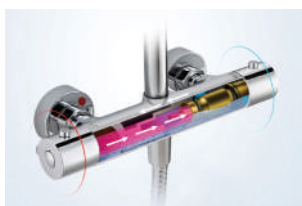


Valve, Fixed Riser, Diverter Valve & Riser Rail Kit with Anti-Limescale Cartridge & Ultra Slim Shower Head

- Cooltouch Technology
- Thermostatic Valve
- Built-in Check Valve
- Stainless Steel Adjustable Height Riser Rail
- Durable ABS 3 Mode Handset
- 1.5m Stainless Steel Hose
- Core Material Brass
- 200mm Slim Chrome Stainless Steel Shower Head with Self Flushing Anti-Limescale Cartridge

SH1503 £292.00

Cooltouch



Onaco Duo Thermostatic Shower



Valve, Fixed Riser, Diverter Valve & Riser Rail Kit with Anti-Limescale Cartridge & Ultra Slim Shower Head

- Cooltouch Technology
- Thermostatic Valve
- Built-in Check Valve
- Stainless Steel Adjustable Height Riser Rail
- Durable ABS Single Mode Handset
- 1.5m Stainless Steel Hose
- Core Material Stainless Steel
- 200mm Slim Chrome Stainless Steel Shower Head with Self Flushing Anti-Limescale Cartridge

SH1504 £368.00

Cooltouch



Integrated Diverter Control

AIRO DUO ONACO DUO

# SHOWERS

PIA ORONI INSK LOFI



- Manufactured from Premium Quality Grade A+ Brass
- 10 Year Manufacturers Warranty (finish & body)
- 3 Year Cartridge Warranty

■ 0.2 - 5 Bar Operating Pressure  
(unless otherwise stated)

## Pia Mini Thermostatic Shower Valve

- Brass Core Material
- Thermostatic Cartridge
- Check Valve
- Chrome Plated
- S Union Connectors
- Easy Fit

TA4225 **£153.00**



**Pia Kit  
Option 1**  
Capital Universal  
Hose, Bracket  
& Handset Kit  
TA1303 **£28.00**



**Pia Kit  
Option 2**  
Chrome Hand Spray  
complete with  
bracket & hose  
SH1541 **£39.00**



## Oroni Thermostatic Bar Valve & Riser Kit

- Thermostatic Valve
- Built-in Check Valve
- Adjustable Bracket
- Multi-fit Stainless Steel Riser Rail
- ABS 3 Mode Handset
- 1.5m Stainless Steel Hose
- Core Material Grade A+ Brass

Chrome SH1509 **£156.00**  
Matt Black SH1509BK **£175.00**



## Insk Thermostatic Bar Valve & Riser Kit

- Thermostatic Valve
- Built-in Check Valve
- Adjustable Bracket
- Stainless Steel Riser Rail
- ABS Handset
- 1.5m Stainless Steel Hose
- Core Material Grade A+ Brass

Chrome SH1508 **£195.00**  
Matt Black SH1508BK **£221.00**



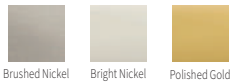
## Lofi

### Thermostatic Bar Mixer Valve with Rigid Riser Kit

- Low Pressure
- Thermostatic
- Core Material Brass
- ABS Handle
- Full Turn Valve
- Check Valve
- Stainless Steel Slider Rail
- Integral Soap Dish
- 3 Mode Durable ABS Chrome Handset
- 1.5m Stainless Steel Shower Hose
- Easy Fit

SH1545 **£215.00**





The below showers are available in four finish options as special order (7 - 10 working days price on application)

## Concealed Thermostatic Shower Mixer Valves & Kits

Single outlet valves are suitable for installation with single outlet option water delivery, i.e. overhead or riser rail.  
Dual outlet valves are suitable for installation with dual outlet option water delivery, i.e. overhead and riser rail.

Choose your design (round or square) → Choose Single (slider or fixed kit) or Dual (slider and fixed kit)

### Ashington

- Single & Dual point operation option
- Brass construction including wall plate
- 3/4 inch connections
- Thermostatic cartridge

Single  
SH1550  
£254.00



Dual  
SH1571  
£332.00



Dual  
Matt Black  
SH1571BK  
£382.00



Dual  
Brushed Brass  
/Gold  
SH1571BG  
£424.00



#### Ashington Slider Rail Kit

- Adjustable fixing brackets for replacing existing rail kits
- Stainless steel slider rail
- ABS handset
- Stainless steel 1.5m shower hose

Chrome SH1561 £61.00  
Matt Black SH1561BK £159.00  
Brushed Brass/Gold SH1561BG £221.00



#### Ashington Rigid Fixed Overhead Component Kit

Wall Outlet Elbow 1/2" Brass



Chrome SH1563 £46.00  
Matt Black SH1563BK £54.00  
Brushed Brass/Gold SH1563BG £63.00

300mm 1/2" Brass Shower Arm



Chrome SH1565 £58.00  
Matt Black SH1565BK £67.00  
Brushed Brass/Gold SH1565BG £79.00

250mm Diameter Slimline Shower Head



Chrome SH1577 £73.00  
Matt Black SH1577BK £108.00  
Brushed Brass/Gold SH1577BG £177.00

### Ellington

- Single & Dual point operation option
- Brass construction including wall plate
- 3/4 inch connections
- Thermostatic cartridge

Single  
SH1551  
£254.00



Dual  
SH1572  
£333.00



Dual  
Matt Black  
SH1572BK  
£382.00



Dual  
Brushed Brass  
/Gold  
SH1572BG  
£424.00



#### Ellington Slider Rail Kit

- Stainless steel slider rail
- ABS handset
- Stainless steel 1.5m shower hose

Chrome SH1562 £58.00  
Matt Black SH1562BK £73.00  
Brushed Brass/Gold SH1562BG £230.00



#### Ellington Rigid Fixed Overhead Component Kit

Wall Outlet Elbow 1/2" Brass



Chrome SH1564 £46.00  
Matt Black SH1564BK £57.00  
Brushed Brass/Gold SH1564BG £67.00

300mm 1/2" Brass Shower Arm



Chrome SH1566 £101.00  
Matt Black SH1566BK £106.00  
Brushed Brass/Gold SH1566BG £114.00

250mm Diameter Slimline Shower Head



Chrome SH1578 £82.00  
Matt Black SH1578BK £124.00  
Brushed Brass/Gold SH1578BG £165.00



# SHOWERS



- Manufactured from Premium Quality Grade A+ Brass
- 10 Year Manufacturers Warranty (finish & body)
- 3 Year Cartridge Warranty

■ 0.2 - 5 Bar Operating Pressure  
(unless otherwise stated)

## Concealed & Exposed Concentric Thermostatic Shower Mixer Valves & Kits

Single outlet valves are suitable for installation with single outlet option water delivery, i.e. overhead or riser rail.

Choose your design (contemporary or traditional)

Choose slider or fixed kit

### Elier Contemporary



- Adjustable centres 130 - 160mm for easy installation
- Brass construction including wall plate on concealed option
- ½ inch compression connections
- Thermostatic cartridge

Concealed Valve  
SH1547 **£360.00**



Exposed Valve SH1546 **£358.00**



### Avana Traditional



- Adjustable centres 130 - 160mm for easy installation
- Brass construction including wall plate on concealed option
- ½ inch compression connections
- Thermostatic cartridge
- Ceramic handle insert

Concealed Valve  
SH1549 **£360.00**



Exposed Valve SH1548 **£358.00**



### Exposed Slider Rail Kit Round Chrome

- Adjustable fixing brackets for replacing existing rail kits
- Stainless steel slider rail
- ABS handset
- Stainless steel 1.5m shower hose

Chrome  
SH1561 **£61.00**



### Exposed Slider Rail Kit Square Chrome

- Stainless steel slider rail
- ABS handset
- Stainless steel 1.5m shower hose

Chrome  
SH1562 **£58.00**



### Exposed Slider Rail Kit Traditional Chrome

- Brass slider rail
- Brass fixing kit
- Brass & Ceramic handset
- Adjustable brass handset holder
- Stainless steel 1.5m shower hose

Chrome  
SH1552 **£162.00**



### Concealed Fixed Overhead Kit Round

300mm ½" Brass Shower Arm



Chrome SH1565 **£58.00**

### Concealed Fixed Overhead Kit Square

300mm ½" Brass Shower Arm



Chrome SH1566 **£101.00**

### 250mm Diameter Slimline Shower Head



Chrome SH1577 **£73.00**

### 250mm Diameter Slimline Shower Head



Chrome SH1578 **£82.00**

## Universal Duo Shower Rail Kit

### Exposed Shower Rail Kit

- Stainless steel adjustable riser rail
- Ceramic disc diverter cartridge
- Chrome/ABS 200mm diameter showerhead
- Chrome/ABS 3 mode shower handset
- 1.5m & 1m stainless steel shower hoses
- (to be used in conjunction with the Ashington round wall outlet elbow featured on the previous page)

SH1569 **£270.00**



### Concealed Shower Rail Kit

- Stainless steel adjustable riser rail
- Integrated ceramic disc diverter valve
- Ceramic disc diverter cartridge
- Chrome/ABS 250mm diameter showerhead
- Chrome/ABS 3 mode shower handset
- 1.5m stainless steel shower hose

SH1570 **£270.00**



## Shower Valve Fixing Kits Makes installation so much quicker and easier

### Universal Exposed Fast Fitting Kit

- 15mm Compression Connections

SH1505 **£21.00**



### Universal Exposed Fixing Plate CP

- ½" BSP Connections

SH1329 **£63.00**



### Shower Valve Wallplate Fixing Elbows

- ½" BSP & 15mm Connections

SH0124 **£62.00**



PRICES ARE INCLUSIVE OF VAT

**TRITON** Electric Showers

**ENVI®**  
Next generation electric showers

ENVI® offers intuitive control with a unique personalised showering experience. Featuring a full colour digital display, user profile personalisation and cost consumption breakdown, all whilst keeping the Tri-Hub out of sight.

- Reinvigorating the electric showering market.
- Hi-tech touch screen user interface for the ultimate in showering control
- User personalisation of the shower including ECO settings
- Removing the traditional “Box on the wall” for minimalist aesthetics
- Flexible installation options
- Choice of finishes and kits for package hierarchy and differentiation
- Climate Partner certified product
- Future proofing upcoming legislation.



2 Colour Options designed to match the latest bathroom trends - full colour digital display



Black



Silver

ENVI® - 4 kits in 2 shades

Our next generation ENVI® comes with 3 kit options, fixed ceiling fed, ceiling fed and inline-wall. With finishes of Silver and Black there's choice for every bathroom.

Did you know?

A family of 4 could save over £250\* by reducing their average shower duration by 3 minutes. The water saved would also equate to 20,815 litres and a carbon saving equivalent to driving 718 miles in a family car.

\*Estimated savings based on a family of 4, each having a daily shower 41°C in the ENVI® 10.5kW electric shower

The Shower that lets you manage costs and monitor usage



Flexible installation options



Can be installed in your loft space



Suitable for locating in an airing cupboard



Retro-fittable option for replacing an existing electric shower

What makes ENVI® unique?

<p>Manage Costs</p>	<p>Shower Timing</p>	<p>Thermostatic Temperature</p>	<p>Personalisation</p>	<p>Eco Mode</p>
---------------------	----------------------	---------------------------------	------------------------	-----------------



Thermostatic Shower & Single Outlet Wall Fed Kit

		9kW		10.5kW
■ Chrome	SH0971	£699.00	SH0972	£744.00
■ Matt Black	SH0973	£744.00	SH0974	£774.00



Thermostatic Shower & Single Outlet Ceiling Fed Kit

		9kW		10.5kW
■ Chrome	SH0989	£829.00	SH0990	£829.00



Thermostatic Shower & Single Outlet Fixed Head Kit

		9kW		10.5kW
■ Chrome	SH0983	£699.00	SH0984	£744.00
■ Matt Black	SH0985	£744.00	SH0986	£773.00

**ENVI®**  
Next generation electric showers

Alternative Finishes to Chrome (where applicable)



Matt Black

Optional Extras

Retro fit Plate SH0992 £83.00

Retro fit Shelf SH0991 £33.00



Retro-fittable options for replacing an existing electric shower

## TRITON Electric Showers

### UNI<sup>Q</sup>

#### Electric Shower System

The first single outlet overhead electric shower

Rainfall shower heads are an extremely popular choice among UK consumers seeking a luxurious showering experience. Moreover more homeowners than ever are interested in adding bathrooms or en-suites with electric showers, which provide an efficient energy solution.

The **UNI<sup>Q</sup> Shower System** is designed to provide overhead electric showering whilst optimising space.

- Minimalist design
- Space-saving solutions, install on either a flat wall or in a corner
- Flexible, telescopic, horizontal arm & large 200mm diameter shower head providing great shower coverage



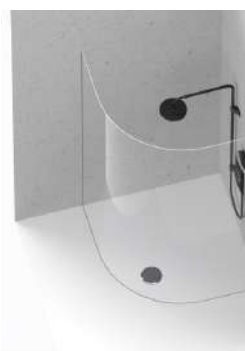
#### Installation Options



Corner



Corner - Extended



Back To Wall



Back To Wall - Extended

#### Colour Options



Dark Bronze



Pewter



Matt Black



Nickel

## UNIQ® 9.5kW Electric Shower System &amp; Matt Black Riser Kit

Aspirante Dark Bronze	SH0968	£454.00
Aspirante Pewter	SH0967	£454.00
Aspirante Matt Black	SH0965	£454.00
Aspirante Nickel	SH0966	£454.00



**TRITON** Electric Showers

ENlight®

Thermostatic Electric Shower  
with Back to Wall Kit

ENlight® blends cutting-edge design and thermostatic temperature control to deliver an elevated showering experience without compromise.

Enjoy the ultimate fusion of relaxation and efficiency with a space-saving back-to-wall shower kit featuring a full digital display, along with optional eco-mode to conserve water, energy, and money.

- Tri-Protect® precise thermostatic temperature control
- Feedback panel showing selected temperature & shower duration
- Timing function - helping reduce shower time & running costs
- 5 minute Eco Mode to help reduce water usage & costs
- Back to wall space saving kit
- 5 spray shower head with removable spray plate & 1.5m anti-twist hose
- Efficient A energy rating



ENlight® 9.5kw  
White with Black BTW Kit  
SH0751 £696.00

**Distinctive design** - A choice of on trend finishes and a contemporary back to wall kit ensures ENlight® will complement a versatile range of bathroom décors.

**Precise temperature control** - Tri-Protect® thermostatic temperature control delivers an enhanced showering experience by keeping water at the perfect, consistent temperature, compensating for changes to incoming water pressure.

**Stylish & practical kit** - A sleek back to wall kit provides both style and purpose, space saving and complete with a five spray pattern shower head for superior choice of showering experience.

**Full control** - A digital feedback panel, complete with shower timer and temperature display, with optional eco-mode function, put the user in control to get the very most out of the ENlight® showering experience whilst also saving water, energy and money.

**Peace of mind** - The ENlight® enjoys a 2-year parts and labour guarantee, so you can rest easy.

**Efficient A energy rating.**



ENlight® 9.5kw  
Grey with Black BTW Kit  
SH0752 £734.00



ENlight® 9.5kw  
Taupe/Brass with Black BTW Kit  
SH0753 £781.00



Electric Showers

# ENlight®

Thermostatic Electric Shower with UNIQ® Kit

Discover the distinctive ENlight® electric shower - the shower which combines unique experiences with precision performance leave you enjoying a great shower day after day.

Enjoy the ultimate fusion of relaxation and efficiency with a luxurious overhead UNIQ® shower kit and a full digital display, wi optional eco-mode to save water, energy and money.

A choice of contemporary finishes is perfect for versatile bathroom décors, complete with overhead UNIQ® shower kit in black or chrome (white only).

**ENlight® 9.5kw with UNIQ® Black Kit**

White	SH0754	£781.00
Grey	SH0755	£821.00
Taupe/Brass	SH0756	£868.00

**ENlight® 9.5kw with UNIQ® Chrome Kit**

White	SH0757	£764.00
-------	--------	---------



# ENlight®

Thermostatic Electric Shower with HeatRepeat® technology



Scan this to find out more

Triton HeatRepeat® (part of the Triton ENlight® | HeatRepeat® range) is innovative technology in Triton's electric showers that works with Waste Water Heat Recovery Systems (WWHRs) to capture energy from used shower water, preheating the incoming cold water to reduce overall energy and water consumption, leading to significant savings and lower carbon emissions for more sustainable, future-ready homes.

**How it works:** Waste Water Heat Recovery: A WWHRs captures heat from the shower's waste water before it goes down the drain.

**Pre-heating:** This recovered heat is used to warm up the cold water entering the ENlight® shower.

**Reduced Energy Demand:** Because the water is already partially warm, the electric elements in the shower don't have to work as hard or as long to heat it to the desired temperature, cutting energy use.

**Key Benefits:** Saves Energy & Water: Can cut energy use by up to 51% and water use by 44% compared to standard mixer showers with WWHRs.

**Lower Bills & Emissions:** Significantly reduces running costs and carbon footprint, helping homes meet new building standards.

**Consistent Performance:** Delivers a stable, enjoyable shower experience year-round, even with varying incoming water temperatures.

**Future-Proofing Homes:** Supports housebuilders in creating zero-carbon-ready homes that comply with strict regulations.

**In short, it's a smart, sustainable solution for efficient electric showering that's designed for modern homes**



<b>44%</b> Lower water usage	<b>51%</b> Reduced energy consumption	<b>37%</b> Reduced carbon emissions
---------------------------------	--	--



ENlight® 9.5kw White with Black BTW Kit  
SH0758 £772.00

ENlight® 9.5kw White with Black UNIQ® Kit  
SH0759 £858.00



Electric Showers

Amore

Sleek, modern and ultra-stylish, Amore is an elegant and easy-to-operate shower range you're sure to love using first thing.

- Choice of three finishes
- Available in 8.5kW and 9.5kW
- Digital display with temperature readout
- Contemporary sleek cover
- Accompanied by the slender kit:
- Circular rub clean, five spray pattern shower head



<b>Black Gloss</b>	<b>White Gloss</b>	<b>Brushed Steel</b>
8.5kW SH0842	8.5kW SH0843	8.5kW SH0841
9.5kW SH0845	9.5kW SH0846	9.5kW SH0844

8.5kW or 9.5kW **£360.00** all finishes



Aspirante

Whether you're out to add a cool feature to your bathroom or find inspiration for a complete bathroom renovation, Aspirante puts cutting-edge design at the heart of your bathroom.

- Choice of four finishes
- Available in 8.5kW and 9.5kW
- Contemporary sleek cover
- One central control dial
- Phased shut down
- Circular rub clean 3 spray pattern shower head
- Easy clean face



<b>White Gloss</b>	<b>Black Gloss</b>	<b>Brushed Steel</b>	<b>Gun Metal</b>
8.5kW SH0851	8.5kW SH0853	8.5kW SH0855	8.5kW SH0857
9.5kW SH0852	9.5kW SH0854	9.5kW SH0856	9.5kW SH0858

8.5kW **£331.00** all finishes

9.5kW **£344.00** all finishes



### Aspirante Black *Limited Edition*

New Matt Black finish with matching accessories offers a distinctive contemporary look.

- Easy to use controls with illuminated soft press start/stop button, and temperature dial.
- Phased shutdown flushes out preheated water after use to help reduce limescale build up.
- Swivel-Fit™ for left and right-hand side water connections.
- Dura-Flow™ five spray pattern, rub clean shower head with removable spray plate for cleaning and 1.5m anti-twist hose.

8.5kW SH0921 **£471.00**

9.5kW SH0922 **£490.00**



Soap dish no longer included

### Amala

Eye-catching contemporary design with accented metallic tones

- Select from two metallic effect finishes - Matt Black Copper and Matt Black Brass
- Easy to use - soft touch power buttons
- Start/stop push button
- Phased shutdown - Flushes out preheated water after use to help reduce limescale build up
- Stylish slender shower kit - five spray head with removable spray rail, 1.5 anti-twist hose and 530mm rail
- Suitable for cold mains only
- 2 year parts and labour guarantee
- Efficient A energy rating

8.5kW Brushed Brass SH0951 **£487.00**

8.5kW Brushed Copper SH0953 **£487.00**

9.5kW Brushed Brass SH0952 **£510.00**

9.5kW Brushed Copper SH0954 **£510.00**



(d)

PRICES ARE INCLUSIVE OF VAT

# SHOWERS

ELECTRIC SHOWERS

## TRITON

### Danzi DuElec™

Offers simple to use style and an array of wonderful features, enhancing your showering experience by allowing you to divert between a handheld and fixed rainfall shower head

- Select from two finishes - Matt Black and Matt White
- Choice of showering experience- divert water between a 5 spray pattern shower head and luxurious fixed rainfall shower head, or even use both together
- Easy to use - power buttons
- Start/stop push button
- Phased shutdown - Flushes out preheated water after use to help reduce limescale build up
- 5 spray shower head with removable spray plate and 1.5m anti-twist hose
- 0.75m anti-twist diverter connector hose
- Suitable for cold mains only
- 2 year parts and labour guarantee
- Efficient A energy rating

9.5kW White/Chrome SH0942 **£439.00**  
 9.5kW Black SH0941 **£484.00**  
 10.5kW White SH0940 **£462.00**



### Amore DuElec™

Sleek, elegant and ultra-easy to use, enhancing your showering experience by allowing you to divert between a handheld and fixed rainfall shower head

- Select from two finishes - Gloss Black or Gloss White
- Choice of showering experience- divert water between a 5 spray pattern shower head and luxurious fixed rainfall shower head, or even use both together
- Crisp white digital display with temperature read out
- Touch activated power selector, on/off button and temperature control dial
- 5 spray shower head with removable spray plate and 1.5m anti-twist hose
- 0.75m anti-twist diverter connector hose
- Suitable for cold mains only
- 2 year parts and labour guarantee
- Efficient A energy rating

9.5kW White/Chrome SH0946 **£642.00**  
 9.5kW Black SH0945 **£744.00**





Electric & Power Showers

ELECTRIC SHOWERS & POWER SHOWERS

Avena 8.5kW & 9.5kW Electric Shower

The clean contemporary styling of the Avena makes it a class leading value for money ideal replacement electric shower.

- Swivel-Fit™ - A 180° reversible water inlet providing left and right hand-side water connectivity
- Left and right hand side cable entry points
- Separate power and temperature controls
- Combined rotary start/stop & power control
- Stabilised temperature control
- White/chrome shower kit with single spray pattern head
- Water pressure min 1bar (running at 8 l/min)
- Water pressure max 10 bar (static)
- 8.5kW & 9.5kW power ratings
- Two year guarantee

8.5 & 9.5kW  
£134.00

8.5kW SH0961 £134.00  
9.5kW SH0962 £134.00



T80z Fast-Fit

The original T80 model, the Fast-Fit has that unbeatable combination of an easy-to-install shower, classic looks and all at great value for money.

- Available in 7.5kW, 8.5kW, 9.5kW and 10.5kW
- Water saving option - T80 Fast-Fit Eco (ECO8008ZFF)
- Easy to use - power and temperature dials
- Start/stop push button
- Easily replaces most electric showers - 8 water and 6 cable entry points (left & right hand side)
- Swing-Fit™ - terminal block for left and right cabling
- Swivel-Fit™ - 180° fully reversible swivel water inlet that accommodates water connections
- Adjustable shower kit five spray shower head, 1.25m anti-twist hose and 530mm rail
- Suitable for cold mains only
- 2 year parts and labour guarantee
- Efficient A energy rating

7.5kW SH0881 8.5kW SH0882 9.5kW SH0883 10.5kW SH0884

T80z Fast-Fit £253.00



AS2000SR (Quiet Running) Power Shower

Triton's NEW quiet running thermostatic power shower is so quiet that when the water is running, you won't hear the pump, and as such has been awarded the Quiet Mark award of approval.

The AS2000SR is the perfect solution for those with low pressure systems, providing a great flow rate of up to 14 litres per minute.

- Easy to use start/stop button
- Thermostatic control constantly regulates the temperature
- Adjustable maximum temperature stop reduces the risk of accidentally turning the temperature too high
- Multiple cable and water entry points including the Triton Swivel Fit Water Inlet, enabling top, rear or bottom entry for ease of installation
- Larger footprint makes it an ideal replacement for existing Triton power shower models
- Large 5 mode, rub clean shower head with 1.25m anti-twist hose

SH0886 £415.00



T80z Thermostatic Fast-Fit

The T80z Thermostatic Fast-Fit uses the Dura-Flow™ technology for a longer lasting shower, making it ideal for hard water areas. With all the installation benefits of the Fast-Fit but with precise thermostatic temperature control, this T80 is ideal for busy households where someone is always using water, whether flushing the toilet or running a tap.

- 8 water and 6 cable entry points
- Push button Start/ Stop
- Swing-Fit™ terminal for left and right-hand side cable connections
- Swivel-Fit™ - A 180° fully reversible water inlet for left and right-hand side water connections
- Riser rail shower kit with adjustable fixing centre
- Five spray pattern rub clean shower head
- 1.25m anti twist hose
- 8.5kW

SH0880 £395.00



(d)

PRICES ARE INCLUSIVE OF VAT

# TRITON Mixer Showers

## Dene Concentric Mixer Shower

Dene concentric features thermostatic temperature control, which compensates for variations in water pressure for a more precise, consistent showering temperature, ideal for family usage. The inclusion of a wall fixing plate with four fixing hole options assists with installation.

- Thermostatic temperature control for added peace of mind
- Separate forward facing flow and temperature controls
- Can be installed exposed or concealed (concealed fixing plate included)
- Includes riser rail kit with adjustable wall fixing centres and a three spray pattern shower head
- Suitable for all water systems including gravity fed
- WRAS approved for water supply regulations compliance
- Includes all necessary fittings for easy installation
- 5 year parts and labour guarantee

SH0899 **£372.00**  
Includes Chrome Fixing Plate for Concealed Installation



Soap dish no longer included



Soap dish no longer included



## Dene Cool Touch Bar Mixer Shower

Looking for style, versatility and an easy installation?

Our Dene range should be the very first thing on your list. Coming in a handsome, minimal, chrome design and suiting every kind of household water system, it really is the perfect all-rounder. If you wish to fit the shower yourself, then no problem, or if you're hiring a professional they'll thank you for the easy task.

- All chrome with quality metal handles
- Suitable for all water systems including gravity fed
- Durable design including ceramic disc flow control
- Riser rail kit with adjustable top bracket
- 3 spray pattern rub clean shower head
- Cool Touch



Dene Cool Touch Bar Mixer with Kit & Fast Fit Brackets

SH0901 **£196.00**



Soap dish no longer included

### Exe Cool Touch Bar Mixer Shower

Want quality, durability and value for money?

A contemporary thermostatic bar mixer designed for easy installation, combined with appealing design to offer excellent functionality and value for money.

The Exe bar mixer's durable design features a ceramic disk flow control and for easy fitting includes one piece, one screw rail fixings with adjustable centres. The Exe's 'cool touch' metal valve body does not get warm to the touch, ensuring added showering comfort and safety for children when showering.

- Thermostatic temperature
- Cool touch mixer
- Automatic shutdown safety feature
- Suitable for all pressure systems
- Separate flow and temperature controls
- Rub clean shower head - Three spray patterns
- 5 year parts and labour guarantee



Exe Cool Touch Bar Mixer with Kit SH0893 £174.00



### Exe Cool Touch Lever Bar Mixer Shower

This lever handled variant of the Exe bar mixer offers all the fantastic easy installation benefits and value for money of the standard Exe mixer, with the addition of easy to grip and turn lever controls.

- Thermostatic temperature control for added peace of mind
- Cool touch mixer - ensures that the valve remains comfortable to touch
- Automatic shutdown safety feature should either the hot or cold water supplies fail
- Suitable for all pressure systems
- Separate flow and temperature lever controls
- Rub clean shower head - Three spray patterns
- 5 year parts and labour guarantee



Exe Cool Touch Lever Bar Mixer with Kit SH0894 £179.00



### Dene Lever Cool Touch Bar Mixer Shower with Grab Bar

Lever handles provide extra assistance to make the shower controls easier to operate, whilst 'cool touch' prevents the metal valve body getting warm to the touch for added comfort and safety in the shower..

- Cool touch feature - ensures that the valve remains comfortable to touch
- Lever handle flow and temperature controls - easy to grip and turn
- Suitable for all systems, including gravity fed
- Durable design with ceramic disc flow control
- Dual purpose grab riser rail bar supports load of up to 150kg with a five spray shower head
- 5 years parts and labour guarantee



Dene Lever Cool Touch with Grab Bar SH0900 £402.00





Mixer Showers

Push Button Diverter Mixer Shower

Contemporary chrome finish bar diverter mixer shower, featuring a push button to make switching between the single spray pattern shower handset and fixed (rainfall) shower head easy whilst showering. Designed with a stylish shelf, useful for placing a shampoo bottle.

- Thermostatic temperature control
- Suitable for high pressure water systems only
- 5 year parts and labour guarantee
- Available in three colours

Chrome	SH0824	£421.00
Matt Black	SH0825	£421.00
Brushed Brass	SH0829	£486.00



**TRITON**

Water Heating

**T30i Manual Handwash**

The T30i Handwash is designed as a compact unit, making it perfect for fitting into small spaces and providing a source for instant hot water where only a cold mains water supply is available.

- Heats water on demand and is ideal where only a cold mains supply is available
- Fitted with a 200mm swivel arm
- Quick and easy install with nut and olive



SH0931 £114.00



**T30i Infra Red Handwash**

A compact unit, T30iR is perfect for fitting into small spaces and providing a source for instant hot water where only a cold mains water supply is available.

- Heats water on demand and is ideal where only a cold mains supply is available
- Fitted with a 200mm swivel arm
- Quick and easy install with nut and olive



SH0932 £154.00



**Instantaneous Water Heaters**

**Single Point**

- Heats the water when it starts to flow through for an economical hot water solution as no power is used when in standby operation
- Power selection is smooth and easy for optimum settings selection
- Suitable for a single hand basin
- IPX4 splashproof rated
- Can be used with manual mixer taps



5.4kW SH0933 £233.00



**Multi Point**

- Heats the water when it starts to flow through for an economical hot water solution as no power is used when in standby operation
- Suitable for 1 outlet or 2 outlets in a property, for example 1 kitchen sink or 2 hand basins
- Power selection is smooth and continuous for optimum settings selection



7.7kW SH0934 £246.00  
10.1kW SH0935 £269.00

# MACERATORS & SHOWER PUMPS

## GRUNDFOS Macerators

### SOLOLIFT2 WC-1

**What it does**

Removes wastewater and toilet waste from a single w.c. and basin where outlet is away from the main soil stack.

**Typical Applications**

Extra bathrooms, cloakrooms, shower rooms in loft or basement conversions, holiday cottages, B&B's, student or disabled accommodation etc.

SH1271 **£988.00**



### SOLOLIFT2 WC-3

**What it does**

Removes wastewater and toilet waste from a single w.c., basin, shower and bidet where outlet is away from the main soil stack.

**Typical Applications**

Extra bathrooms, cloakrooms, shower rooms in loft or basement conversions, holiday cottages, B&B's, student or disabled accommodation etc.

SH1272 **£1348.00**



### SOLOLIFT2 CWC-3

**What it does**

Removes wastewater and toilet waste from a wall hung toilet, basin & shower where outlet is away from the main soil stack.

**Typical Applications**

Extra bathrooms, cloakrooms, shower rooms in loft or basement conversions, holiday cottages, B&B's, student or disabled accommodation etc.

SH1273 **£1324.00**



### SOLOLIFT2 C-3

**What it does**

Removes wastewater from a washing machine, dishwasher and basin where outlet is away from the main soil stack.

**Typical Applications**

Especially designed for high temp liquid wastewater from washing machines or dishwashers. Use when adding a utility room, or for loft or basement conversions, holiday cottages, B&B's, student or disabled accommodation etc.

SH1274 **£1000.00**



### SOLOLIFT2 D-2

**What it does**

Removes wastewater from a shower and basin where outlet is away from the main soil stack.

**Typical Applications**

Extra sink, basin or shower in a loft or basement conversion, holiday cottages, B&B's, student or disabled accommodation etc.

SH1275 **£911.00**



## GRUNDFOS Shower Pumps



### SSR2 & STR2



**What it does**

Positive head shower booster pump to increase water pressure to a gravity fed hot water system. Pumps available up to 2 Bar.

**Typical Applications**

For boosting water to a single shower or simple bathroom suite where the outlets are below the cold water storage tank.

- Twin (STR2) & Single (SSR2) impellers

Twin Impeller 1.5 bar STR2-1.5C

SH1191 **£377.00**

Twin Impeller 2.0 bar STR2-2.0 C

SH1192 **£486.00**

Single Impeller 2.0 bar SSR2-2.0 C

SH1193 **£361.00**

**Accessories**

The installation of a Surrey Flange is recommended.



### SSR2 & STR2 Universal



**What it does**

Positive & Negative head shower booster pump to increase water pressure to a gravity fed hot water system. Pumps available up to 2 Bar.

**Typical Applications**

For boosting water to a single shower or simple bathroom suite where the outlets are above or below the cold water storage tank

- Twin (STR2) & Single (SSR2) impellers

Twin Impeller 1.5 bar STR2-1.5 CN

SH1195 **£935.00**

Twin Impeller 2.0 bar STR2-2.0 CN

SH1196 **£1012.00**

Single Impeller 2.0 bar SSR2-2.0 CN

SH1197 **£630.00**

**Accessories**

The installation of a Surrey Flange is recommended.

# COMMERCIAL & KITCHEN PRODUCTS



## COMMERCIAL & KITCHEN PRODUCTS

CUBICLE SYSTEMS

TOILET SEATS

BRASSWARE

SANITARYWARE

DOC 'M'

URINALS

CISTERNS

SQUAT PANS

FIRECLAY SINKS

FANS

SHOWER RAILS

KITCHEN SINKS & TAPS





**Bemis Ultra-fix® a toilet seat fixing system that stays tight**

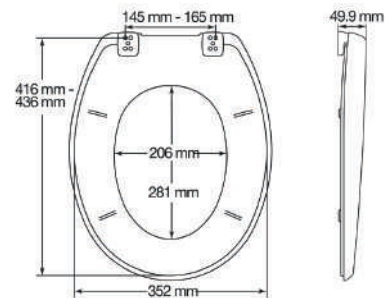
Installing a toilet seat seems simple, but no matter how carefully installed somehow they always come loose. That's why we developed Ultra-Fix®, a patented hinge fixing system that will actually keep your toilet seat tight. Toilet seats repeatedly work loose for two reasons: Firstly, the mounting hole of the toilet pan is much larger than the bolt that goes through it, creating natural movement on the pan no matter how tight the seat is installed; Secondly, the toilet seat is not fully tightened enabling it to more easily loosen. The Bemis Ultra-Fix® hinge fixing system solves both of these problems. It is available on various toilet seat designs and for toilet ceramics that either require fixation from the bottom or top of the ceramic.

**Ultra-Fix® Seats**

**Atlantic Spa Ultra-Fix®**

- Material: Tecnoplast™ Thermoplastic
- Adjustable chrome-plated hinges
- Weight: 1.66 kg
- Universal Fit

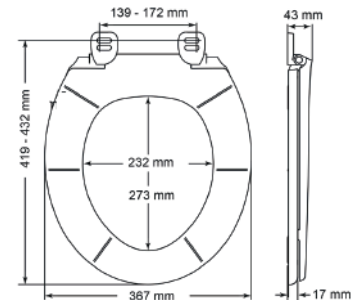
White PL0687 **£54.00**



**Kent Ultra-Fix®**

- Material: Tecnoplast™ Thermoplastic
- Adjustable plastic hinges
- Weight: 0.96 kg
- Universal Fit

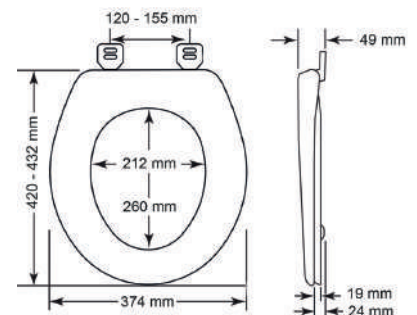
White PL0684 **£31.00**



**York Ultra-Fix®**

- Ultra-Fix® - patented fixing system that will not loosen
- Silentium® - soft close action
- Tecnoplast Construction
- Universal Fit
- Weight: 1.5 kg

White PL0771 **£52.00**

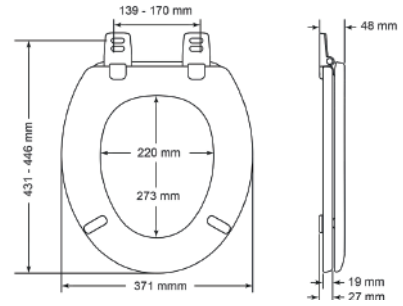


## Ultra-Fix® Seats

### ProSeat Ultra-Fix®

- Material: American Innova® Moulded Wood
- Adjustable plastic hinges
- Weight: 2.69 kg
- Universal Fit

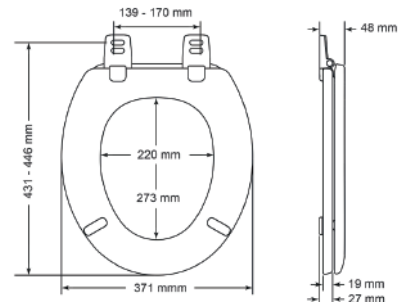
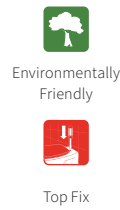
White PL0685 **£46.00**



### ProSeat Ultra-Fix® with Top Fix

- Durable American Innova® moulded wood
- Adjustable plastic hinges
- Fits majority of manufacturers' universal shaped pans
- Weight: 2.7 kg

White PL0782 **£50.00**

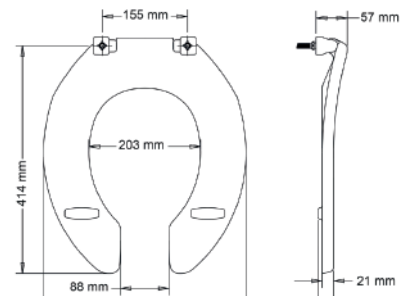


### Crewe Ultra-Fix®

- Material: Tecnoplast™ Thermoplastic
- Ring only Open Front
- Fixed Hybrid Hinge
- Weight: 1.4 kg
- Universal Fit

White PL0772 **£67.00**

**ANTI-VANDAL**



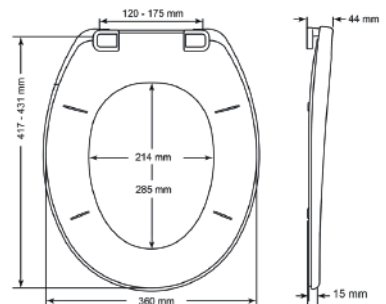
## Alternative Bemis Toilet Seats

### Jersey

- Material: Tecnoplast™ Thermoplastic
- Adjustable plastic hinges
- Weight: 0.87 kg
- Universal Fit

White PL0681 **£23.00**

**ANTI-VANDAL**

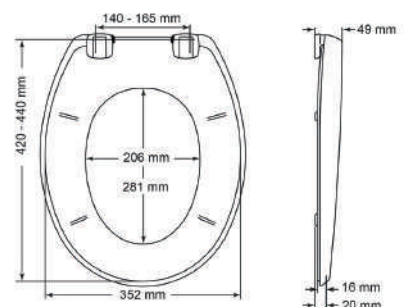


### Atlantic Spa

- Material: Tecnoplast™ Thermoplastic
- Adjustable plastic hinges
- Weight: 1.5 kg
- Universal Fit

White PL0682 **£37.00**

**ANTI-VANDAL**



# TOILET SEATS

TOILET SEATS

## Kent Top Fix Black

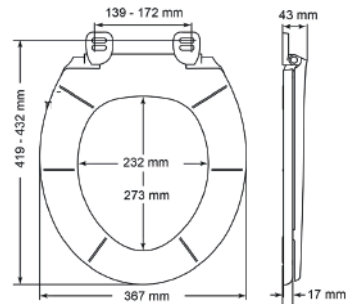
- Material: Tecnoplast™ Thermoplastic
- Adjustable plastic hinges
- Weight: 0.96 kg
- Universal Fit

Black PL0786 **£28.00**

**ANTI-VANDAL**



-  Virtually Unbreakable
-  Recyclable



## Jersey Black

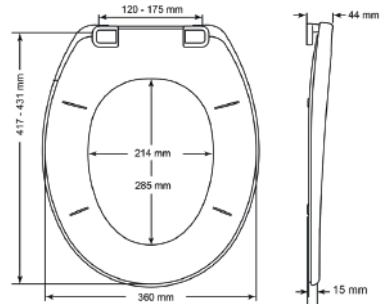
- Material: Tecnoplast™ Thermoplastic
- Adjustable plastic hinges
- Weight: 0.87 kg
- Universal Fit

Black PL0661 **£23.00**

**ANTI-VANDAL**



-  Virtually Unbreakable
-  Recyclable



## Atlantic Spa Marine Blue

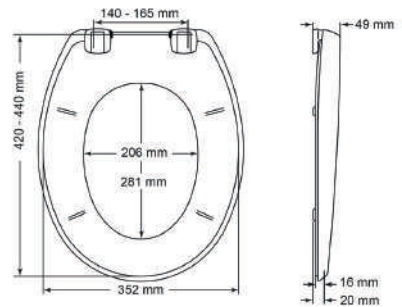
- Material: Tecnoplast™ Thermoplastic
- Adjustable plastic hinges
- Weight: 1.5 kg
- Universal Fit

Blue PL0774 **£41.00**

**ANTI-VANDAL**



-  Virtually Unbreakable
-  Recyclable









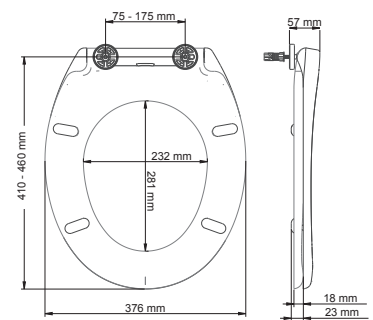
## Arona

- Slow-Close – closes slowly and quietly.
- Take-Off – push-button take off system for hygienic cleaning.
- Top Fix – installs easily from the top of the pan.
- Long-lasting Duroplast plastic is scratch and heat resistant and offers a ceramic-like shine.
- Adjustable plastic hinge.
- Weight: 2.16 kg

White PL0789 **£66.00**



-  Smart Lift™ Take Off
-  Virtually Unbreakable
-  Soft Close
-  Recyclable
-  Environmentally Friendly
-  Top Fix Friendly









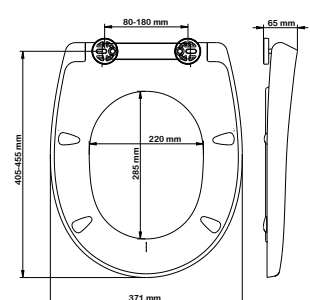
## Click 'n' Clean Classic

- Slow-Close – closes slowly and quietly.
- Bemis Click & Clean® easy take off for convenient cleaning.
- Adjustable stainless steel top fix hinge.
- Long-lasting Duroplast toilet seat is scratch and heat resistant and offers a ceramic-like shine.
- Fits majority of manufacturers' universal shaped pans.
- Antibacterial treatment inhibits the growth of bacteria.
- Weight: 2.45 kg

White PL0788 **£109.00**



-  Smart Lift™ Take Off
-  Virtually Unbreakable
-  Soft Close
-  Recyclable
-  Environmentally Friendly
-  Top Fix Friendly



**Click 'n' Clean Classic D-Shape**

- Slow-Close – closes slowly and quietly.
- Bemis Click & Clean® easy take off for convenient cleaning.
- Adjustable stainless steel top fix hinge.
- Long-lasting Duroplast toilet seat is scratch and heat resistant and offers a ceramic-like shine.
- Fits majority of manufacturers' D-shaped pans.
- Antibacterial treatment inhibits the growth of bacteria.
- Weight: 2.45 kg

White PL0791 **£113.00**



- Smart Lift™ Take Off
- Virtually Unbreakable
- Soft Close
- Recyclable
- Environmentally Friendly
- Top Fix Friendly

**Super Weight Seats**

**Exact Match S2/3**

- Slow-Close – closes slowly and quietly.
- Bemis Push 2 Clean® take off with release button at the back for convenient cleaning and preventing dirt traps.
- Adjustable stainless steel hinges, top and bottom fixation included.
- Long-lasting Duroplast toilet seat is scratch and heat resistant.
- Fit for Duravit Starck 2 and Starck 3 toilet ceramics.
- Weight 3.2kg

White PL0794 **£84.00**



- Smart Lift™ Take Off
- Virtually Unbreakable
- Soft Close
- Recyclable
- Environmentally Friendly
- Top Fix Friendly

**Exact Match Dura D**

- Slow-Close – closes slowly and quietly.
- Bemis Push 2 Clean® take off with release button at the back for convenient cleaning and preventing dirt traps.
- Adjustable stainless steel hinges, top and bottom fixation included.
- Long-lasting Duroplast toilet seat is scratch and heat resistant.
- Fit for Duravit D-Code toilet ceramics.
- Weight 3.2kg

White PL0795 **£80.00**



- Smart Lift™ Take Off
- Virtually Unbreakable
- Soft Close
- Recyclable
- Environmentally Friendly
- Top Fix Friendly

**Pure Care® Seats with Ultra-Fix®**

**Pure Care 500/750**

- 50mm & 75mm raised toilet seat.
- Maximum weight 300 kg.
- Slow close prevents slamming and pinched fingers
- Bemis Ultra-Fix® - patented fixing system that will not loosen!
- Long-lasting Duroplast plastic is scratch and heat resistant and offers a ceramic-like shine.
- Adjustable plastic hinges.

White 500 PL0792 **£155.00**

White 750 PL0793 **£222.00**



- Smart Lift™ Take Off
- Virtually Unbreakable
- Soft Close
- Recyclable
- Environmentally Friendly
- Top Fix Friendly

# TOILET SEATS

## Bidet Seat with Ultra-Fix®

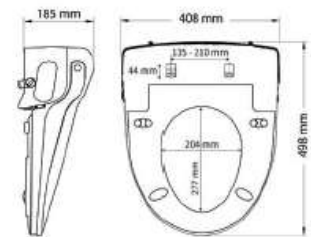
### Bemis Pure Clean® BB1000 Bidet Seat

The ultimate in hygiene, the Bemis BB1000 bidet seat boast features such as front and rear wash, adjustable water and seat temperature, energy saving mode and luxury bidet controls, the Bemis BB1000 heralds a new era of advanced personal hygiene in the comfort of your own home.

The seat is securely fastened with patented Bemis Ultra-Fix® fixation compatible with most toilets, the low-profile design enhances the beauty and function of your bathroom.

Choose from a variety of wash options, including water temperature, water pressure, spray pattern, and nozzle position. Say goodbye to toilet paper, and say hello to a cleaner, healthier lifestyle.

- Comfortable 53cm width between the arms fits in virtually all bathrooms while providing extra width for the user
- Heavy duty, solid plastic seat tested to 450kg weight capacity. Special ring bumpers for added security
- Fits most manufacturer pans
- Made with eco-friendly materials and processes
- Easy to correctly and securely install – with Bemis Ultra-Fix® nuts
- Arm width allows the seat ring to be raised in the upright position for easy cleaning and standing use of the toilet



PL0796 **£1020.00**

Must be fitted by a professional plumber in accordance with UK Water Regulations.

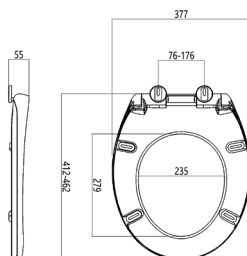
## Toilet Seats



### Glacier Universal White Toilet Seat

Soft Close, Top Fix & Quick Release

- Crafted from sustainable material
- Soft-close mechanism for a peaceful experience
- Easily adjust the seat to match your toilet
- Quick-release hinges for hassle-free cleaning
- Resistant to fluids and chemicals
- Quick Release (Dual Chrome Button)
- Durable Urea Material
- Built In UV Protection
- Designed To Suit most Standard Pans
- 10 Year Guarantee
- Weight 2.4kg



White SW2904 **£58.00**





**Celeste Plus - Doc M Seat**  
Heavyweight thermoset contoured seat c/w locking buffers

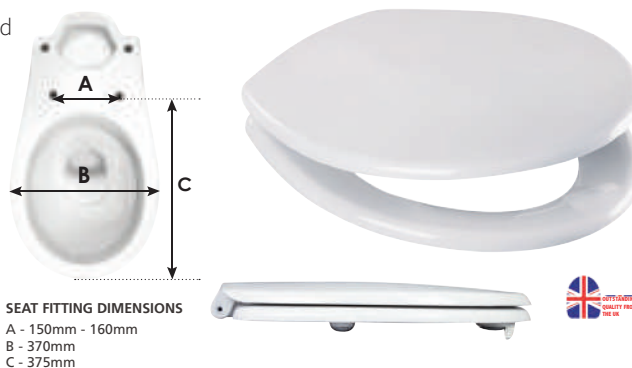
The CELESTE PLUS is an ergonomically designed toilet seat for maximum comfort in prolonged periods of use. Manufactured from naturally antibacterial thermoset material, the CELESTE PLUS is ideal for contract applications (hospitals and care homes) in high traffic areas.

Naturally antibacterial thermoset material, resistant to scratches, chemicals and UV. Extremely strong, durable and hardwearing.

- 2 year guarantee
- Stainless steel hinges
- Suitable for replacement Doc M packs
- Manufactured using Polygiene Anti-Viral Material

Nominal weight: 1.9kg

White PL0530 **£109.00**

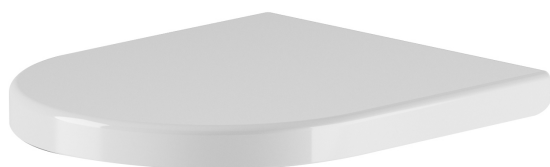


**SEAT FITTING DIMENSIONS**  
A - 150mm - 160mm  
B - 370mm  
C - 375mm



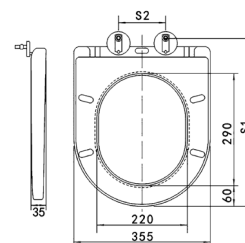
**D Shape Universal Premium Wrapover Toilet Seat & Cover**

Urea Heavy Duty Soft Close, Top Fix & Quick Release  
Suitable for most D Shape WC Pans



White SW6173 **£89.00**

Adjustable distance		
Hinge	S1	S2
QQ(big)	410-490	80-240
QQ(small)	420-470	120-210



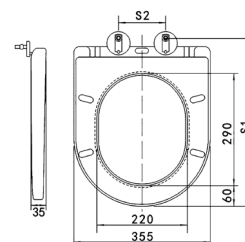
**D Shape Universal Premium Slim Toilet Seat & Cover**

Urea Heavy Duty Soft Close, Top Fix & Quick Release  
Suitable for most D Shape WC Pans



White SW6105 **£63.00**

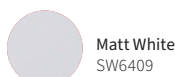
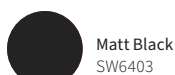
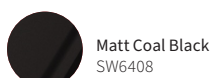
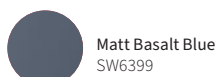
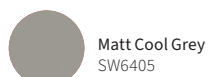
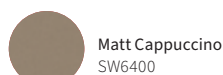
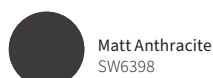
Adjustable distance		
Hinge	S1	S2
QQ(big)	410-490	80-240
QQ(small)	420-470	120-210



**Duck Duroplast D-Shape Universal Premium Slim Toilet Seat & Cover**

Urea Heavy Duty Soft Close, Top Fix & Quick Release  
Suitable for most D Shape WC Pans

Colour Options **£257.00**

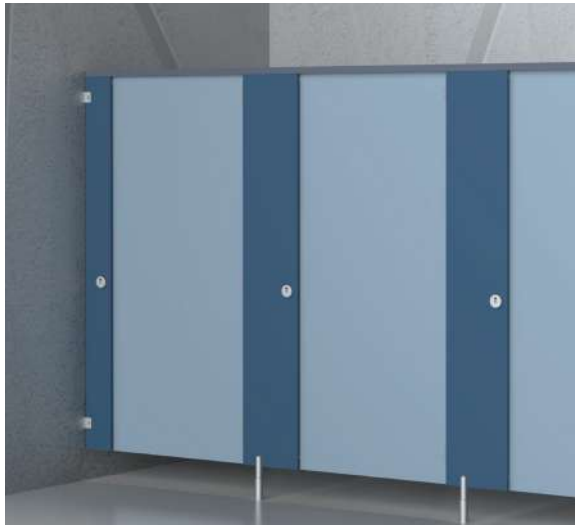


Gloss White  
SW6550  
**£108.00**





## Washroom Cubicle Systems



### Cubicle Solutions in a box

Designed with simplicity and functionality in mind, our cubicle systems are the ideal solution for low to mid-traffic washroom requirements.

- Cubicles in a Box
- A cost effective, off the shelf solution
- Functional & durable
- Manufactured in the UK
- Neutral Arctic Grey finish

#### Pack options & contents

##### Pack A

WC1001 **£897.00**

- 1 x 1800 x 650mm door
- 2 x 1800 x 150mm fascias
- 1 x Ironmongery pack (including 6 x wall fixing brackets, 2 x hinges, 1 x lock & keep, 1 x coat hook plus screws and fixings)
- 1 x 1m length of U channel/header rail

##### Pack B

WC1002 **£887.00**

- 2 x 1800 x 900mm divider panels (to join together using U channel/header rail)
- 1 x 1.8m length of U channel/header rail
- 3 x Wall fixing brackets
- 1 x Support leg

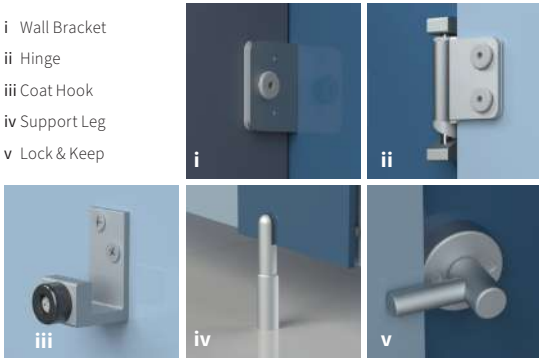
##### Pack C used to create larger Doc 'M cubicle

WC1003 **£1200.00**

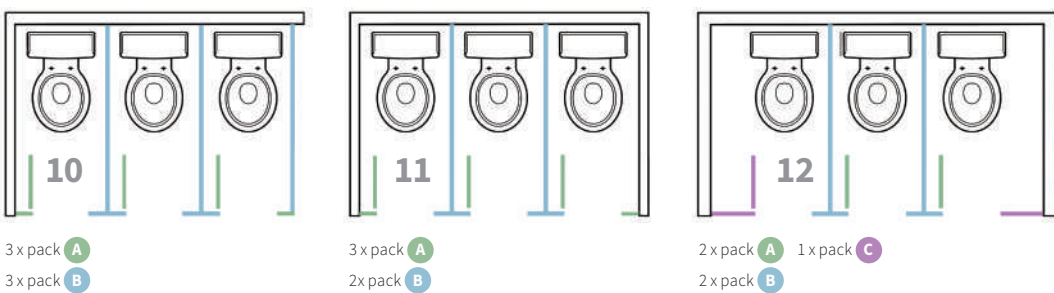
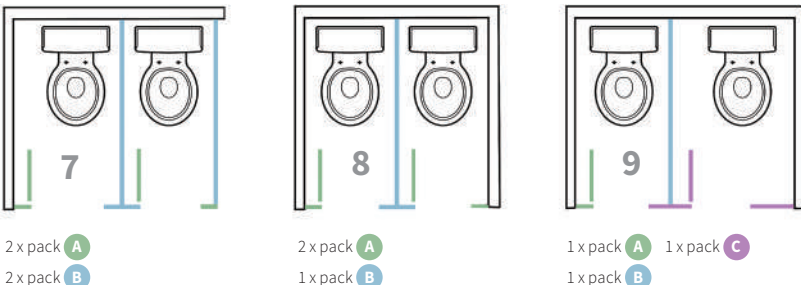
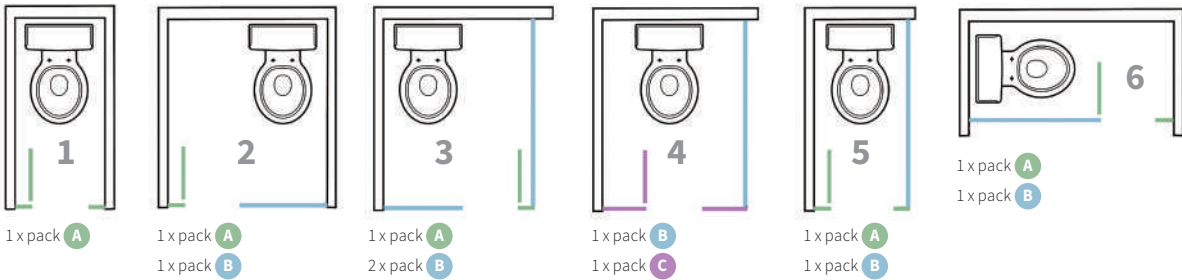
- 1 x 1800 x 950mm DDA door
- 2 x 1800 x 400mm fascias
- 1 x Ironmongery pack (including 6 x wall fixing brackets, 2 x hinges, 1 x lock & keep, 1 x coat hook plus screws and fixings)
- 1 x 1.8m length of U channel/header rail

#### Ironmongery Components

- i Wall Bracket
- ii Hinge
- iii Coat Hook
- iv Support Leg
- v Lock & Keep



**Layout Configurations** Choose your required cubicle configuration from the options below in order to identify which packs you require.





## Capital Bespoke Cubicle Systems

A bespoke, made-to-order toilet cubicle system offering to suit any configuration and requirement. With a choice of 19 finishes, our factory will carefully craft stylish, user friendly cubicles, ready for installation based on your dimensions and specification.

- Cubicles made to order
- Manufactured to the specified dimensions & layout
- Delivered direct to site
- Functional & durable
- Manufactured in the UK
- 19 finish/colour options
- Manufactured from 18mm MFC

### The process

- 1 Submit a dimensional line drawing for the required configuration and layout
- 2 We will then raise a quotation based on the above
- 3 A more detailed drawing will then be produced for sign-off by the project manager
- 4 Once approved, the specific finish option will need to be confirmed, then manufacturing can commence

**Please allow 14 days for delivery from date of order.**



Any cubicle or washroom requirement can be quoted and manufactured to suit specification in any of the below colour options.

### £POA

### Colour options

							
K535 Gold Baroque Oak	K084 Dark Artwood	7648 Vintage Wenge	K016 Carbon Marine Wood	5527 Stone Oak	0729 Walnut	K522 Aluminium Flash	5981 Cashmere
							
8681 Brilliant White	8685 Snow White	0191 Cool Grey	0540 Manhattan Grey	0197 Chinchilla Grey	0171 Slate Grey	0164 Anthracite	0190 Black
							
0541 Ivory	K515 Spice Red	8984 Navy Blue	0125 Royal Blue	5994 Alby Blue	K517 Azure Blue	K518 Surf Blue	7190 Mamba Green
							
9561 Oxide Green	K521 Smoke Green	K520 Dark Emerald	0134 Sunshine	0132 Orange	7113 Chilli Red	0112 Stone Grey	





Atlas Pans & Cisterns



Closed Coupled Smooth

Pan  
SW0121 **£170.58**  
Top Flush Cistern  
SW0214 **£185.46**  
Complete **£356.04**

Bottom Inlet



Closed Coupled Lever

Pan  
SW0119 **£176.19**  
Lever Cistern c/w fittings  
SW0219/SW022A **£188.38**  
Complete **£364.57**

Bottom Inlet



Low Level Lever

Pan  
SW0100 **£98.82**  
Lever Cistern c/w fittings  
SW0201/SW0201A **£220.56**  
Complete **£319.38**

Side Inlet



Low Level Top Flush

Pan  
SW0100 **£98.82**  
Top Flush Cistern c/w fittings  
SW0202/SW0202A **£214.59**  
Complete **£313.41**

Bottom Inlet



Low Level 'P' Trap Lever

Pan  
SW0103 **£136.86**  
Lever Cistern c/w fittings  
SW0201/SW0201A **£220.56**  
Complete **£357.42**

Side Inlet



Low Level 'P' Trap Top Flush

Pan  
SW0103 **£136.86**  
Top Flush Cistern c/w fittings  
SW0202/SW0202A **£214.59**  
Complete **£351.45**

Bottom Inlet



Low Level 'S' Trap Lever

Pan  
SW0104 **£136.86**  
Lever Cistern c/w fittings  
SW0201/SW0201A **£220.56**  
Complete **£357.42**

Side Inlet



Low Level 'S' Trap Top Flush

Pan  
SW0104 **£136.86**  
Top Flush Cistern c/w fittings  
SW0202/SW0202A **£214.59**  
Complete **£351.45**

Bottom Inlet



Back to Wall (Pan only)

Pan  
SW0123 **£234.55**



Wall Hung (Pan only)

Pan  
SW0125 **£215.91**  
Support Brackets  
SW0126 **£397.92**

Atlas Rimless Pans & Cisterns

Low Level 'S' Trap Lever



Seat options  
Crescent Adult Seat  
Black PL0521 **£70.00**  
White PL0520 **£76.00**



Rimless 500mm BTW Pan  
(suitable for Close Couple and  
Back to Wall installations)  
SW0112 **£525.93**  
Lever Cistern c/w fittings L/L or C/C  
(for Rimless Pan)  
SW0109 **£348.56**  
Complete **£874.49**

Stainless Steel Urinals & Sanitaryware

We can also quote and supply made-to-measure urinal trough systems and sanitaryware to suit requirements and specification.

£POA



## School Pans & Cisterns

### Pans


L/L 305mm  
SW0105 **£354.56**




Seat options  
Crescent Junior Seat  
Black PL0523 **£70.00**  
White PL0522 **£76.00**



L/L 355mm  
SW0106 **£354.56**



Seat options  
Crescent Adult Seat  
Black PL0521 **£70.00**  
White PL0520 **£76.00**



Rimless BTW 300mm  
(suitable for BTW,  
or L/L installations)  
SW0107 **£344.18**



Seat options  
Crescent Junior Seat  
Black PL0523 **£70.00**  
White PL0522 **£76.00**



Rimless BTW 350mm  
(suitable for BTW,  
or L/L installations)  
SW0108 **£390.08**



Seat options  
Crescent Adult Seat  
Black PL0521 **£70.00**  
White PL0520 **£76.00**



### Doc 'M' Packs

Close Coupled *Lantac Approved*

Blue Rails	SW0022	<b>£1005.50</b>
White Rails	SW0021	<b>£1005.50</b>
Grey Rails	SW0020	<b>£1005.50</b>

Low Level *Lantac Approved*

Blue Rails	SW0024	<b>£948.86</b>
White Rails	SW0023	<b>£948.86</b>
Grey Rails	SW0025	<b>£948.86</b>



### Replacement Doc 'M' Pans



Close Coupled	SW0003	<b>£366.73</b>
Back to Wall	SW0004	<b>£285.83</b>
Low Level	SW0005	<b>£332.13</b>

### Atlas Floor Standing Bidet



Suitable for use in all domestic, hotel, leisure and commercial premises 1TH with a simplistic profile ideal for pairing with any suite.  
SW0700 **£179.58**

### Cisterns & Fittings Packs

Lever Cistern c/w fittings SW0201/SW0201A <b>£220.56</b>	Lever Cistern c/w fittings SW0202/SW0202A <b>£214.59</b>	C/C to L/L Conversion Fittings Pack SW0207 <b>£97.99</b>
---	---	---





Atlas Basins & Pedestals



**Atlas 450**  
x 390mm  
1TH SW0418  
**£104.68**  
2TH SW0518  
**£104.68**



**Atlas 500**  
x 426mm  
1TH SW0419  
**£106.82**  
2TH SW0519  
**£106.82**



**Atlas 550**  
x 475mm  
1TH SW0457  
**£108.96**  
2TH SW0513  
**£108.96**



**Atlas 14 x 10**  
2TH SW0562  
**£110.44**



**Atlas 18 x 11**  
2TH SW0563  
**£125.34**



**Atlas 22 x 16**  
2TH SW0564  
**£97.53**



**Rosa**  
**Cloakroom**  
455  
x 270mm  
2TH SW0561  
**£138.32**



**Atlas Sally**  
**Corner 470**  
x 417mm  
1TH SW0440  
**£172.90**  
2TH SW0540  
**£172.90**



**Atlas Semi-Pedestal**  
SW0616  
**£123.95**



**Atlas Full Pedestal**  
SW0600  
**£74.97**



**Atlas Sarah Vanity 535**  
x 400mm  
1TH SW0450  
**£256.15**  
2TH SW0550  
**£256.15**



**Atlas Under Counter 560**  
x 420mm  
SW0553  
**£227.34**



**Atlas Semi-Recessed 400**  
x 320mm  
1TH SW0438  
**£157.68**



**Atlas Semi-Recessed 500**  
x 420mm  
1TH SW0439  
**£189.22**  
2TH SW0565  
**£189.22**

Basin Hangers & Brackets

**Towel Rail Basin Brackets (pair)**  
BK1001 **£50.00**

**Basin Centre Support Bracket**  
BK0105 **£40.00**

**Heavy Duty Basin Hanger Brackets (pair)**  
BK0102 **£7.72**

Thermostatic Mixing Valve TMV2/3

**15mm Thermostatic Mixing Valve**  
TMV2 - TMV3 - WRAS Approved  
SH0101 **£72.00**

**22mm Intamix Thermostatic Mixing Valve**  
SH1335 **£108.00**



## Urinals

### Urinal Bowls



**400mm Exposed**  
SW0803  
£270.19



**500mm Exposed**  
SW0801  
£270.19



**600mm Concealed**  
SW0802  
£434.26



Urinal Bowl Hanger Brackets (pair) BK0102 £7.45

### Ceramic Urinal Cisterns



**Altas Auto 1 Gallon/4.5l**  
SW0203  
£240.78



**Altas Auto 2 Gallon/9l**  
SW0204  
£333.44



**Altas Auto 3 Gallon/13l**  
SW0205  
£406.19

### Plastic Urinal Cisterns W498 x H295 x D186mm



**1 Gallon/4.5l**  
PL1175  
£115.00



**2 Gallon/9l**  
PL1176  
£118.00



**3 Gallon/13l**  
PL0903  
£182.00

### Urinal Spreaders



**Top Inlet**  
UP0302  
£54.00

**Back Inlet**  
UP0307  
£54.00

### Exposed Pipework Sets

*Stainless Steel*  
(Excluding Spreaders)

**Range of 1** UP0109 £50.00  
**Range of 2** UP0119 £122.00  
**Range of 3** UP0129 £182.00  
**Range of 4** UP0139 £234.00

### Urinal Wastes

**1¼" White Plastic** WA0111 £4.00  
**1½" White Plastic** WA0112 £4.50  
**1¼" CP/Brass (Long tail)** WA0215 £26.00  
**1½" CP/Brass (Long tail)** WA0212 £30.00

### Urinal Divider



SW0900  
£162.27

### Urinal Sensor Controls

#### Kinetic® Mains Infra-Red



PL1391 £480.00

- Power options; 4xAA battery, or mains 240V AC direct
- Control box can be installed remotely from solenoid
- Passive IR sensor detects user movement to provide an efficient flushing system
- 6 litre per minute flow regulation
- Tamper proof design
- WRAS approved

#### Electroflo® Touch Free

**Urinal Sensor**  
(no need for cistern)



PL1392 £382.00

- Adjustable flow rate and flush time
- Suitable for pressures of 0.3-8.0 bar
- Sensor is supplied with solenoid valve
- Can be set to automatic 24 hour hygiene flush

### Cisterniser Urinal Flush Valves



**Standard**  
BF0910 £370.00

**Low Pressure**  
BF0911 £429.00

### Waterless Urinal Pack



SW0805 £532.33

- Suitable for all urinal bowl sizes.
- Water-saving technology
- Non-touch hygiene key included
- Visual change indicator incorporated in waterless ring (typical life of each valve 3-6 months depending on usage)



Plastic Cisterns



**Acclaim Low Level**

BI (Including low level flush pipe) **White** PL1170 **£109.00**  
W460 x H343 x D155mm

- 6/4 litre dual flush
- Approved by the European Water Label Scheme
- Chrome dual flush lid mounted push button

**Acclaim High Level**

SI (Excluding flush pipe) **White** PL1171 **£105.00**  
W460 x H343 x D155mm

- WRAS approved Dudley Beta inlet valve
- WRAS approved Dudley Niagara flushing valve
- Internal overflow warning



**Dudley Elite**

SI DO c/w 6/7/9 ltr convertible syphon  
584mm x 330mm x 140mm **White** PL1310 **£201.00**

- 6/7 litre convertible full flush
- Duoflush for water saving when lever is held down, full flush when lever is depressed and released
- Approved by the European Water Label Scheme
- White plastic lever as standard

- WRAS approved Dudley Beta inlet valve
- WRAS approved Dudley syphon
- Suitable for low level and close-coupled installations
- Internal overflow warning



**Tri-Shell Turbo**

SI DO c/w Turbo Syphon  
516mm x 287mm x 188mm

**White L/L** PL1315 **£247.00**  
**White H/L** PL1316 **£215.00**  
**Black H/L** PL1317 **£215.00**

- 6/7 litre convertible full flush
- Duoflush for water saving when lever is held down, full flush when lever is depressed and released
- Approved by the European Water Label Scheme
- WRAS approved Dudley Beta inlet valve
- WRAS approved Dudley Turbo™ 88 syphon
- Suitable for low level, high level and close-coupled installations
- Internal overflow warning



**Tri-Well Turbo (Well Bottom)**

Heavy Duty Cistern  
c/w plastic outlet/nuts & Turbo Syphon  
467mm x 299mm x 241mm

**White H/L** PL1321 **£280.00**

- WRAS approved Dudley Beta inlet valve
- WRAS approved Dudley Turbo™ S1-11 syphon
- Chain pull
- Suitable for high level installations
- Brass outlet connection and fixings available
- Internal overflow warning
- Internal parts comply with the Regulator's Specification.



**Low Level S/I Lever**

W498 x H295 x D186mm



Water Saving 7/5 & 6/4 Litre Flush Options Delivers water saving reduced flush when lever is held down & full flush when lever is pressed and released)

**White L/L** PL1152 **£51.00**

- European Water Label Approved
- Chrome Lever
- Internal Overflow Warning
- WRAS Approved Inlet Valve & Syphon

High Level Flush Pipes

5'6" Plastic Backwall Flushpipe PL2104 **£12.00**

7' 3-Piece Plastic Sidewall Flushpipe PL2106 **£16.00**



**TP570 Back Entry 50 x 60cm Squat Pan**

White - Closed rim  
Total depth 200mm  
SW6771  
**£224.13**



**Squat Pan Trap**

110mm Low back P trap D501  
UG0090  
**£50.00**



Washroom Accessories



SH1355 £534.00

**Capital Stainless Steel Electric Hand Dryer**

- H325 x W295 x D171mm & Weight 5.5kg
- Airflow Rate 200mph & Noise Level 72db
- Drying Time 7 - 10 seconds
- Hot Air Temperature 40-65°C
- Sensor Distance 15 - 20cm
- CE & IPX1 Approved/Rated
- 2 years warranty (excluding serviceable parts)
- Chip control technology and infrared sensor



**Capital Stainless Steel Toilet Roll Dispenser**

- Measures 125 x 320mm
- Non-corrosive stainless steel construction
- Accommodates up to 320mm jumbo roll with core size of 45mm and max width of 110mm
- Key-lockable
- Visual indicator to show paper level

£POA



**Capital Stainless Steel Soap Dispenser**

- Non-corrosive stainless steel construction
- Locking mechanism
- Visual indicator to show soap level

£POA



**Capital Stainless Steel Toilet Tissue Dispenser**

- Non-corrosive stainless steel construction
- Key lockable
- Visual indicator to show the paper level
- Dispenses multi-flat/bulk-pack toilet tissue

£POA



**Capital Stainless Steel Paper Towel Dispenser**

- Non-corrosive stainless steel construction
- Key-lockable
- Visual indicator to show paper level
- Dispenses C-fold and multi-fold hand towel paper

£POA



**Capital Vandal Proof Mirror with White Solid Surface Frame**

- White polymer Mirror
- High-quality polycarbonate
- Constructed to avoid ligature points where possible
- Can be fixed with either 2-part adhesive or mechanical fixings
- Available in a matt or polished gloss finish

£POA



**Capital Horizontal Fold Down Baby Changing Unit**

- Unique hinge construction eliminates finger traps
- Withstands static loads of 80Kgs
- Hygienic, easy-clean surface
- Certified free from pesticides and antimicrobial additives. Does not contain Microban or Triclosan.
- Designed and manufactured in the UK
- Dimensions: W760 x H585 x 145 (closed depth) x 540mm (open depth)
- Material: MDPE with enclosed stainless steel reinforced hinge and gas strut closing mechanism

£POA



**Capital White Wall Mounted Horizontal Baby Changing Table**

- Horizontal Changing Table
- High-density polyethylene
- Liner dispenser and straps included
- Pneumatic gas shock mechanism
- Holds up to 22.7kg (50lb)
- DOC M compliant

£POA



**Capital Double Sided Low Bench Seat with Back Rest and Black Polymer Slats**

Enhance your changing room environment with our premium Double Sided Low Bench Seat with Back Rest and Black Polymer Slats. Designed with meticulous attention to detail, this bench seat combines durability and functionality to create a comfortable and inviting seating experience.

Available in a range of standard sizes, our bench seat is thoughtfully designed to suit various applications. With lengths available in 1000, 1200, 1500, and 2000mm, and a depth of 700mm, choose the ideal size to accommodate your changing room layout.

£POA





## Sensor Taps 'No Touch Infra-Red'



Sensor taps are a great addition to any home, automatically turning the water on whenever the sensor is activated by movement...

They are commonly referred to as infra-red taps, and are powered by connection to the mains or by a battery.

They are ideal for both domestic and commercial setting or indeed where users have limited mobility.

Choosing the users preferred flow and temperature every time, a traditional tap, when used can waste a great deal of energy... for this reason sensor taps tend to be much more energy efficient.

Sensor taps can achieve energy and water savings of up to 60% over conventional taps.

- High Quality Chrome Plated Brass
- Suitable for Cold or Pre-mixed Water
- Low Power Consumption
- Aerated Water Delivery
- Vandal and Scratch Resistant Sensor Window
- Suitable for Mains or Battery Installation



Lithium battery powered  
easy install

## Rasilia Deck Mounted Lithium Battery Powered

(12 year lifespan based on average use)

- Eco-friendly, no DC battery
- No AC electric mains power required
- Eco Drive long lifespan, 100,000 sensor life cycle
- No separate control box, wires or plug
- Money and time-saving installation, no electrician required

TA4261 **£351.00**

## Ashington Wall Mounted

- Eco-friendly, battery or mains powered
- Optional remote control - allows installers and maintenance engineers to adjust or customise various settings such as sensor distance and in some instances, water flow

TA4262 **£342.00**



### Sensor Tap Remote Control

for use with Ashington and Oroni Sensor Taps



Allows installers and engineers to adjust various settings such as flow and sensitivity

TA4265 **£69.00**



## Oroni Deck Mounted

- Eco-friendly, battery or mains powered
- Optional remote control - allows installers and maintenance engineers to adjust or customise various settings such as sensor distance and in some instances, water flow

TA4263 **£418.00**

## Capital-C

### Thermostatic Non Concussive Mono Basin Mixer



- Push Button Control
- Adjustable Temperature Control
- Adjustable Shut Off Time between 6 & 12 secs
- Chromed Brass Body
- Chromed Metal Head
- Operates between 0.2 bar & 6 bar
- 12 Months Warranty

TA1305 **£179.00**

### Sequential Mono Basin Mixer

Suitable for Doc 'M' Applications



- Brass Body
- Zinc Alloy Handles
- Brass Core Material
- 10 Year Manufacturers Warranty

TA1306 **£141.00**

### Thermostatic Bath Shower Mixer With Handset, Hose & Bracket Kit



- Thermostatic cartridge
- Check valve
- 3/4 Inch BSP
- Brass Body
- Zinc Alloy Handles
- Brass Core Material
- 10 Year Manufacturers Warranty

Bath Shower Mixer  
TA1302 **£216.00**

Hose, Bracket & Handset Kit  
TA1303 **£28.00**

Complete **£244.00**

### Commercial Pillar Taps



#### Chrome Wheel Head

1/2" Basin (pr)	TA0102	<b>£52.00</b>
3/4" bath (pr)	TA0202	<b>£67.00</b>
Bath Deck Filler	TA0802	<b>£120.00</b>
Bath/Shower Mixer	TA0502	<b>£148.00</b>



#### X-Top Range

Basin (pr)	TA0103	<b>£62.00</b>
Bath (pr)	TA0203	<b>£74.00</b>
Bib tap each BS1010	TA1603	<b>£29.00</b>



#### 3" Lever Range

Basin (pr)	TA0104	<b>£64.00</b>
Bath (pr)	TA0204	<b>£67.00</b>
HN Sink (pr)	TA0304	<b>£78.00</b>



#### Non Concussive Basin

Basin (pr)	TA0105	<b>£99.00</b>
------------	--------	---------------

### Concealed Non Concussive Shower System



- Chrome plated brass valve
- 15mm compression fitting
- Non-concussive cartridge
- Temperature adjustable control
- Adjustable flow time
- Chrome plated brass vandal-resistant shower head

SH1356 **£327.00**

### Exposed In-line Non Concussive Shower Valve



- Chrome plated brass valve
- 15mm compression fitting
- Non-concussive operation
- Temperature adjustable control
- Adjustable flow time
- Suitable for cold or pre-mixed water

SH1340 **£102.00**



Fans & Vent Kits



**4" Toilet & Bathroom Fans White**  
Wall / Ceiling - Fan only (Requires installation kit)

	Extraction Rate			
Standard model	98m <sup>3</sup> /h	VK0501	£35.00	
Pullcord switch model	98m <sup>3</sup> /h	VK0502	£38.00	

Electronic timer model	98m <sup>3</sup> /h	VK0503	£41.00
Humidity control model	98m <sup>3</sup> /h	VK0504	£130.00



**AS 4" Slimline Range Chrome**  
(Requires installation kit New AS Plus for ducting up to 6m)

Standard model	98m <sup>3</sup> /h	VK0560	£111.00
Humidistat, timer with neon	98m <sup>3</sup> /h	VK0562	£249.00

**AS 4" Slimline Range White**  
(Requires Installation Kit New AS Plus for ducting up to 6m)

Standard model	98m <sup>3</sup> /h	VK0565	£41.00
Timer with neon	98m <sup>3</sup> /h	VK0566	£57.00



**4" X-MART Range Luxury Fans Silver**  
(Requires installation kit)

Fixed humidistat	98m <sup>3</sup> /h	VK0532	£286.00
Auto retract standard	98m <sup>3</sup> /h	VK0535	£203.00
Auto retract timer	98m <sup>3</sup> /h	VK0536	£237.00
Auto retract humidistat	98m <sup>3</sup> /h	VK0537	£369.00

**4" X-MART Range Luxury Fans White**  
(Requires installation kit)

Fixed humidistat	98m <sup>3</sup> /h	VK0542	£266.00
Auto retract standard	98m <sup>3</sup> /h	VK0545	£146.00
Auto retract timer	98m <sup>3</sup> /h	VK0546	£179.00
Auto retract humidistat	98m <sup>3</sup> /h	VK0547	£325.00



**4" Luxvent Plus Shower Fan Timer c/w Light**  
white/chrome

VK0520	£341.00
--------	---------

**Installation Kits White**

4" Window vent kit c/w external backdraft shutters	VK0551	£27.00
4" Wall vent kit	VK0552	£23.00

**Vent Accessories**

White vent hood - fixed grill	VK0311	£6.00
White vent hood - gravity grill	VK0312	£6.00

**Appliance Vent Kit White**

c/w White gravity hood, wall liner, flange, clips & 8ft vinyl hose	VK0301	£27.00
4" Vinyl flexible duct - 20ft	VK0307	£41.00

Shower Rails & Curtains



**Silver**

Straight Rail	72" (1828mm)	SK0301	£70.00
	84" (2133mm)	SK0401	£80.00
	96" (2438mm)	SK0501	£80.00
L - Rail	36 x 36" (914 x 914mm)	SK0701	£85.00
	30 x 72" (762 x 1828mm)	SK0901	£104.00
U - Rail	36 x 36 x 36" (914 x 914 x 914mm)	SK0801	£142.00
Bendy Rail	2m	SK1820	£126.00
	2.5m	SK1822	£126.00
	3m	SK1824	£147.00



**White**

Straight Rail	72" (1828mm)	SK0302	£73.00
	84" (2133mm)	SK0402	£78.00
	96" (2438mm)	SK0502	£81.00
L - Rail	36 x 36" (914 x 914mm)	SK0702	£84.00
	30 x 72" (762 x 1828mm)	SK0902	£101.00
Bendy Rail	2m	SK1821	£104.00
	2.5m	SK1823	£121.00
	3m	SK1825	£158.00



**Shower Curtains**

White 1800mm x 2m Drop	SK2920	£53.00
------------------------	--------	--------

**Curtain Rings**

Clear	SK3001	£8.00
White	SK3003	£8.00