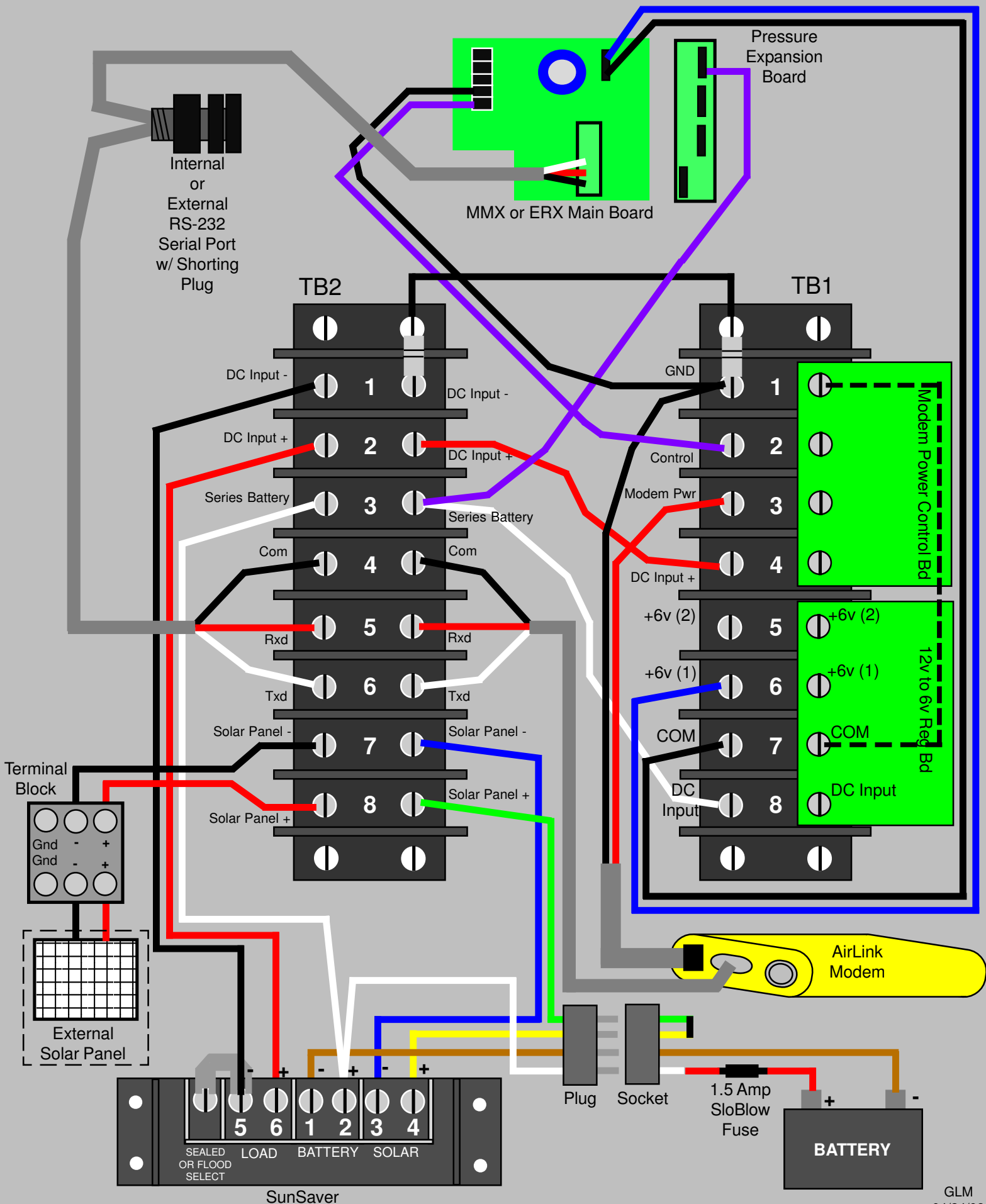
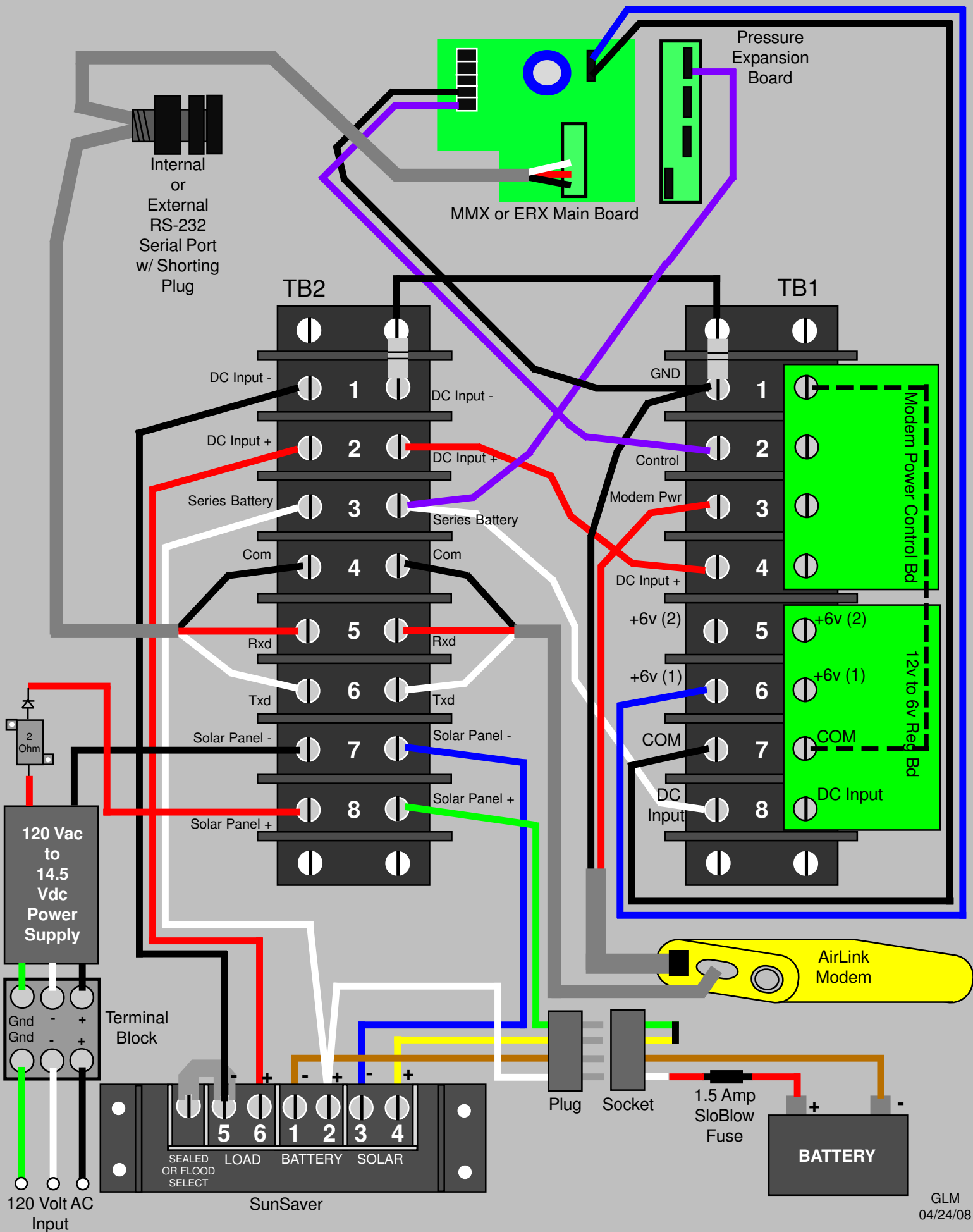


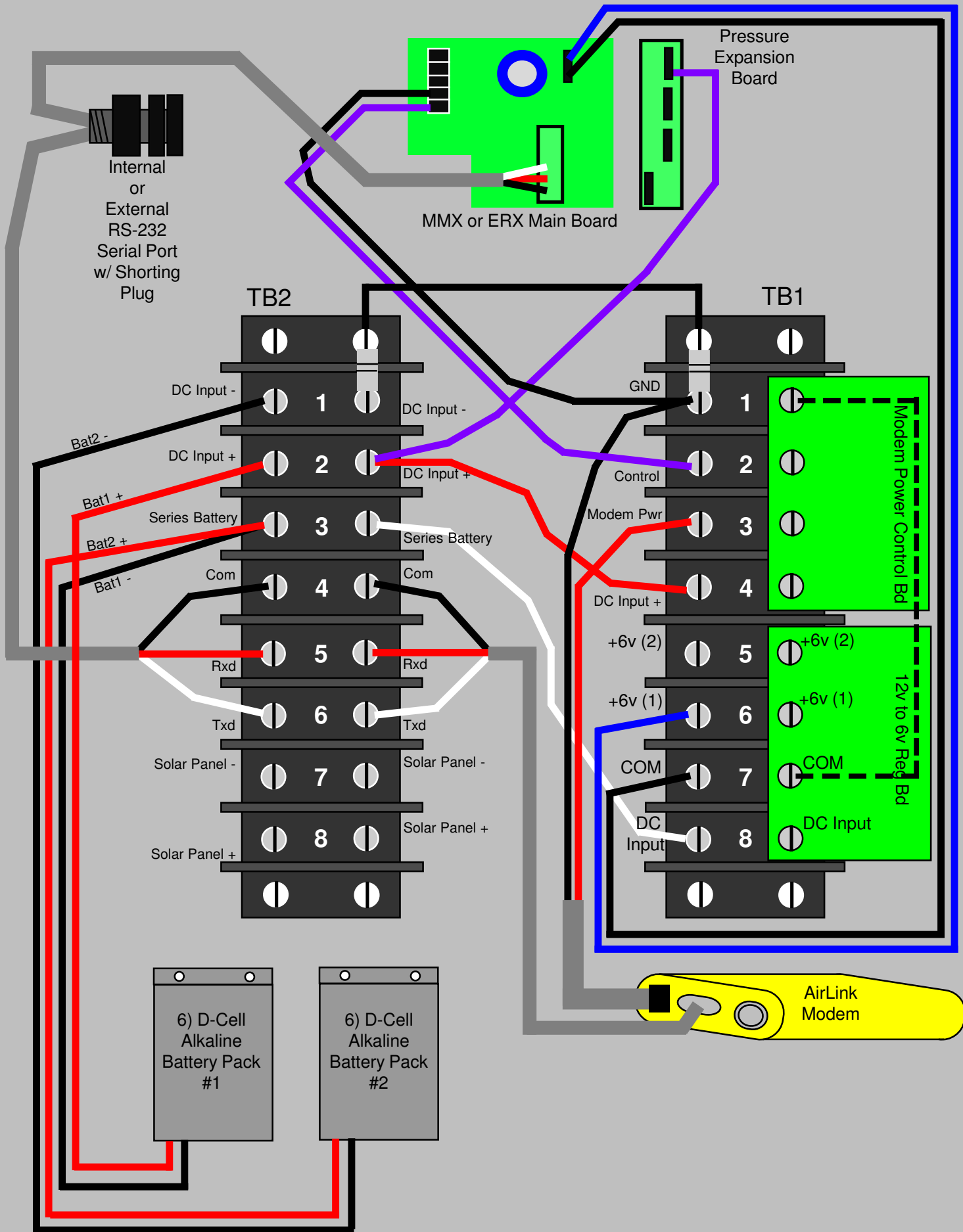
# Wiring Diagram for MI Wireless w/ Solar Panel



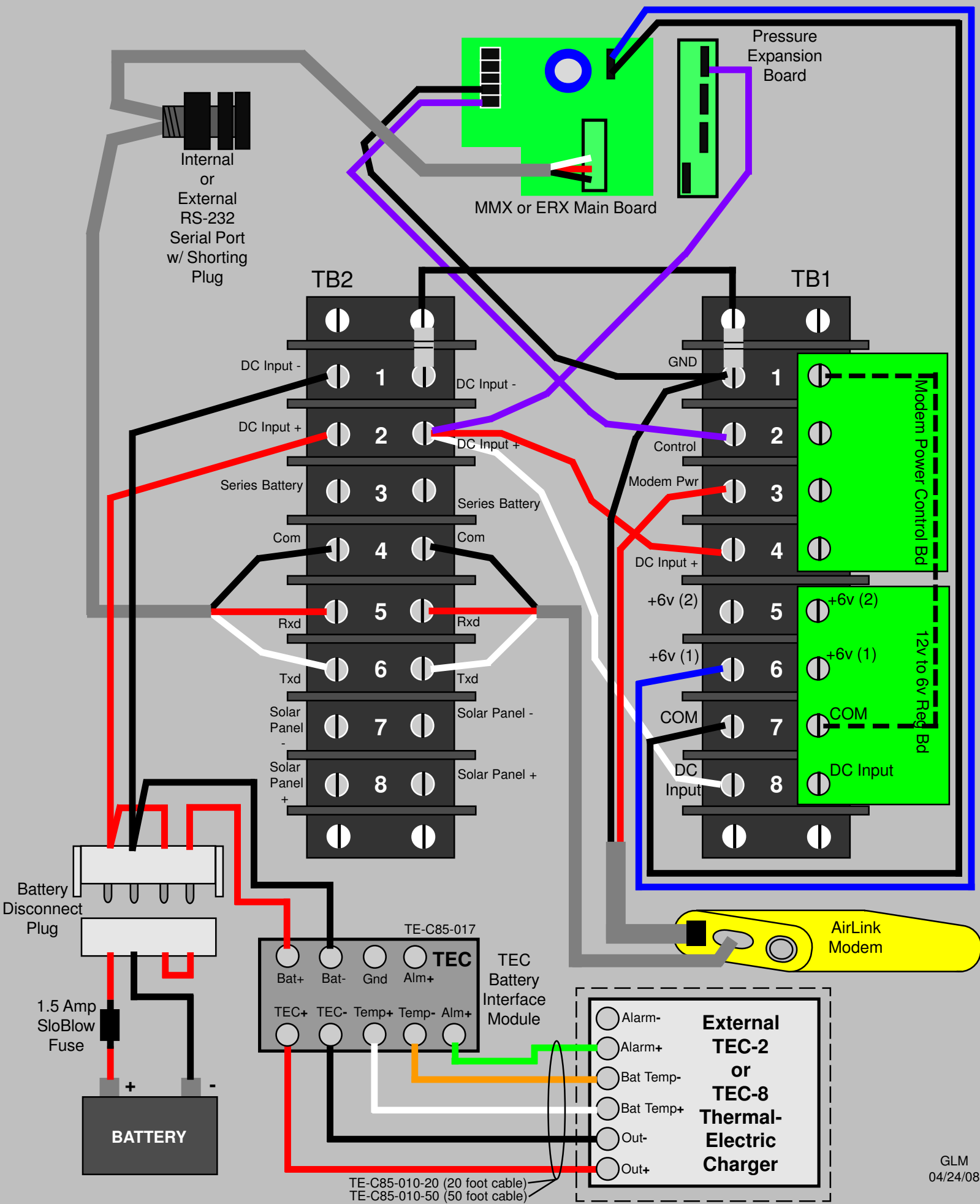
# Wiring Diagram for MI Wireless w/ 120 Vac & Chargeable Battery



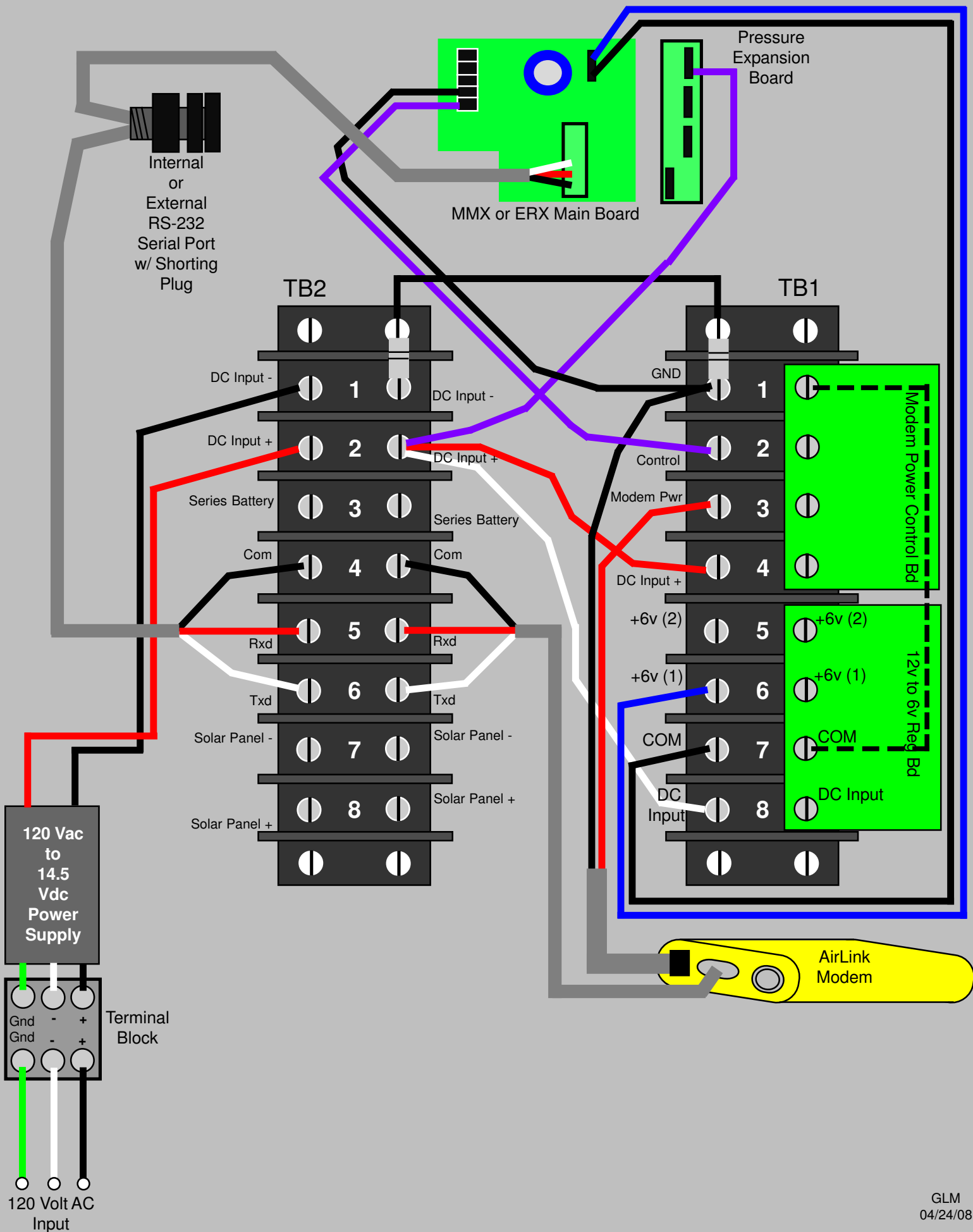
# Wiring Diagram for MI Wireless w/ Dual Alkaline Packs (Series)



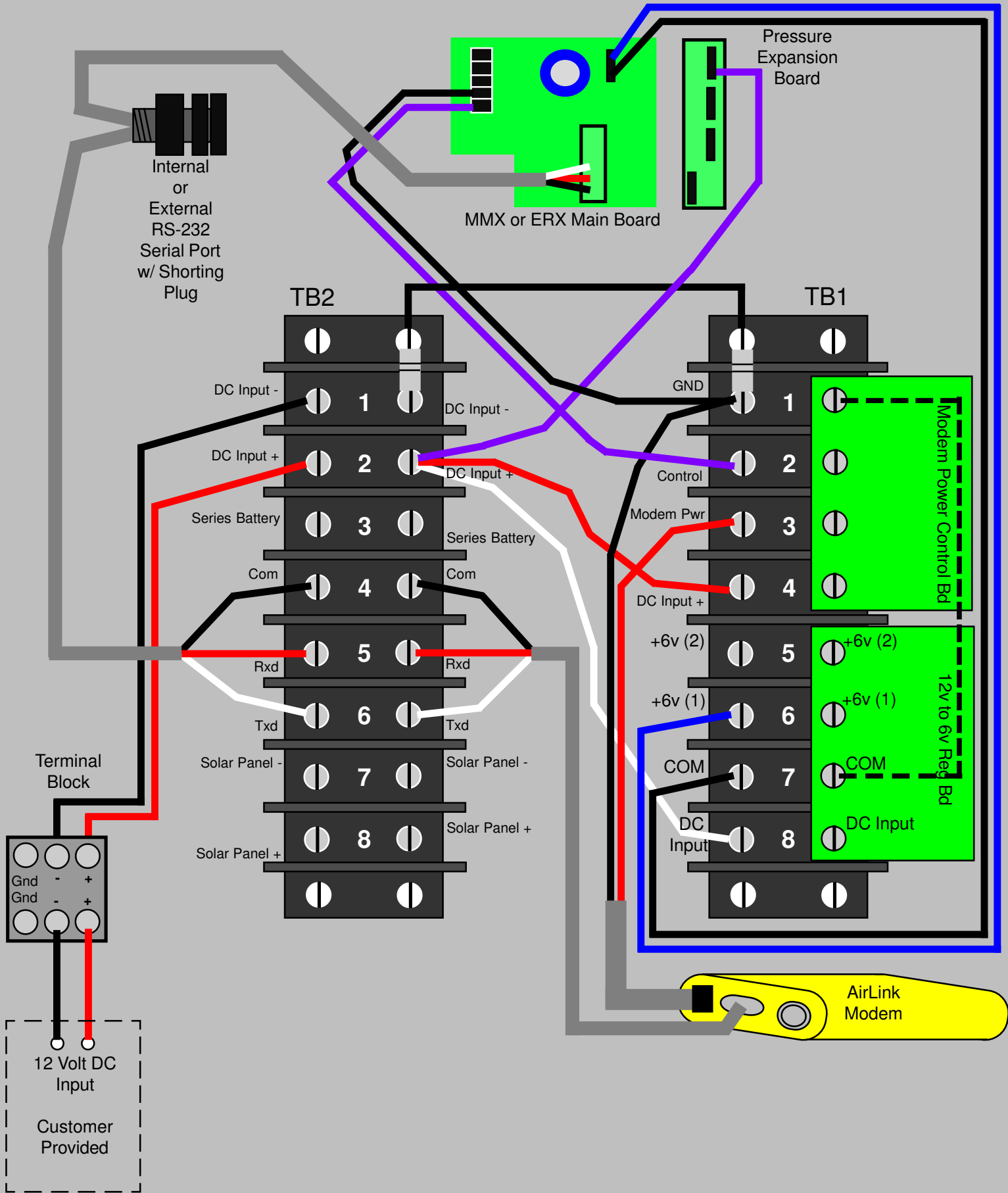
# Wiring Diagram for MI Wireless w/ TEC-2 or TEC-8 Input



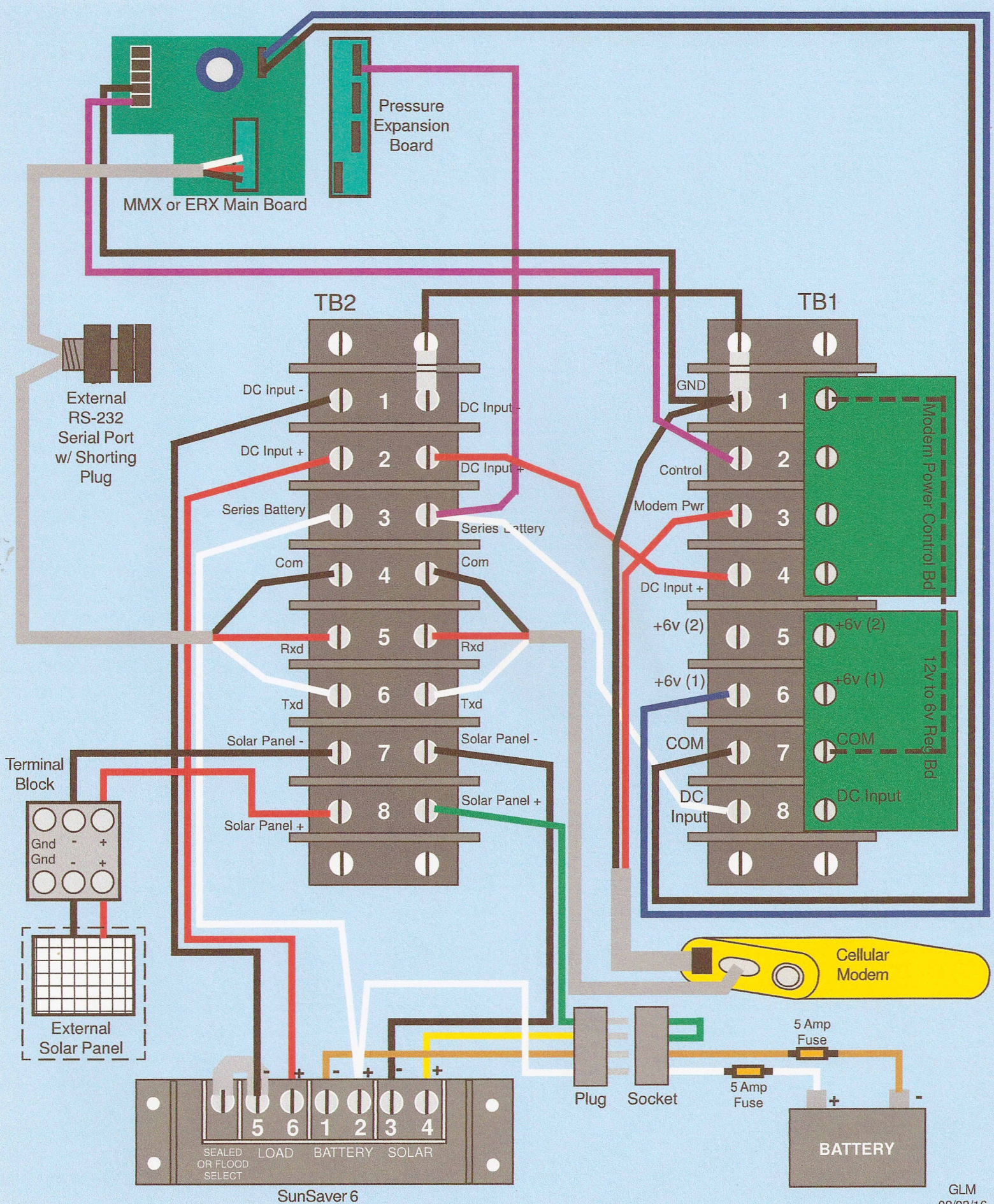
# Wiring Diagram for MI Wireless w/ 120 Vac w/o Chargeable Battery



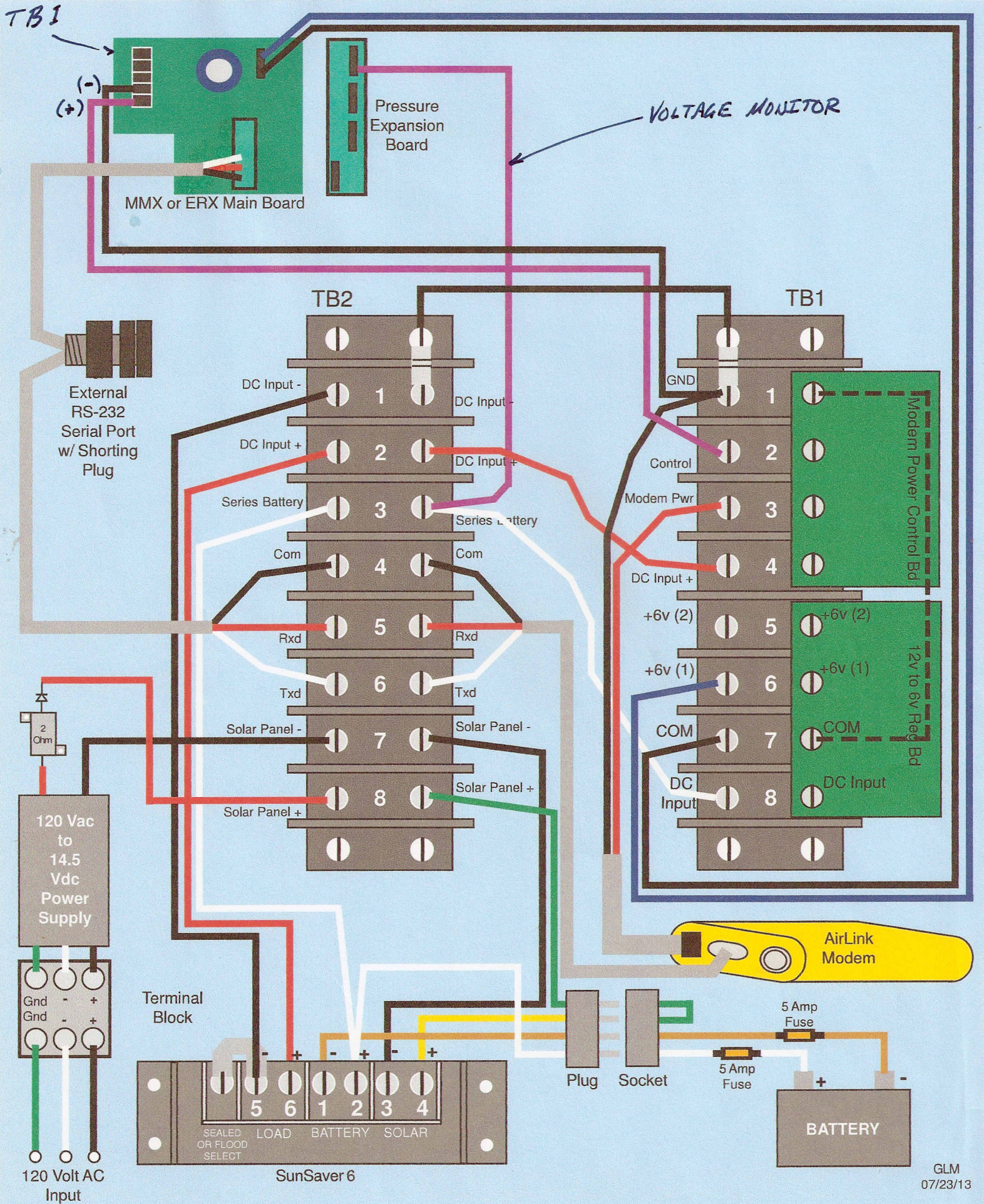
# Wiring Diagram for MI Wireless for Customer-Supplied 12 Vdc



# Wiring Diagram for MI Wireless w/ Solar Panel (MMX or ERX)



# Wiring Diagram for MI Wireless w/ 120 Vac, MMX or ERX





### MI Wireless Voltage Measurements Table

Site Name / Location: bergy station

Observed Symptoms: not connect

**Notes:** A - Read Step-17 before you begin

Date: 7/15/2013

B - Steps 12,13 & 17 require a Yes or No answer

Instrument Serial Number: 11039722

C - Obtain an item file after completing the table and provide w/ the table (Do not skip this step)

D - (L) = Left-side / (R) = Right-side

E - Use a DVM to measure the DC voltages at the following locations inside the MI Wireless unit

glm 7/15/13

Step	Location	Condition	DVM Probes		DVM Reading
			Black	Red	
1	<b>Battery (7 or 18 Amp/Hr)</b>	w/ Battery Connector <b>unplugged</b>	Battery (-)	Battery (+)	13.51
2		w/ Battery Connector <b>plugged-in</b>	Battery (-)	Battery (+)	13.61
3	<b>SunSaver Charge Regulator</b>	Solar input	terminal-3	terminal-4	13.7
4		Battery input	terminal-1	terminal-2	13.68
5		Load output	terminal-5	terminal-6	13.66
6	<b>TB2 Terminal Strip</b>	w/ factory wiring	terminal-7 (L)	terminal-8 (L)	13.57
7		w/ green wire disconnected @ TB2-8 ( R )	terminal-7 (L)	terminal-8 (L)	17.31
8		w/ factory wiring	terminal-1 (L)	terminal-2 (L)	13.48
9		w/ factory wiring	terminal-1 (L)	terminal-3 (L)	13.49
10	<b>TB1 Terminal Strip</b>	w/ factory wiring	terminal-1 (L)	terminal-4 (L)	13.49
11		w/ factory wiring	terminal-1 (L)	terminal-3 (L)	13.48
12		Was red LED on MPC Board flashing when taking DVM reading in step 11?			yes
13	power on network flashing	Were modem LEDs on when taking DVM reading in step 11?			only 2out of 4
14		w/ factory wiring	terminal-7 (L)	terminal-8 (L)	13.49
15		w/ factory wiring	terminal-7 (L)	terminal-6 (L)	6.277
16		w/ factory wiring	terminal-7 (L)	terminal-5 (L)	6.346
17	<b>LCD Display Board</b>	Was the LCD blank during steps 1-16?			no

**LED activity types:**

**SunSaver LED Activity:**

**LED Status:**

