

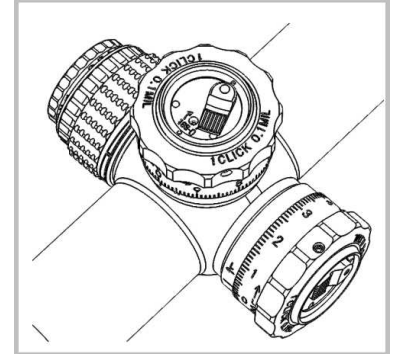
# March<sup>®</sup> Rifle Scope

March-FX 5x-42x56mm  
High Master  
Wide Angle

**Owner's Manual**  
(English Language Edition)

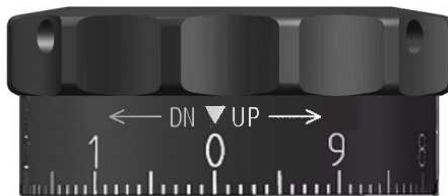


Adoption of a Large Dial  
1 Turn : 10 MIL



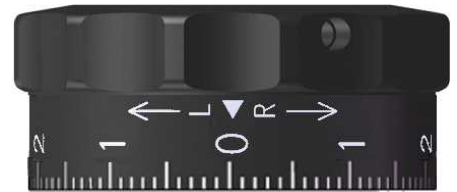
Windage and elevation markings:

Elevation dial



0.1Mil model dial  
1 Click: 0.1Mil  
1 Turn: 10Mil  
Total adj. range: 40Mil

Windage dial



0.1Mil model dial  
1 Click: 0.1Mil  
1 Turn: 10Mil  
Total adj. range: 14Mil

“NOTE:

This rifle scope has an internal adjustment range of 40MIL; 20 up, 20 down. In any rifle scope the best image quality is at or near the center of the adjustments. Because of the very wide adjustment range of this rifle scope, you may experience some image quality degradation as you near the limits of the adjustment range. This can occur because of the extreme refraction of the incoming light at the edges of the objective lens. This degradation will worsen as the magnification increases.

Therefore, we recommend using an appropriate canted rail if you plan to use this rifle scope consistently near the limits of the adjustment range and at higher magnification. It can be utilised to

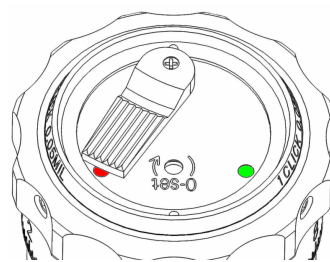
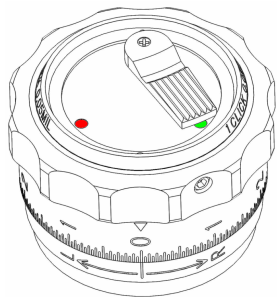
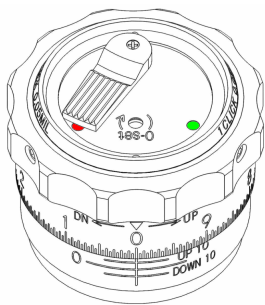
gain additional elevation and to keep the scope optically centred as much as possible.

A 20MOA rail will shift the adjustment range by about 5.7MIL to 25.7MIL up and 14.3MIL down.

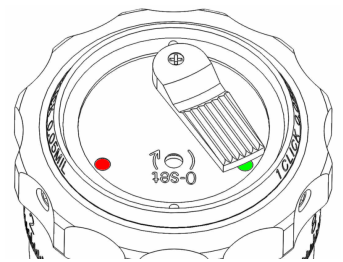
A 30MOA rail will shift the adjustment range by about 8.6MIL to 28.6MIL up and 11.4MIL down.”

## Dial Locking Mechanism

Elevation Dial    Windage Dial



Dial Lock



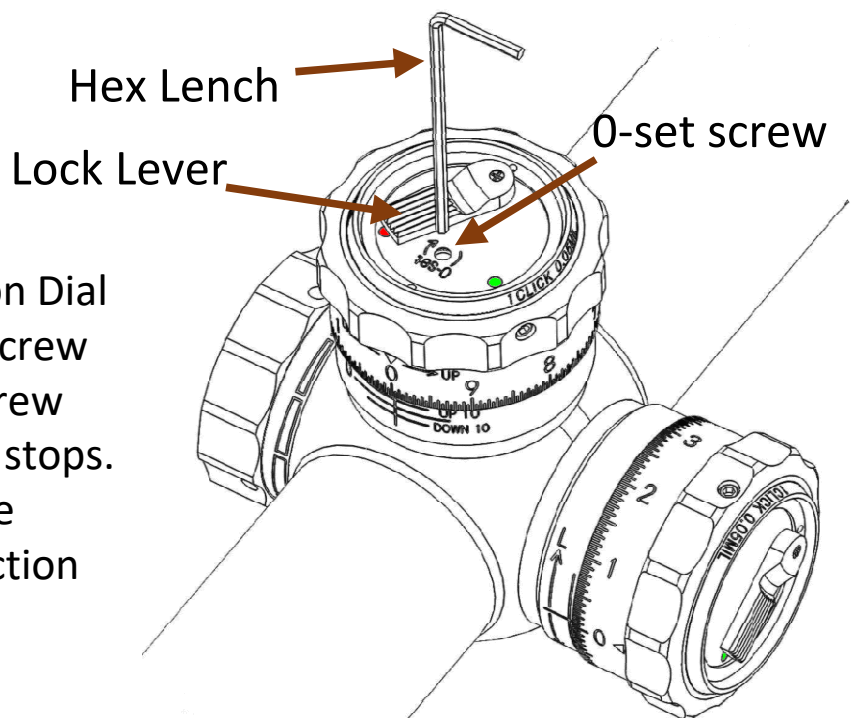
Dial Unlock

When setting the Lock Lever on top of the Dial at the red mark, the Dial will be locked.

When setting the Lock Lever on top of the Dial at the green mark, the Dial will be unlocked.

### 0-Set

After setting the Elevation Dial at the desired position, screw in the hexagon socket screw on top of the Dial until it stops. Elevation Dial can only be used in the Upward direction than that position.



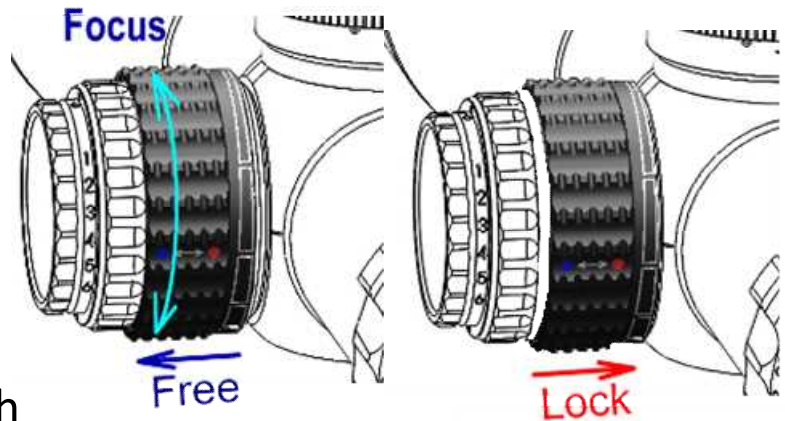
## Focus Dial Locking Mechanism

By adopting the focus dial locking system, it avoids the focus dial to be turned unexpectedly and being out of focus.



When pushing in the focus dial to the red direction, it will lock as in the right figure.

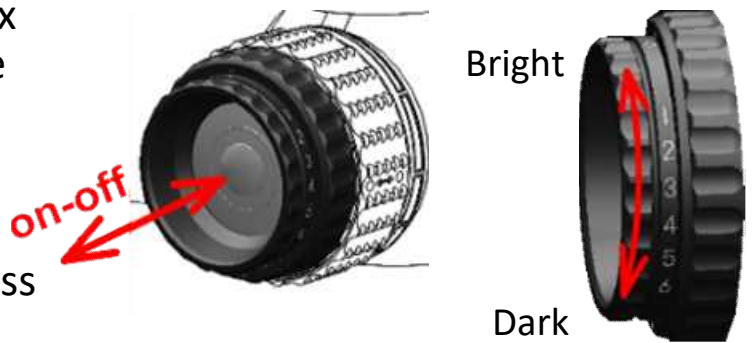
When pulling it out to the blue direction, it will be unlocked.



## Six Level Illumination switch

By rotating the dial, the shooter can change the brightness from six levels. 1 is the darkest and 6 is the brightest.

The rubber switch turns illumination on or off while maintaining the selected brightness level.



The illumination switch will automatically shut down after one hour of no use as with the four level illumination switch.

When turning on the switch after being turned off, it will illuminate in the previously selected brightness level.

Dark-----Bright  
1 · 2 · 3 · 4 · 5 · 6

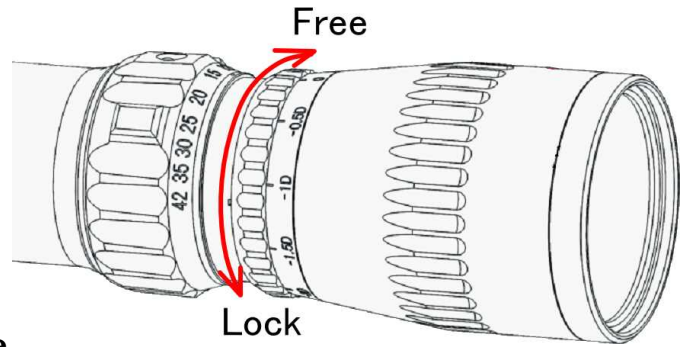


In order to change the battery (please refer to the left figure), turn the switch counter-clockwise to open the battery compartment and then replace the battery with a lithium battery (CR2032). The flat surface of the battery (+) must face the scope body. After replacing the battery, please lock in the switch by turning it clockwise.

## *Fast focus & Wide angle Eyepiece*

This Fast Focus Eyepiece is capable of adjusting  $\pm 2$  diopter in a single turn. Hence this enables prompt adjustment for the Eyepiece.

With this 26 Degree Wide Angle Eyepiece, you will be able to aim the target / game with a wide view.



## *Focus the Reticle*

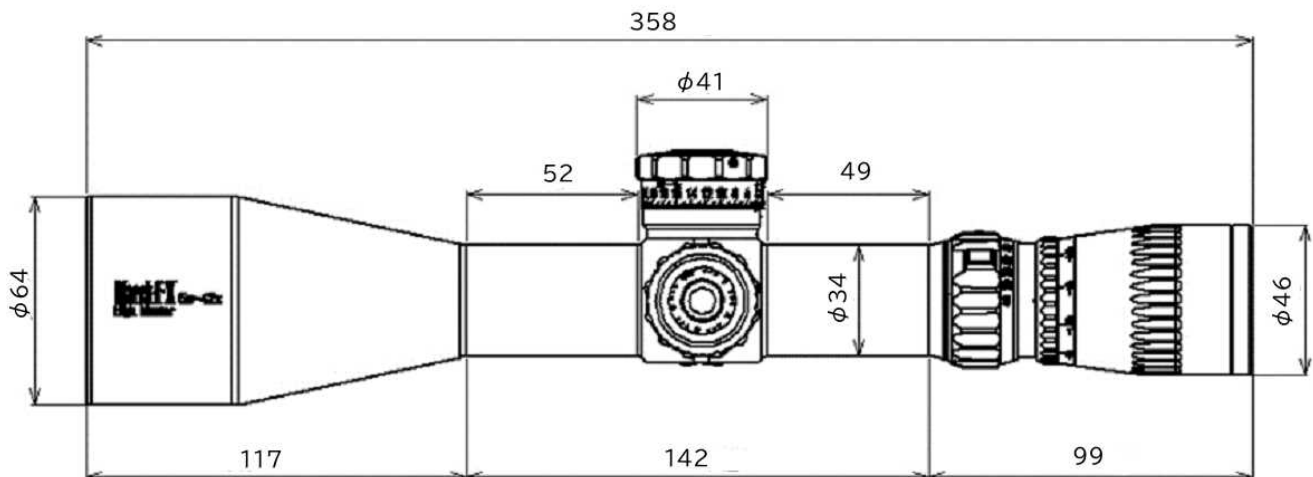
With your March scope securely installed on your rifle, it is now time to focus the reticle to your eyes.

With your scope at its lowest power setting, rotate the eyepiece counter-clockwise (when viewed from a normal shooting position) until the eyepiece moves freely. Looking through scope, aim at plain back ground such as the blue sky or a sheet of white paper.

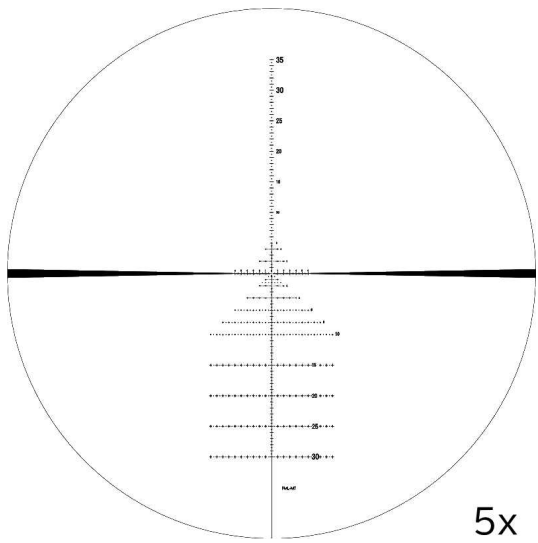
**DO NOT ATTEMPT TO LOOK AT THE SUN, AS PERMANENT EYE DAMAGE WILL RESULT.**

When you turn the eyepiece, the reticle's clarity will change as the focal length changes. When the reticle is focused for your eyes, turn the locking ring counter-clockwise until it is firm against the eyepiece.

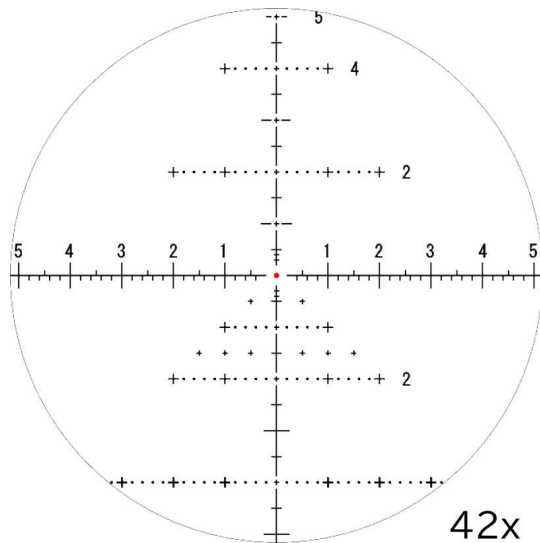
Do not attempt to over tighten but it must be firm.



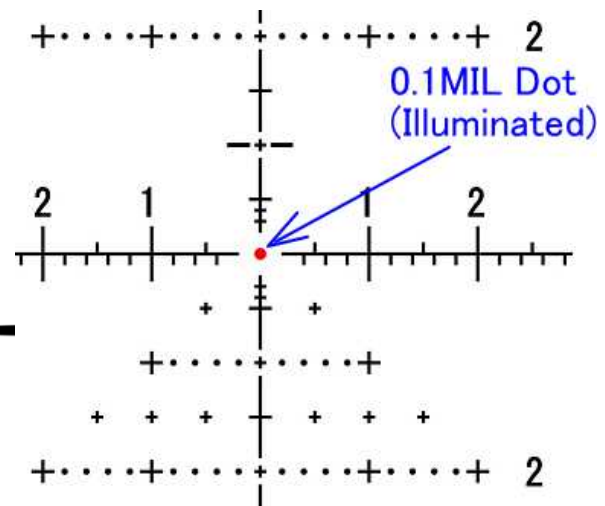
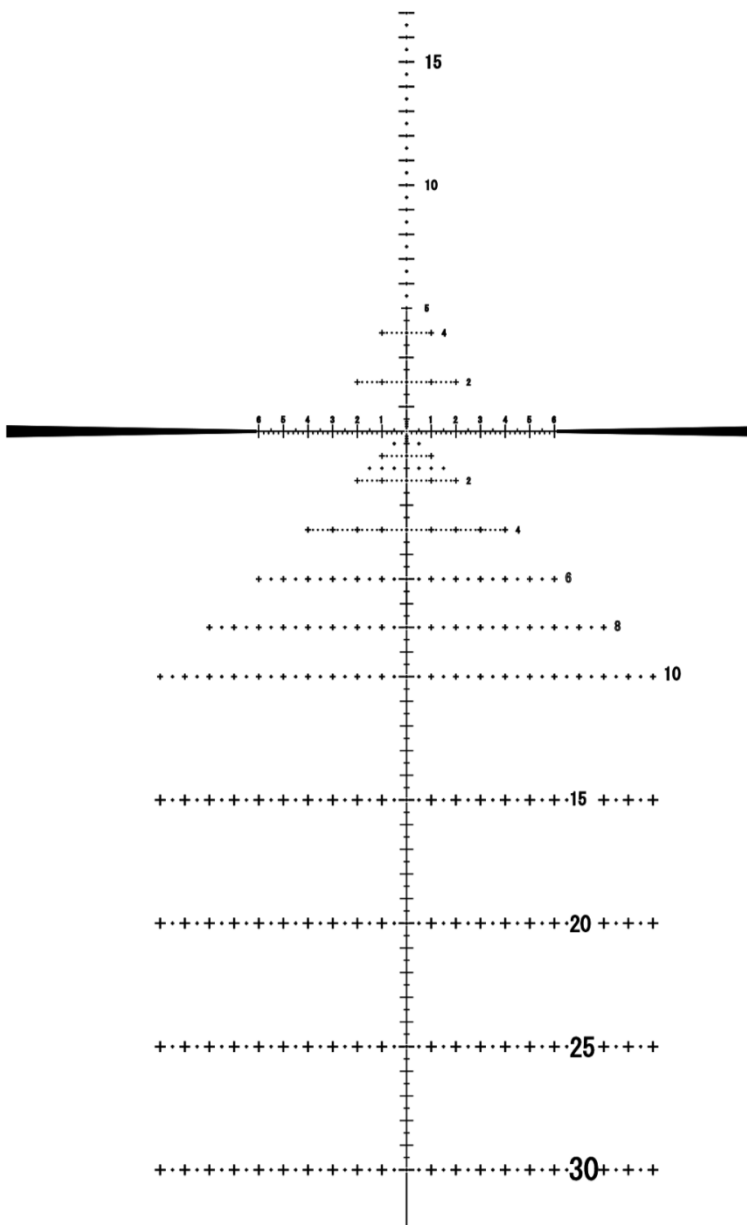
# FML-MT Mil Model (Illuminated )



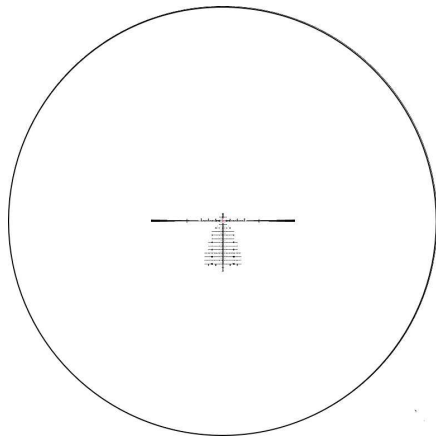
5x



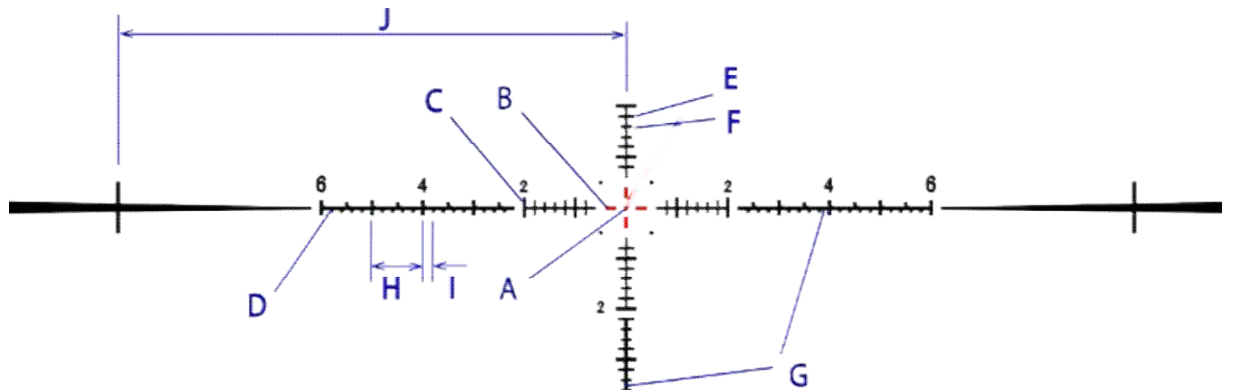
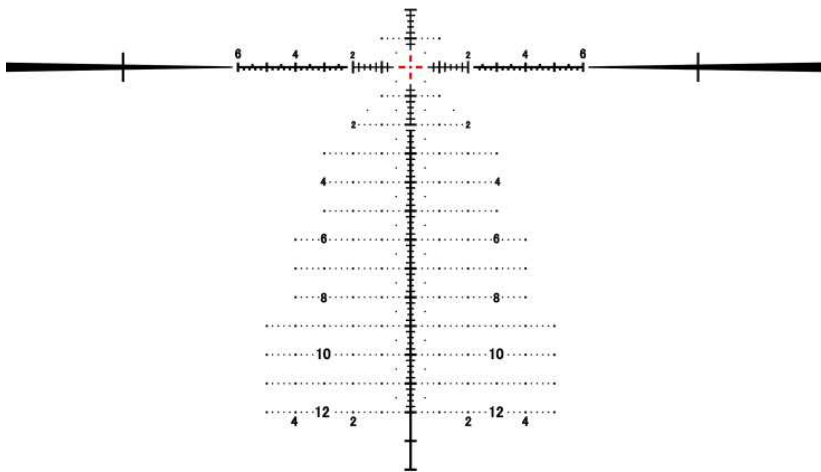
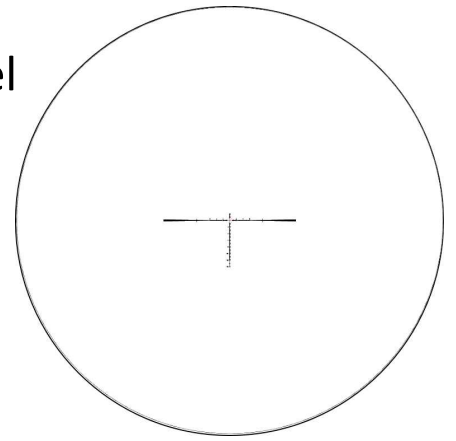
42x



FML-TR1  
Mil model



FML-3  
Mil model



FML-3 & TR1 reticle sub-tensions

- A: 0.06Mil
- B: 0.06
- C: 0.4
- D: 0.1
- E: 0.3
- F: 0.2
- G: 0.05
- H: 1
- I: 0.2
- J: 10



March-FX 5x-42x56HM SPECIFICATIONS			
		MIL model	
Model No.		D42HV56FWIML	
Magnification	Low		5x
	High		42x
Effective Lens Diameter			56mm
Exit Pupil	Low		5.2mm
	High		1.33mm
Field of View real	Degree	Low	5.2°
		High	0.62°
	ft/Yd	Low	26.19ft/100Yds
		High	3.25ft/100Yds
Eye Relief	Low		71-90.4mm
	High		74.2-90mm
1 Click Value			0.1MIL
1 Turn travel			10MIL
Elevation Travel			40MIL
Windage Travel			14MIL
Focus			Side Focus/Parallax
Distance			10m-Infinity
Finish			Matte Black
Illumination			Illumination
Reticle			FML-MT FML-TR1 FML-3
Weight			950g