

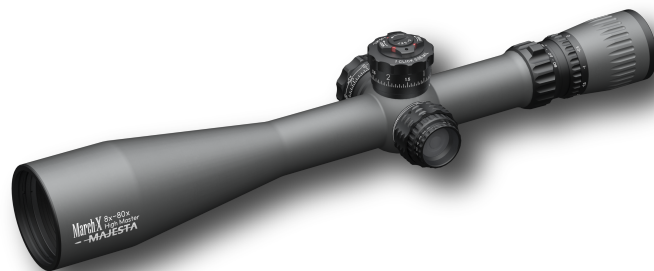


March-X		
8x-80x56 HM Majesta SPECIFICATIONS		
Model No.	D80HV56WTIX-GR	D80HV56WTIMLX-GR
		SFP
Magnification	(Low)	8 x
	(High)	80 x
Effective Lens Diameter		56mm
Body Tube Diameter		34mm
Exit pupil	(Low)	4.1mm
	(High)	0.7mm
Field of View (real)	(Low)	3.12°
	at 100yds	16.4ft
	at 100m	5.45m
	(High)	0.31°
	at 100yds	1.64ft
	at 100m	0.54m
Eye Relief	(Low)	76-92mm
	(High)	79-92mm
1 Click Adjustment	1/8MOA	0.05MIL
Elevation Travel	66MOA	19MIL
Windage Travel	36MOA	10MIL
Focus	Side focus	
Distance	10YD-∞	
Reticle	W-Dot	W-Dot MML-W1
	MTR-W0	
	MTR-W1	
	MTR-W2	
	MTR-WFT MTR-WFD	
Illuminated	<input type="radio"/>	<input type="radio"/>
Adjustment cap	X	
Adjustment dial	Tactical	
Adj. 0-set Device	<input type="radio"/>	
Weight	1175g	1175g

March-X

8x-80x56mm HM Majesta

Owners Manual



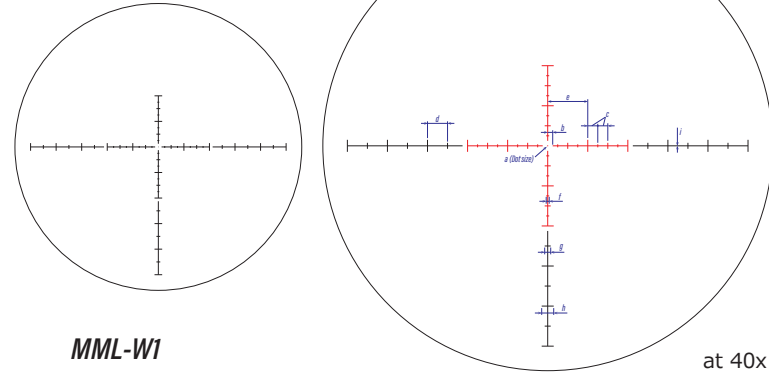
Windage and elevation markings



MOA model

Elevation dial
 1 Click : 1/8MOA
 1 Turn : 10MOA
 Total adj. range : 66MOA

Windage dial
 1 Click : 1/8MOA
 1 Turn : 10MOA
 Total adj. range : 36MOA



MML-W1

at 40x

magnif.	unit	a	b	c	d	e	f	g	h	i
40x	cm/100m	0.3	1.3	2.5	5.0	10.0	0.8	1.5	3.0	0.08
	in/100yd	0.11	0.45	0.90	1.80	3.60	0.27	0.54	1.08	0.03
	mrad	0.03	0.125	0.25	0.5	1	0.07	0.15	0.3	0.008



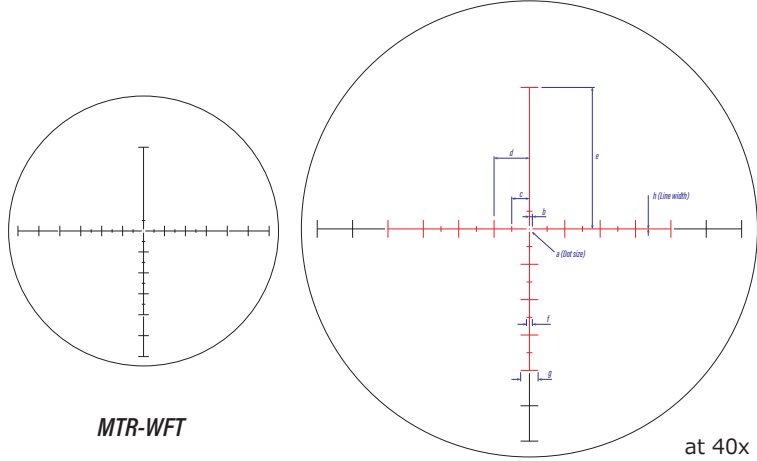
MIL model

Elevation dial
 1 Click : 0.05MIL
 1 Turn : 5MIL
 Total adj. range : 19MIL

Windage dial
 1 Click : 0.05MIL
 1 Turn : 5MIL
 Total adj. range : 10MIL

Shuriken lock turrets

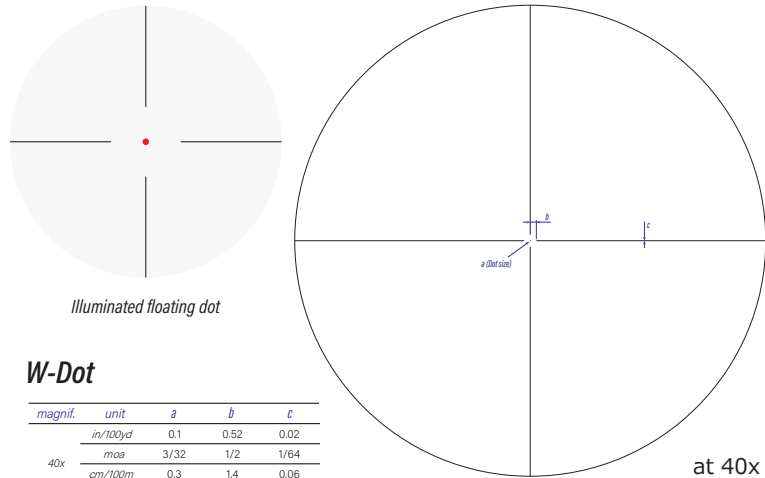
“Shuriken” is a star shaped throwing knife used by Ninja. Red is for locked state and white is for unlocked state.



MTR-WFT

at 40x

magnif.	unit	a	b	c	d	e	f	g	h	i
	cm/100m	-	-	-	-	-	-	-	-	-
40x	in/100yd	0.10	0.26	1.57	3.14	12.57	0.52	1.57	0.05	-
	moa	3/32	0.25	1.5	3	12	0.5	1.5	0.05	-



Illuminated floating dot

W-Dot

at 40x

magnif.	unit	a	b	c
	in/100yd	0.1	0.52	0.02
40x	moa	3/32	1/2	1/64
	cm/100m	0.3	1.4	0.06
	mrاد	0.03	0.15	0.005

Zero Set Function

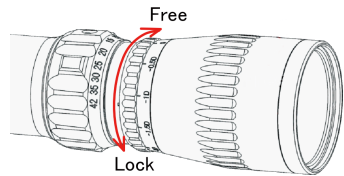
The March 8x-80x56 High Master Majesta takes a different approach to the Zero Set. After setting the elevation dial to the desired position, hold the dial with your fingers and turn the “0-SET” Dial counter-clockwise using a coin or correctly sized screw drive until the bottom stop is reached. At this point the elevation cannot be lowered

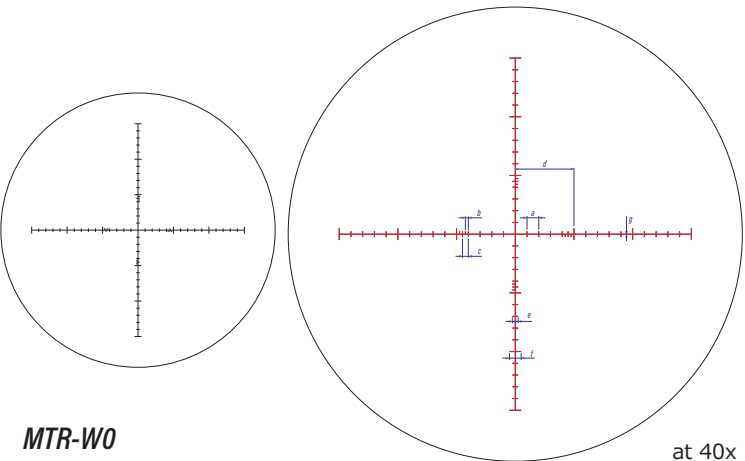
so that you will not lose your starting point. If you do not need to use the Zero Set function, turn the “0-SET” dial clockwise until it reaches the top of its travel.



Fast focus & Wide angle Eyepiece

This Fast Focus Eyepiece is capable of adjusting ±2 diopter in a single turn. Hence this enables prompt adjustment for the Eyepiece. With this 25 Degree Wide Angle Eyepiece, you will be able to aim the target / game with a wide view.

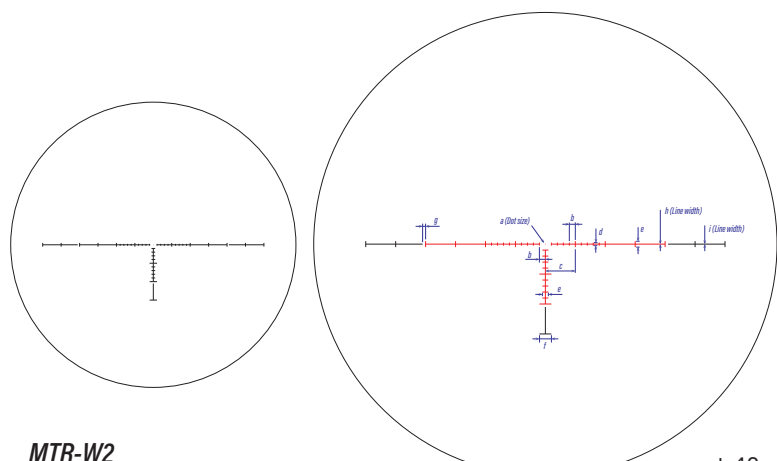




MTR-W0

magnif.	unit	a	b	c	d	e	f	g
	cm/100m	2.9	0.7	1.5	14.5	1.5	2.9	0.06
40x	in/100yd	1.05	0.26	0.52	5.24	0.52	1.05	0.02
	moa	1	1/4	1/2	5	0.5	1	0.02

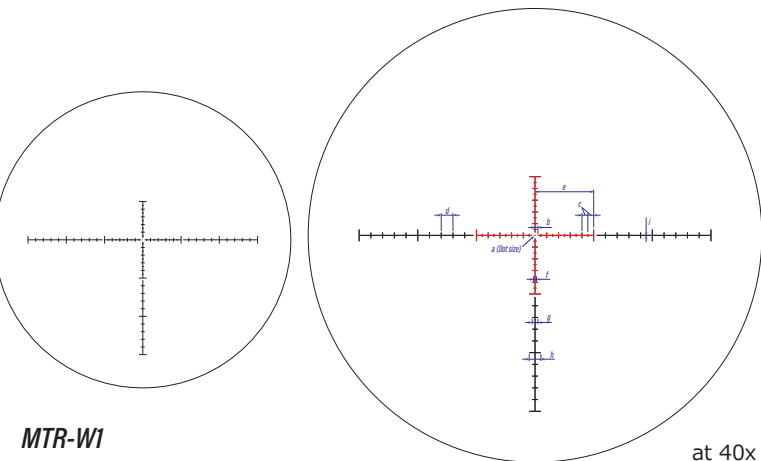
at 40x



MTR-W2

magnif.	unit	a	b	c	d	e	f	g	h	i
	cm/100m	0.2	1.5	7.3	0.7	1.5	2.9	0.7	0.06	0.12
40x	in/100yd	0.07	0.52	2.62	0.26	0.52	1.05	0.26	0.02	0.04
	moa	1/16	0.5	2.5	0.25	0.5	1	0.25	0.02	0.04

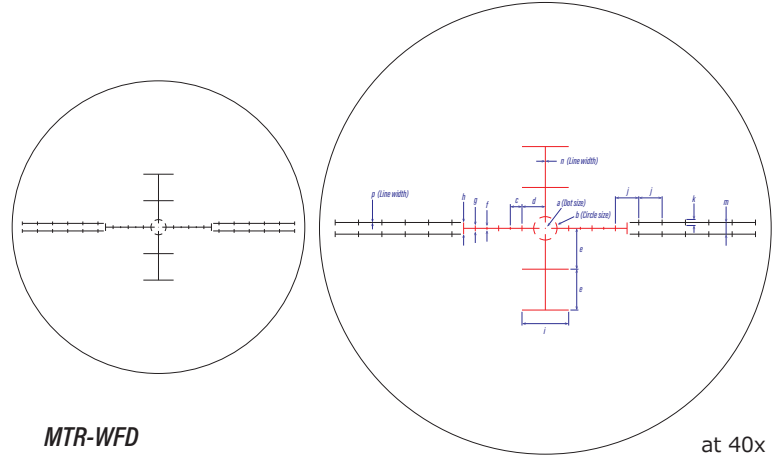
at 40x



MTR-W1

magnif.	unit	a	b	c	d	e	f	g	h	i
	cm/100m	0.3	0.7	1.5	2.9	14.5	0.7	1.5	2.9	0.06
40x	in/100yd	0.10	0.26	0.52	1.05	5.24	0.26	0.52	1.05	0.02
	moa	3/32	0.25	0.5	1	5	0.25	0.5	1	0.02

at 40x



MTR-WFD

magnif.	unit	a	b/d/j	c/h/m	e	f	g/k	i	n	p
	cm/100m	-	-	-	-	-	-	-	-	-
40x	in/100yd	0.10	2.09	1.05	3.67	0.26	0.52	4.19	0.04	0.06
	moa	3/32	2	1	3.5	0.25	0.5	4	0.04	0.06

at 40x