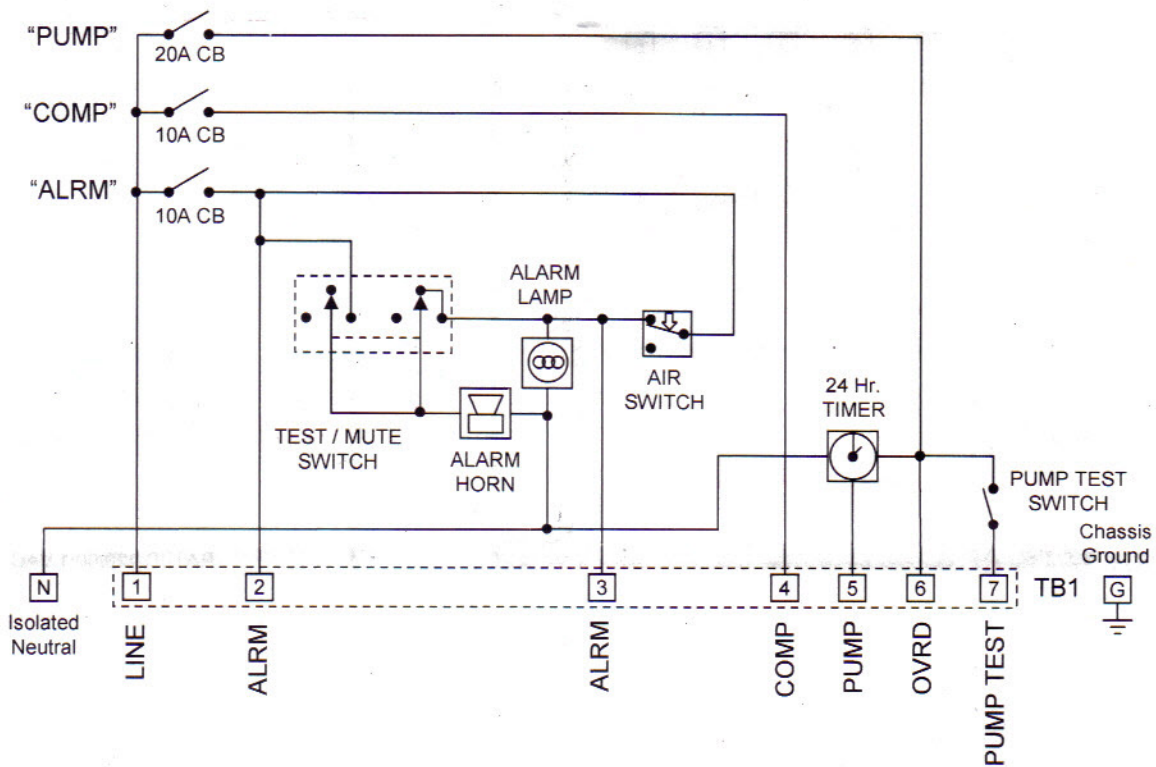


Notes for field installed components:

1. Main Disconnect, Branch Circuit Protection, wiring and external components to be provided by installer.
2. Field wiring - #12 - #10 AWG, 60°C min, use copper conductors only.
3. Field installed conduit fittings must be rated for use with Type 4X Enclosure.
4. Refer to local codes for float placement. Some jurisdictional authorities require the override float to be located above the high water alarm float.
5. **Conduit openings must be sealed around wiring with an electrical grade (non-corrosive) sealant to prevent potentially harmful vapors from entering the control panel.**

Copyright Notice

All information contained on this page is proprietary to Ecological Tanks, Inc. and no part of this information may be reproduced, stored in a retrieval system or transmitted in any form or by any means, electronic, mechanical, photocopying, recording or otherwise without the prior written permission of Ecological Tanks, Inc..



Copyright Notice

All information contained on this page is proprietary to Ecological Tanks, Inc. and no part of this information may be reproduced, stored in a retrieval system or transmitted in any form or by any means, electronic, mechanical, photocopying, recording or otherwise without the prior written permission of Ecological Tanks, Inc..

24 Hr. Timer Instructions

9/27/04

Time Setting

The clock measures time for a 24 hour day with the hour numbers shown on the outer dial. The dial has an "AM" or "PM" at the 6 o'clock position for each half of the day. The clock also has hour & minute hands with the 12, 9 & 6 o'clock numbers shown on the inner dial.

To set the time, turn the outer dial gradually **CLOCKWISE** until the correct time of day on the outer dial is aligned with the Index Triangle on the inner dial (located at the 2 o'clock position). The hour hand should show the correct hour. For the minute setting, turn the minute hand **CLOCKWISE** to the exact time of day.

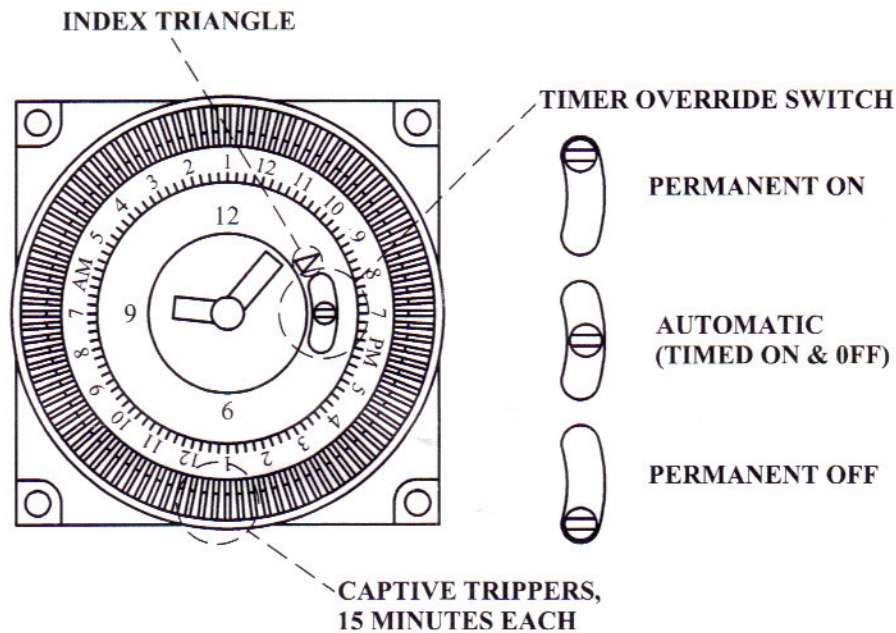
Programming

The time switch is programmed by pushing the Captive Trippers to the outer ring position for the entire time that the pump is to be turned "ON". Trippers function when they are aligned next to the Index Triangle on the inner dial. Each Tripper controls the pump for 15 minutes. The pump will be "OFF" for each Tripper pushed to the inside ring. The time of day that each Tripper will control the pump is shown by the hour number and quarter-hour marks next to it on the outer dial.

Automatic Mode

In order for the timer to control the pump in the automatic mode, the Timer Override Switch must be in the "AUTOMATIC" position as shown in the picture below. The top or "1" position is a manual override that allows the pump to be controlled solely by the float switch and the bottom or "0" is the "OFF" position. In the "OFF" position, the timer will continue to run but the pump will not turn on.

NOTE: Placing the switch in the "1" (PERMANENT ON) position will turn the pump on immediately provided there is enough water in the tank to trip the float switch.



C-IP-009

All information contained on this page is proprietary to Ecological Tanks, Inc. and no part of this information may be reproduced, stored in a retrieval system or transmitted in any form or by any means, electronic, mechanical, photocopying, recording or otherwise without the prior written permission of Ecological Tanks, Inc..