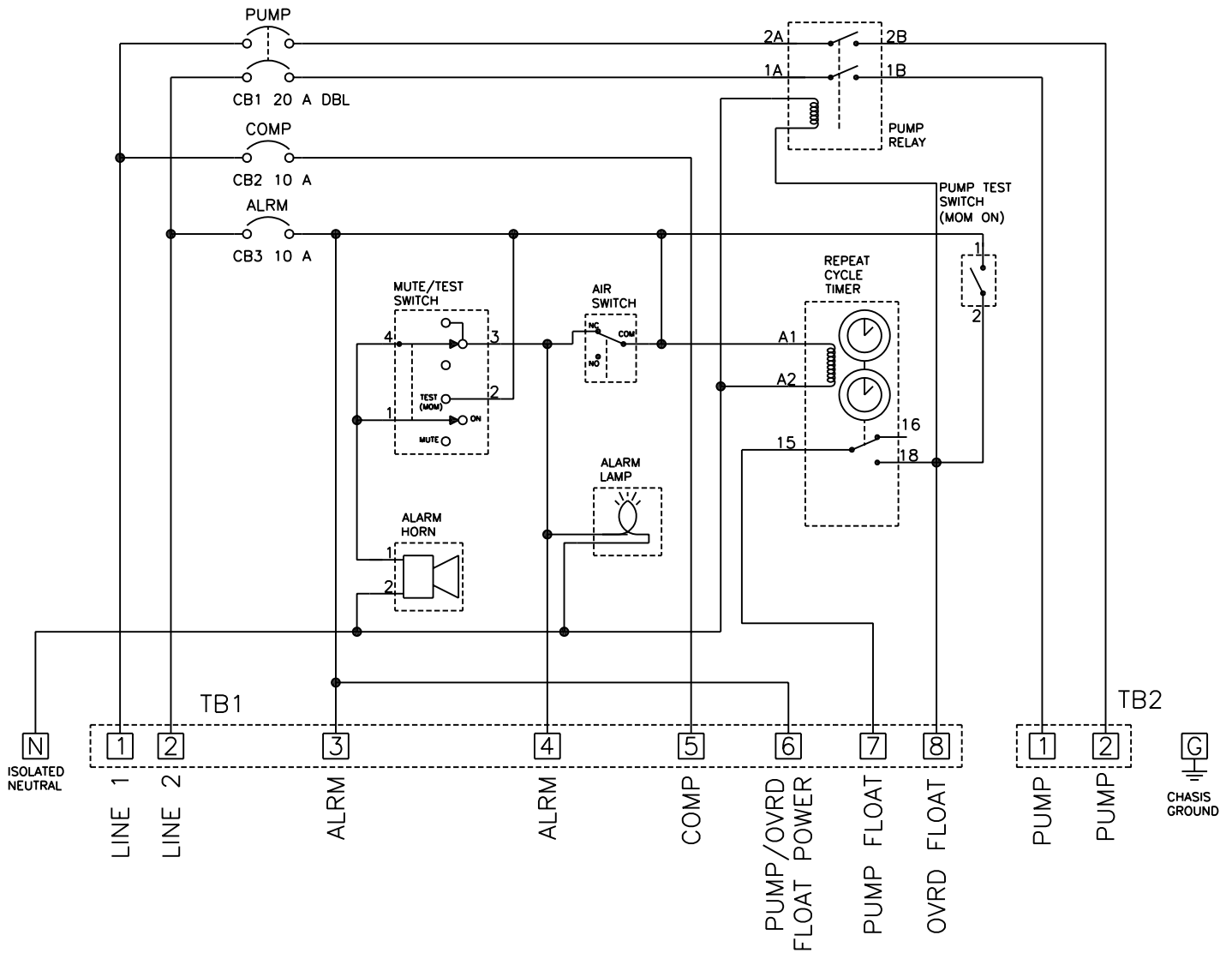


**WIRE CONNECTION SCREW TORQUE**

TERMINAL BLOCK	- 14 - 10 AWG	- 16 IN LBS
NEUTRAL/GND LUGS	- 14 - 10 AWG	- 35 IN LBS
	8 AWG	- 40 IN LBS
	6 - 4 AWG	- 45 IN LBS

- Notes for field installed components:**
1. Main Disconnect, Branch Circuit Protection, wiring and external components to be provided by installer.
  2. Field wiring - #12 – #10 AWG, 60°C min, use copper conductors only.
  3. Field installed conduit fittings must be rated for use with Type 4X Enclosure.
  4. Refer to local codes for float placement. Some jurisdictional authorities require the override float to be located above the high water alarm float.
  5. **Conduit openings must be sealed around wiring with an electrical grade (non-corrosive) sealant to prevent potentially harmful vapors from entering the control panel.**

Copyright Notice



All information contained on this page is proprietary to Ecological Tanks, Inc. and no part of this information may be reproduced, stored in a retrieval system or transmitted in any form or by any means, electronic, mechanical, photocopying, recording or otherwise without the prior written permission of Ecological Tanks, Inc.