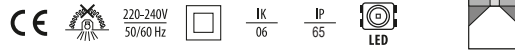


Group in Catalogue : **INTERIOR**

## Modular Low Glare COB Downlight



### TECHNICAL DATA

Mounting: in the ceiling, with mounting frame  
 Body: high pressure die-cast aluminum, PMMA  
 Colour: white  
 Diffuser: acrylic clear (PMMA)

### ELECTRICAL DATA

Power supply efficiency: >84%  
 Power: 220-240V 50/60Hz  
 Includes light source: yes  
 Type of equipment: ED  
 Electrical connection: max 2x1,5 mm<sup>2</sup> wire

### OPTICAL DATA

Light distribution: circular  
 Way of lighting: direct  
 Type of optic: reflector  
 Reflector: aluminum polished faceted

### GENERAL DATA

Lifetime (L70B10): 50 000 h  
 Operating temperature range: 0°C ... +40°C  
 Available on request: DALI, DIM 1..10V  
 Application: public utility facilities, delicatessen, supermarkets, shopping centers, offices, car showrooms, pathways, halls, classrooms, corridors, flats



Code	Beam Angle	Power	Luminaire Lumens [Lm]	Efficacy [Lum/W]	CCT	CRI
SPK.RSS15C93	60	15	1500	100	3000	90
SPK.RSS20C93	60	20	2000	100	3000	90
SPK.RSS30C93	60	30	3000	100	3000	90
SPK.RSS50C93	60	50	5000	100	3000	90
SPK.RSS15C94	60	15	1650	110	4000	90
SPK.RSS20C94	60	20	2200	110	4000	90
SPK.RSS30C94	60	30	3300	110	4000	90
SPK.RSS50C94	60	50	5500	110	4000	90

Luminous flux tolerance +/- 10%.  
 Power tolerance +/- 5%.

Lighting beam, light intensity distribution and light efficiency were examined in accordance with the EN ISO 17025:2005 norm for EN13032 norm series and the LM-79 norm.

Up-to-date product info and General Warranty Terms available on our website [www.spoke.net.au](http://www.spoke.net.au)

Detailed information on luminous fluxes and powers for individual indexes are indicated on the product data sheet.

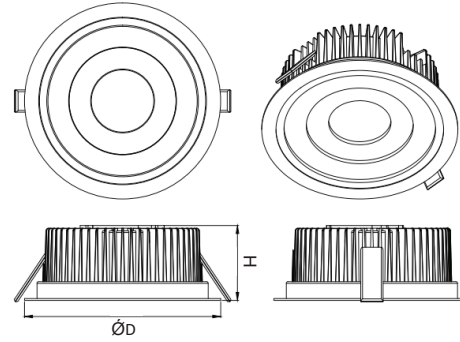
The parameters in the data sheet are given for Ta=25°C.

Colour temperature tolerance +/- 5%.

SPOKE Lighting reserves the right to introduce any construction changes and improvements into the lighting luminaires

Group in Catalogue : **INTERIOR**

Code	Dimensions (mm)	Hole Cut (mm)
SPK.RSS15C93	110 x 59	90
SPK.RSS20C93	127 x 70	110
SPK.RSS30C93	165 x 80	145
SPK.RSS50C93	220 X 90	200
SPK.RSS15C94	110 x 59	90
SPK.RSS20C94	127 x 70	110
SPK.RSS30C94	165 x 80	145
SPK.RSS50C94	220 X 90	200



Luminous flux tolerance +/- 10%.

Power tolerance +/- 5%.

Lighting beam, light intensity distribution and light efficiency were examined in accordance with the EN ISO 17025:2005 norm for EN13032 norm series and the LM-79 norm.

Up-to-date product info and General Warranty Terms available on our website [www.spoke.net.au](http://www.spoke.net.au)

Detailed information on luminous fluxes and powers for individual indexes are indicated on the product data sheet.

The parameters in the data sheet are given for Ta=25°C.

Colour temperature tolerance +/- 5%.

SPOKE Lighting reserves the right to introduce any construction changes and improvements into the lighting luminaires