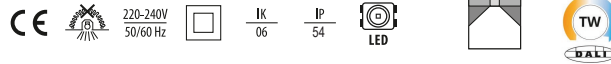


Group in Catalogue : **INTERIOR**

## Regressed COB Downlight



### TECHNICAL DATA

Mounting: in the ceiling, with mounting brackets (included)  
 Body: aluminum  
 Colour: white  
 RAL: 9003  
 Bezel colour / Detail: White/black/silver

### ELECTRICAL DATA

Operating temperature range [°C]: -25 ... +40  
 Power: 220-240V 50/60Hz  
 Includes light source: yes  
 Electrical connection: max 4x2,5 mm<sup>2</sup> wire

### OPTICAL DATA

Light distribution: rotationally-symmetric  
 Way of lighting: direct  
 Reflector: polished faceted  
 CRI/Ra: ≥80  
 CT-Tunable white variant

### GENERAL DATA

ULOR / DLOR: 0/100  
 GENERAL DATA Lifetime (L80B10): 60 000 h  
 Warranty: 5 years  
 Application: public utility facilities, delicatessen, supermarkets, shopping centers, offices, car showrooms, pathways, halls, classrooms, corridors



Code	Beam Angle	Power	Luminaire Lumens [Lm]	Efficacy [Lum/W]	CCT	CRI
SPK.WFA07	25	07	700	100	2700	90
SPK.WFA12	40	12	1200		3000	
SPK.WFA20	60	20	2000		3500	
SPK.WFA25		25	2500		4000	
					5000	
					TW-2700-6500	

Luminous flux tolerance +/- 10%.  
 Power tolerance +/- 5%.

Lighting beam, light intensity distribution and light efficiency were examined in accordance with the EN ISO 17025:2005 norm for EN13032 norm series and the LM-79 norm.

Up-to-date product info and General Warranty Terms available on our website [www.spoke.net.au](http://www.spoke.net.au)

Detailed information on luminous fluxes and powers for individual indexes are indicated on the product data sheet.

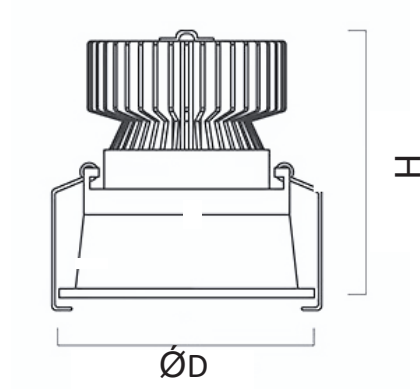
The parameters in the data sheet are given for Ta=25°C.

Colour temperature tolerance +/- 5%.

SPOKE Lighting reserves the right to introduce any construction changes and improvements into the lighting luminaires

Group in Catalogue : **INTERIOR**

Code	Dimensions (mm)	Hole Cut (mm)
SPK.WFA07	65(ØD) x 60(H)	55
SPK.WFA12	85(ØD) x 75(H)	75
SPK.WFA20	105(ØD) x 100(H)	95
SPK.WFA25	130(ØD) x 125(H)	115



Luminous flux tolerance +/- 10%.

Power tolerance +/- 5%.

Lighting beam, light intensity distribution and light efficiency were examined in accordance with the EN ISO 17025:2005 norm for EN13032 norm series and the LM-79 norm.

Up-to-date product info and General Warranty Terms available on our website [www.spoke.net.au](http://www.spoke.net.au)

Detailed information on luminous fluxes and powers for individual indexes are indicated on the product data sheet.

The parameters in the data sheet are given for Ta=25°C.

Colour temperature tolerance +/- 5%.

SPOKE Lighting reserves the right to introduce any construction changes and improvements into the lighting luminaires