



DIRECT MOUNT RECEIVER

System includes:

A 1 PLA150-M VLCE

Vent/Level Control Assembly for Internal or External Signal Line

B 1 PLA150-M SV

Pressureless Inlet/Shut-off Valve Assembly

C 1 R150CVRc-J

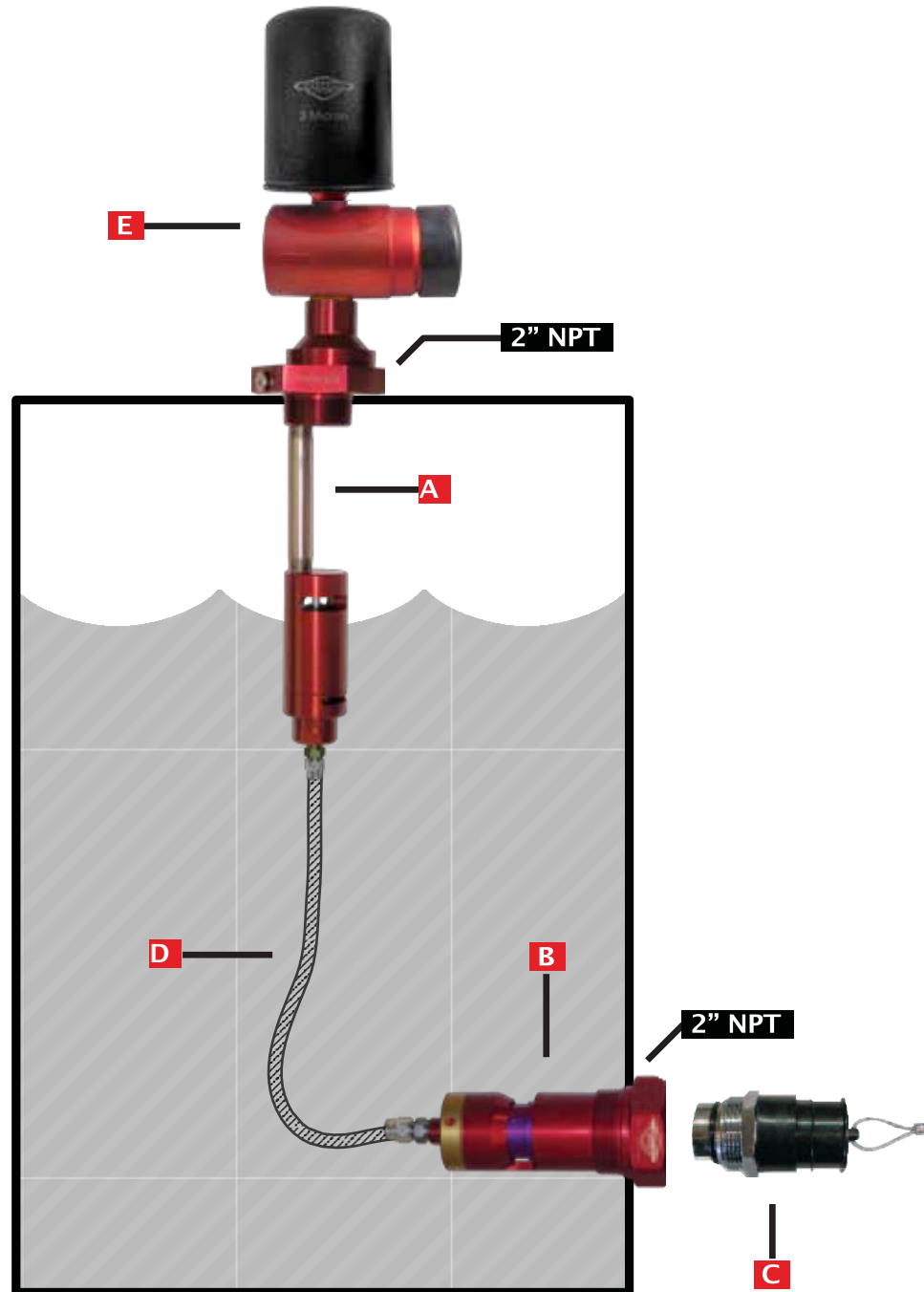
2pc Steel Fuel Receiver w/cap and green poppet

D 1 pl-p-6

10' Stainless Steel Signal Line w/ #6 JIC Female ends

E 1 FFV150-PL

3 Micron Filter Vent Assembly for Pressureless





PRESSURELESS SYSTEM



FAST FILL SYSTEMS

WORKS WITH BUT NOT LIMITED TO

24M CAT® Grader, 651, 657
Scrapers, 425L

System includes:

A 1 PLA150-M VLCE

Vent/Level Control
Assembly for Internal or
External Signal Line

B 1 PLA150-M SV61

6 Bolt Flange w/
Pressureless Shutoff Valve
w/Code 61 Flange for
Internal Signal Line
Connections

C 1 PLA150-M VF

6 Bolt CAT® Vent Flange
for 2" NPT (Replaces
CAT® 221-5303)

D 1 pl-p-6

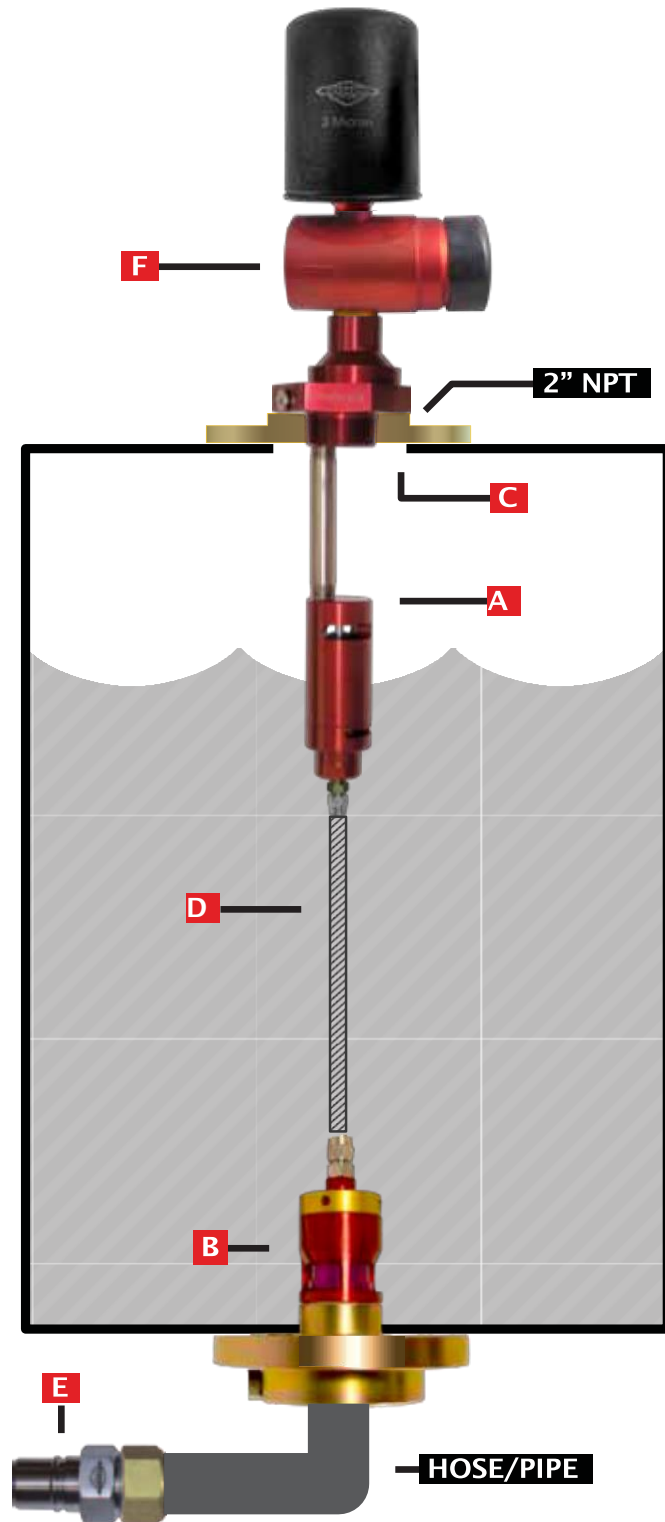
10' Stainless Steel Signal
Line w/ #6 JIC Female
ends

E 1 R150Sc-J

Steel Fuel Receiver w/cap
and green poppet

F 1 FFV150-PL

3 Micron Filter Vent
Assembly for Pressureless





PLASTIC TANK

System includes:

A 1 PLA150-M VLCE

Vent/Level Control Assembly for Internal or External Signal Line

B 2 PLA150-M PTF

Plastic Fuel tank Flange for either Vent or Receiver - Provides 2" NPT

C 1 PLA150-M SV-1

Pressureless Top Fill Drop-Down Shutoff Valve Assembly w/1ea 12" Tube - Does not include receiver.

D 1 R150Sc-J

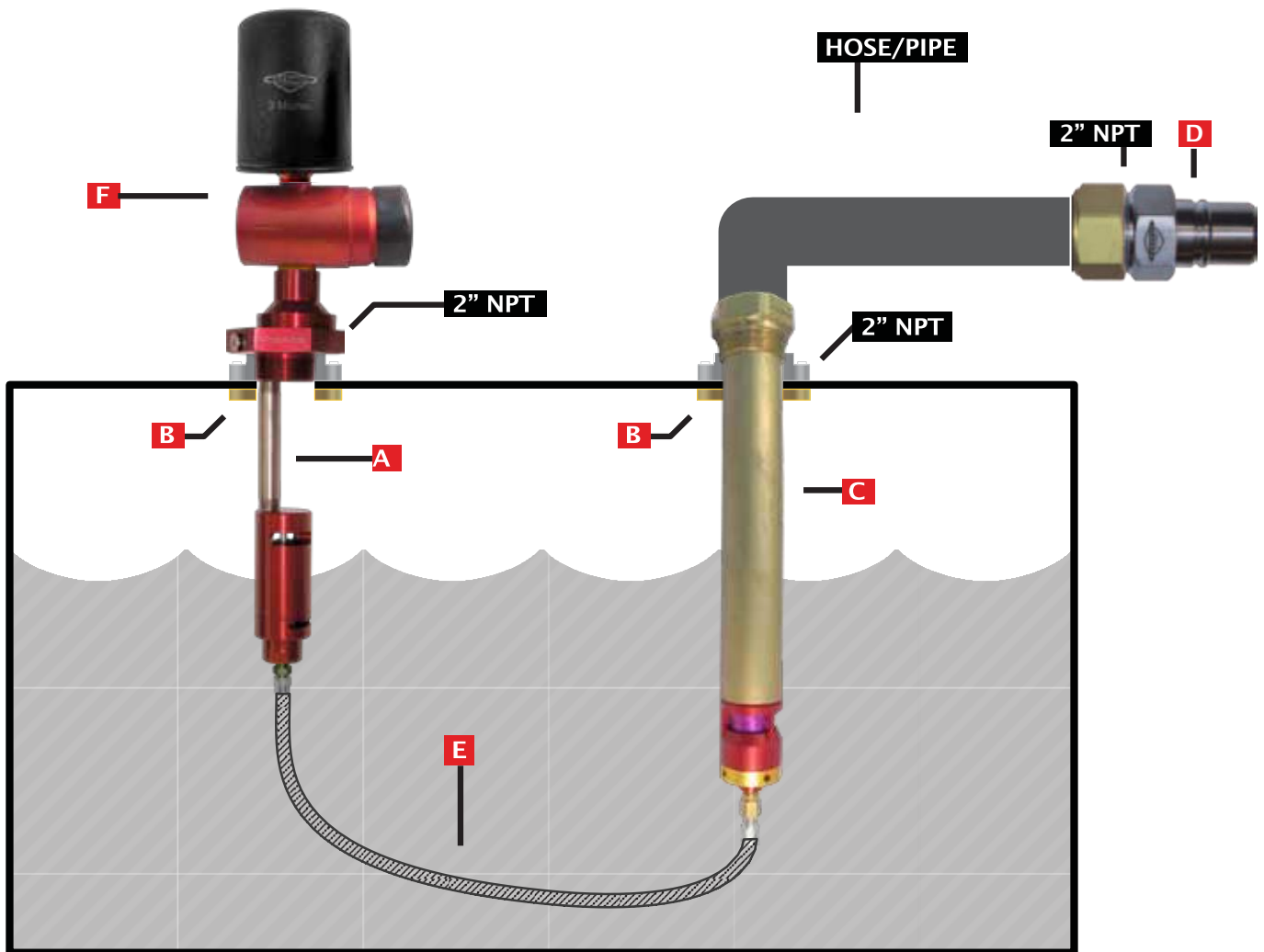
Steel Fuel Receiver w/cap and green poppet

E 1 pl-p-6x

Stainless Steel Signal Line w/ #6 JIC Female ends (length to be determined by placement)

F 1 FFV150-PL

3 Micron Filter Vent Assembly for Pressureless



RH340B TEREX O & K SHOVEL

System includes:

A 2 PLA150-M VLCE

Vent/Level Control Assembly for Internal or External Signal Line

B 2 PLA150-M RRM-2

Shutoff Valve Mounting "Can" for External Signal Line

D 2 pl-p-6

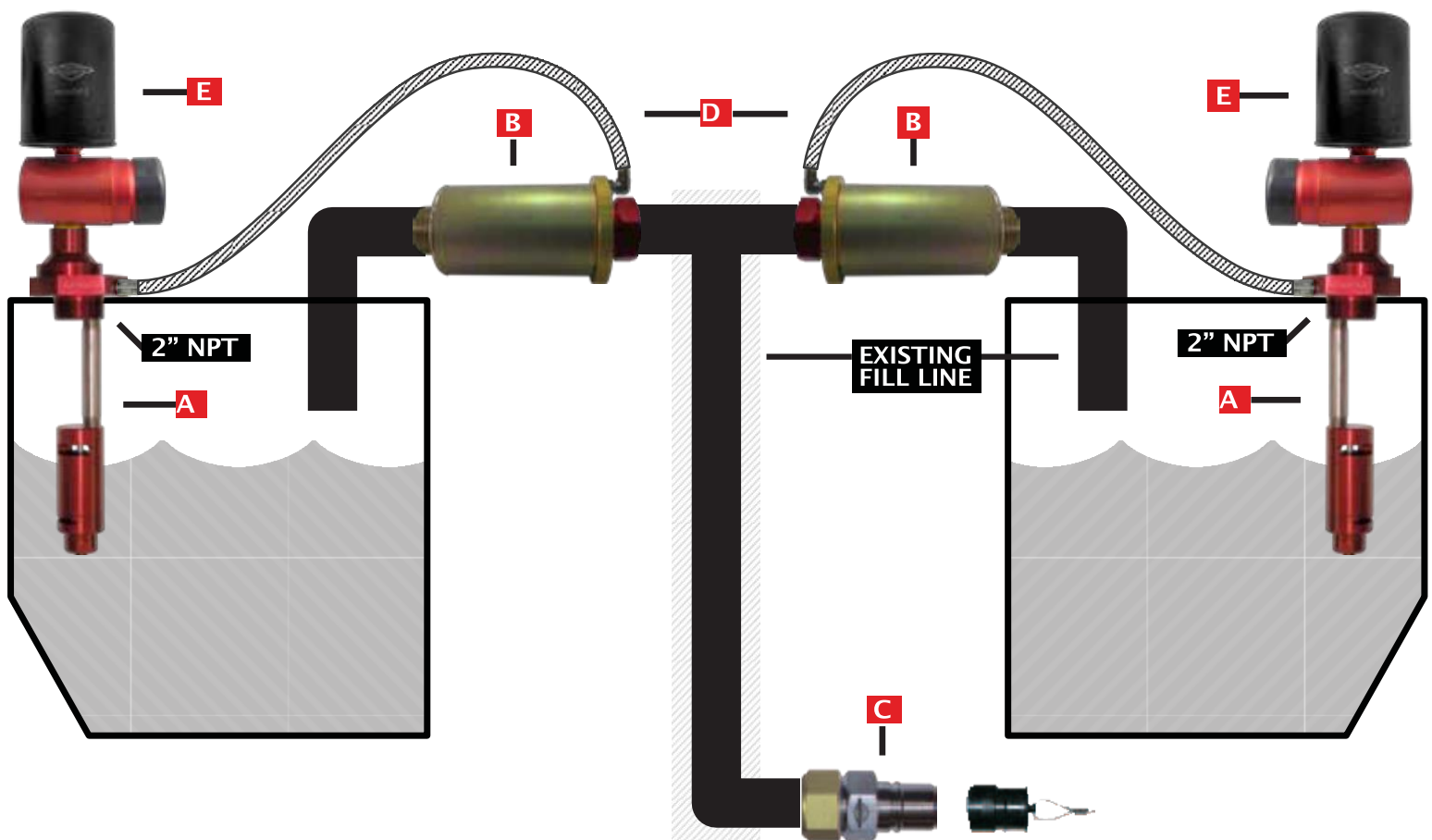
10' Stainless Steel Signal Line w/ #6 JIC Female ends

C 1 R150Sc-J

1 pc Steel Fuel Receiver w/Cap and Green Poppet

E 2 FFV150-PL

3 Micron Filter Vent Assembly for Pressureless





16M CAT® GRADER

System includes:

A 1 PLA150-M VLCE

Vent/Level Control Assembly for Internal or External Signal Line

B 1 PLA150-M SV61-12

12 Bolt Flange w/ Pressureless Shutoff Valve Assembly w/ Ext./Int. Signal Line Connections Includes 2 Pc Receiver

C 1 PLA150-M VF

6 Bolt CAT® Vent Flange for 2" NPT (Replaces CAT® 221-5303)

D 1 pl-p-6

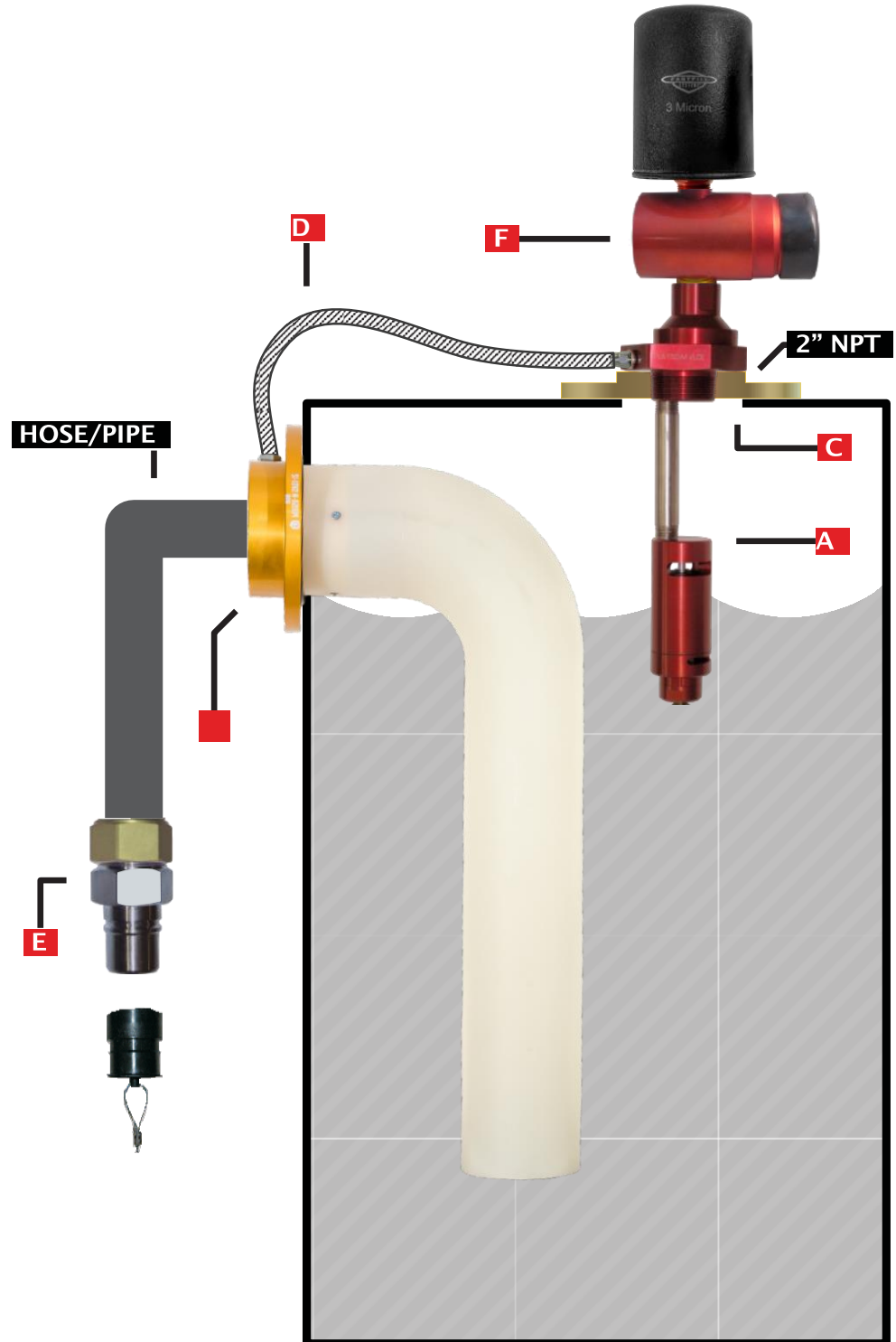
10' Stainless Steel Signal Line w/ #6 JIC Female ends

E 1 R150Sc-J

1 pc Steel Fuel Receiver w/ Green Poppet

F 1 FFV150-PL

3 Micron Filter Vent Assembly for Pressureless





D7-D11 CAT® DOZERS EXCEPT "R" MODELS

System includes:

A 1 PLA150-M VLCE-F2

Vent/Level Control Assembly for Internal or External Signal Line

B 1 PLA150-M SV61

6 Bolt Flange w/ Pressureless Shutoff Valve Assembly w/ Int. Signal Line Connections

D 1 pl-p-6

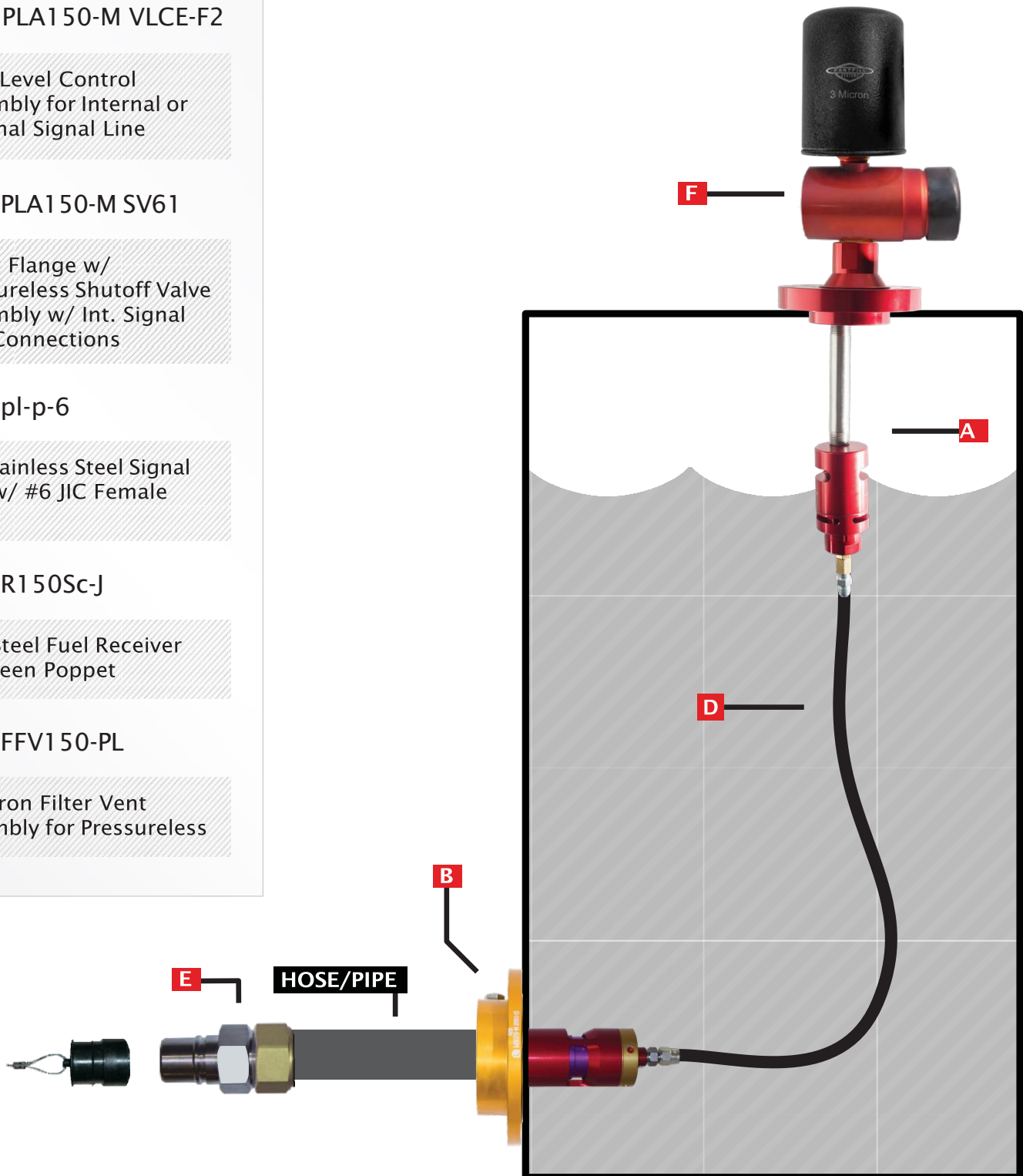
10' Stainless Steel Signal Line w/ #6 JIC Female ends

E 1 R150Sc-J

1 pc Steel Fuel Receiver w/ Green Poppet

F 1 FFV150-PL

3 Micron Filter Vent Assembly for Pressureless



16M CAT® GRADER CAT® CONFIGURATION

WORKS WITH BUT NOT LIMITED TO 627H CAT® SCRAPER

System includes:

A 1 PLA150-M VLCE-F2

Vent/Level Control Assembly for Internal or External Signal Line

B 1 PLA150-M SV61-12

12 Bolt Flange w/ Pressureless Shutoff Valve Assembly w/ Int. Signal Line Connections

D 1 pl-p-6

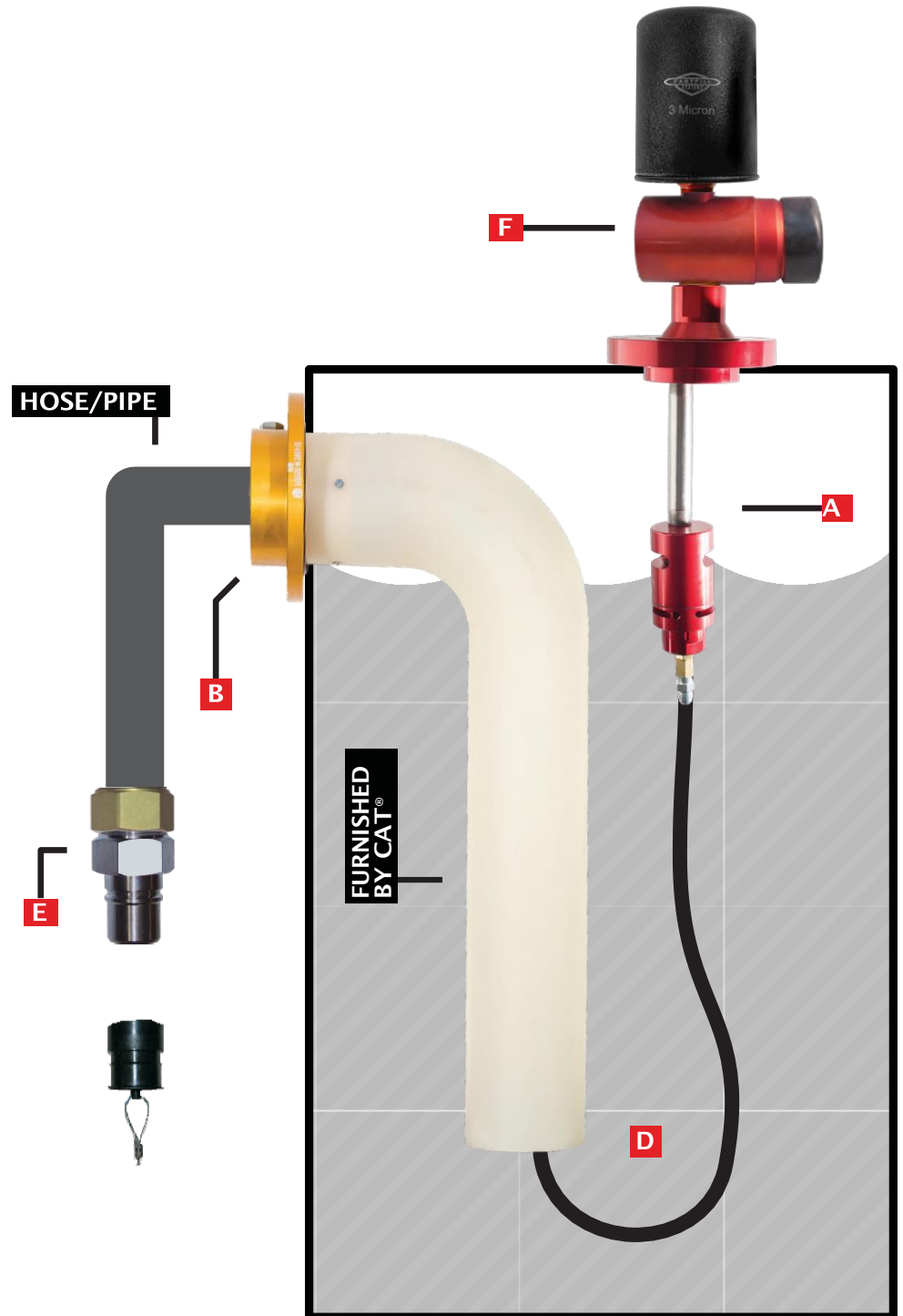
10' Stainless Steel Signal Line w/ #6 JIC Female ends

E 1 R150Sc-J

1 pc Steel Fuel Receiver w/ Green Poppet

F 1 FFV150-PL

3 Micron Filter Vent Assembly for Pressureless



CAT® 992G WHEEL LOADER

System includes:

A 1 PLA150-M VLCE

Vent/Level Control Assembly for Internal or External Signal Line

B 2 FFV150-LP

Low Profile 3 Micron Filter Vent Assembly for Pressureless

C 1 PLA150-M SV

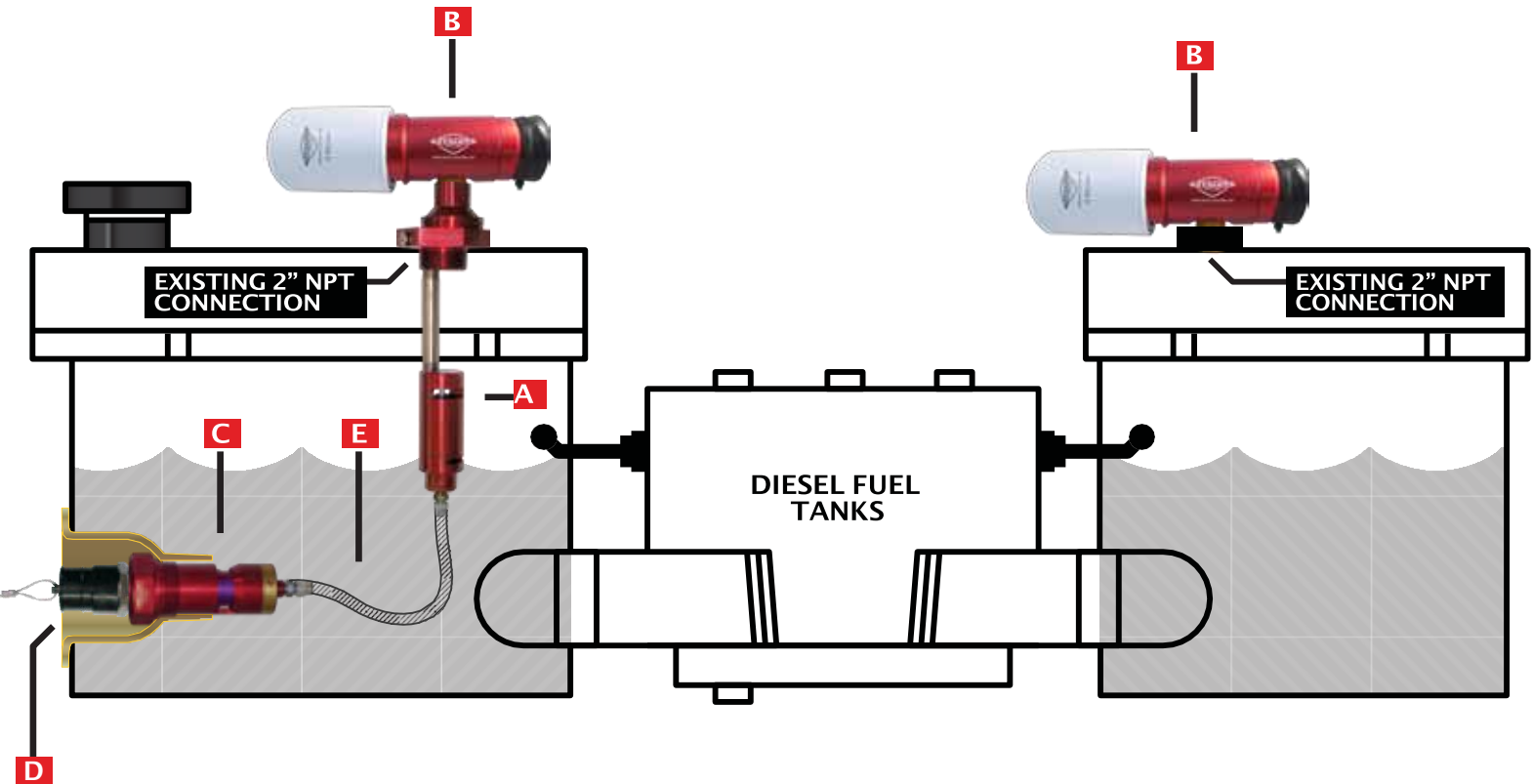
Pressureless Inlet/Shut-Off Valve Assembly

D 1 R150CVRc-J

2pc Steel Fuel Receiver w/cap and green poppet

E 1 pl-p-6

10' Stainless Steel Signal Line w/ #6 JIC Female ends



VOLVO® PRESSURELESS

PLATE WORKS WITH
BUT NOT LIMITED TO

A35F, A40F Articulated Dump Truck

PLA150-M VOLVO

System includes:

A 1 PLA150-M VLCE

Vent/Level Control Assembly for
Internal or External Signal Line

B 1 PLA-SE-7

Volvo plate Gasket

C 1 PLA150-M SV-2V

2ea 12" Dropdown Tubes w/
Shutoff Valve Assy

D 1 R150Sc-J

2" Steel Fuel Receiver
w/cap and green poppet

E 1 pl-p-6-B

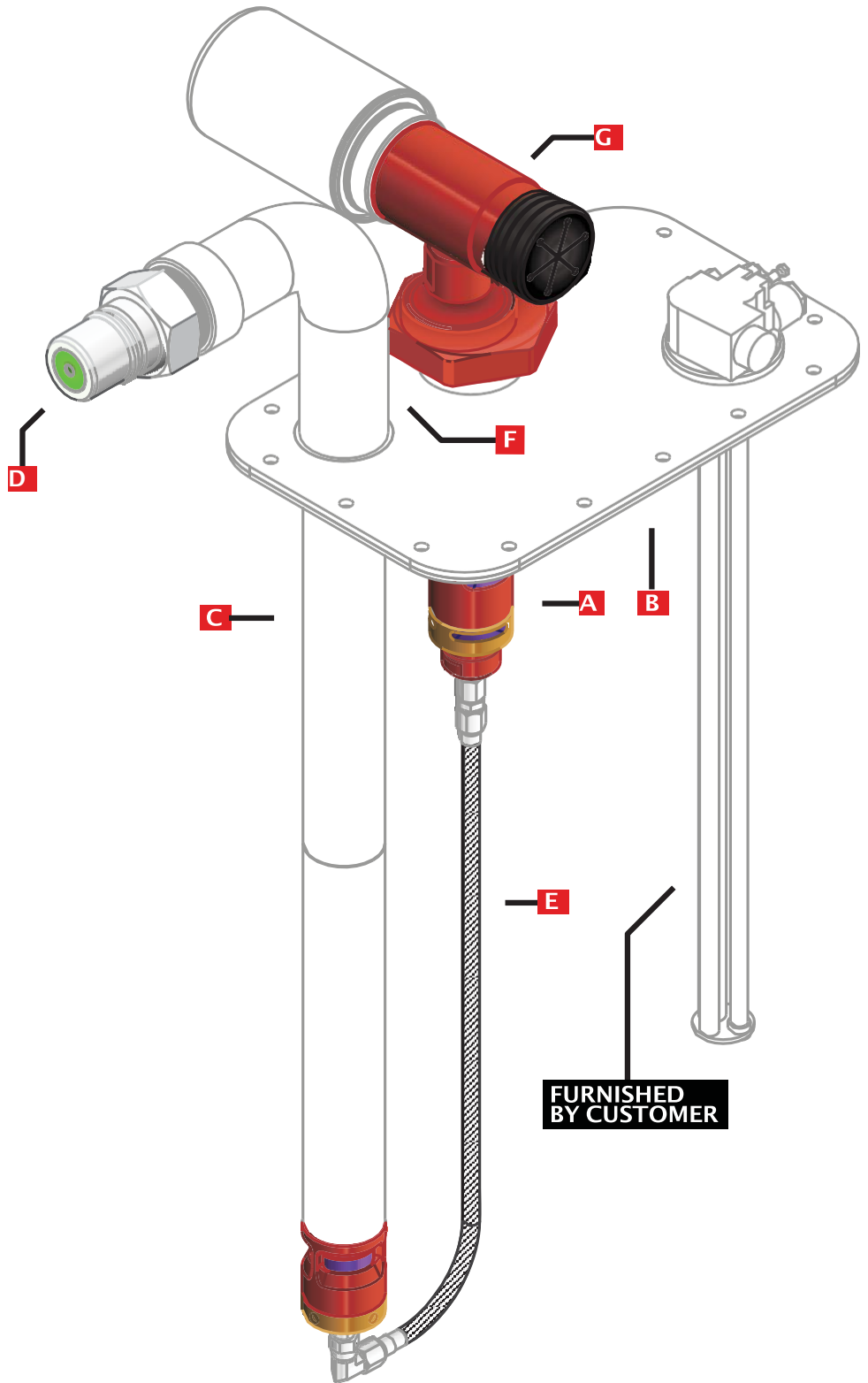
3' Stainless Steel Signal Line w/
#6 JIC Female ends

F 1 PLA-MW-45ABC

Volvo plate w/ Fuel Receiver Neck

G 1 FFV150 LP

Low Profile 3 Micron Filter Vent
for Pressureless



LIEBHERR T282C HAUL TRUCK

System Includes:

A 1 PLA150-M VLCE

Vent/Level Control Assembly for Internal or External Signal Line

B 1 PLA150-M SV

Pressureless Inlet/Shutoff Valve Assembly

C 1 R150CVRc-J

2 pc Steel Fuel Receiver w/Cap and Green Poppet

C 1 PLA-P-38

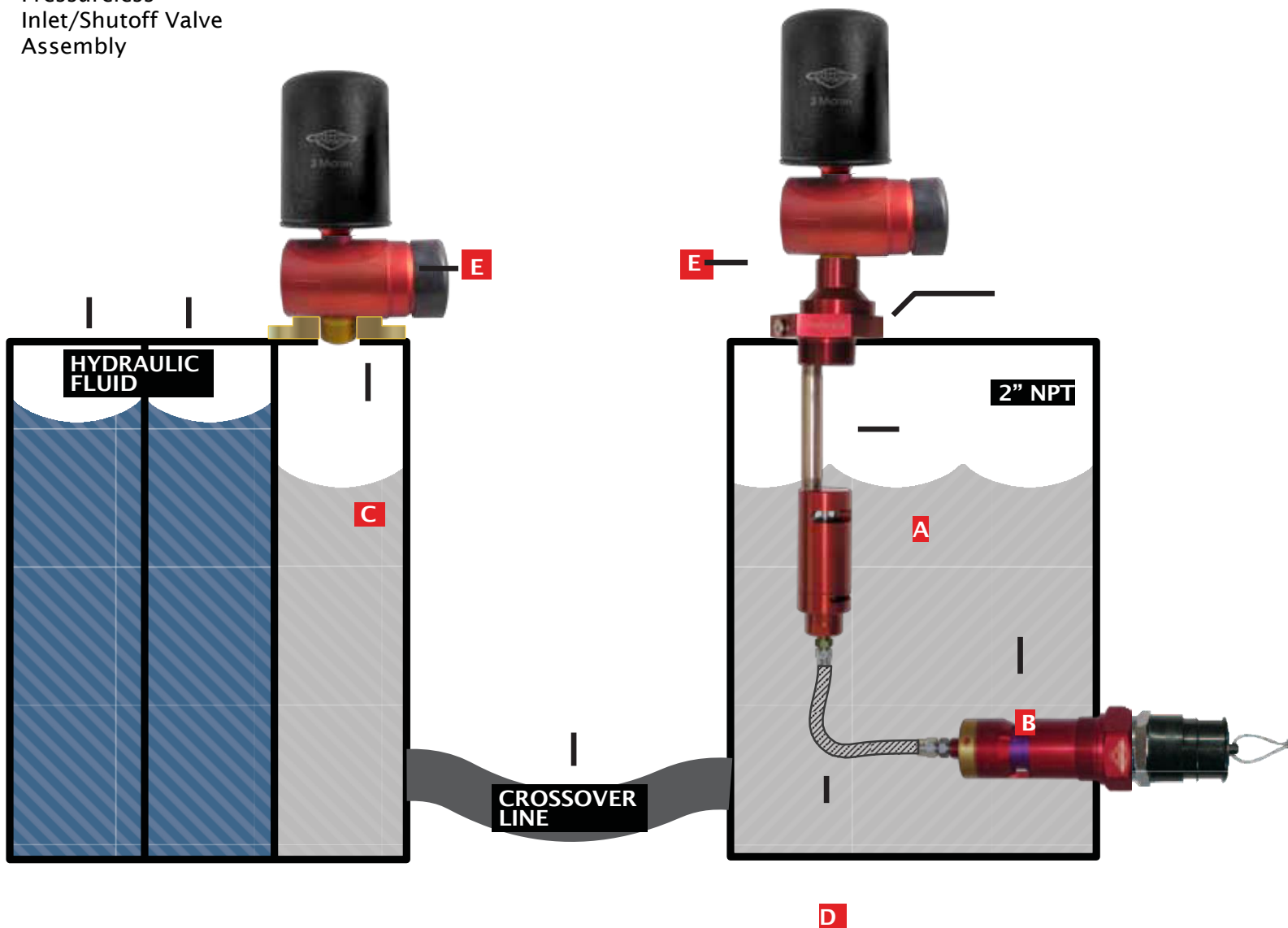
2" M NPT to 1" F NPT Bushing

D 1 pl-p-6

10' Stainless Steel Signal Line w/ #6 JIC Female ends

E 2 FFV150-PL

3 Micron Filter Vent Assembly for Pressureless



DIRECT MOUNT WITH BELL HOUSING

System includes:

A 1 PLA150-M VLCE

Vent/Level Control Assembly for Internal or External Signal Line

B 1 PLA150-M SV

Pressureless Inlet/Shut-off Valve Assembly

C 1 FFF4C

Flush Mount Weld-On Bell Housing

D 1 pl-p-6

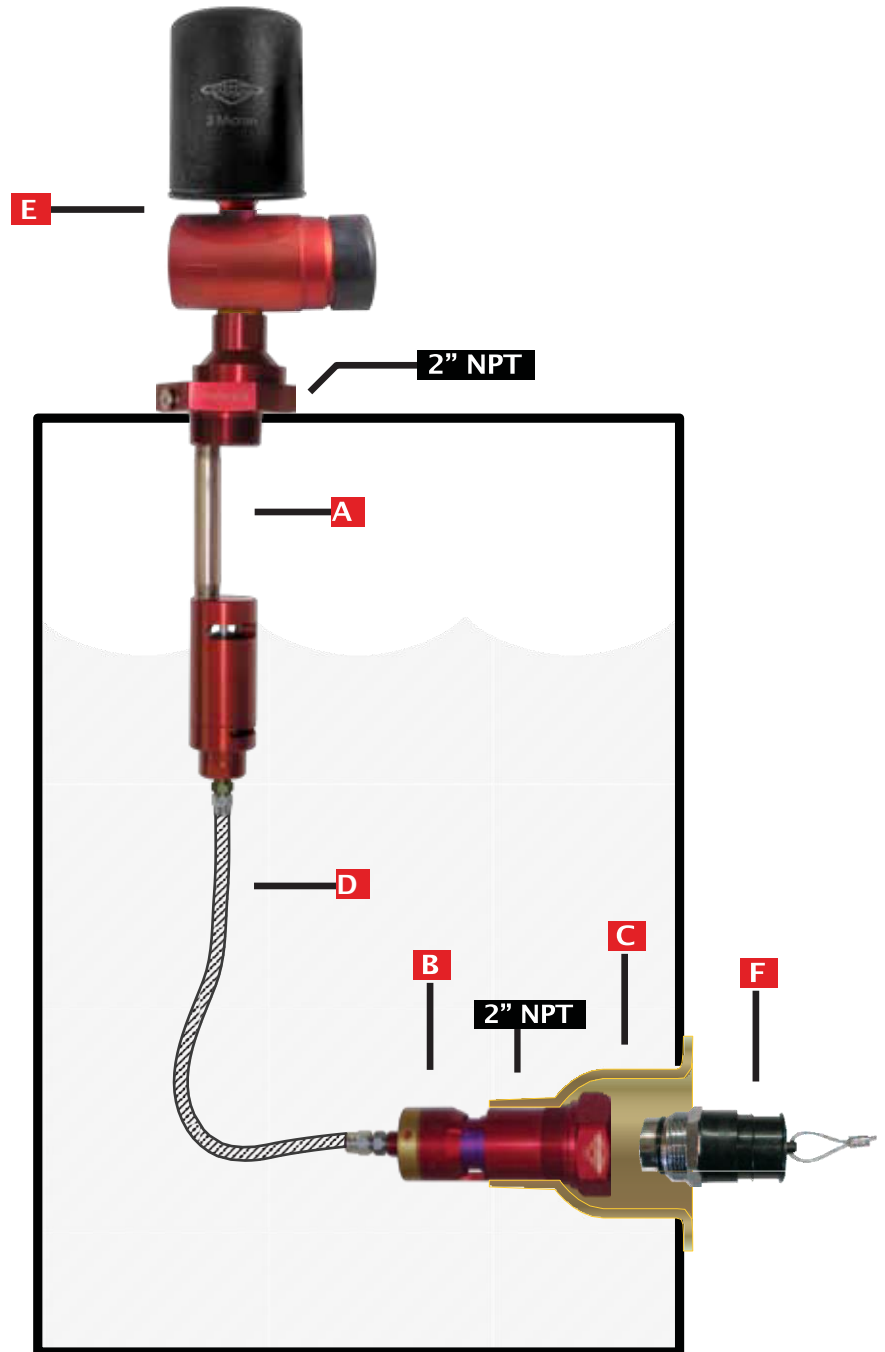
10' Stainless Steel Signal Line w/ #6 JIC Female ends

E 1 FFV150-PL

3 micron Filter Vent Assy for Pressureless

F 1 R150CVRc-J

2pc Steel Fuel Receiver w/Cap and Green Poppet



EXTERNAL SIGNAL LINE FOR BELL HOUSING

System includes:

A 1 PLA150-M VLCE

Vent/Level Control Assembly for Internal or External Signal Line

B 1 PLA150-M SVEBH

Bolt-On Bell Housing Replacement w/Shutoff Valve Assy w/External Signal Line Connection (Includes 2 Pc Receiver)

C 1 FF6C

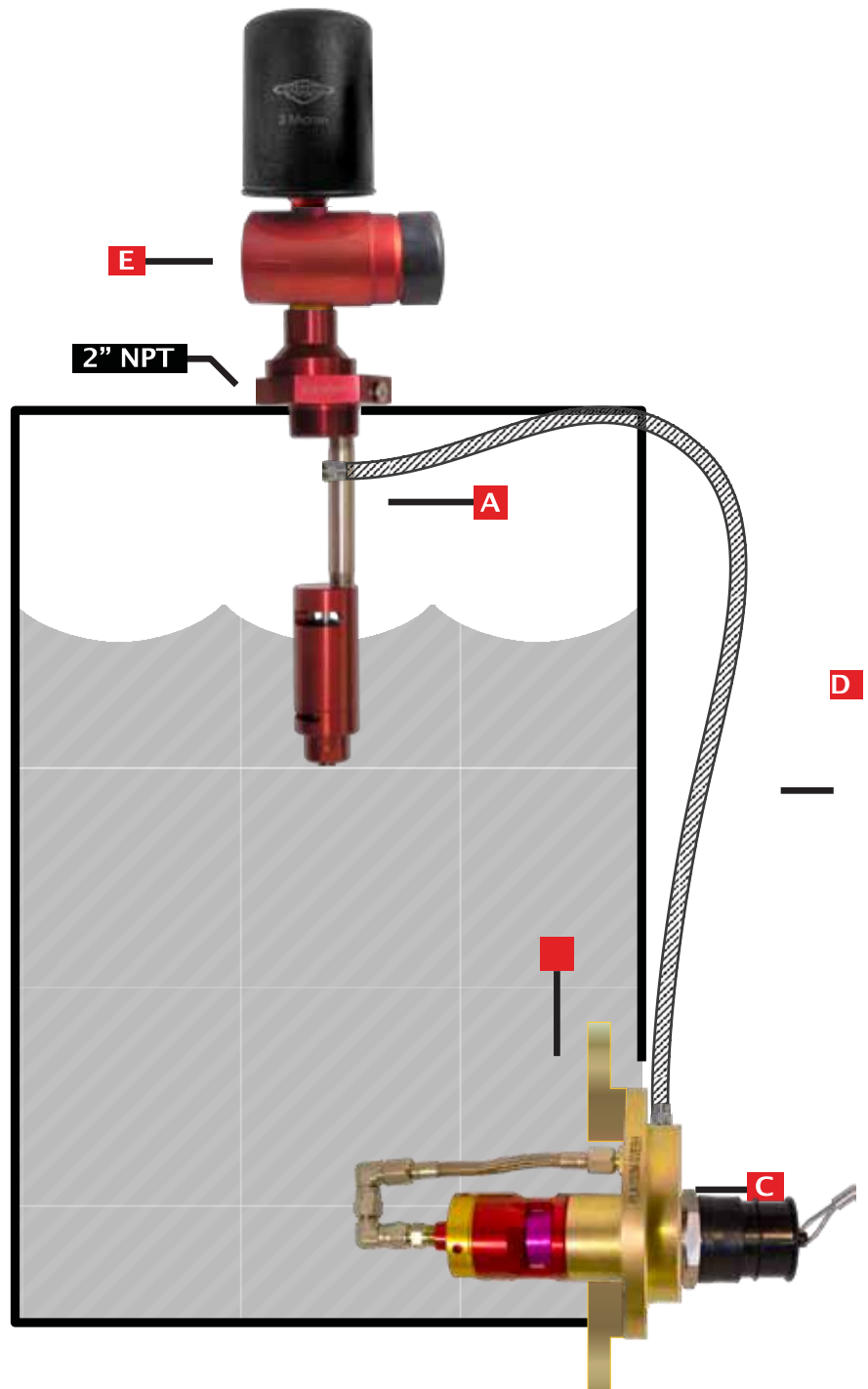
Weld-On Adapter for Bolt-On Bell Housing Bolt Pattern

D 1 pl-p-6

10' Stainless Steel Signal Line w/ #6 JIC Female ends

E 1 FFV150-PL

3 micron Filter Vent Assy for Pressureless



WORKS WITH BUT NOT LIMITED TO

330, 345, 365, 385 Excavators, 730, 740B CAT® AD Trucks, 980H, 988H, 990H, and 994F Loaders

System includes:

A 1 PLA150-M VLCE

Vent/Level Control Assembly for Internal or External Signal Line

B 1 PLA150-M SVF

6 Bolt Flange w/ Pressureless Shutoff Valve Assy w/ Ext./Int. Signal Line Connections Includes 2 Pc Receiver

C 1 PLA150-M VF

6 Bolt CAT® Vent Flange for 2" NPT (Replaces CAT® # 221-5303)

D 1 pl-p-6

10' Stainless Steel Signal Line w/ #6 JIC Female ends

E 1 FFV150-PL

3 micron Filter Vent Assy for Pressureless

