



HOSE & FITTINGS

CENTRALISED LUBRICATION SYSTEMS

www.silverieng.com
sales@silverieng.com
1300 766 413

65 Chelmsford Street Williamstown North Vic. 3016



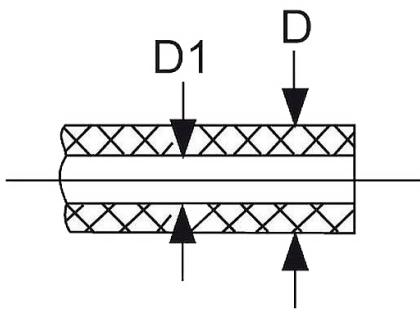
INDEX

SECTION	PAGE
HIGH PRESSURE HOSE, HOSE ENDS, & CONNECTORS	3-6
MEDIUM PRESSURE HOSE, FITTINGS, & CONNECTORS	7-10
STEEL TUBE FITTINGS, & CONNECTORS	11-14
LUBE POINT EXTENSIONS	15
45° & 90° ELBOW ADAPTERS, METRIC, & NPT	16-17
SWIVELS & BANJO FITTINGS, METRIC & NPT	18-19
FILL FITTINGGS – METRIC/NPTF	20
ZERK (MANUAL LUBE) BARS	21
GREASE (ZERK) FITTINGS & CLOSURE PLUGS	22

HIGH PRESSURE HOSE, HOSE ENDS, & CONNECTORS

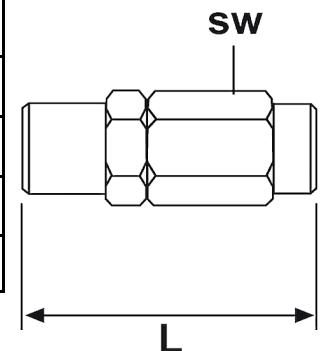
HIGH PRESSURE HOSE

HIGH PRESSURE HOSE DESCRIPTION	PSI/BAR	D	D1	PART NUMBER
HIGH PRESSURE HOSE FILLED WITH NLGI 2 GREASE , 50 M COIL	12,183/840	8.6MM	4.0MM	100-001
HIGH PRESSURE HOSE, EMPTY , 50 M COIL	12,183/840	8.6MM	4.0M	100-002
HIGH-PRESSURE HOSE FILLED WITH	12,183/840	11.3MM	6.3M	100-011
HIGH-PRESSURE HOSE, EMPTY, 100 M COIL	12,183/840	11.3MM	6.3M	100-012
HIGH-PRESSURE HOSE FILLED WITH NLGI 2 GREASE , 100 M COIL	12,183 / 840	5/16IN	1/8IN	4010-101
HIGH-PRESSURE HOSE, EMPTY, 100	12,183 / 840	5/16IN	1/8IN	4010-100



HIGH PRESSURE SCREW SLEEVES

SCREW SLEEVE DESCRIPTION	FIG.	HOSE ID X OD	L	SW	PART NUMBER
STEEL THREADED HOSE SLEEVE	1	4,1 x 8,75	28MM	12MM	100-050
STEEL THREADED HOSE SLEEVE	1	1/8 X 5/16	26MM	12MM	100-050-1
THREADED HOSE SLEEVE, BLACK ZINC	1	4,1 x 8,75	28MM	12MM	100-050-SW
SS THREADED HOSE SLEEVE	1	4,1 x 8,75	28MM	12MM	100-050-VA
STEEL THREADED HOSE SLEEVE	1	6.35 X 11.3	35.8MM	17MM	100-060
SS THREADED HOSE SLEEVE	1	6.35 X 11.3	35.8MM	17MM	100-060-VA
SS THREADED HOSE SLEEVE	1	1/8 X 5/16	26MM	1/2IN	3010-001



HIGH PRESSURE STRAIGHT HOSE STUDS

STRAIGHT HOSE STUD DESCRIPTION	FIG.	HOSE ID X OD	G	D	L	SW	SW 1	PART NUMBER
STEEL HOSE STUD STRAIGHT	1	4,1 x 8,75	N/A	6MM	30MM	10MM	N/A	100-051
STEEL HOSE STUD STRAIGHT	4	1/8 X 5/16	1/8 NPT	1/8IN	N/A	7/16IN	N/A	100-051-1
STEEL HOSE STUD STRAIGHT	1	4,1 x 8,75	N/A	8MM	30MM	10MM	N/A	100-051-8
STEEL HOSE STUD STRAIGHT, PUSH LOCK	2	4,1 x 8,75	N/A	6MM	20MM	10MM	N/A	100-051-NUT
SS HOSE STUD STRAIGHT	1	4,1 x 8,75	N/A	6MM	30MM	10MM	N/A	100-051-VA
STEEL HOSE STUD STRAIGHT	1	4,1 x 8,75	N/A	6MM	20MM	10MM	N/A	100-054
STEEL HOSE STUD STRAIGHT, PUSH LOCK	1	4,1 x 8,75	N/A	6MM	20MM	10MM	N/A	100-054-NUT
STEEL HOSE STUD STRAIGHT, PUSH LOCK, BLACK	2	4,1 x 8,75	N/A	6MM	21.5MM	10MM	N/A	100-054-NUT-SW
STEEL HOSE STUD STRAIGHT	1	4,1 x 8,75	N/A	6MM	24MM	10MM	N/A	100-055
STEEL HOSE STUD STRAIGHT, HOSE UNION	3	4,1 x 8,75	N/A	N/A	56MM	10MM	N/A	100-061
STEEL HOSE STUD STRAIGHT	1	6.35 X 11.3	N/A	6MM	20MM	12MM	N/A	100-064
STEEL HOSE STUD STRAIGHT, PUSH LOCK	1	6.35 X 11.3	N/A	6MM	20MM	12MM	N/A	100-064-NUT
SS HOSE STUD STRAIGHT	1	6.35 X 11.3	N/A	6MM	20MM	12MM	N/A	100-064-VA
STEEL HOSE STUD STRAIGHT	1	6.35 X 11.3	N/A	8MM	20MM	12MM	N/A	100-074
SS HOSE STUD STRAIGHT	1	6.35 X 11.3	N/A	8MM	20MM	12MM	N/A	100-074-VA
STEEL HOSE STUD STRAIGHT	1	6.35 X 11.3	N/A	10MM	30MM	12MM	N/A	100-081
STEEL HOSE STUD STRAIGHT	1	4,1 x 8,75	N/A	6MM	65.5MM	10MM	N/A	100-091
STEEL HOSE STUD STRAIGHT (NON SWIVEL)	5	4,1 x 8,75	M10 x 1	6LL	N/A	11MM	N/A	3510-101
STEEL HOSE STUD STRAIGHT	1	4,1 x 8,75	N/A	1/4IN	30MM	11MM	N/A	3510-110
STEEL HOSE STUD STRAIGHT, PUSH LOCK	2	4,1 x 8,75	N/A	1/4IN	30MM	11MM	N/A	3510-111
STEEL HOSE STUD STRAIGHT, PUSH LOCK	2	1/8 X 5/16	N/A	1/4IN	1/18IN	7/16IN	N/A	3510-112
STEEL HOSE STUD STRAIGHT	1	4,1 x 8,75	N/A	3/16IN	20MM	10MM	N/A	3510-113
HOSE STUD, STRAIGHT, STEEL, #4 JIC SWIVEL	6	4,1 x 8,75	#4 JIC	N/A	N/A	14MM	14MM	3510-114

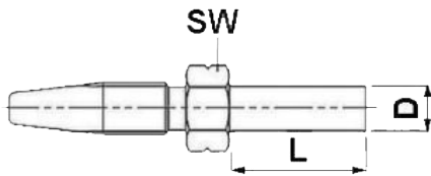


FIG 1

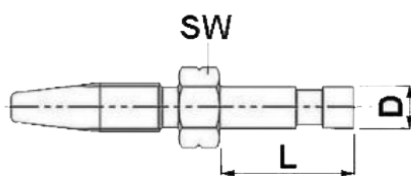


FIG 2

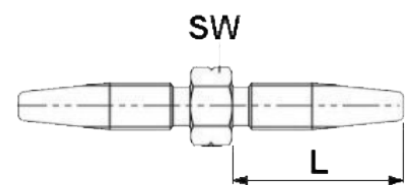


FIG 3

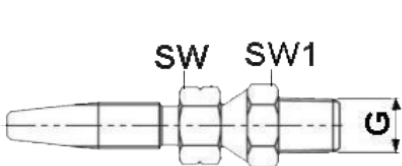


FIG 4

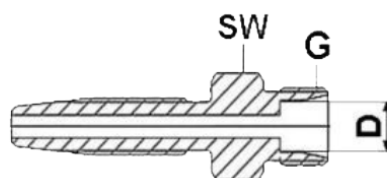


FIG 5

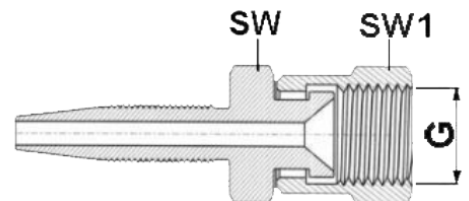


FIG 6

HIGH PRESSURE 90° HOSE STUDS

90° HOSE STUD DESCRIPTION	FIG.	HOSE ID X OD	D	H	L	SW	SW1	PART NUMBER
STEEL HOSE STUD 90°	1	4,1 x 8,75	6MM	13MM	21MM	10MM	N/A	100-052
STEEL HOSE STUD 90°	1	4,1 x 8,75	6MM	28MM	37MM	10MM	N/A	100-053
STEEL HOSE STUD 90°, PUSH LOCK	2	4,1 x 8,75	6MM	28MM	37MM	10MM	N/A	100-053-NUT
STEEL HOSE STUD 90°, PUSH LOCK, BLACK	2	4,1 x 8,75	6MM	28MM	37MM	10MM	N/A	100-053-NUT-SW
SS HOSE STUD 90°	2	4,1 x 8,75	6MM	28MM	37MM	10MM	N/A	100-053-NUT-VA
SS HOSE STUD 90°	1	4,1 x 8,75	6MM	28MM	37MM	10MM	N/A	100-053-VA
STEEL HOSE STUD 90°	1	4,1 x 8,75	6MM	28MM	53MM	10MM	N/A	100-056
STEEL HOSE STUD 90°, PUSH LOCK	2	4,1 x 8,75	6MM	28MM	53MM	10MM	N/A	100-056-NUT
STEEL HOSE STUD 90°	1	4,1 x 8,75	6MM	14MM	33MM	10MM	N/A	100-059
STEEL HOSE STUD 90°	1	4,1 x 8,75	4MM	14MM	30MM	10MM	N/A	100-059-4
STEEL HOSE STUD 90°	1	4,1 x 8,75	6MM	17MM	28MM	10MM	N/A	100-062
STEEL HOSE STUD 90°	1	6.35 X 11.3	6MM	22MM	45MM	12MM	N/A	100-063
STEEL HOSE STUD 90°	1	6.35 X 11.3	8MM	23MM	36MM	12MM	N/A	100-073
SS HOSE STUD 90°	1	6.35 X 11.3	8MM	23MM	26MM	12MM	N/A	100-073-VA
STEEL HOSE STUD 90°	1	6.35 X 11.3	8MM	23MM	55MM	12MM	N/A	100-076
STEEL HOSE STUD 90°	1	6.35 X 11.3	10MM	23MM	36MM	12MM	N/A	100-083
STEEL HOSE STUD 90°	2	1/8 X 5/16	1/4IN	1.06IN	1.18IN	7/16IN	N/A	3510-112
STEEL HOSE STUD 90°	1	4,1 x 8,75	3/16IN	14MM	32MM	10MM	N/A	3511-113
STEEL HOSE STUD 90°	1	4,1 x 8,75	1/4IN	28MM	37MM	11MM	N/A	3511-110
STEEL HOSE STUD 90°, PUSH LOCK	2	4,1 x 8,75	1/4IN	28MM	37MM	11MM	N/A	3511-111
STEEL HOSE STUD 90°, #JIC SWIVEL	4	4,1 x 8,75	N/A	20.7MM	25.7MM	14MM	14MM	3511-114
SS HOSE STUD 90°	1	6.35 X 11.3	6MM	22MM	45MM	12MM	N/A	3511-210
SS HOSE STUD 90°	1	6.35 X 11.3	10MM	23MM	36MM	12MM	N/A	3511-212

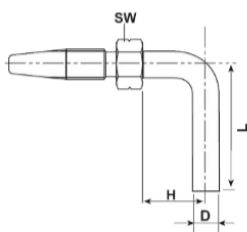


FIG 1

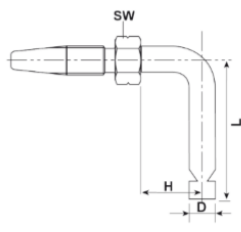


FIG 2

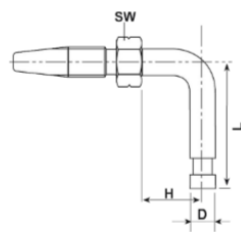


FIG 3

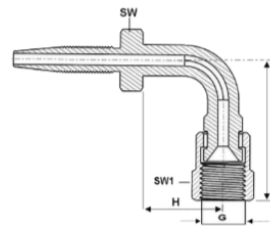


FIG 4

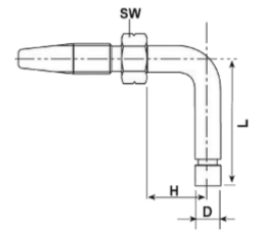


FIG 5

HIGH PRESSURE 45° HOSE STUDS

45° HOSE STUD DESCRIPTION	FIG.	HOSE ID X OD	D	H	L	SW	PART NUMBER
STEEL HOSE STUD 45°	1	4,1 x 8,75	6MM	24MM	15MM	10MM	100-057
STEEL HOSE STUD 45°, PUSH LOCK	2	4,1 x 8,75	6MM	24MM	15MM	10MM	100-057-NUT
STEEL HOSE STUD 45°	1	4,1 x 8,75	6MM	24MM	25MM	10MM	100-058
STEEL HOSE STUD 45°, PUSH LOCK	2	4,1 x 8,75	6MM	35MM	25MM	10MM	100-058-NUT
STEEL HOSE STUD 45°, PUSH LOCK, BLACK	2	4,1 x 8,75	6MM	35MM	25MM	10MM	100-058-NUT-SW
SS HOSE STUD 45°	2	4,1 x 8,75	6MM	35MM	25MM	10MM	100-058-VA
STEEL HOSE STUD 45°	1	6.35 X 11.3	6MM	35MM	25MM	12MM	100-068
STEEL HOSE STUD 45°	1	6.35 X 11.3	8MM	35MM	25MM	12MM	100-078
STEEL HOSE STUD 45°	1	4,1 x 8,75	1/4IN	35MM	25MM	11MM	3512-110
STEEL HOSE STUD 45°, PUSH LOCK	2	4,1 x 8,75	1/4IN	35MM	25MM	11MM	3512-111

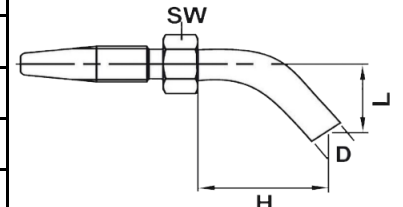


FIG 1

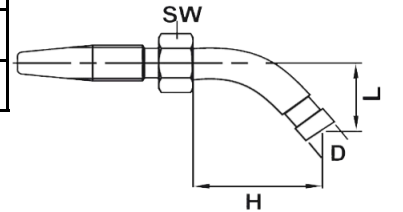
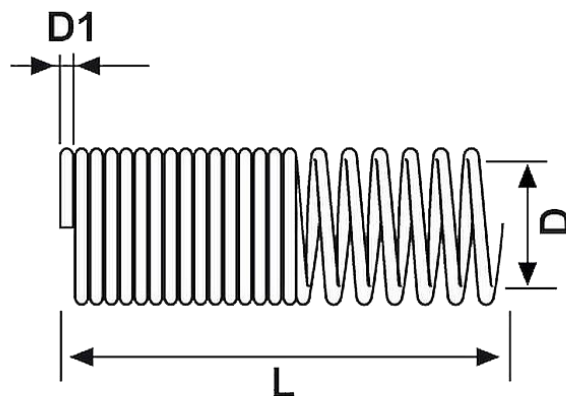


FIG 2

STAINLESS STEEL SPRING COILS FOR SHIELDING HIGH PRESSURE HOSE

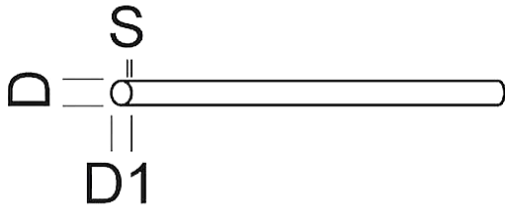
SPRING COIL DESCRIPTION	L	D	D1	PART NUMBER
SS SPRING COIL (SHORT)	200MM	10.6MM	1.2MM	100-045-VA
SS SPRING COIL (LONG)	2000MM	10.6MM	1.2MM	100-046-VA
SS SPRING COIL (LONG)	5000MM	10.6MM	1.2MM	100-047-VA



MEDIUM PRESSURE HOSE, FITTINGS, & CONNECTORS

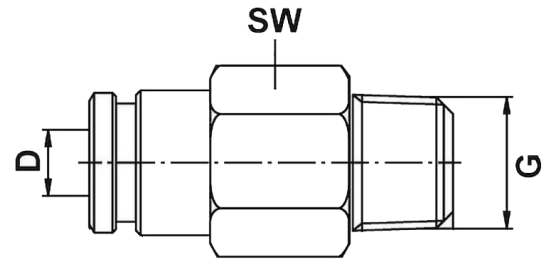
MEDIUM PRESSURE PLASTIC HOSE

PLASTIC TUBE DESCRIPTION	PSI/BAR	D	D1	S	PART NUMBER
PLASTIC TUBE SEMI-RIGID, 4X.85, 50M COIL (BLACK)	1,044/72	4MM	2.3MM	.85MM	100-010
PLASTIC TUBE SEMI-RIGID, 6X1.5, 100M COIL (BLACK)	1,044/72	6MM	3.0MM	.85MM	100-003
PLASTIC TUBE SEMI-RIGID, 4X.85 50M COIL (BLACK)	1,291/89	4MM	2.3MM	.85MM	100-006
PLASTIC TUBE SEMI-RIGID, 4X.85 50M COIL (CLEAR)	1,291/89	4MM	2.3MM	.85MM	100-006-T
PLASTIC TUBE SEMI-RIGID, 6X1.5, 25M COIL (BLACK)	1,291/89	6MM	3.0MM	1.5MM	100-003-25
HIGH-PRESSURE HOSE FILLED WITH NLGI 2 GREASE , 25 M COIL	1,291/89	6MM	3.0MM	1.5MM	100-009-25



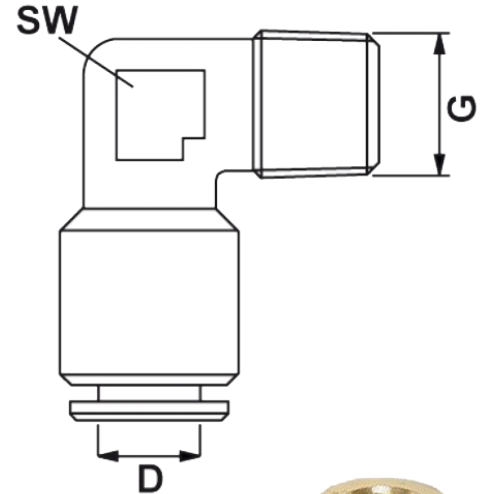
PUSH-IN STRAIGHT THREADED CONNECTORS FOR MEDIUM PRESSURE HOSE

PUSH-IN STRAIGHT CONNECTOR DESCRIPTION	G	D	SW	PART NUMBER
BRASS PLATED PUSH-IN - STRAIGHT CONNECTORS	6X1	4MM	10MM	104-051
BRASS PLATED PUSH-IN - STRAIGHT CONNECTORS	8X1	4MM	10MM	104-052
BRASS PLATED PUSH-IN - STRAIGHT CONNECTORS	10X1	4MM	11MM	104-053
BRASS PLATED PUSH-IN - STRAIGHT CONNECTORS	1/8 BSP	4MM	10MM	104-054
BRASS PLATED PUSH-IN - STRAIGHT CONNECTORS	1/8 NPT	4MM	11MM	104-054-NPT
BRASS PLATED PUSH-IN - STRAIGHT CONNECTORS	1/4-28 UNF	4MM	11MM	104-055-UNF
BRASS PLATED PUSH-IN - STRAIGHT CONNECTORS	6X1	4MM	12MM	106-051
BRASS PLATED PUSH-IN - STRAIGHT CONNECTORS	8X1	6MM	12MM	106-052
BRASS PLATED PUSH-IN - STRAIGHT CONNECTORS	10X1	6MM	12MM	106-053
BRASS PLATED PUSH-IN - STRAIGHT CONNECTORS	1/8 BSP	6MM	12MM	106-054
BRASS PLATED PUSH-IN - STRAIGHT CONNECTORS	1/8 NPT	6MM	12MM	106-054-NPT
BRASS PLATED PUSH-IN - STRAIGHT CONNECTORS	1/4-28 UNF	6MM	12MM	106-055-UNF
BRASS PLATED PUSH-IN - STRAIGHT CONNECTORS	1/4-28 UNF	1/4IN	12MM	2010-101
BRASS PLATED PUSH-IN - STRAIGHT CONNECTORS	1/8 NPT	1/4IN	12MM	2010-102



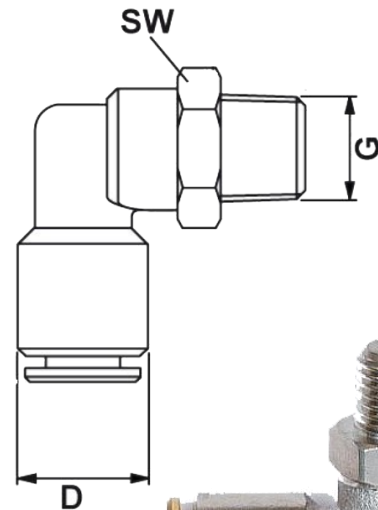
PUSH-IN THREADED ELBOW CONNECTORS FOR MEDIUM PRESSURE HOSE

PUSH-IN ELBOW CONNECTOR DESCRIPTION	G	D	SW	PART NUMBER
BRASS PLATED PUSH-IN ELBOW-CONNECTORS	6X1	4MM	10MM	104-151
BRASS PLATED PUSH-IN ELBOW-CONNECTORS	8X1	4MM	10MM	104-152
BRASS PLATED PUSH-IN ELBOW-CONNECTORS	10X1	4MM	10MM	104-153
BRASS PLATED PUSH-IN ELBOW-CONNECTORS	1/8 BSP	4MM	10MM	104-154
BRASS PLATED PUSH-IN ELBOW-CONNECTORS	1/8 NPT	4MM	10MM	104-154-NPT
BRASS PLATED PUSH-IN ELBOW-CONNECTORS	1/4-28 UNF	4MM	10MM	104-155-UNF
BRASS PLATED PUSH-IN ELBOW-CONNECTORS	6X1	6MM	10MM	106-151
BRASS PLATED PUSH-IN ELBOW-CONNECTORS	8X1	6MM	10MM	106-152
BRASS PLATED PUSH-IN ELBOW-CONNECTORS	10X1	6MM	10MM	106-153
BRASS PLATED PUSH-IN ELBOW-CONNECTORS	1/8 BSP	6MM	10MM	106-154
BRASS PLATED PUSH-IN ELBOW-CONNECTORS	1/8 NPT	6MM	10MM	106-154-NPT
BRASS PLATED PUSH-IN ELBOW-CONNECTORS	1/4-28 UNF	6MM	10MM	106-155-UNF
BRASS PLATED PUSH-IN ELBOW-CONNECTORS	1/4-28 UNF	1/4IN	10MM	2011-101
BRASS PLATED PUSH-IN ELBOW-CONNECTORS	1/8 NPT	1/4IN	10MM	2011-102



PUSH-IN-90° THREADED SWIVELS FOR MEDIUM PRESSURE HOSE

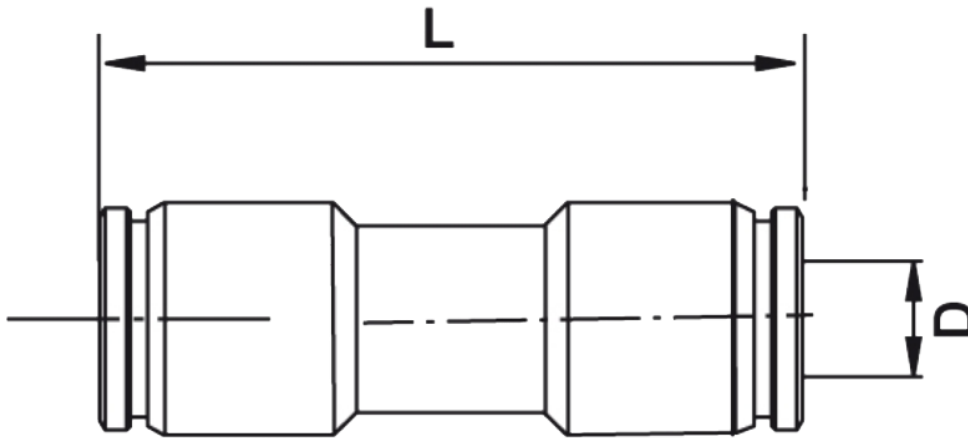
PUSH-IN-90° SWIVEL DESCRIPTION	G	D	SW	PART NUMBER
BRASS PLATED PUSH-IN-90° SWIVELS	6X1	4MM	13MM	104-111
BRASS PLATED PUSH-IN-90° SWIVELS	8X1	4MM	13MM	104-112
BRASS PLATED PUSH-IN-90° SWIVELS	10X1	4MM	13MM	104-113
BRASS PLATED PUSH-IN-90° SWIVELS	1/8 BSP	4MM	13MM	104-114
BRASS PLATED PUSH-IN-90° SWIVELS	1/8 NPT	4MM	13MM	104-114-NPT
BRASS PLATED PUSH-IN-90° SWIVELS, FREELY MOVABLE	1/4-28 UNF	4MM	13MM	104-115-UNF
BRASS PLATED PUSH-IN-90° SWIVELS, FREELY MOVABLE	6X1	6MM	13MM	106-111
BRASS PLATED PUSH-IN-90° SWIVELS, FREELY MOVABLE	8X1	6MM	13MM	106-112
BRASS PLATED PUSH-IN-90° SWIVELS, FREELY MOVABLE	10X1	6MM	13MM	106-113
BRASS PLATED PUSH-IN-90° SWIVELS, FREELY MOVABLE	1/8 BSP	6MM	13MM	106-114
BRASS PLATED PUSH-IN-90° SWIVELS, FREELY MOVABLE	1/8 NPT	6MM	13MM	106-114-NPT
BRASS PLATED PUSH-IN-90° SWIVELS, FREELY MOVABLE	1/4-28 UNF	6MM	13MM	106-115-UNF
BRASS PLATED PUSH-IN-90° SWIVELS, FREELY MOVABLE	1/8 NPT	1/4IN	13MM	2012-102
BRASS PLATED PUSH-IN-90° SWIVELS, FREELY MOVABLE	1/4-28 UNF	1/4IN	13MM	2012-101



*OPERATING PRESSURE OF ALL PUSH-IN FITTING IS 1160 PSI / 80 BAR

PUSH-IN TUBING CONNECTORS FOR MEDIUM PRESSURE HOSE

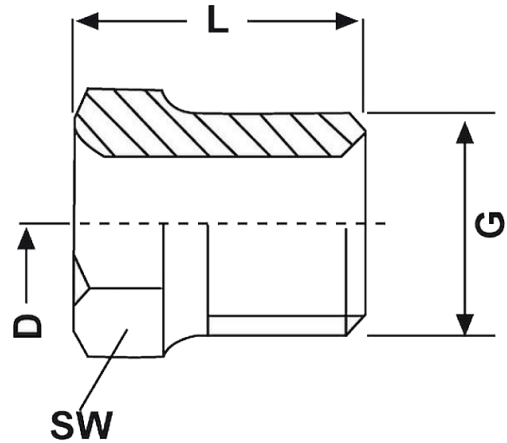
PUSH-IN CONNECTOR DESCRIPTION	D	L	PART NUMBER
BRASS PLATED PUSH-IN CONNECTORS	4MM	30MM	104-110
BRASS PLATED PUSH-IN CONNECTORS	6MM	33.5MM	106-110
BRASS PLATED PUSH-IN CONNECTORS	1/4IN	35.5MM	2013-100



*OPERATING PRESSURE OF ALL PUSH-IN FITTING IS 1160 PSI / 80 BAR

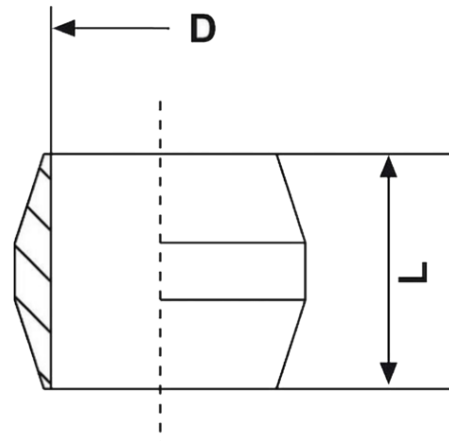
SOCKET UNION FOR DOUBLE CONE FERRULES (DRIVES) FOR PLASTIC TUBE

SOCKET UNION FOR DOUBLE CONE DRIVE DESCRIPTION	G	D	L	SW	PART NUMBER
STEEL SOCKET UNION FOR DOUBLE CONE	8X1	4MM	12MM	8MM	104-205
STEEL SOCKET UNION FOR DOUBLE CONE	10X1	6MM	14MM	10MM	106-205



DOUBLE CONE FERRULES (DRIVES) FOR PLASTIC TUBE

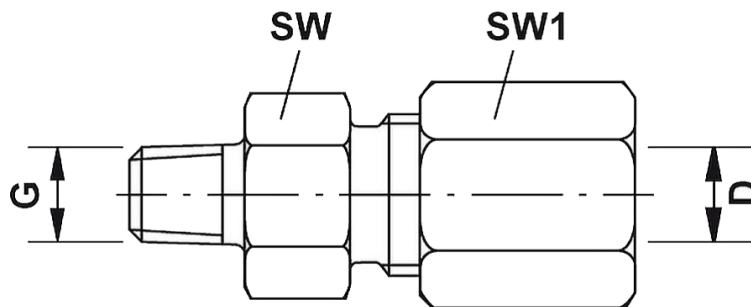
DOUBLE CONE DRIVE DESCRIPTION	D	L	PART NUMBER
BRASS DOUBLE CONE DRIVE	4MM	5.5MM	104-215
BRASS DOUBLE CONE DRIVE	6MM	7MM	106-215
SS M10 X 1.0 PLUG	4MM	7MM	1202-400
SS TUBE NUT	6MM	7MM	FL316-401-6
M10 X 1.0 CONNECTOR	6MM	7MM	1202-401-6
SS M10 X 1.0 CONNECTOR	4MM	7MM	1202-401-4MK
SS M10 X 1.0 CONNECTOR	6MM	7MM	1202-401-6MK



STEEL TUBE FITTINGS & CONNECTORS

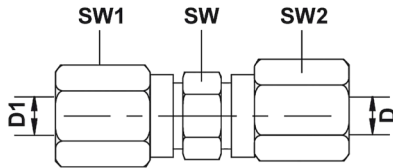
STRAIGHT SCREW COUPLINGS FOR STEEL TUBE

STRAIGHT SCREW COUPLING DESCRIPTION	G	D	SW	SW1	PART NUMBER
STEEL STRAIGHT SCREW COUPLING	6X1	4MM	9MM	10MM	104-001
STEEL STRAIGHT SCREW COUPLING	10X1	4MM	9MM	10MM	104-002
STEEL STRAIGHT SCREW COUPLING	10X1	4MM	11MM	10MM	104-003
STEEL STRAIGHT SCREW COUPLING	6X1	6MM	11MM	12MM	106-001
SS STRAIGHT SCREW COUPLING	6X1	6MM	11MM	12MM	106-001-VA
STEEL STRAIGHT SCREW COUPLING	8X1	6MM	11MM	12MM	106-002
SS STRAIGHT SCREW COUPLING	8X1	6MM	11MM	12MM	106-002-VA
STEEL STRAIGHT SCREW COUPLING	10X1	6MM	11MM	12MM	106-003
SS STRAIGHT SCREW COUPLING	10X1	6MM	11MM	12MM	106-003-VA
STEEL STRAIGHT SCREW COUPLING	1/8 BSP	6MM	11MM	12MM	106-004
SS STRAIGHT SCREW COUPLING	1/8 BSP	6MM	11MM	12MM	106-004-VA
STEEL STRAIGHT SCREW COUPLING	1/8 NPT	6MM	11MM	12MM	106-004-NPT
STEEL STRAIGHT SCREW COUPLING	1/4 BSP	6MM	19MM	14MM	106-005-L
STEEL STRAIGHT SCREW COUPLING	10X1	8MM	14MM	14MM	108-003
SS STRAIGHT SCREW COUPLING	10X1	8MM	17MM	17MM	108-003-VA-L
STEEL MALE CONNECTOR, STRAIGHT COUPLING	1/8 BSP	8MM	19MM	14MM	108-004-L
STEEL STRAIGHT SCREW COUPLING	1/4 BSP	8MM	19MM	17MM	108-005-L



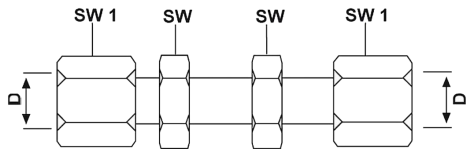
STRAIGHT CONNECTORS FOR STEEL TUBE

STRAIGHT CONNECTOR DESCRIPTION	D	D1	SW	SW1	SW2	PART NUMBER
STEEL CONNECTOR STRAIGHT	4MM	4MM	11MM	10MM	12MM	104-000-6
SS CONNECTOR STRAIGHT	4MM	4MM	9MM	10MM	10MM	104-000-VA
STEEL CONNECTOR STRAIGHT	6MM	6MM	11MM	12MM	12MM	106-000
SS CONNECTOR STRAIGHT	6MM	6MM	10MM	11MM	12MM	106-000-VA



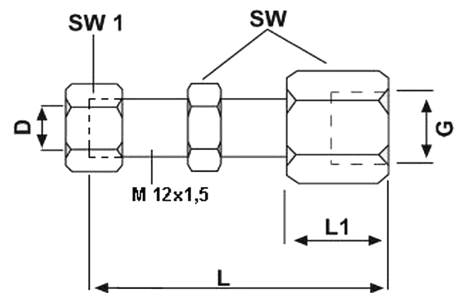
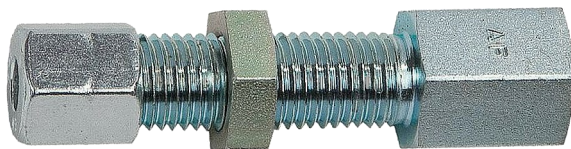
STRAIGHT BULKHEAD FOR STEEL TUBE

STRAIGHT BULKHEAD DESCRIPTION	D	SW	SW1	PART NUMBER
STEEL BULKHEAD STRAIGHT	6MM	17MM	14MM	106-221-L



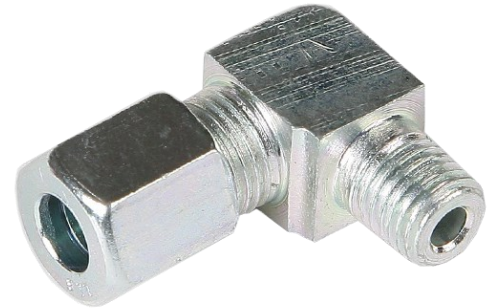
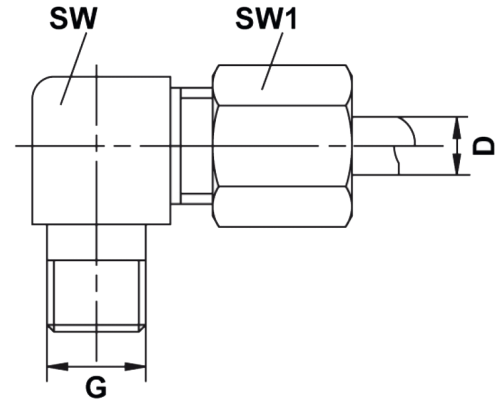
STRAIGHT BULKHEAD M 6x1 / M 10x1 FOR STEEL TUBE

STRAIGHT BULKHEAD DESCRIPTION	G	D	SW	SW1	L	L1	PART NUMBER
STEEL BULKHEAD STRAIGHT	10X1	6MM	17MM	14MM	60MM	20MM	106-243-L



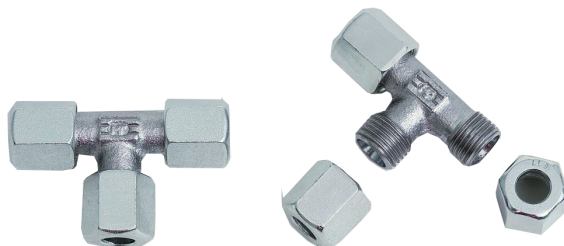
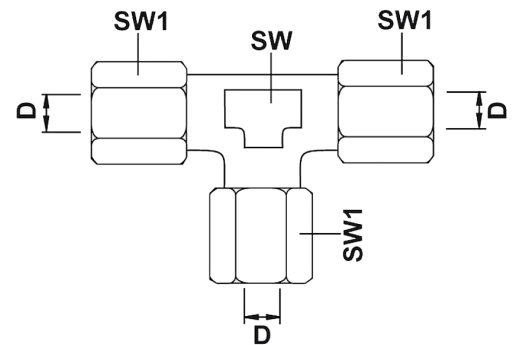
ELBOW SCREW FITTINGS FOR STEEL TUBE

ELBOW SCREW FITTING DESCRIPTION	G	D	SW	SW1	PART NUMBER
STEEL ELBOW SCREW FITTING COMPLETE	6X1	4MM	9MM	10MM	104-101
STEEL ELBOW SCREW FITTING COMPLETE	8X1	4MM	9MM	10MM	104-102
STEEL ELBOW SCREW FITTING COMPLETE	10X1	4MM	11MM	10MM	104-103
STEEL ELBOW SCREW FITTING COMPLETE	1/8 BSP	4MM	11MM	10MM	104-104
STEEL ELBOW SCREW FITTING COMPLETE	6X1	6MM	11MM	12MM	106-101
SS ELBOW SCREW FITTING COMPLETE	6X1	6MM	11MM	12MM	106-101-VA
STEEL ELBOW SCREW FITTING COMPLETE	8X1	6MM	11MM	12MM	106-102
SS ELBOW SCREW FITTING COMPLETE	8X1	6MM	11MM <td 12MM	106-102-VA	
STEEL ELBOW SCREW FITTING COMPLETE	10X1	6MM	11MM	12MM	106-103
SS ELBOW SCREW FITTING COMPLETE	10X1	6MM	11MM	12MM	106-103-VA
STEEL ELBOW SCREW FITTING COMPLETE	1/8 BSP	6MM	11MM	12MM	106-104
STEEL ELBOW SCREW FITTING COMPLETE	1/8 NPT	6MM	11MM	12MM	106-104-NPT
SS ELBOW SCREW FITTING COMPLETE	1/8 BSP	6MM	11MM	12MM	106-104-VA
STEEL ELBOW SCREW FITTING COMPLETE	1/4 BSP	6MM	12MM	14MM	106-105-L
STEEL ELBOW SCREW FITTING COMPLETE	10X1	8MM	12MM	14MM	108-103
STEEL ELBOW SCREW FITTING COMPLETE	1/4 BSP	8MM	12MM	17MM	108-105-L



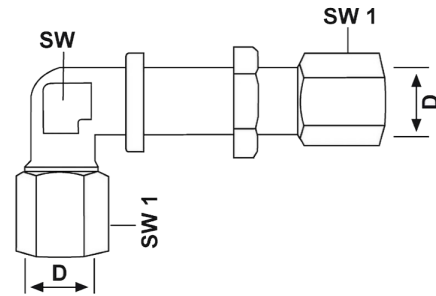
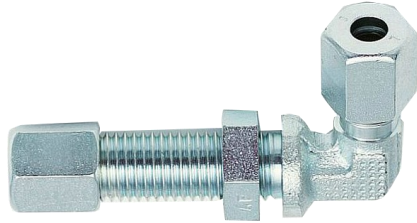
EQUAL TEE CONNECTORS FOR STEEL TUBE

EQUAL TEE CONNECTOR DESCRIPTION	D	SW	SW1	PART NUMBER
STEEL EQUAL TEE CONNECTOR	4MM	9MM	10MM	104-300
STEEL EQUAL TEE CONNECTOR	6MM	11MM	12MM	106-300
STEEL EQUAL TEE CONNECTOR	6MM	12MM	14MM	106-300-L
STEEL EQUAL TEE CONNECTOR	8MM	12MM	14MM	108-300
STEEL EQUAL TEE CONNECTOR	8MM	12MM	17MM	108-300-L



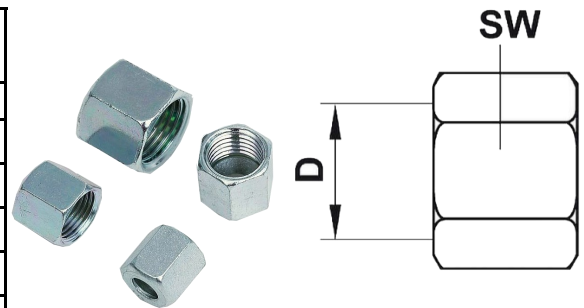
BULKHEAD ELBOW FOR STEEL TUBE

BULKHEAD ELBOW DESCRIPTION	D	SW	SW1	PART NUMBER
STEEL BULKHEAD ELBOW	6MM	12MM	14MM	106-231-L



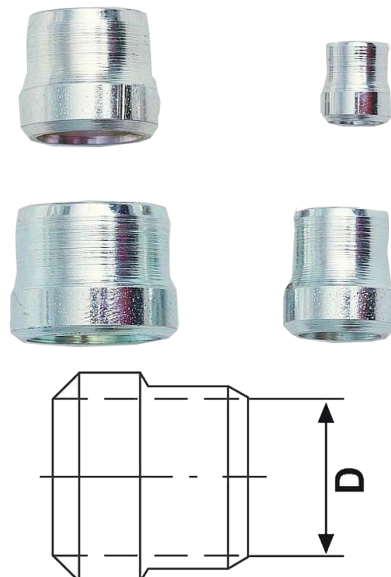
COUPLING NUTS FOR STEEL TUBE

EQUAL TEE CONNECTOR DESCRIPTION	D	SW	PART NUMBER
STEEL COUPLING NUT	6MM	17MM	106-200-S
STEEL COUPLING NUT	6MM	14MM	106-200-L
SS COUPLING NUT	6MM	12MM	106-200-VA
STEEL COUPLING NUT	8MM	14MM	108-200
STEEL COUPLING NUT	10MM	19MM	110-200-L
STEEL COUPLING NUT	4MM	10MM	104-200



CUTTING RINGS FOR STEEL TUBE

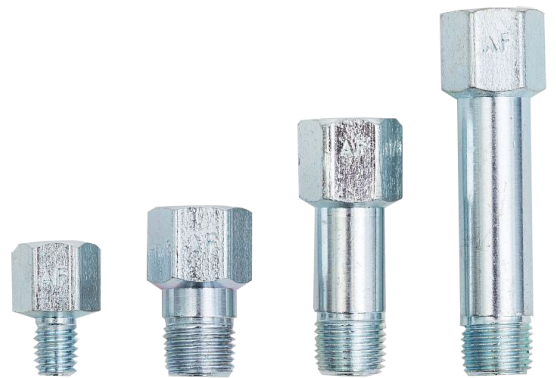
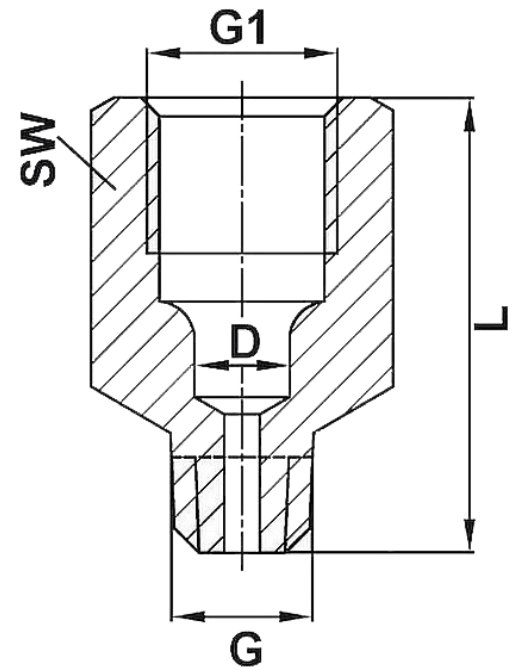
CUTTING RING DESCRIPTION	D	PART NUMBER
STEEL CUTTING RING	4MM	104-210
STEEL CUTTING RING,	6MM	106-210
STEEL CUTTING RING	10MM	106-210-L
BRASS CUTTING RING	6MM	106-210-MS
SS CUTTING RING	6MM	106-210-VA
STEEL CUTTING RING	8MM	108-210
STEEL CUTTING RING	10MM	110-210-L



LUBE POINT EXTENSIONS

EXTENSIONS

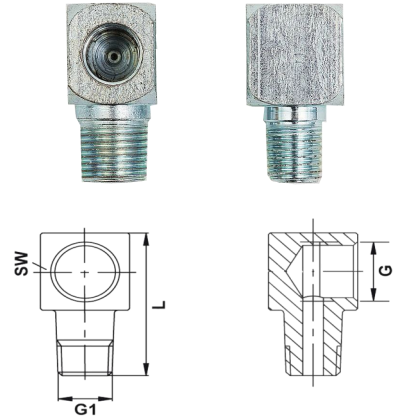
EXTENSION PIECE DESCRIPTION	G	G1	L	SW	PART NUMBER
STEEL EXTENSION PIECE - ADAPTER	(M) 6X1	(F) 8X1	19MM	11MM	100-120
STEEL EXTENSION PIECE - ADAPTER	(M) 8X1	(F) 8X1	18MM	11MM	100-130
STEEL EXTENSION PIECE - ADAPTER	(M) 8X1	(F) 8X1	32MM	11MM	100-132
STEEL EXTENSION PIECE - ADAPTER	(M) 8X1	(F) 8X1	62.5MM	11MM	100-135
STEEL EXTENSION PIECE - ADAPTER	(M) 8X1	(F) 10X1	23MM	13MM	100-137
STEEL EXTENSION PIECE - ADAPTER	(M) 10X1	(F) 8X1	18MM	11MM	100-140
STEEL EXTENSION PIECE - ADAPTER	(M) 10X1	(F) 10X1	23MM	13MM	100-141
SS ADAPTER	(M) 10X1	(F) 10X1	23MM	13MM	100-141-VA
STEEL EXTENSION PIECE - ADAPTER	(M) 10X1	(F) 10X1	18MM	13MM	100-142
STEEL EXTENSION PIECE - ADAPTER	(M) 10X1	(F) 10X1	40MM	13MM	100-143
STEEL EXTENSION PIECE - ADAPTER	(M) 1/8 BSP	(F) 10X1	20MM	17MM	100-144
STEEL EXTENSION PIECE - ADAPTER	(M) 10X1	(F) 10X1	35MM	13MM	100-145
STEEL EXTENSION PIECE - ADAPTER	(M) 10X1	(F) 10X1	50MM	13MM	100-146
STEEL EXTENSION PIECE - ADAPTER	(M) 1/4 BSP	(F) 1/8 BSP	20MM	17MM	100-147
STEEL ADAPTER, EXTENSION PIECE	(M) 1/8 BSP	(F) 1/8 BSP	23MM	13MM	100-148
SS ADAPTER	(M) 1/8 BSP	(F) 1/8 BSP	23MM	13MM	100-148-VA
STEEL ADAPTER, EXTENSION PIECE	(M) 1/8 BSP	(F) 1/8 BSP	35MM	13MM	100-149
STEEL ADAPTER, EXTENSION PIECE	(M) 1/8 BSP	(F) 10X1	18MM	13MM	100-151
STEEL ADAPTER, EXTENSION PIECE	(M) 1/8 BSP	(F) 1/8 BSP	18MM	13MM	100-152
STEEL ADAPTER, EXTENSION PIECE	(M) 1/8 BSP	(F) 1/8 BSP	50MM	13MM	100-153
STEEL ADAPTER, EXTENSION PIECE	(M) 1/8 BSP	(F) 1/4 BSP	22MM	17MM	100-162
STEEL ADAPTER, EXTENSION PIECE	(M) 10X1	(F) 1/4 BSP	22MM	17MM	100-171
SS ADAPTER	(M) 6X1	(F) 10X1	18MM	13MM	2510-201
SS ADAPTER	(M) 6X1	(F) 10X1	35MM	13MM	2510-202
SS ADAPTER	(M) 6X1	(F) 10X1	50MM	13MM	2510-203
SS ADAPTER	(M) 1/8 BSP	(F) 1/8 BSP	18MM	11MM	2510-204
SS ADAPTER	(M) 1/8 BSP	(F) 1/8 BSP	35MM	13MM	2510-205
SS ADAPTER	(M) 1/8 BSP	(F) 1/8 BSP	50MM	13MM	2510-206



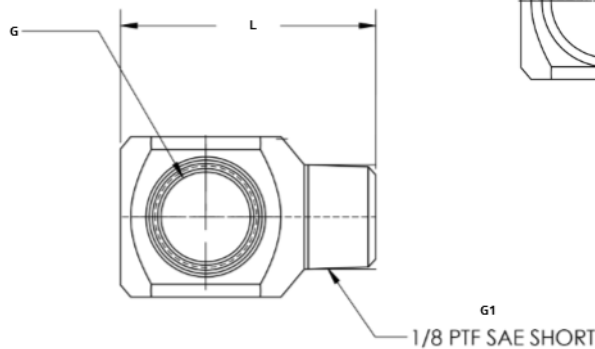
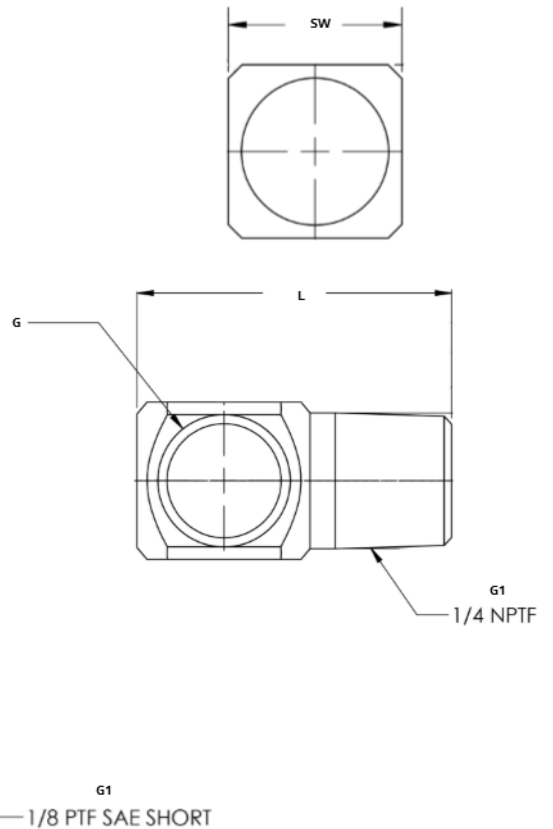
45° & 90° ELBOW ADAPTERS - METRIC/NPT

90° ELBOW ADAPTERS - METRIC

METRIC 90° ADAPTER DESCRIPTION	G	G1	L	SW	PART NUMBER
METRIC, STEEL ADAPTER 90°	(M) 8X1	(F) 8X1	23MM	12MM	100-722
METRIC, STEEL ADAPTER 90°	(M) 10X1	(F) 10X1	23MM	13MM	100-733
METRIC, STEEL ADAPTER 90°	(M) 1/8 BSP	(F) 1/8 BSP	23MM	13MM	100-744
METRIC, SS ADAPTER 90°	(M) 10X1	(F) 10X1	23MM	13MM	5011-201

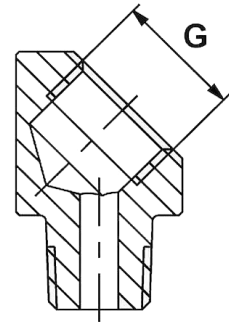
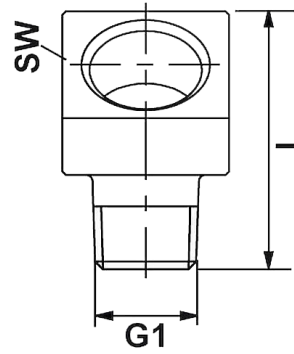


US 90° ADAPTER DESCRIPTION	G	G1	L	SW	PART NUMBER
US, 1/4 NPTF SS 303 ADAPTER 90°	(M) 1/4 NPSF	(F) 1/4 NPTF	1.25"	.625"	L590113-303
US, 1/4 NPTF SS 316 ADAPTER 90°	(M) 1/4 NPSF	(F) 1/4 NPTF	1.25"	.625"	L590113-316
US, 1/8 NPTF SS 303 ADAPTER 90°	(M) 1/8 NPSF	(F) 1/8 NPTF	1.00"	.625"	L590110-NPSF-303
US, 1/8 NPTF SS 316 ADAPTER 90°	(M) 1/8 NPSF	(F) 1/8 PTF SAE SHORT	1.00"	.625"	L590110-316



45° ELBOW ADAPTERS - METRIC

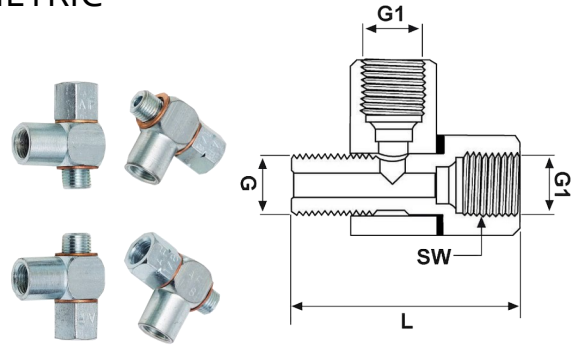
45° ADAPTER DESCRIPTION	G	G1	L	SW	PART NUMBER
STEEL ADAPTER 45°	(M) 8X1	(F) 8X1	23MM	13MM	100-822
STEEL ADAPTER 45°	(M) 10X1	(F) 10X1	23MM	13MM	100-833
STEEL ADAPTER 45°	(M) 1/8 BSP	(F) 1/8 BSP	23MM	13MM	100-844
SS ADAPTER 45°	(M) 10X1	(F) 10X1	23MM	13MM	5010-201



SWIVELS & BANJO FITTINGS - METRIC/NPT

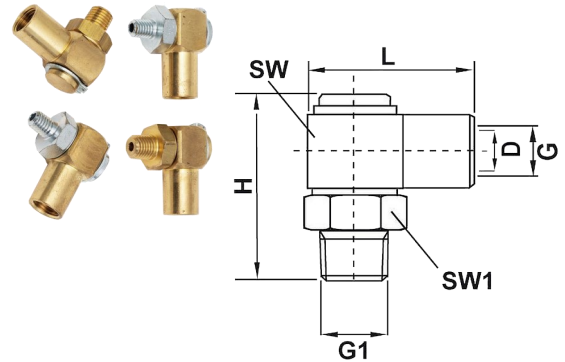
T-BANJO FITTINGS - METRIC

T-BANJO FITTING DESCRIPTION	G	G1	L	SW	PART NUMBER
ZINC PLATED STEEL T-BANJO SWIVEL FITTING	10X1	10X1	35MM	14MM	1100-323



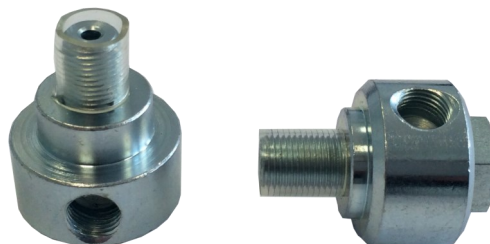
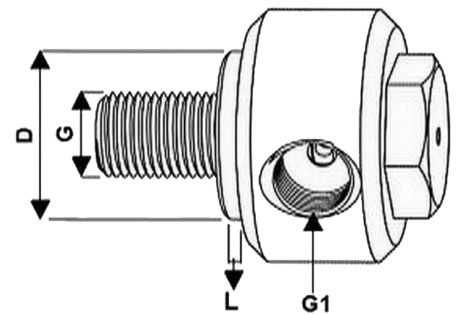
90° BANJO FITTINGS - METRIC

BANJO FITTING DESCRIPTION	G	G1	L	SW	SW1	D	H	PART NUMBER
BRASS BANJO FITTING FREELY MOVABLE 90°	(M) 8X1	(M) 8X1	26.5MM	15MM	14MM	4MM	30MM	106-172
BRASS BANJO FITTING FREELY MOVABLE 90°	(M) 8X1	(M) 10X1	26.5MM	15MM	14MM	4MM	30MM	106-173
BRASS BANJO FITTING FREELY MOVABLE 90°	(M) 8X1	1/8 BSP	29MM	15MM	14MM	6MM	30MM	106-174



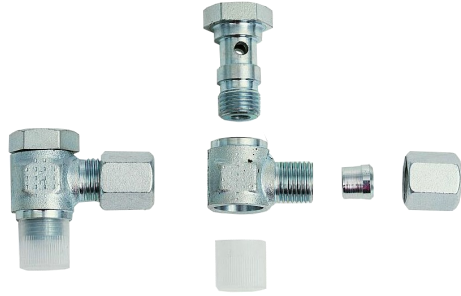
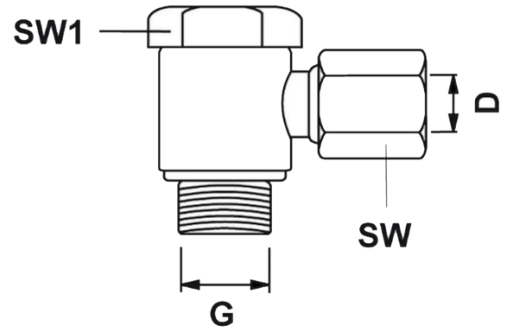
BANJOS FOR CONSTRUCTION VEHICLES - METRIC

BANJOS FOR CONSTRUCTION VEHICLES DESCRIPTION	G	G1	L	D	PART NUMBER
STEEL SWIVEL UNION 90°	10X1	10X1	3MM	20MM	1021-101
STEEL SWIVEL UNION 90°	10X1	10X1	8MM	20MM	1021-102
STEEL SWIVEL UNION 90°	1/8 BSP	1/8 BSP	3MM	20MM	1022-101
STEEL SWIVEL UNION 90°	1/8 BSP	1/8 BSP	8MM	20MM	1022-102



SWIVEL UNIONS - METRIC

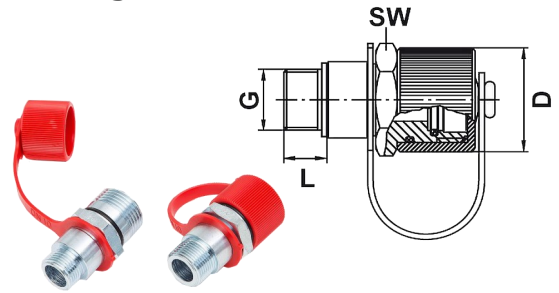
SWIVEL UNION DESCRIPTION	G	D	SW	SW1	PART NUMBER
STEEL SWIVEL UNION 90°	10X1	6MM	10MM	14MM	106-123
STEEL SWIVEL UNION 90°	10X1	4MM	10MM	14MM	1022-110



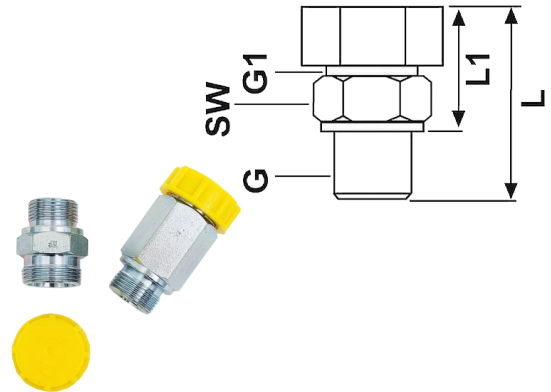
FILL FITTINGS - METRIC/NPTF

FILLING CONNECTION ADAPTERS

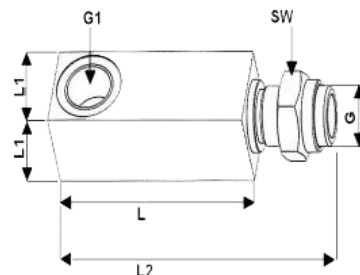
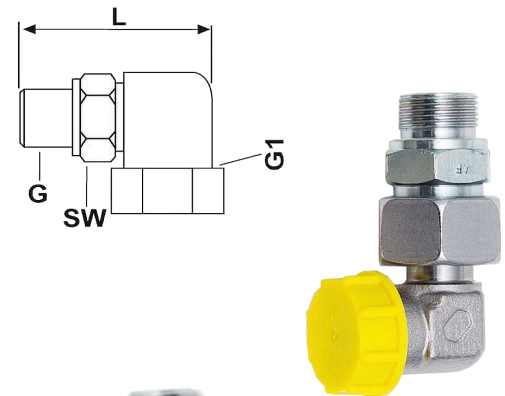
FILLING CONNECTION FOR FILLING PUMP DESCRIPTION	G	D	SW	PART NUMBER
STEEL FILLING CONNECTION FOR FILLING PUMP LFR100-201	(M) 20X1.5	34MM	32MM	100-200
STEEL FILLING CONNECTION FOR FILLING PUMP LFR100-201	(M) 22X1.5	34MM	32MM	100-208



STRAIGHT FILLING CONNECTION DESCRIPTION	G	G1	L	L1	SW	PART NUMBER
STEEL FILLING CONNECTION STRAIGHT	(M) 22X1.5	(M) 26X1.5	38MM	26MM	27MM	100-202
STEEL FILLING CONNECTION STRAIGHT	(M) 20X1.5	(M) 26X1.5	60MM	48MM	27MM	100-207

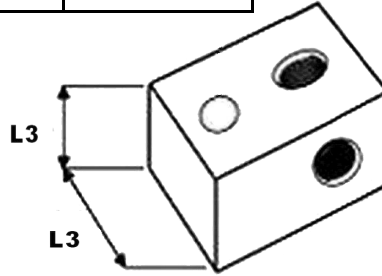
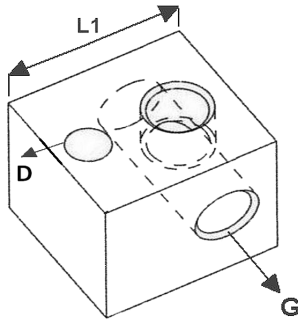
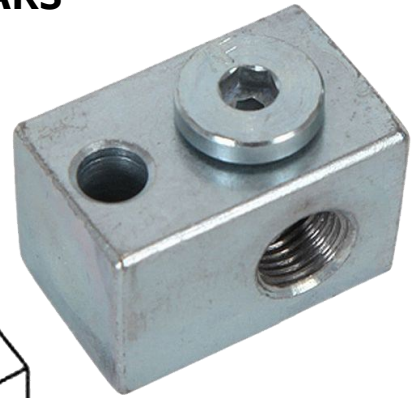


90° FILLING CONNECTION DESCRIPTION	G	G1	L	L1	L2	SW	PART NUMBER
STEEL ADAPTER FILLING CONNECTION 90° WITH STUB	(M) 20X1.5	(M) 20X1.5	82MM	30MM	115MM	27MM	5022-101
STEEL ADAPTER FILLING CONNECTION 90° WITH STUB	(M) 20X1.5	(M) 20X1.5	47MM	30MM	80MM	27MM	5022-102
STEEL ADAPTER FILLING CONNECTION 90° WITH STUB	(M) 22X1.5	(M) 22X1.5	82MM	30MM	115MM	27MM	5022-103
STEEL ADAPTER FILLING CONNECTION 90° WITH STUB	(M) 22X1.5	(M) 22X1.5	47MM	30MM	80MM	27MM	5022-104
STEEL FILLING CONNECTION 90° WITHOUT STUB	(M) 22X1.5	(M) 26X1.5	71MM	N/A	N/A	27MM	100-203

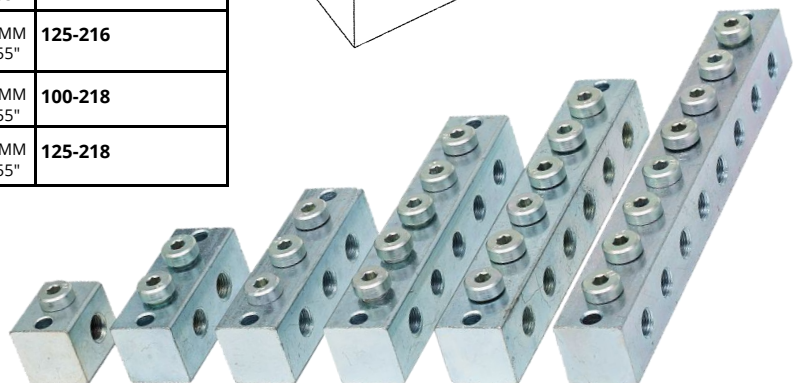
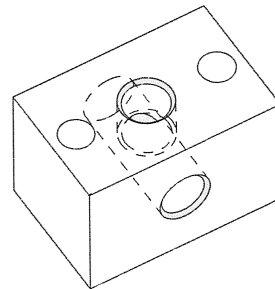
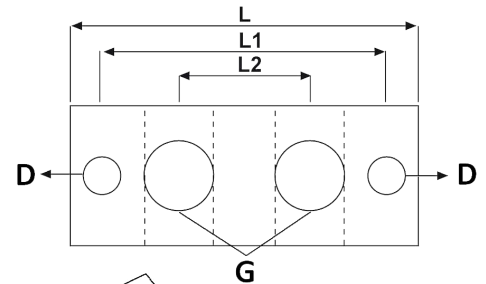
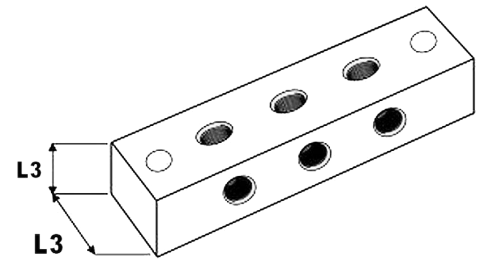


ZERK (MANUAL LUBE) BARS

1 MOUNTING HOLE GREASE BLOCK DESCRIPTION	G	L	L3	D	PART NUMBER
METRIC, M10 X 1 PORT (1 LINE)	(M) 10X1	30MM 1.18"	25MM 1.00"	6.5MM .255"	100-211
US, 1/8 NPSF (1 LINE)	1/8-27 NPSF	30MM 1.18"	25MM 1.00"	6.5MM .255"	125-211



2 MOUNTING HOLE GREASE BLOCK DESCRIPTION	G	L	L1	L2	L3	D	PART NUMBER
METRIC, M10 X 1 PORTS (2 LINE)	(M) 10X1	60MM 2.36"	50MM 1.97"	22MM .866"	25MM 1.00"	6.5MM .255"	100-212
US, 1/8 NPSF (2 LINE)	1/8-27 NPSF	60MM 2.36"	50MM 1.97"	22MM .866"	25MM 1.00"	6.5MM .255"	125-212
METRIC, M10 X 1 PORTS (3 LINE)	M10 X 1	84MM 3.31"	74MM 2.91"	22MM .866"	25MM 1.00"	6.5MM .255"	100-213
US, 1/8 NPSF (3 LINE)	1/8-27 NPSF	84MM 3.31"	74MM 2.91"	22MM .866"	25MM 1.00"	6.5MM .255"	125-213
METRIC, M10 X 1 PORTS (4 LINE)	(M) 10X1	106MM 4.17"	96MM 3.78"	22MM .866"	25MM 1.00"	6.5MM .255"	100-214
US, 1/8 NPSF (4 LINE)	1/8-27 NPSF	106MM 4.17"	96MM 3.78"	22MM .866"	25MM 1.00"	6.5MM .255"	125-214
METRIC, M10 X 1 PORTS (5 LINE)	(M) 10X1	128MM 5.04"	118MM 4.65"	22MM .866"	25MM 1.00"	6.5MM .255"	100-215
US, 1/8 NPSF (5 LINE)	1/8-27 NPSF	128MM 5.04"	118MM 4.65"	22MM .866"	25MM 1.00"	6.5MM .255"	125-215
METRIC, M10 X 1 PORTS (6 LINE)	(M) 10X1	150MM 5.91"	140MM 5.51"	22MM .866"	25MM 1.00"	6.5MM .255"	100-216
US, 1/8 NPSF (6 LINE)	1/8-27 NPSF	150MM 5.91"	140MM 5.51"	22MM .866"	25MM 1.00"	6.5MM .255"	125-216
METRIC, M10 X 1 PORTS (8 LINE)	(M) 10X1	194MM 7.64"	184MM 7.25"	22MM .866"	25MM 1.00"	6.5MM .255"	100-218
US, 1/8 NPSF (8 LINE)	1/8-27 NPSF	194MM 7.64"	184MM 7.25"	22MM .866"	25MM 1.00"	6.5MM .255"	125-218

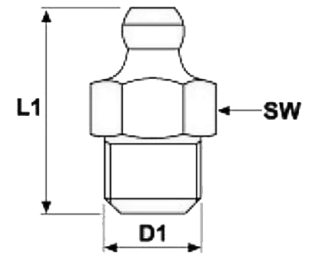


NOTE: ALL DIMENSION PROVIDED ARE +/- 1/16"

GREASE (ZERK) FITTINGS, FILL FITTINGS & CLOSURE PLUGS

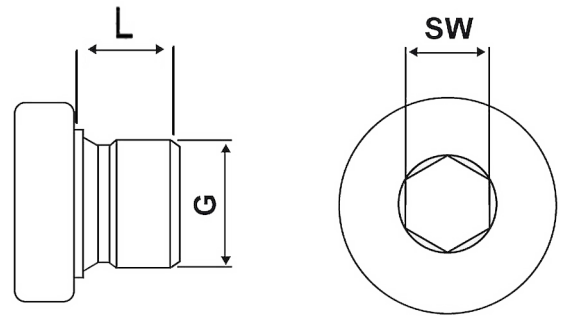
GREASE NIPPLES

GREASE NIPPLE DESCRIPTION	G	L	PSI/BAR	PART NUMBER
ZINC PLATED STEEL HIGH PRESSURE GREASE NIPPLE	10X1	20.7MM	5800/400	250-003-RV



CLOSURE PLUGS

CLOSURE PLUG DESCRIPTION	G	L	SW	PART NUMBER
US, 1/8 NPSF (WITH O RING)	1/8-2 ORS	6.25MM	3/16"	A-002-S
US, BASEPLATE ISO PLUG	(M) 10X1	12MM	3/16"	A-003-S
US, 1/8-28 BSP SEAL PLUG	1/8-28BSPP	10MM	3/16"	A-004-S
US, 1/8-27 NPS SEAL PLUG	1/8-27NPS	10MM	3/16"	A-005-S
US, MANUAL FILL FITTING 303 (WITH CAP & O-RING)	1/8-27 ORS	6.5MM	3/16"	L90471-ORS-303
US, MANUAL FILL FITTING 316 (WITH CAP & O-RING)	1/8-27 ORS	6.5MM	3/16"	L90471-ORS-316
INTERNAL CHECK KIT 303 (CAP O-RING BALL SPRING)	N/A	N/A	N/A	1202-430
INTERNAL CHECK KIT 316 (CAP O-RING BALL SPRING)	N/A	N/A	N/A	FL316-430
STEEL CLOSURE PLUG	(M) 10X1	4.5MM	5MM	100-243
STEEL CLOSURE PLUG	(M) 10X1	4.5MM	5MM	100-243-SW



LFR100-243



1202-430



LFR100-243-SW



A-002-S



A-003-S



A-004-S



A-005-S

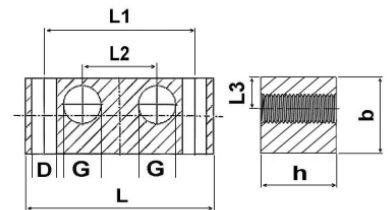


L90471-ORS-303



GREASING BLOCK BSP THREAD 8/12 STRAIGHT DRILLING

PART NUMBER	DESCRIPTION AND TECHNICAL DETAILS
5029-103	GREASING BLOCK 3G M 10 X 1 D 2 X 6,5 20X20
5029-111	GREASING BLOCK 1G 1/8 BSP D 2 X 6,5 20X20
5029-112	GREASING BLOCK 2G 1/8 BSP D 2 X 6,5 20X20
5029-113	GREASING BLOCK 3G 1/8 BSP D 2 X 6,5 20X20
5029-114	GREASING BLOCK 4G 1/8 BSP D 2 X 6,5 20X20
5029-115	GREASING BLOCK 5G 1/8 BSP D 2 X 6,5 20X20
5029-116	GREASING BLOCK 6G 1/8 BSP D 2 X 6,5 20X20
5029-119	GREASING BLOCK 9G 1/8 BSP D 2 X 6,5 20X20
5029-124	GREASING BLOCK 4G 1/8 NPT D 2 X 6,5 20X20
5029-126	GREASING BLOCK 6G 1/8 NPT D 2 X 6,5 20X20
5029-129	GREASING BLOCK 9G 1/8 NPT D 2 X 6,5 20X20
5029-201	GREASING BLOCK 1 - 316G M 10 X 1 D 2 X 6,5 25X25
5029-211	GREASING BLOCK 1 - 316G M 10 X 1 D 1 X 6,5 25X25
5029-212	GREASING BLOCK 2 - 316G M 10 X 1 D 2 X 6,5 25X25
5029-213	GREASING BLOCK 3 - 316G M 10 X 1 D 2 X 6,5 25X25
5029-214	GREASING BLOCK 4 - 316G M 10 X 1 D 2 X 6,5 25X25
5029-215	GREASING BLOCK 5 - 316G M 10 X 1 D 2 X 6,5 25X25
5029-216	GREASING BLOCK 6 - 316G M 10 X 1 D 2 X 6,5 25X25
5029-218	GREASING BLOCK 8 - 316G M 10 X 1 D 2 X 6,5 25X25
5029-301	GREASING BLOCK 1 - 316G 1/8 BSP D 2 X 6,5 25X25
5029-311	GREASING BLOCK 1 - 316G 1/8 BSP D 1 X 6,5 25X25
5029-312	GREASING BLOCK 2 - 316G 1/8 BSP D 2 X 6,5 25X25
5029-313	GREASING BLOCK 3 - 316G 1/8 BSP D 2 X 6,5 25X25
5029-314	GREASING BLOCK 4 - 316G 1/8 BSP D 2 X 6,5 25X25
5029-315	GREASING BLOCK 5 - 316G 1/8 BSP D 2 X 6,5 25X25
5029-316	GREASING BLOCK 6 - 316G 1/8 BSP D 2 X 6,5 25X25
5029-318	GREASING BLOCK 8 - 316G 1/8 BSP D 2 X 6,5 25X25



www.silverieng.com
sales@silverieng.com
1300 766 413