



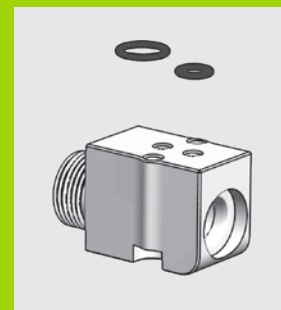
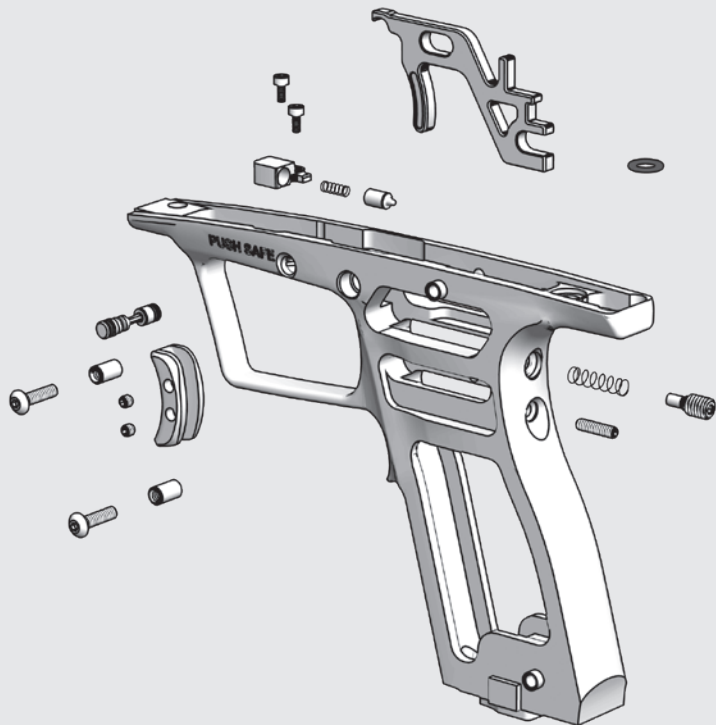
# GMEK TRIGGER FRAME

USER MANUAL - ENGLISH



G M E K  
MECHANISED  
COMPONENT

DESIGNED  
TO FIT:



## **WARNINGS**

### **READ CAREFULLY BEFORE USE**

#### **! THE PLANET ECLIPSE GMEK IS NOT A TOY. PAINTBALL SAFETY RULES MUST BE FOLLOWED AT ALL TIMES.**

**!** Careless or improper use of the GMEK, including failure to follow instructions and warnings within this User Manual could cause serious injury or death.

**!** Do not remove or deface any warnings attached to the GMEK.

**!** Paintball industry standard eye/face/ear and head protection designed specifically to stop paintballs and meeting ASTM standard F1776 (USA) or CE standard (Europe) must be worn by the user and any person within range. Proper protection must be worn during assembly, cleaning and maintenance.

**!** Hearing protection should be worn.

**!** Never shoot at a person who is not wearing proper protection.

**!** Never look directly into the barrel of the marker. Accidental discharge into the eyes may cause permanent injury or death. Never look into the barrel or breech area of the GMEK whilst the marker is LIVE and able to fire.

**!** Set the GMEK to SAFE until ready to shoot.

**!** Treat every marker as if it were loaded and ready to fire.

**!** The SAFETY SWITCH is the GMEK's disabling device. Always set the GMEK to SAFE when not in use.

For simplicity, GMEK refers to an Eclipse GTEK paintball marker with the GMEK mechanical frame installed.

**!** Always fit a barrel-blocking device to the GMEK when not in use.

**!** Always remove paintballs from the GMEK when not in use.

**!** Do not field strip or remove any parts while the marker is pressurised.

**!** Do not pressurise the GMEK without all the components of the marker correctly installed, as high-pressure gas may be emitted.

**!** Do not fire the GMEK without the bolt correctly installed.

**!** Never put your finger or any foreign objects into the paintball feed tube of the GMEK.

**!** Never allow pressurised gas to come into contact with any part of your body.

**!** Always remove the first stage regulator and relieve all residual gas pressure from the GMEK before disassembly.

**!** Always remove the first stage regulator and relieve all residual gas pressure from the GMEK for transport and storage.









**!** Always follow guidelines given with your first stage regulator for safe transportation and storage.

**!** Always store the GMEK in a secure place.

**!** Observe all local and national laws, regulations and guidelines.

## WARNINGS

### READ CAREFULLY BEFORE USE

-  Persons under 18 years of age must have adult supervision when using or handling the GMEK.
-  Use only professional paintball fields where codes of safety are strictly enforced.
-  Use compressed air/nitrogen only. Do not use any other compressed gas or pressurised liquid including CO2.
-  Always follow instructions, warnings and guidelines given with any first stage regulator you use with the GMEK.
-  Use 0.68 inch calibre paintballs only.
-  Always measure your marker's velocity before playing paintball, using a suitable chronograph.
-  Never shoot at velocities in excess of 300 feet (91.44 metres) per second, or at velocities greater than local or national laws allow.
-  Any installations, modifications or repairs should be carried out by a qualified individual at a licensed and insured paintball facility.

## WARNING!



This user manual must accompany the product in the event of resale or new ownership. Should you be unsure at any stage you must seek expert advice.



### **This Users Manual is in English.**

It contains important safety guidelines and instructions. Should you be unsure at any stage, or unable to understand the contents of this manual you must seek expert advice.



### **Le mode d'emploi est en Anglais.**

Il contient des instructions et mesures de sécurité importantes. En cas de doute, ou s'il vous est impossible de comprendre le contenu du mode d'emploi, demandez conseil à un expert.



### **Este manual de usuarios (operarios)**

Usuarios está en Inglés. Contiene importantes normas de seguridad e instrucciones. Si no está seguro de algún punto o no entiende los contenidos de este manual debe consultar con un experto.



### **Diese Bedienungs - und Benutzeranleitung ist in Englisch.**

Sie enthält wichtige Sicherheitsrichtlinien und -bestimmungen. Sollten Sie sich in irgendeiner Weise unsicher sein, oder den Inhalte dies Heftes nicht verstehen, lassen Sie sich bitte von einen Experten beraten.

---

**QUICK START (05-14)**

05	Installation
06	The GMEK frame kit
08	Setting up the GMEK
10	GMEK safety switch
11	Trigger adjustment
13	Unloading the GMEK
14	Storage and transportation

**TECHNICAL INFORMATION (16-19)**

16	GMEK 3-way valve
17	Trigger assembly
18	Parts list

**SUPPORT (20-23)**

20	Index
21	Support
22	Notes

# 05

## QUICK START INSTALLATION

Visit our online **Tech Room** for videos of how to install the GMEK frame kit.

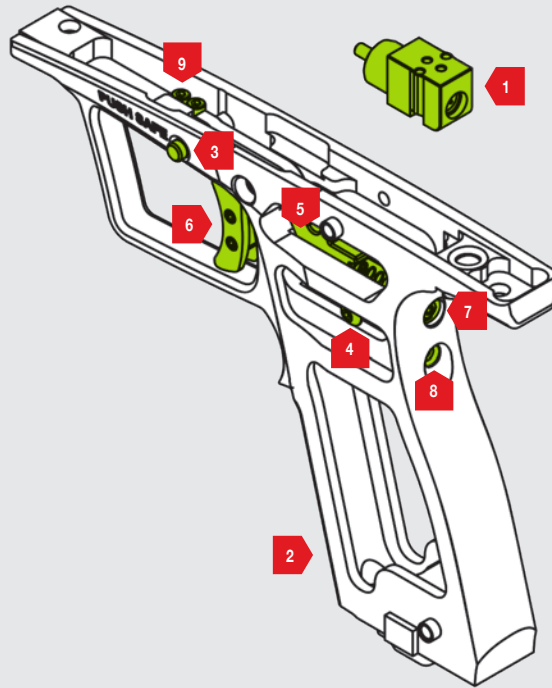
We also have videos for servicing and maintaining your GMEK, as well as other Planet Eclipse markers.

[www.youtube.com/user/planetecclipsetv](http://www.youtube.com/user/planetecclipsetv)



**QUICK START**  
THE GMEK FRAME KIT

FIG-1



---

**FIG-1**

The GMEK mechanical frame is an easy-to-fit kit that transforms the GTEK marker into a purely mechanical paintball marker.

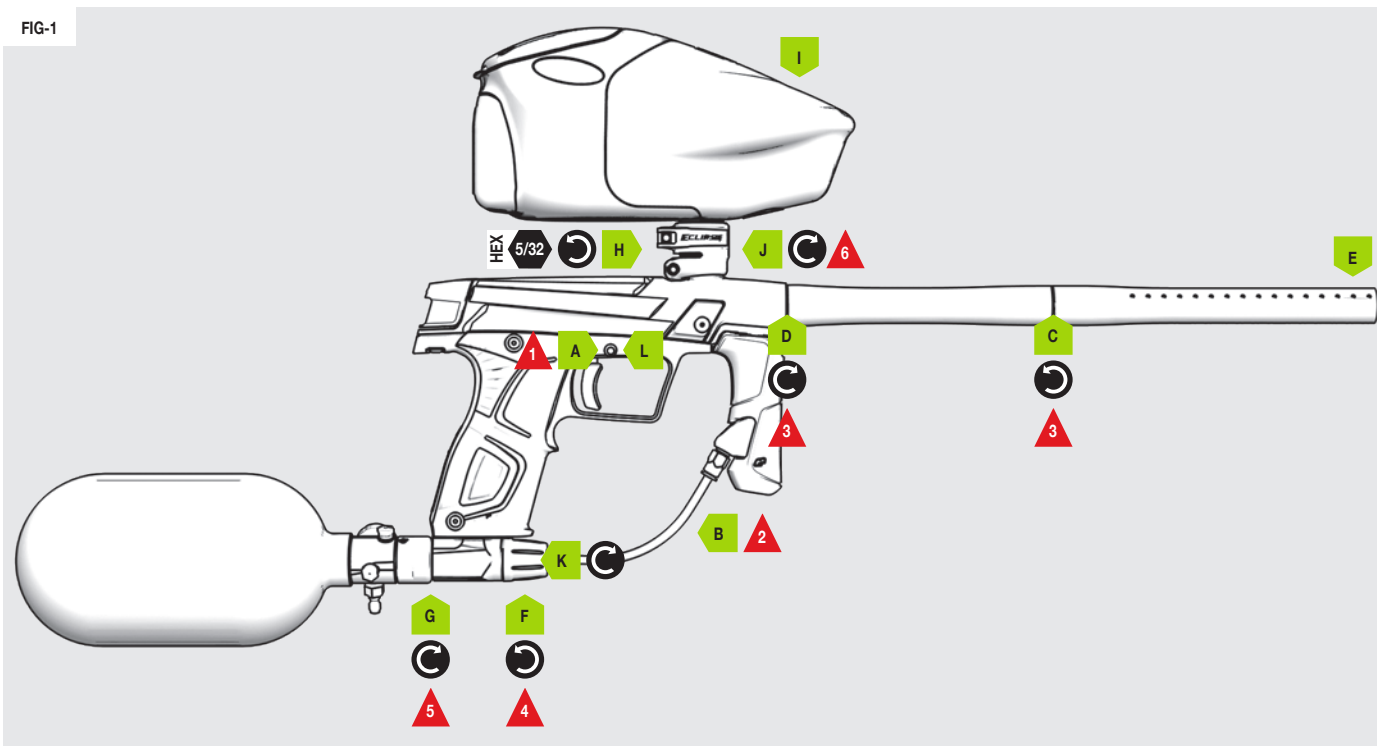
**The kit includes:**

- 1 GMEK 3-Way Valve
- 2 GMEK Frame
- 3 Safety Switch
- 4 Trigger Guide Post
- 5 Trigger Plate
- 6 Removable GMEK Trigger Shoe
- 7 Adjustable Trigger Return Spring
- 8 Trigger Stop
- 9 Safety Switch Assembly

# QUICK START

## SETTING UP THE GMEK

FIG-1





### FIG-1

- A Set the SAFETY SWITCH to SAFE before you begin.**
- B Check the condition of the macroline before you progress.**
- C Screw both ends of the barrel together.**  
Screw the barrel tip counter-clockwise into the barrel back.
- D Screw the complete barrel to the marker.**  
The barrel back screws clockwise into the marker body.
- E Fit a barrel blocking device for safety.**
- F Ensure the marker is de-gassed.**  
Unscrew the On/Off Purge System (OOPS) knob counter-clockwise.
- G Attach the pre-set air system.**  
Screw the air system clockwise into the OOPS body.
- H Loosen the clamping feed neck.**  
Open the feed neck lever away from the feed neck.  
Unscrew the feed neck lever screw counter-clockwise.
- I Attach the loader.**  
If the feed neck is too tight, loosen the clamping feed neck more.
- J Secure the loader.**  
Close the feed neck lever to secure.  
Screw the feed neck lever screw clockwise to tighten.
- K Gas the marker.**  
Screw the On/Off Purge System (OOPS) knob clockwise.
- L Disable the SAFETY SWITCH. The marker is now LIVE.**

- 1 IMPORTANT!** To operate the SAFETY SWITCH see page 10.
- 2 IMPORTANT!** Damaged or worn macroline can be dangerous.
- 3 DO NOT** over-tighten the barrel.
- 4 IMPORTANT!** Always ensure marker is de-gassed when setting up.
- 5 NEVER** use CO2. Compressed air or Nitrogen only.
- 6 DO NOT** over-tighten the feed neck. This may damage the GMEK.

## WARNING!



Always make sure the marker is SAFE with a barrel blocking device installed and that no paintballs are in the GMEK or loader before installing an air system.

Compressed air and nitrogen systems can be extremely dangerous if handled or used incorrectly.

Only attach an air system certified for use within the country of use.

Never add lubricants or grease into the fill adaptor of the air system regulator.

Ensure that all screws are tightened and no parts are loose before installing an air system.

Do not pressurise the GMEK without the bolt system correctly installed, as high pressure gas will be emitted.

Do not install a compressed air system or load paintballs into the GMEK until you feel confident with your ability to handle the marker safely and responsibly.

# 10

## QUICK START GMEK SAFETY SWITCH

FIG-1

Once the GMEK mechanical trigger frame is fitted to your GTEK marker, you no longer have the safety benefits of the marker's electronics. A GMEK is essentially ALWAYS LIVE once aired up. Which is why the GMEK SAFETY SWITCH **A** is the most important feature of the frame.

FIG-2

The SAFETY SWITCH pushes inwards from either side of the frame. To make your marker SAFE push the switch inwards from the left side of the frame **A** and to make your marker LIVE push the switch inwards from the right side of the frame **B**.

FIG-1

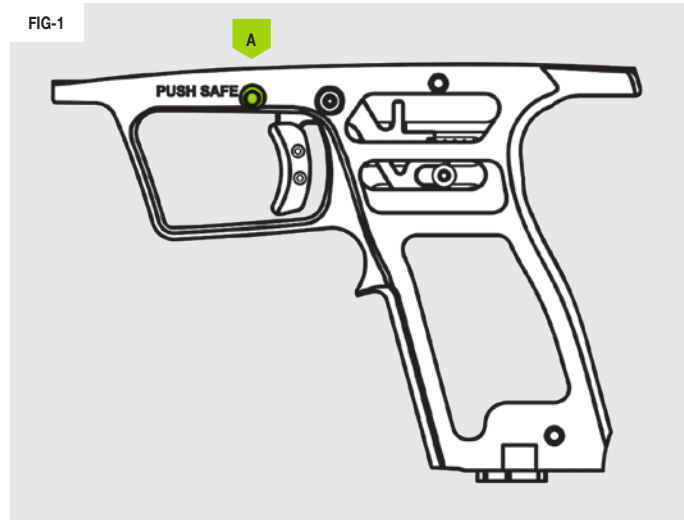
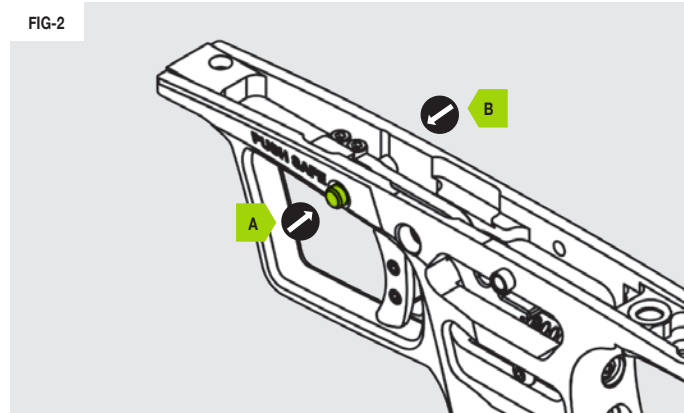


FIG-2



### WARNING!



Always make sure the safety switch is set to SAFE when handling a GMEK. Failure to do so could result in injury or even death.

## QUICK START

### TRIGGER ADJUSTMENT

FIG-1

The trigger spring screw **A** adjusts the spring strength of the trigger return. Clockwise increases the spring strength, counter-clockwise reduces the spring strength. Turning the screw in too far will prevent the marker from firing.

The trigger travel screw **B** adjusts the distance the trigger travels once pulled. Clockwise decreases the distance of the trigger pull, counter-clockwise increases the trigger pull distance. Turning the screw in too far will prevent the marker from firing.

FIG-2

Turn the trigger shoe screws **A** counter-clockwise to remove the trigger shoe, for ease of cleaning or to replace.

## WARNING!



Always make sure the marker is SAFE and de-gassed with a barrel blocking device installed and that no paintballs are in the GMEK or loader before adjusting the trigger

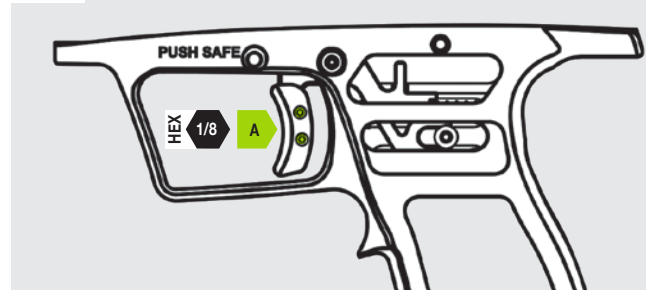
Do not wind the screws in too far as this may prevent the GMEK from firing or even damage the marker.

FIG-1

HEX 1/2



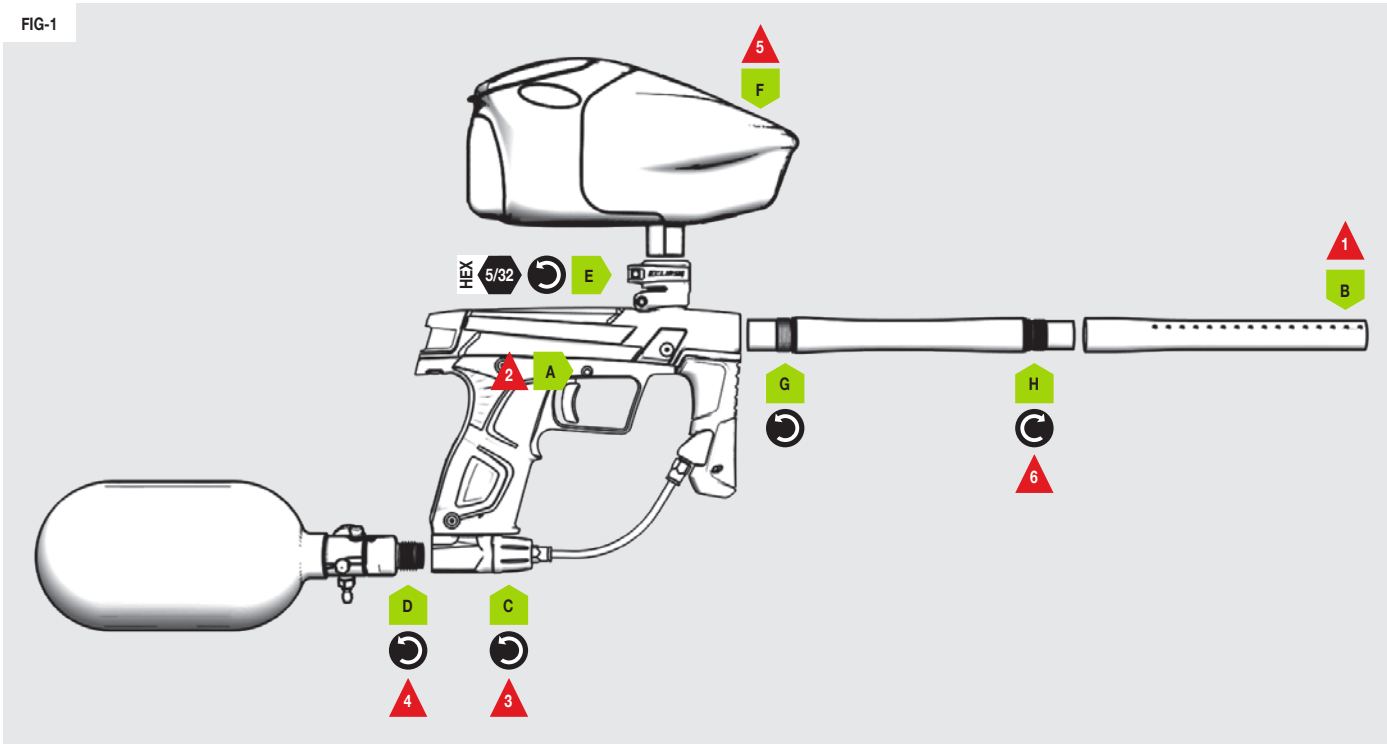
FIG-2



# QUICK START

## UNLOADING THE GMEK

FIG-1



**FIG-1****A Set the marker to SAFE.****B Ensure that a barrel blocking device is fitted for safety.****C De-gas the marker.**

Unscrew the On/Off Purge System (OOPS) knob counter-clockwise.

**D Remove the pre-set air system.**

Unscrew the air system counter-clockwise from the OOPS body.

**E Loosen the clamping feed neck.**

Open the feed neck lever away from the feed neck.  
Unscrew the feed neck lever screw counter-clockwise.

**F Remove the loader.**

If the feed neck is too tight, loosen the clamping feed neck more.

**G Remove the barrel from the marker body.**

Unscrew counter-clockwise to remove.

**H Remove the barrel tip from the barrel back.**

Unscrew clockwise to remove.

- 1 IMPORTANT!** Extra precaution in case of accidental firing.
- 2 IMPORTANT!** To operate the SAFETY SWITCH see page 10.
- 3 IMPORTANT!** Always de-gas before unloading.
- 4 IMPORTANT!** Always remove air system before unloading.
- 5 IMPORTANT!** Always remove any paintballs from the breech of the marker once the loader has been removed.
- 6 IMPORTANT!** Unscrew the barrel tip CLOCKWISE from the back.

**WARNING!**

Always make sure the marker is SAFE with a barrel blocking device installed and that no paintballs are in the GMEK or loader before unloading.

Compressed air and nitrogen systems can be extremely dangerous if handled or used incorrectly.

NEVER leave the GMEK gassed up when unloading.

NEVER point your marker in the direction of other people when not on the field.

Remove any paintballs from the breech before storing your GMEK.

# QUICK START

## STORAGE AND TRANSPORTATION

- 1 Your GMEK must be clear of all paint and propellant during transportation or storage.
- 2 Make sure the GMEK is set to SAFE.
- 3 Remove the barrel from the marker.
- 4 Make sure the marker is clean of any paint residue, dirt and moisture.
- 5 Store your GMEK in a clean, cool, dry place.
- 6 Keep your GMEK away from any unauthorized and unsafe users.
- 7 Protect your GMEK from excessive heat during transportation.
- 8 When transporting a paintball marker by air, check with the airline regarding their policies on transporting paintball equipment as hold luggage before arriving at the airport.
- 9 Observe and obey all local and national laws concerning the transportation of paintball markers.
- 10 Use the box in which the marker was originally supplied to protect the marker against rough handling during transport.

## WARNING!



Never carry your GMEK un-cased when not on a playing field. The non-playing public and law enforcement personnel may not be able to distinguish between a paintball marker and a real firearm. For your own safety and to protect the image of paintball, always carry the GMEK (or any other paintball marker) in a suitable marker case such as the one in which it was supplied.



Loader and mask property of their respective owners.  
GMEK featured may differ slightly from final production model.



**G M E K**

MECHANISED  
COMPONENT

FIG-1

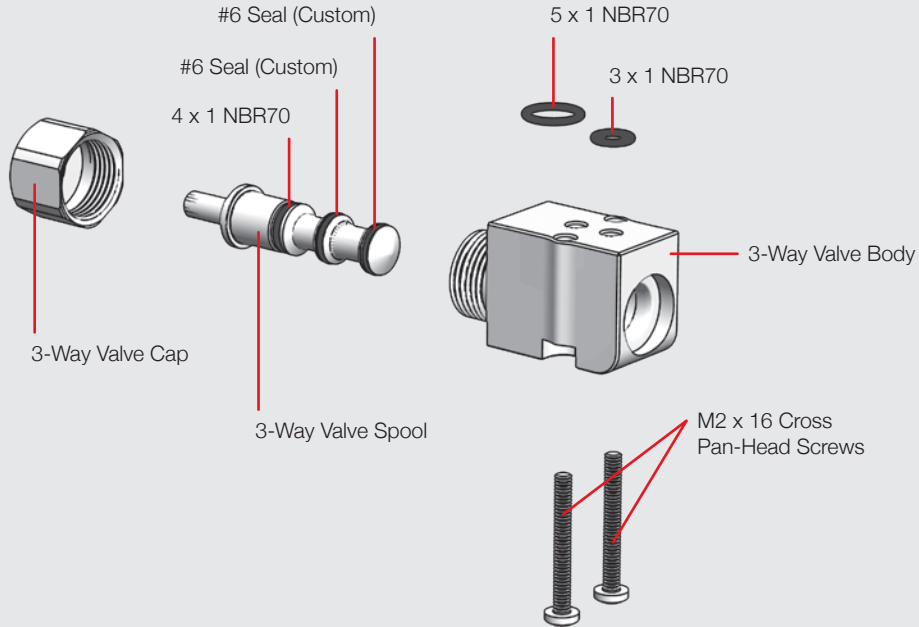




FIG-1

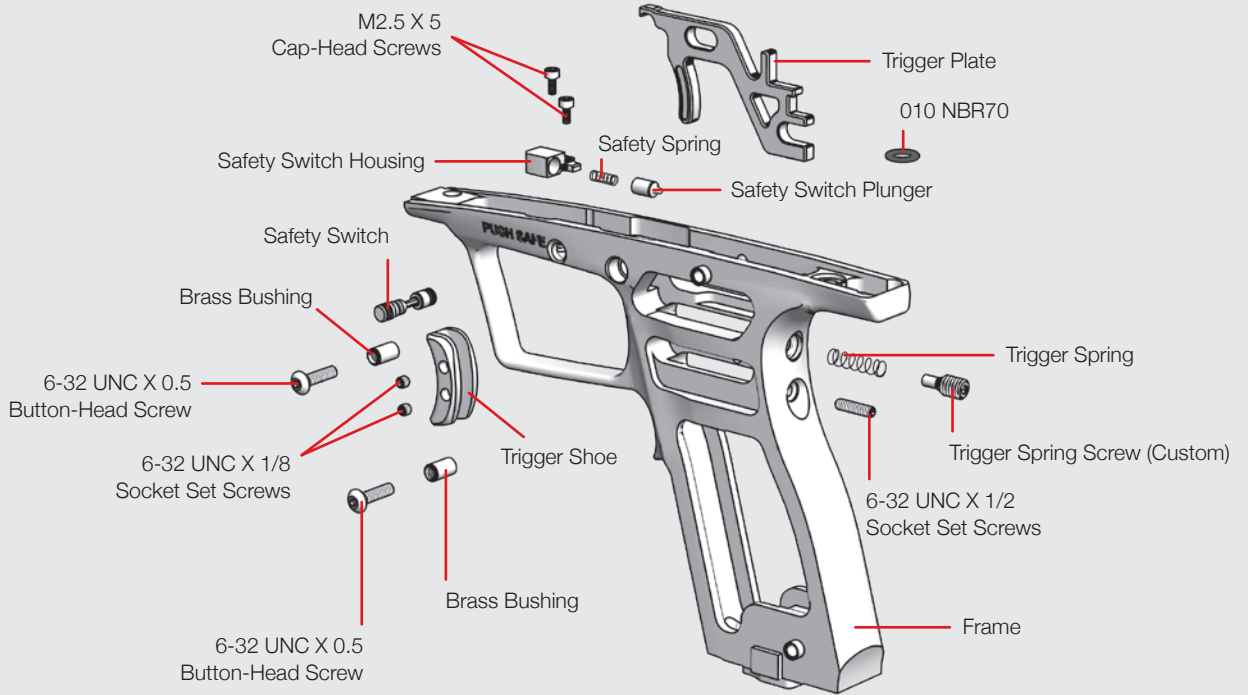
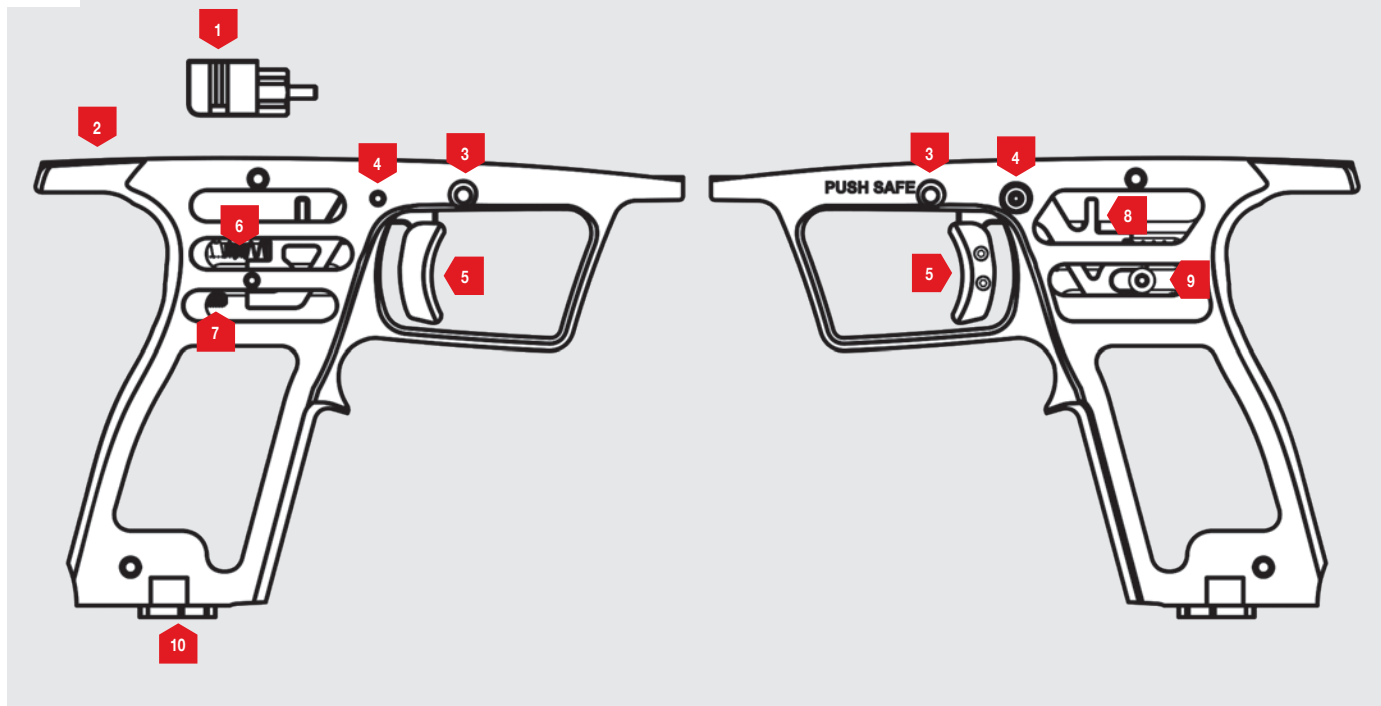


FIG-1



---

**FIG-1**

- 1 GMEK 3-Way Valve
- 2 GMEK Frame
- 3 Safety Switch
- 4 Trigger Guide Post
- 5 Removable GMEK Trigger Shoe
- 6 Adjustable Trigger Return Spring
- 7 Trigger Stop
- 8 GMEK Trigger Plate
- 9 Trigger Guide Post
- 10 OOPS Connection

---

**Symbols****3-Way Valve:** 07,16,19**A****Air System:** 09,13**B****Barrel:** 09,13**Barrel Blocking Device:** 09,13**Bolt:** 07,19**C****Clamping Feed Neck:** 09,13**F****Frame:** 07,17,19**I****Installation:** 05**L****Loader:** 09,13**M****Macroline:** 09**O****On/Off Purge System:** 09,13**OOPS:** 09,13**R****Regulator:** 02,03,09**S****Safety Switch:** 04,07,10,17,19**Setting Up:** 08,09**Storage:** 02,14**Support:** 21**T****Trigger:** 11**Trigger Guide Post:** 07,19**Trigger Plate:** 07,17,19**Trigger Return Spring:** 07,19**Trigger Shoe:** 07,17,19**Trigger Stop:** 07,19**V****Velocity:** 03**W****Warning:** 03,09,10,11,13,14**Warranty:** 21

**SUPPORT**

As an Eclipse customer you will have access to our worldwide technical support network that will help you with any technical problems from localised service centres to on-site\* tech support.

**WARRANTY**

Our exceptional 12 month\* manufacturers warranty backed by our online warranty system offers peace of mind and ensures your claim will be repaired or replaced in a snap!

**QUALITY**

All Eclipse products undergo meticulous checks by experienced specialists who care about the product that arrives at your door. Stringent quality control and the use of precision materials equals a quality product.

**STANDARD**

Your Eclipse marker is awesome and requires no aftermarket parts, however, for genuine Eclipse accessories that compliment your playing preference or individual style consult your local Eclipse Dealer for upgrade options.

For more information about our Planet Eclipse Approved Tech Centres, visit our servicing page online:

**[PLANETECLIPSE.COM/SITE/SERVICE-CENTRES](https://www.planeteclipse.com/site/service-centres)**

\* Conditions apply, see online policies for full details at [planeteclipse.com](https://www.planeteclipse.com)







# GET MORE PLANETECLIPSE.COM



**THIS PRODUCT IS COVERED BY AND/OR LICENSED UNDER ONE OR MORE OF THE FOLLOWING PATENTS:**

**G.B. PATENTS:**

2,342,710; 2,345,953; 2,352,022; 2,391,292; 2,391,063;

**U.S. PATENTS:**

7,836,873; 7,603,995; 7,073,284; 8,104,463; 7,509,953; 7,921,839; 7,089,697; 7,866,307; 8,082,912; 7,076,906; 7,607,424; 7,980,238; 8,960,175; 8,528,877; 8,201,547; 8,397,706; 8,210,160; 7,073,284; 6,311,682; 6,748,938; 6,860,259; 6,941,693; 6,973,748; 5,881,707; 5,967,133; 6,035,843; 6,474,326; 6,637,421; 6,644,295; 6,810,871; 6,901,923; 7,121,272; 7,100,593; 7,610,908; 7,603,997; 7,946,285; 6,349,711; 7,044,119; 7,185,646; 7,461,646; 7,556,032; 7,591,262; 7,617,819; 7,617,820; 7,640,925; 7,640,926; 7,866,308;

**APPLICATION NUMBERS:**

12/256,832; 12/613,958; 12/493,777; 11/654,721; 11/747,107; 12/503,504; 11/781,821; 60/832,548; 11/965,886; 10/280,115

Additional U.S. and International Patents may be pending.

## USA

130 Franklin Street  
Building L4 & L5  
Warren, RI, 02885, USA  
Call: +1 401 247 9061  
info.usa@planeteclipse.com

## UK

Unit 14 Premier Park, Acheson Way  
Trafford Park Road, Trafford Park  
Manchester, M17 1GA, England  
Call: +44(0) 161 872 5572  
info.europe@planeteclipse.com

© 2017 Copyright Planet Eclipse Ltd. Eclipse, Planet Eclipse, the E Logo Device, Geo, CS1, Ego, LV1, Etek, Gtek, Etha, Gmek and EMC are all either design trademarks, registered trademarks or trademarks of Planet Eclipse Ltd. All other trademarks are property of their respective owners.

MAN0030\_Gmek-Manual-EN-V2