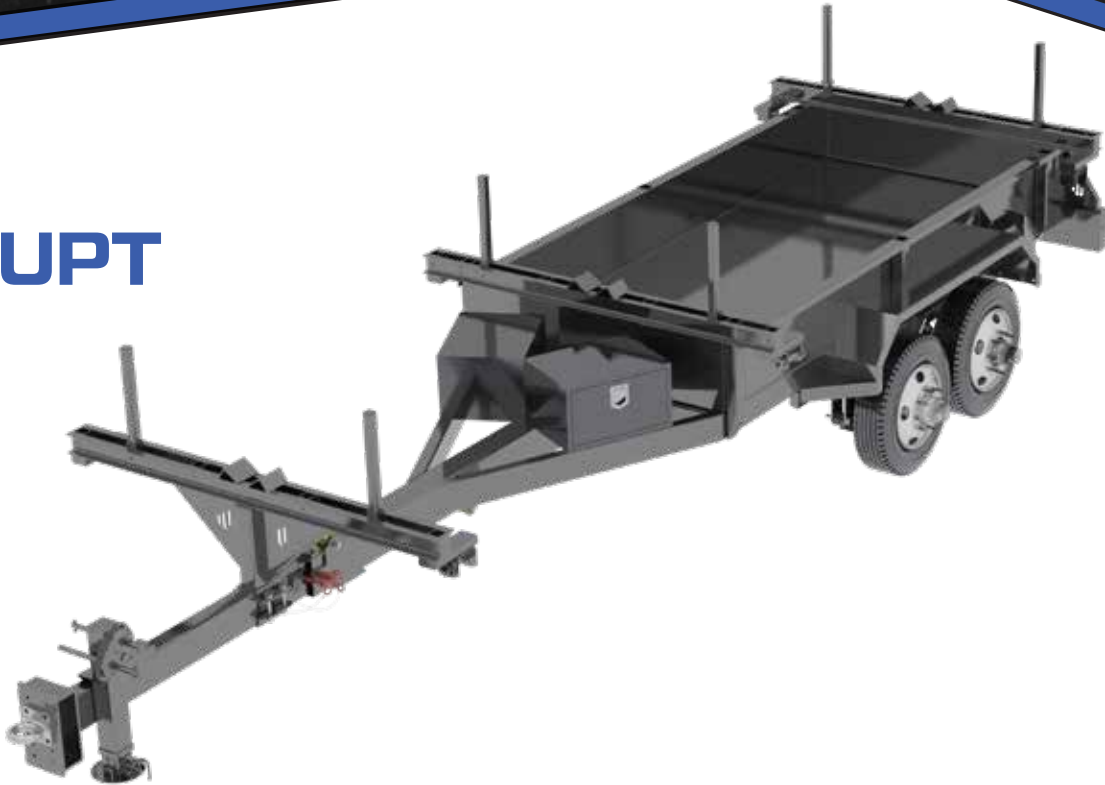


Model 16KUPT



16K UTILITY POLE TRAILER

SPECIFICATIONS

Length	Extendable length from 25' 10" to 41' (7 pinpoints with 6 equal intervals @ 30" apart)
Width	88" OAW, with 88" Bolsters OAW (84.5" useable width)
Running Gear	Two 8,000 lb. single wheel axles with oil bath hubs
Brakes	12 ¼" x 5" electric with self-charging break-away system
Landing Gear	12,000 lb. static drop leg jack
Wheels	16" 8-hole Steel
Tires	235/80R 16" 14-Ply
Tongue	7 x 4 x 1/4 and 8 x 6 x 3/16 rect. tube; telescopes on rollers and UHMW
Frame	6 x 3 x 1/4 rectangle tube
Coupling System	42,000 lb capacity x 2 ½" pintle eye, adjustable in 2 ¼" increments
Lights	Sealed beam with waterproof wiring in nylon tubing
G.V.W.R.	18,000 lbs.
Empty Weight	4800 lbs.
Payload	Approximately 13,200 lbs.
Misc.	Tie down straps, wheel chocks, safety chains, slide in tube stanchions with keeper pins

OPTIONS

10K HD Axles / Air Brakes / Additional storage boxes / Rear and side steps with removable safety handles
Reel stands / Swing away jack / Additional length / Custom paint color