

# AquaSept™/AquaFit™ Limited Warranty Policy

## Scope of Warranty

Genesis Dental Technologies, LLC, manufacturer of AquaSept/AquaFit (“Genesis”) warrants to the original retail purchaser that the AquaSept/AquaFit branded products will be free from defects in material and workmanship under normal use and service for a period of one year from the date of invoice. Warranty includes parts and labor. Shipping costs are excluded. This limited warranty shall only apply to defects that are reported to Genesis within the warranty period and which, after examination by Genesis, prove to be defective. If Genesis finds the product to be defective during the applicable warranty period, Genesis shall correct any such defect by either, at Genesis’ sole option, repairing or replacing any defective or non-conforming product, or defective or damaged part, as applicable. This warranty is not transferable or assignable.

Discontinued parts and accessories, and parts not supplied by AquaSept are excluded from this limited warranty. Genesis shall not be responsible for dismantling or re-installation of any AquaSept/AquaFit part. Any defects in a repaired or replaced part shall be covered to the extent of the unexpired term of the original warranty period. Warranty does not cover consumable parts, or normal wear, or any goods that have been supplied by any company other than Genesis. Please refer to the AquaSept website for updated warranty and product specifications ([www.aquasept.com](http://www.aquasept.com)).

## Exclusions-Limitation of Liability

Genesis shall be liable under this limited warranty only for defects that appear under normal conditions of operation and proper use. Genesis shall not take any responsibility whatsoever for the product if stored or moved carelessly; tampered with, altered, or misused. This limited warranty is void and Genesis disclaims all liability if customer fails to seek and obtain repair or replacement in a timely manner, or if the product or part is excessively used. In addition, if the Product has been installed, serviced, or repaired by anyone other than an authorized service provider or Genesis, any defects caused or contributed to the Product by these unauthorized parties will void this warranty.

This limited warranty does not cover, and Genesis shall not be liable for, accessories or parts not manufactured by Genesis. Genesis shall not be liable for products that are not properly cleaned and maintained as

required or recommended by Genesis in the AquaSept/AquaFit installation and/or operation manual. This limited warranty shall not apply to customer use outside of the Manufacturer’s recommended use. Genesis shall not be liable for damages of any kind, under any legal theory arising out of or in connection with any non-intended use of the AquaSept/AquaFit products. Any off-label use shall be the sole responsibility of the customer, who will be held singularly liable for damage, injury, or other loss.

## EXCLUSIVE REMEDY; DISCLAIMER

GENESIS’ ONLY OBLIGATION UNDER THIS LIMITED WARRANTY IS THE REPAIR OR REPLACEMENT OF DEFECTIVE PARTS. GENESIS SHALL NOT BE LIABLE FOR AND HEREBY DISCLAIMS ANY DIRECT, SPECIAL, INDIRECT, INCIDENTAL, EXEMPLARY OR CONSEQUENTIAL DAMAGES OR DELAYS, INCLUDING BUT NOT LIMITED TO, DAMAGES FOR LOSS OF PROFITS OR INCOME, LOSS OF USE, DOWNTIME, COVER AND EMPLOYEE OR INDEPENDENT CONTRACTOR WAGES, PAYMENTS, AND BENEFITS. THIS LIMITED WARRANTY IS GENESIS’ ONLY WARRANTY FOR THE AQUASEPT/AQUAFIT PRODUCTS AND IS IN LIEU OF ALL OTHER WARRANTIES, EXPRESS OR IMPLIED. GENESIS MAKES NO IMPLIED WARRANTIES OF ANY KIND INCLUDING ANY IMPLIED WARRANTIES OF MERCHANTABILITY OR FITNESS FOR A PARTICULAR PURPOSE.

No agent, distributor, dealer, or other party is authorized to make any warranty on behalf of Genesis related to AquaSept/AquaFit products or to assume any other liability with respect to its products.

## STATUTE OF LIMITATIONS; CAP ON DAMAGES

No action may be brought against Genesis for breach of this limited warranty for the AquaSept/AquaFit products or for any claim arising out of or relating to the products, more than ninety (90) days following expiration of the limited warranty period. Genesis’ total liability to the purchaser shall not exceed the original product price paid by the purchaser to Genesis.

# AquaSept™



## Operating, Cleaning & Sterilizing Instructions

20-70-113-INS H



Genesis Dental Technologies, LLC  
200 Main Street  
Elmwood, WI 54740



888.539.3907 | [info@aquasept.com](mailto:info@aquasept.com) | [www.aquasept.com](http://www.aquasept.com)

©2023 Genesis Dental Technologies, LLC. Patented.



# Operating Instructions for AquaSept™ High Speed Handpiece System

## Prior to Initial Use:

1. Unpack tubing and delivery system components.
2. The unit is delivered non-sterile. Follow steps 6 through 9 for “Routine Operation - Cleaning & Sterilizing Instructions”.
3. Proceed to “Routine Operation” instructions.

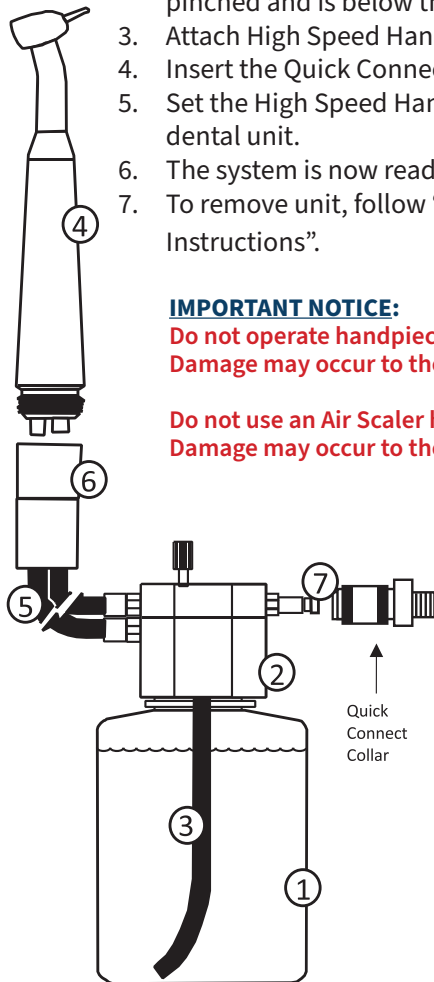
## Routine Operation:

1. Fill the bottle with sterile water. **Do not use saline solution.** Do not fill the neck of the bottle.
2. Screw the bottle into Control Head. Ensure the Dip Tube is not pinched and is below the fluid level in the bottle.
3. Attach High Speed Handpiece to AquaSept™ High Speed Tubing.
4. Insert the Quick Connect fitting on the dental unit until it clicks.
5. Set the High Speed Handpiece into appropriate tool holder on the dental unit.
6. The system is now ready to use.
7. To remove unit, follow “Routine Operation - Cleaning & Sterilizing Instructions”.

## IMPORTANT NOTICE:

**Do not operate handpiece above 40 psi. Damage may occur to the bottle if the system is operated above 40 psi.**

**Do not use an Air Scaler handpiece with the high speed system. Damage may occur to the tubing if Air Scaler handpiece is used.**



### Image Key

- ① Bottle
- ② Control Head
- ③ Dip Tube
- ④ High Speed Handpiece\*\*
- ⑤ High Speed Tubing
- ⑥ Tubing Connector
- ⑦ Quick Connect

\*\*Handpiece sold separately

# Operating Instructions for AquaSept™ Air / Water Syringe System

## Prior to Initial Use:

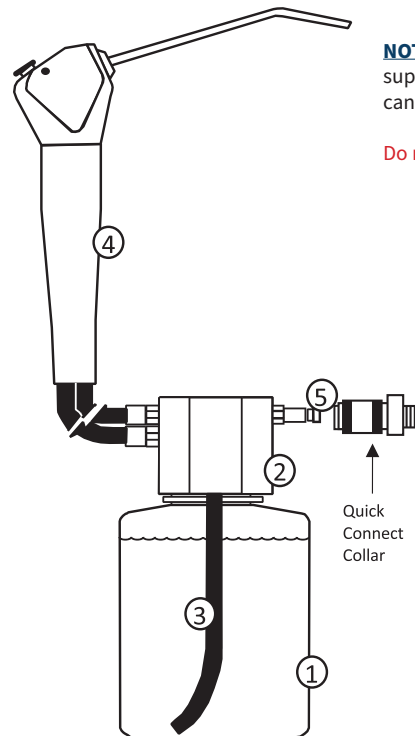
1. Unpack tubing and delivery system components.
2. The unit is delivered non-sterile. Follow steps 6 through 9 for “Routine Operation - Cleaning & Sterilizing Instructions”.
3. Proceed to “Routine Operation” instructions.

## Routine Operation:

1. Fill the bottle with sterile water. **Do not use saline solution.** Do not fill the neck of the bottle.
2. Screw the bottle into Control Head. Ensure the Dip Tube is not pinched and is below the fluid level in the bottle.
3. Insert the Quick Connect fitting on the dental unit until it clicks.
4. Set the Air / Water Syringe into appropriate tool holder on the dental unit.
5. The system is now ready to use.
6. To remove unit, follow “Routine Operation - Cleaning & Sterilizing Instructions”.

**NOTE:** Do not use sterile pour bottles sourced from other suppliers. Only 250 ml (8 oz.) bottles supplied by AquaSept™ can be used.

**Do not use saline solution.**



### Image Key

- ① Bottle
- ② Control Head
- ③ Dip Tube
- ④ Air / Water Syringe
- ⑤ Quick Connect

# Cleaning & Sterilizing Instructions

The recommended procedure for cleaning and sterilizing the AquaSept™ units and components, including Air / Water Syringe and Handpiece units, Control Heads, Tubing and Bottles, is described below.

## Prior to Initial Use - Cleaning & Sterilizing Instructions:

The unit is delivered non-sterile. Prior to first use, follow steps 6 through 9 for “Routine Operation - Cleaning & Sterilizing Instructions.”

## Routine Operation - Cleaning & Sterilizing Instructions:

1. Flush room temperature water (20-25°C) through line for a minimum of 30 seconds using Utility (tap) water.
2. Disconnect unit by pushing the Quick Connect collar towards the dental unit to release. Unscrew bottle from Control Head and empty water from bottle. Replace bottle and reconnect unit. Flush the entire unit for a minimum of 30 seconds to purge water from line.
3. Unscrew bottle from Control Head.
4. Prepare a cleaning solution using room temperature utility water and 1 – 4 mL of a neutral pH enzymatic detergent.
5. Soak the entire unit in the container of prepared solution for 1 minute. Use a soft brush to manually clean external surface of unit and components in order to remove any particles or debris for 1 minute.
6. Rinse the entire unit with utility water for 30 seconds to remove detergent.
7. Visually inspect the entire unit for any residual soil/damage.
8. Towel dry all components.
9. Place unit and components in one of the following:
  - Cassette wrapped with FDA cleared CSR wrap
  - Sterilization pouch
10. **Autoclave parameters:**
  - Gravity: 132°C for 15 minutes with a 30 minute dry cycle
  - Prevacuum: 132°C for 4 minutes with a 30 minute dry cycle
11. Allow unit and components to complete the dry cycle in autoclave.
12. Allow unit and components to cool to the touch before handling.
13. Allow bottle to cool completely before applying any caps.



**NOTE:** Do not allow components to touch the sides of the autoclave.

## IMPORTANT NOTICE:

- **Do not use any chemical solutions, chlorine-based cleaners or saline solution with AquaSept™ units. The water pathway may become compromised if the above solutions are used on AquaSept™ units.**
- **Do not exceed the autoclave manufacturer’s guidelines for load capacity.**
- **Visually inspect your AquaSept™ system for tears or holes in the tubing before each use. If any of these defects are observed, do not use the system. If any other defects are observed, do not use the system. Contact technical support at 888.539.3907 for instructions on how to return the system for repair.**
- **Ensure autoclave is properly cleaned, maintained and calibrated.**
- **Air Quality: Dry and filtered compressed air, CO<sub>2</sub>, N<sub>2</sub> or medical grade air are recommended to ensure the long working life of unit. Maintain the quality of compressed air by performing regular maintenance of the compressor according to compressor manufacturer’s recommendations.**

*AquaSept™ units are intended for professional use only by a licensed dental practitioner for general dentistry work.*