

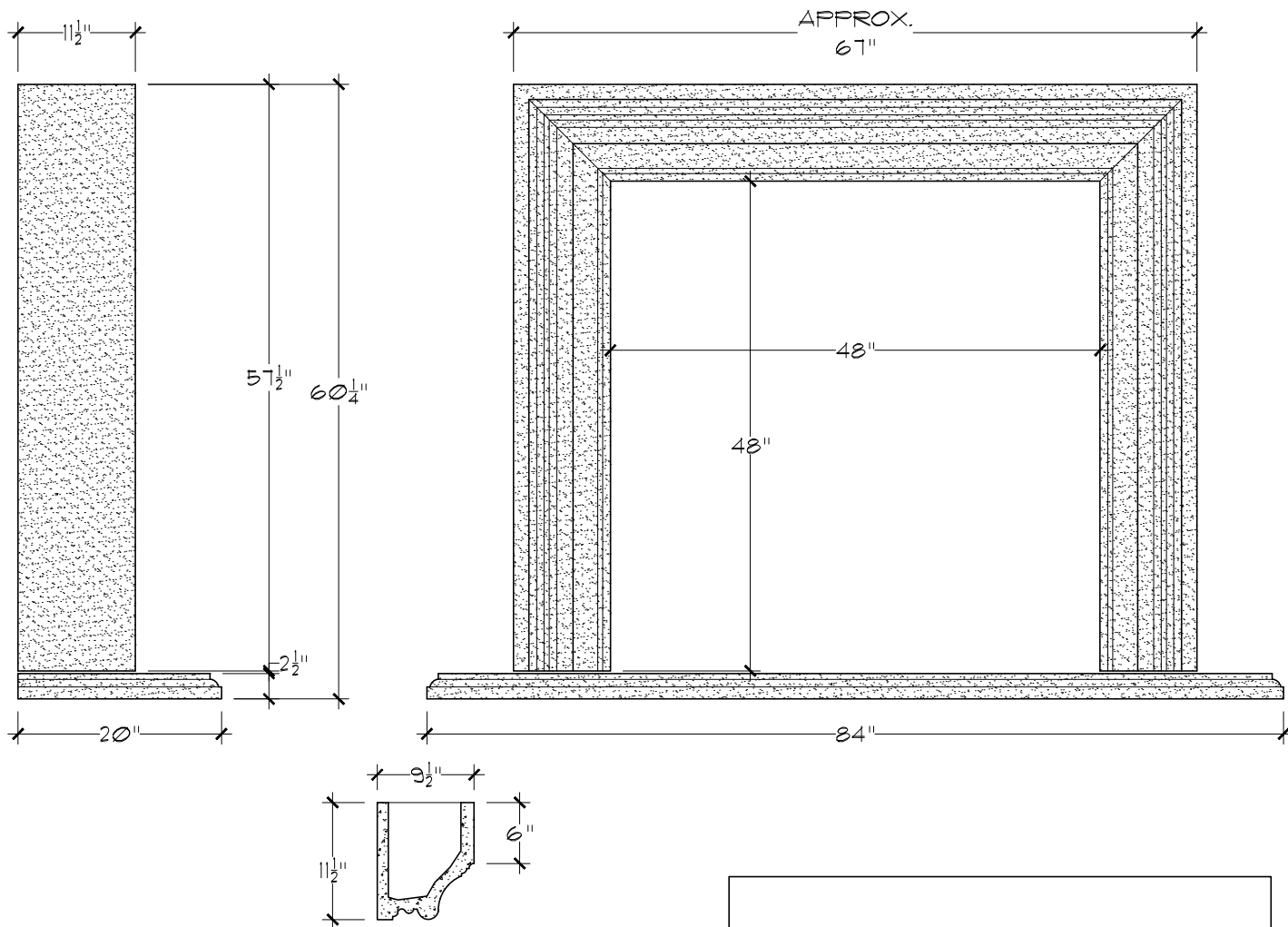
# STUDIO DESIGN Works

Classic Architectural Cast Stone

230 E. DYER RD. STE. 'F'-SANTA ANA-CA-92707  
 PH: 714-862-1244 www.studiodesignworks.com

## Bryant 48

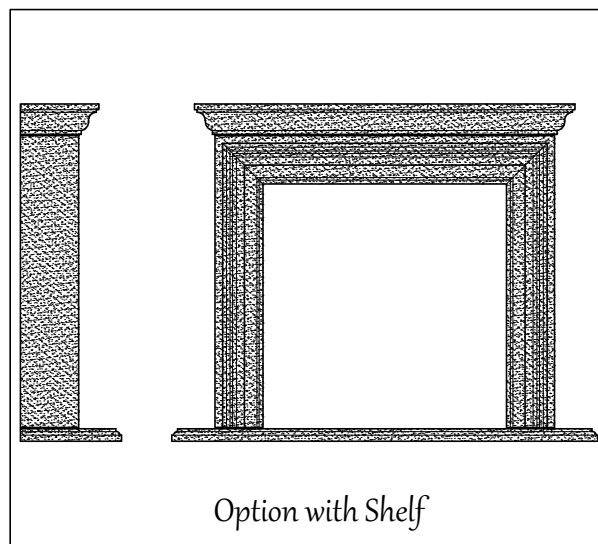
FM 190-48



### Standard Dimensions

Scale: 3/4" = 1'-0"

- \* Overall Dimensions: 67"W - 57 1/2"H - 11 1/2"D
- \* Inside Dimensions: 48"W - 48"H
- \* Standard Hearth: 84"W - 2 1/2"H - 20"D
- \* Optional: Mantel Shelf
- \* Adjustable width w/ grout joints
- \* Adjustable height



DUE TO THE NATURE OF THE PRODUCT ALL DIMENSIONS ARE APPROXIMATE AND SUBJECT TO CHANGE WITHOUT NOTICE. COPYRIGHT © STUDIO DESIGN WORKS 2015