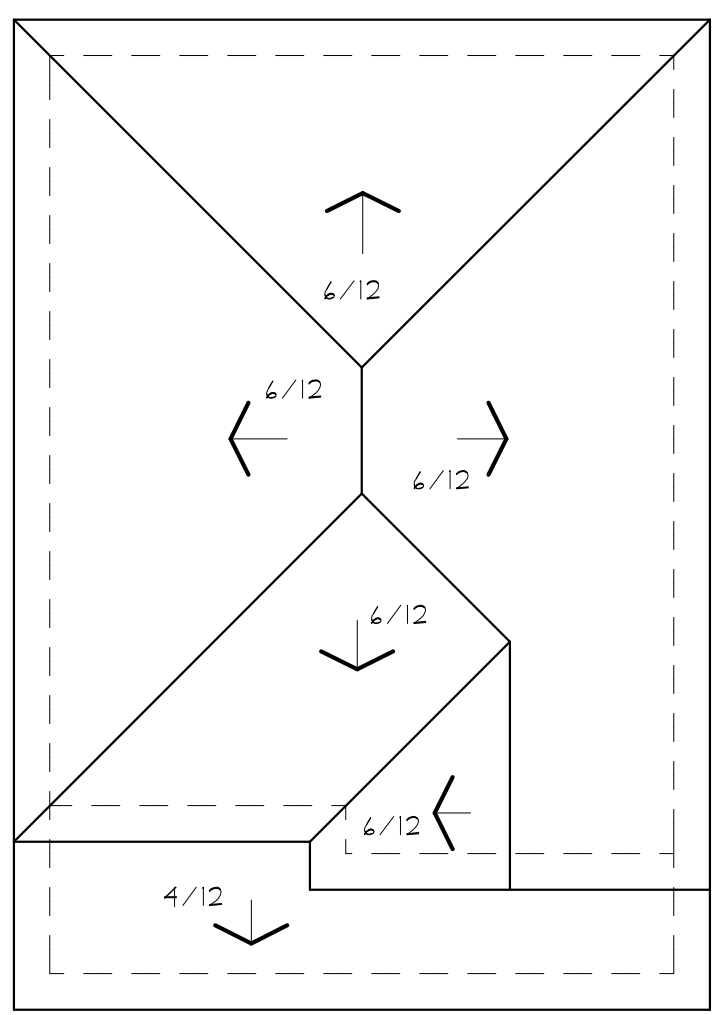
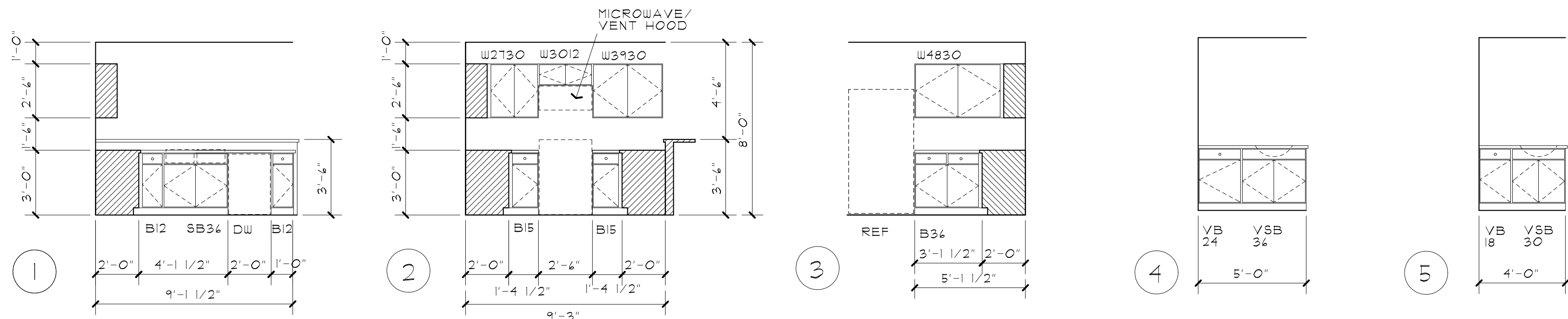


CONSTRUCTION  
ISSUE

AREA CALCULATIONS	
FIRST FLOOR AC AREA	600 SQ.FT.
SECOND FLOOR AC AREA	110 SQ.FT.
TOTAL AC AREA	1370 SQ.FT.
GARAGE AREA	328 SQ.FT.
PORCH AREA	61 SQ.FT.
TOTAL SLAB AREA	995 SQ.FT.

INTERIOR ELEVATIONS

SCALE: 1/4" = 1'-0"

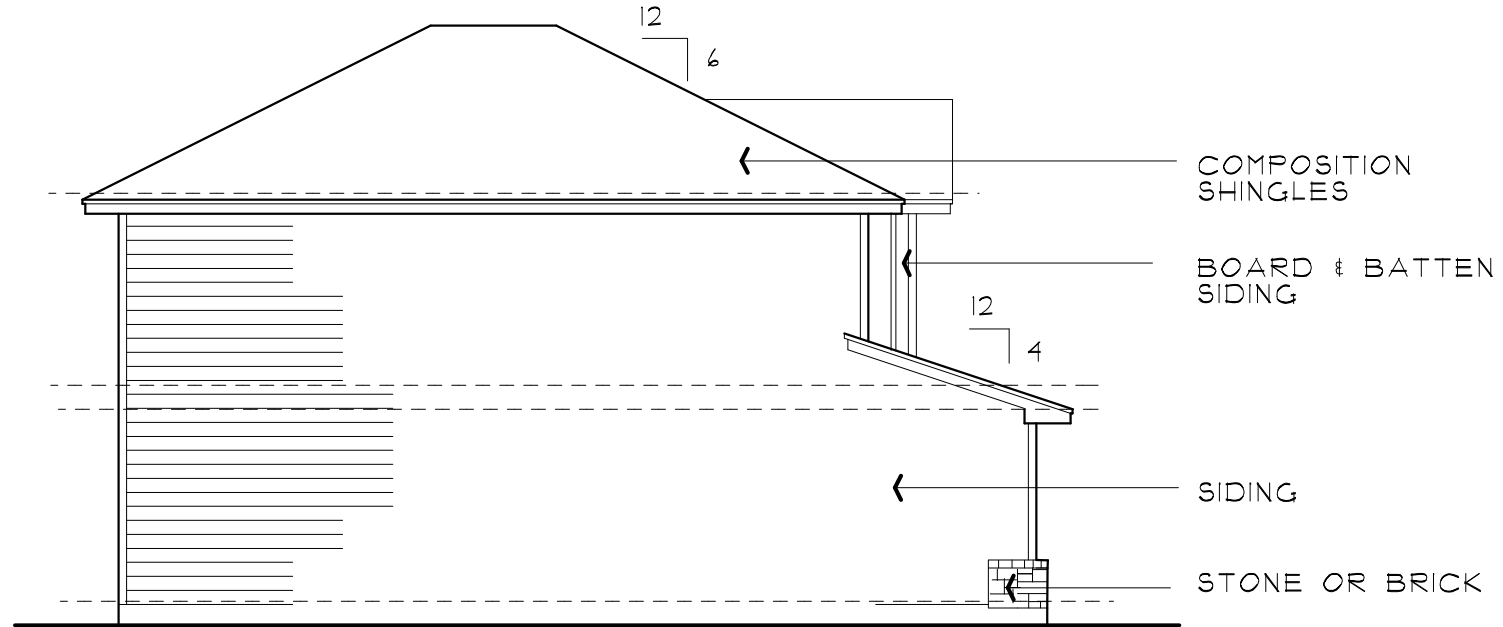


ROOF PLAN

SCALE: 1/8" = 1'-0"

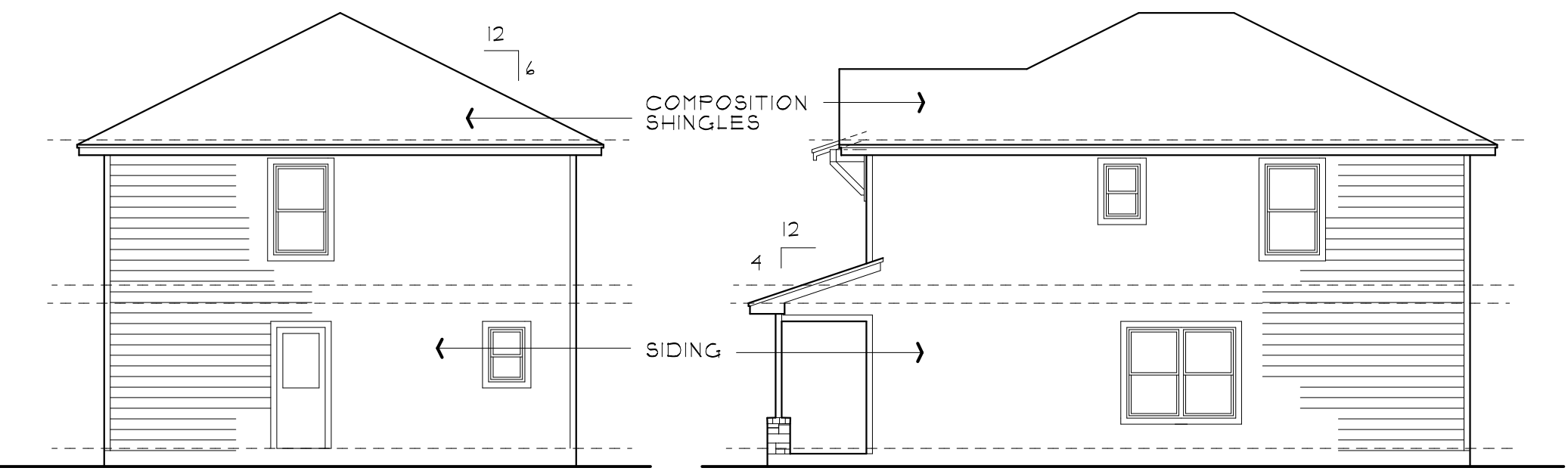
NOTES:

INSTALL SOFFIT AND RIDGE VENTS TO PROVIDE  
REQUIRED ATTIC VENTILATION.  
OVERHANG IS 18" FROM STUDS.



LEFT SIDE

SCALE: 1/8" = 1'-0"

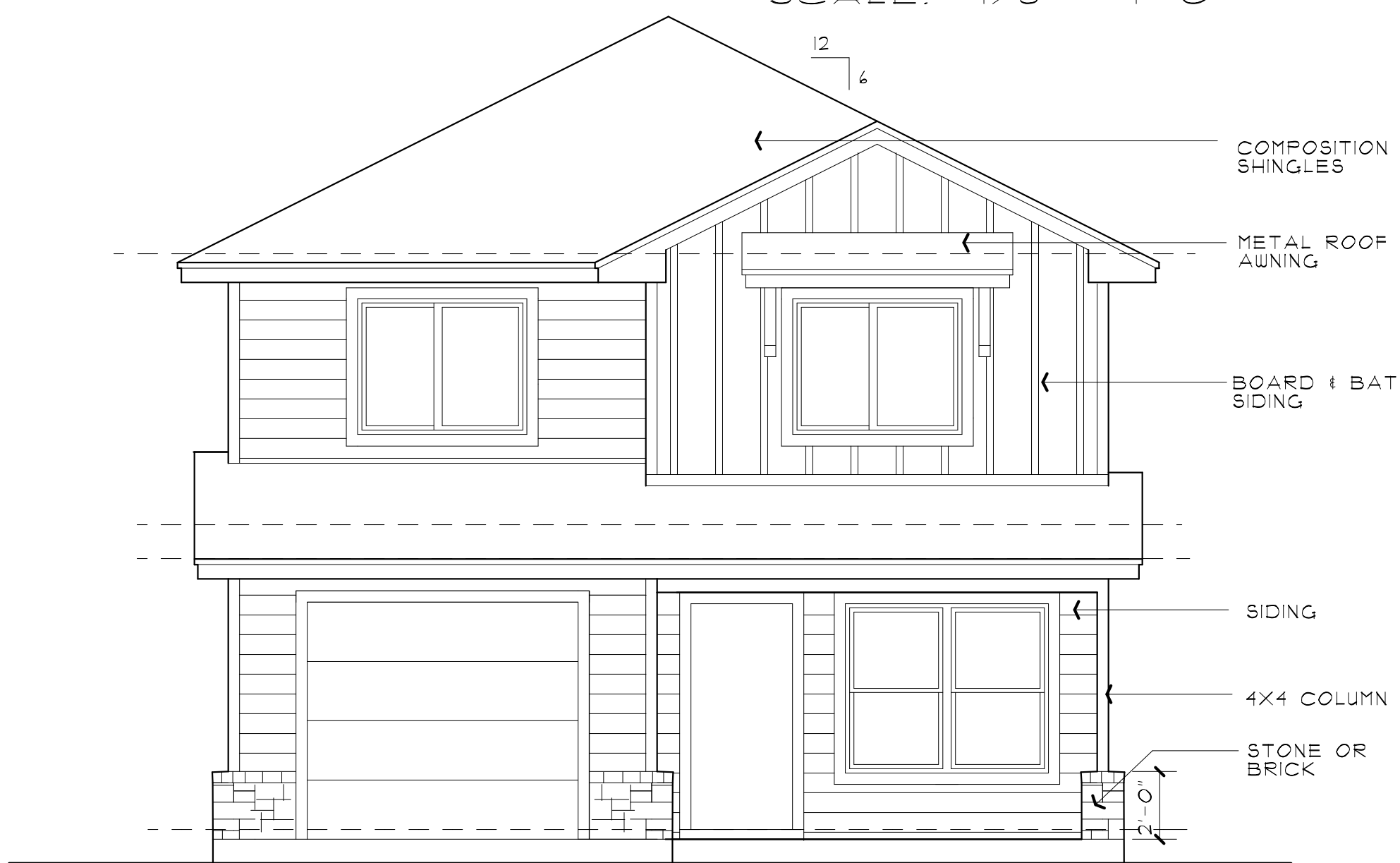


NEAR

SCALE: 1/8" = 1'-0"

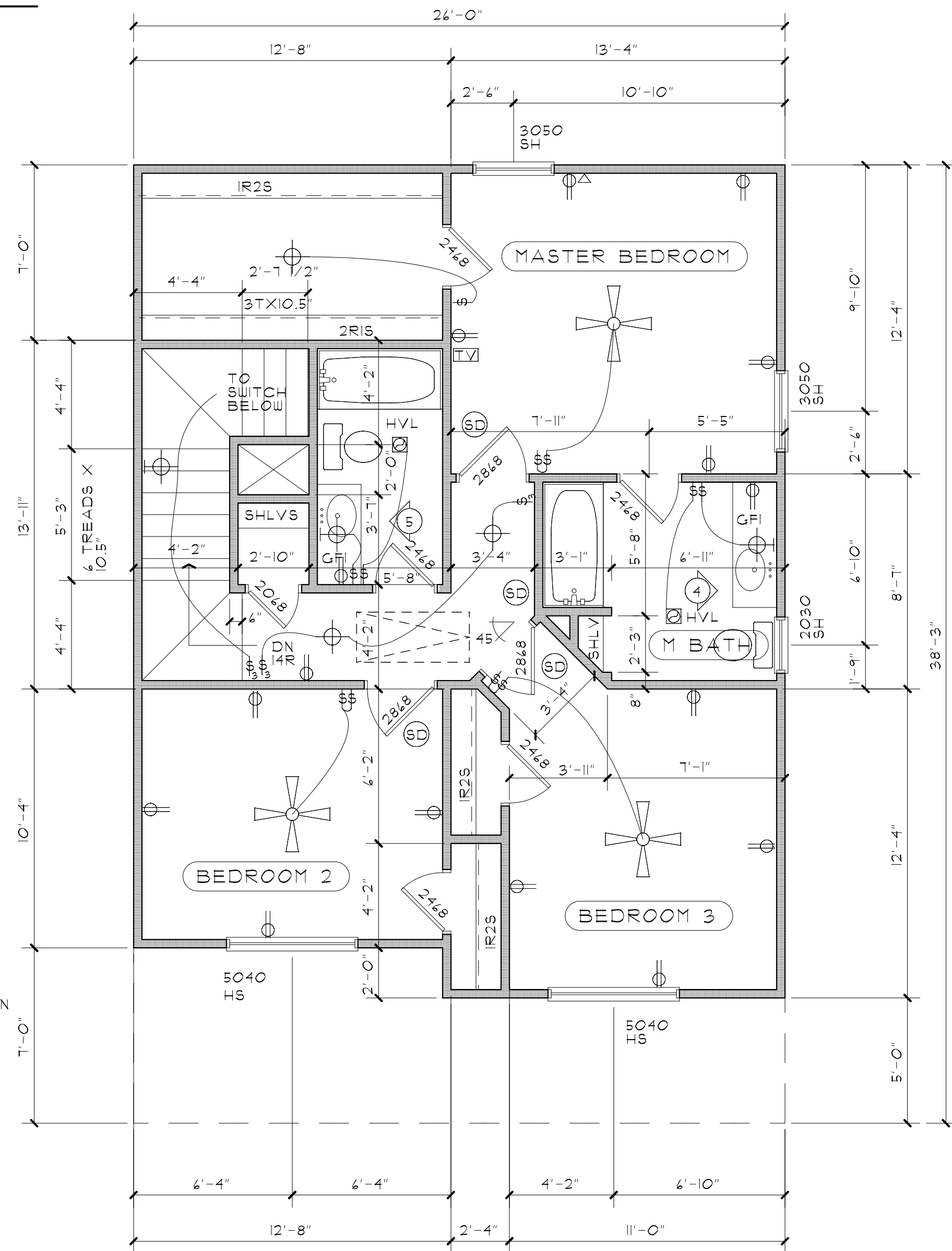
RIGHT SIDE

SCALE: 1/8" = 1'-0"



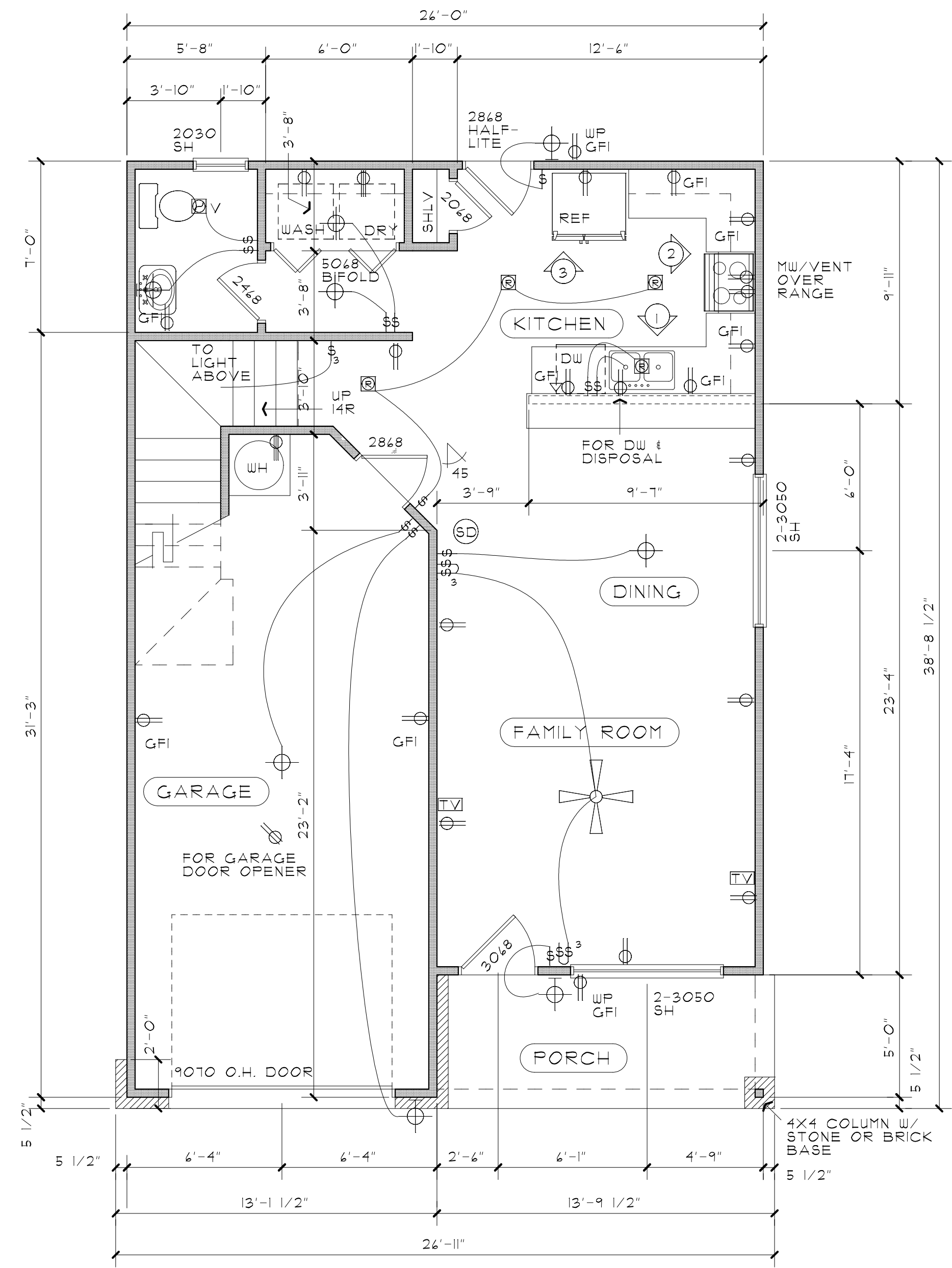
FRONT ELEVATION

SCALE: 1/4" = 1'-0"



SECOND FLOOR PLAN

SCALE: 1/4" = 1'-0"



FIRST FLOOR PLAN

SCALE: 1/4" = 1'-0"