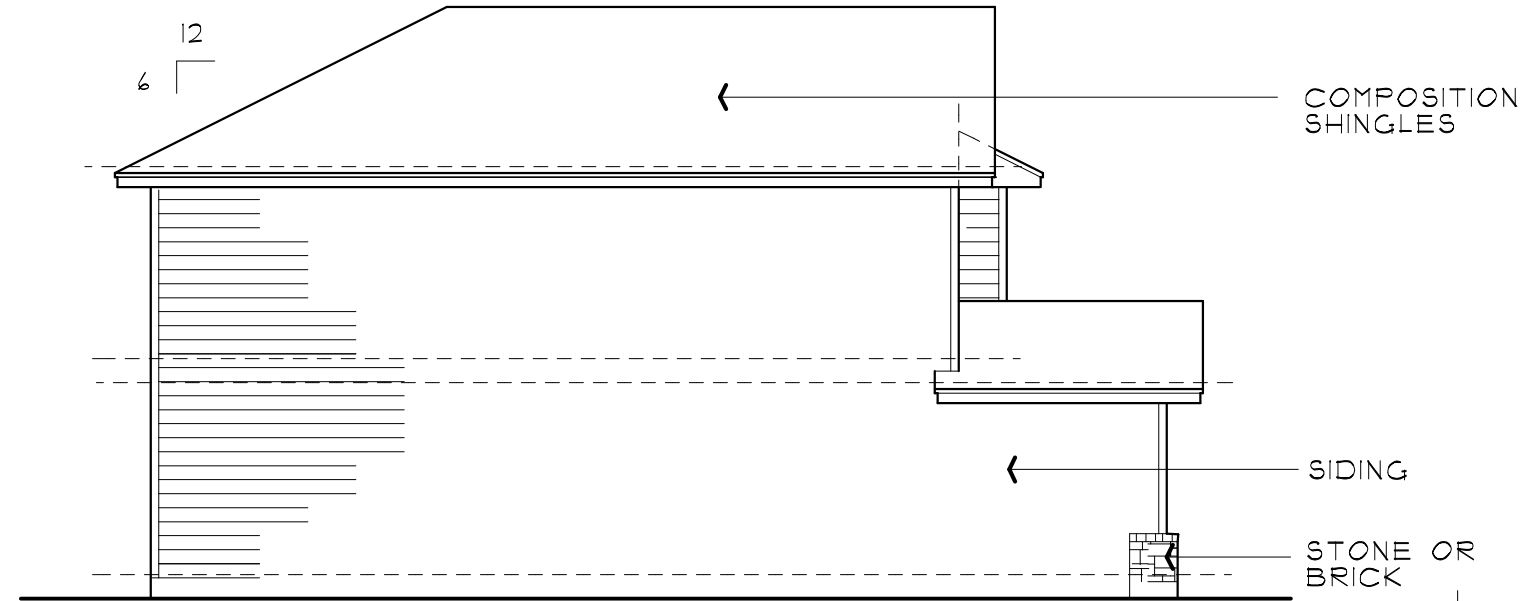
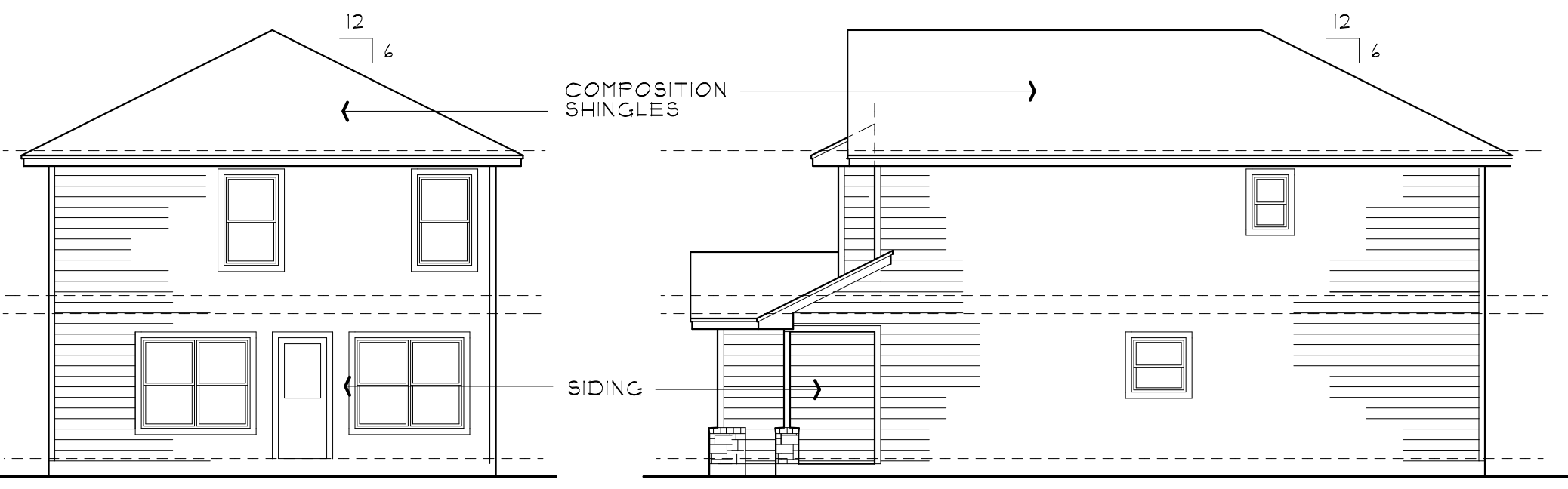


ROOF PLAN
SCALE: 1/8" = 1'-0"

NOTES:
ALL ROOF AREAS ARE 4/12 SLOPE.
INSTALL SOFFIT AND RIDGE VENTS TO PROVIDE
REQUIRED ATTIC VENTILATION.
OVERHANG IS 18" FROM STUDS.



LEFT SIDE
SCALE: 1/8" = 1'-0"

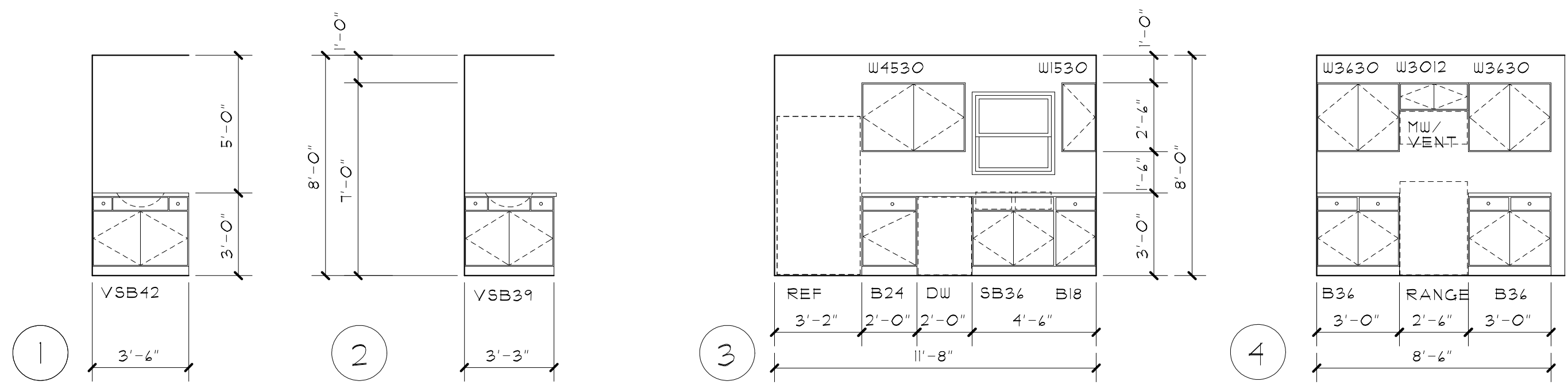


NEAR
SCALE: 1/8" = 1'-0"

RIGHT SIDE
SCALE: 1/8" = 1'-0"

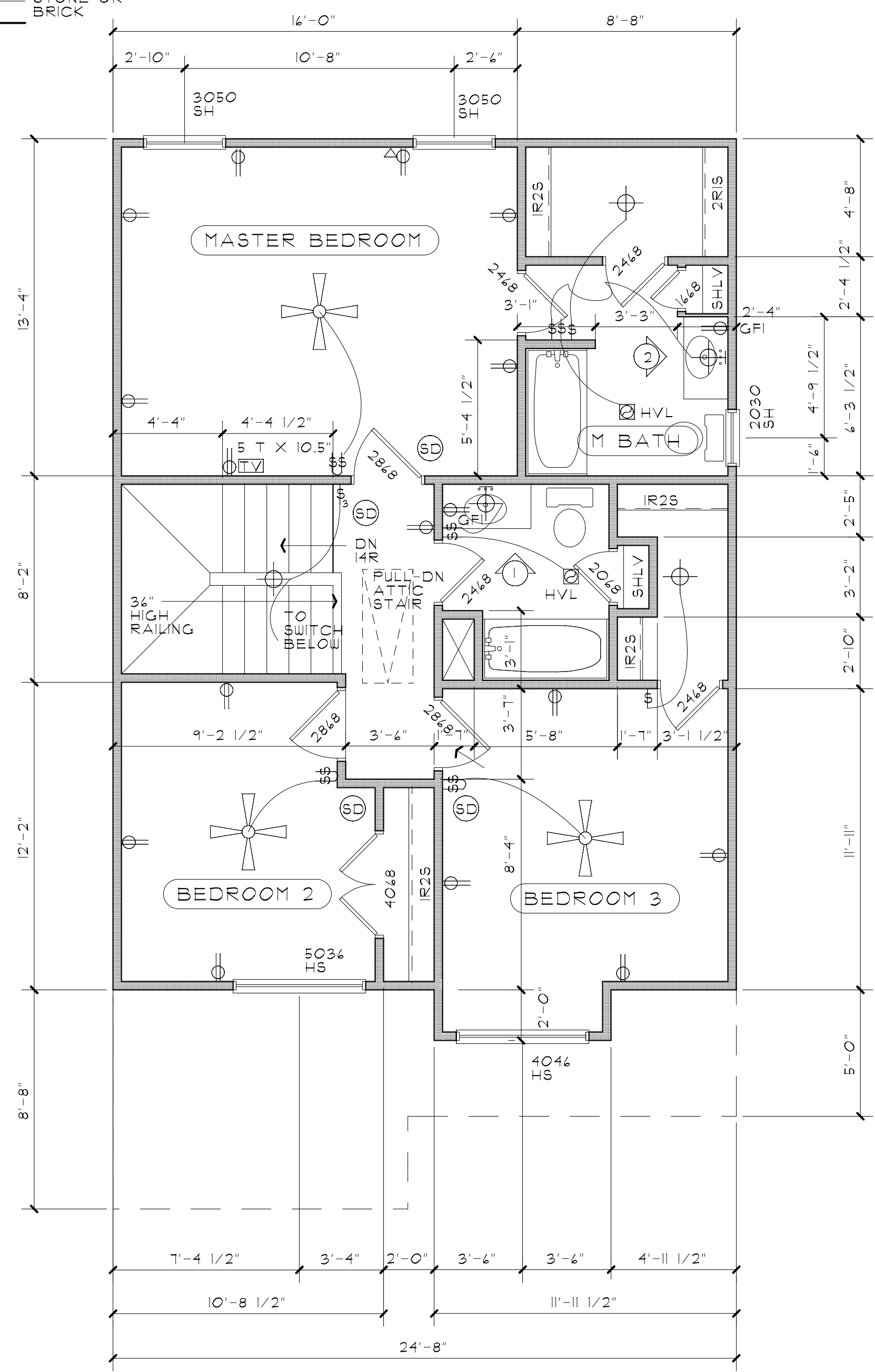


FRONT ELEVATION
SCALE: 1/4" = 1'-0"

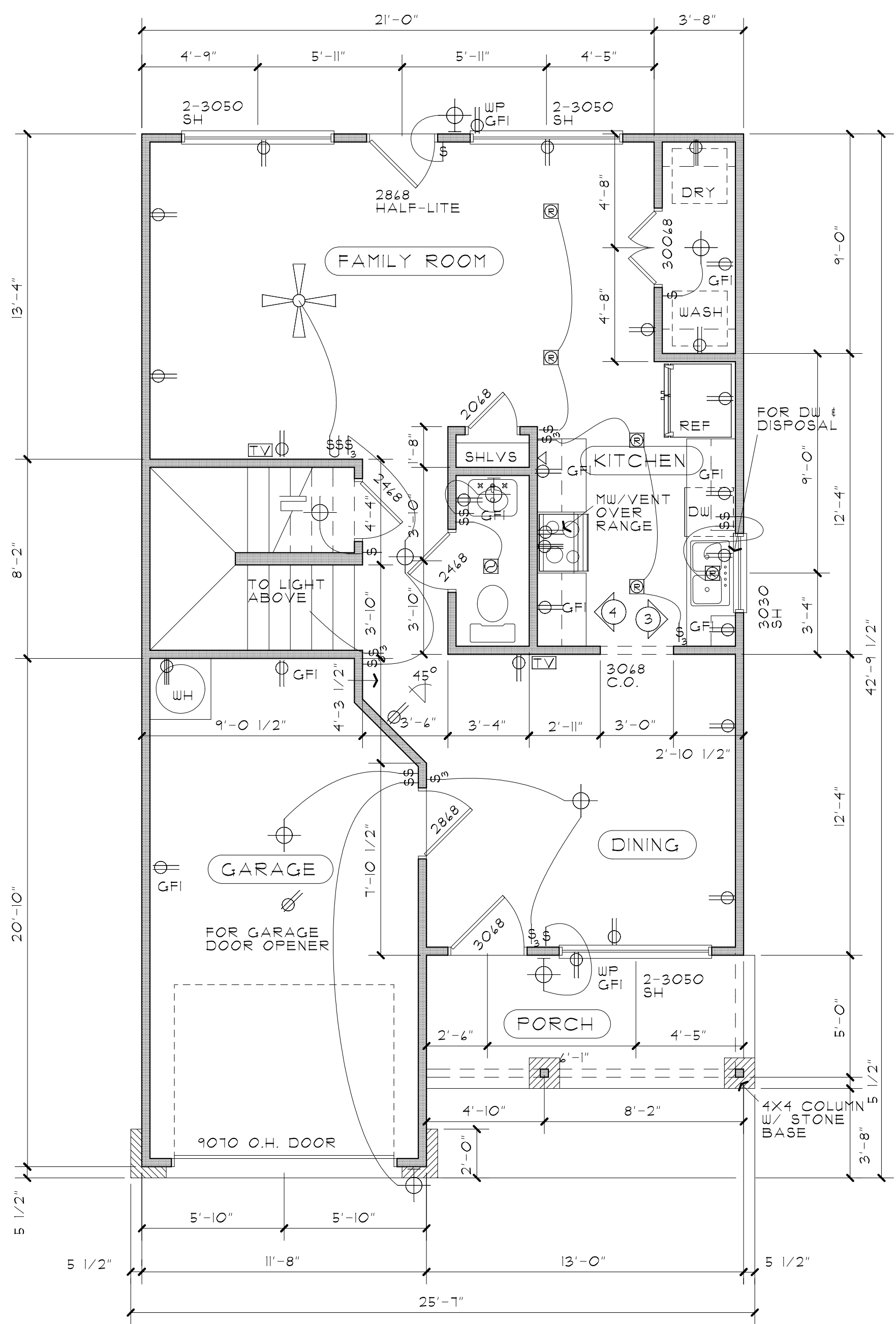


INTERIOR ELEVATIONS
SCALE: 1/4" = 1'-0"

AREA CALCULATIONS	
FIRST FLOOR AC AREA	101 SQ.FT.
SECOND FLOOR AC AREA	180 SQ.FT.
TOTAL AC AREA	1481 SQ.FT.
GARAGE AREA	231 SQ.FT.
PORCH AREA	73 SQ.FT.
MASONRY LUG AREA	1 SQ.FT.
TOTAL SLAB AREA	1012 SQ.FT.



SECOND FLOOR PLAN
SCALE: 1/4" = 1'-0"



FIRST FLOOR PLAN
SCALE: 1/4" = 1'-0"