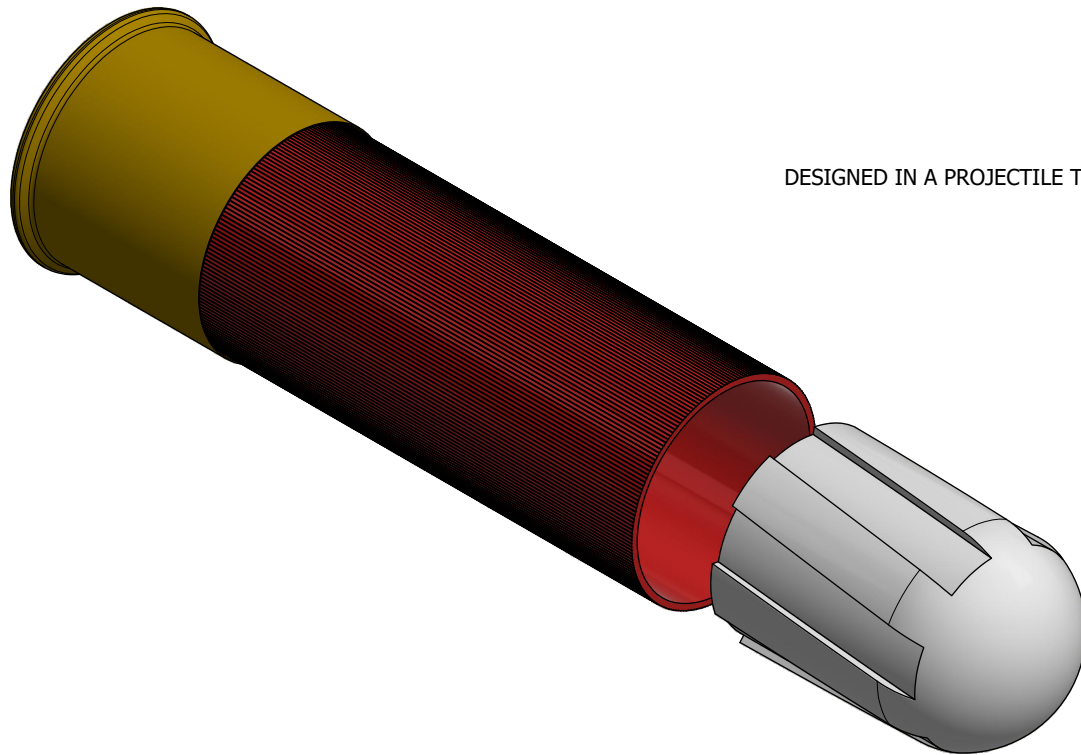
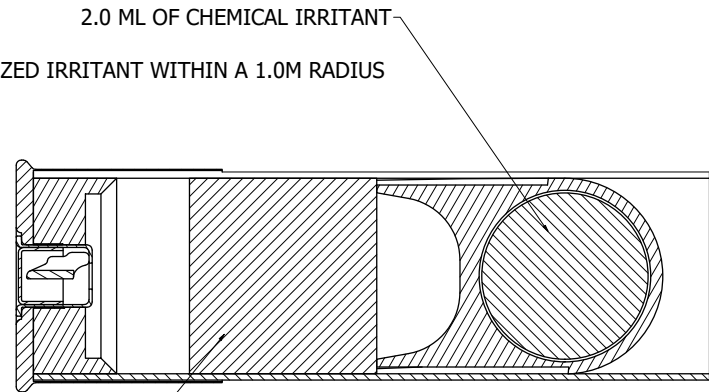


CHEMICAL IRRITANT ATTENUATED ENERGY PROJECTILE (CIAEP)



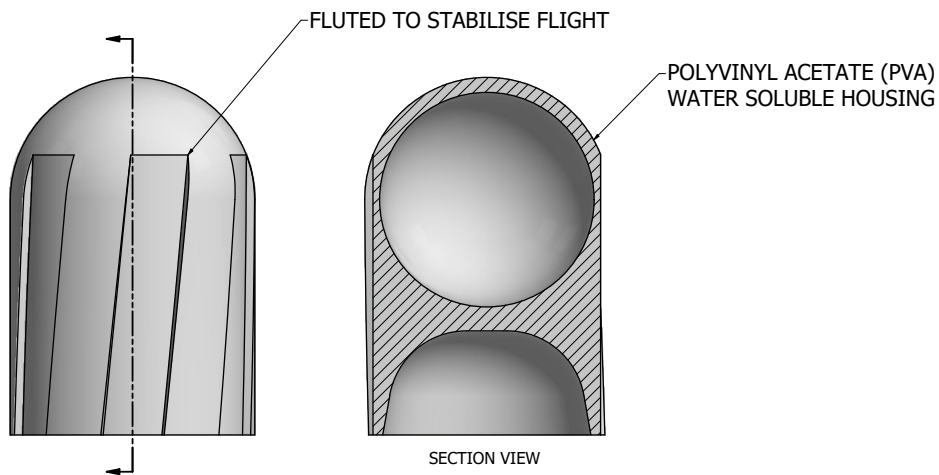
DESIGNED IN A PROJECTILE TO DISPERSE ATOMIZED IRRITANT WITHIN A 1.0M RADIUS



2.0 ML OF CHEMICAL IRRITANT

FIBRE WAD

SECTION VIEW



FLUTED TO STABILISE FLIGHT

POLYVINYL ACETATE (PVA)
WATER SOLUBLE HOUSING

SECTION VIEW

2.0ML ORGANIC NON-NEWTONIAN FLUID EXCIPIENT, TRANSFERRING KINETIC ENERGY

CONTAINING **CS** (2-CHLOROBENZALMALONONITRILE)

OR

PAVA (PELARGONYL VANILLYLAMIDE)

MULTIPLE COLORANTS TO AID IN ACCOUNTABILITY OF DISCHARGE AND IDENTIFICATION OF TARGET

