

Street Tidy

Technical Specification

The ESF Street Tidy is a solar powered outdoor stainless steel sectional litter bin. Integrating solar energy and smart sensors allows the infrared sensors to detect movement and illuminate the aperture lights when someone approaches in the hours of darkness.

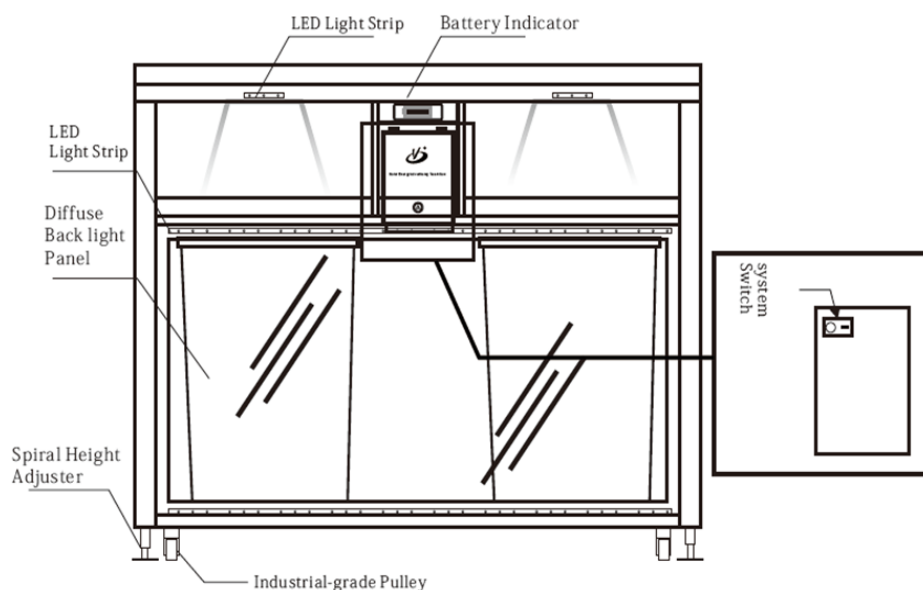
Not only making it convenient for people but also making the adverts or directions more striking as well. The solar panels store energy allowing just 7 hours of sunlight to provide energy for a full week. The lifetime of the solar panel is more than 20 years and there is space for four adverts around the bin which can be easily changed as required.

Configuration:

- Installed Power: 100W
- LED Backlight: 45W
- Solar Panel: 18V / 110W
- Battery: 12V / 100AH
- Doppler Sensor Control System

Dimensions:

- Height: 1100mm
- Length: 1350mm
- Width: 665mm
- Capacity: 2x 90L



The Smart sensor system automatically controls the slot lights when people approach.

Solar energy, smart sensor and surrounding advertising light-box could maximize your benefits.

The top solar panels store energy efficiently that only 5 hours recharging in the sunlight could fully provide its working.