



THE<sup>®</sup>  
ITALIAN  
LAB



## THE ITALIAN LAB

ITALIAN LAB produce e commercializza elementi di arredo urbano e contenitori per la raccolta differenziata. I prodotti si distinguono per l'unicità del **design**, per la **qualità** dei materiali impiegati e per la flessibilità delle **personalizzazioni**. Oltre ai numerosi prodotti presenti nel catalogo ITALIAN LAB offre la possibilità di realizzare prodotti su disegno o personalizzare gli articoli a piacimento del cliente.

ITALIAN LAB produces and sells street furniture and containers for the recycling collection. The products are distinguished by the uniqueness of the **design**, the high standard **quality** of the materials used and for the flexibility of the **customizations**. In addition to the various products in the catalog, ITALIAN LAB offers the possibility of creating customized products or customizing the items at the customer's convenience.

ITALIAN LAB produit et vend du mobilier urbain et des conteneurs pour la collecte sélective. Les produits se distinguent par la singularité du **design**, la **qualité** des matériaux utilisés et la flexibilité des **personnalisations**. ITALIAN LAB offre, outre les nombreux produits du catalogue, la possibilité de créer des produits personnalisés ou de personnaliser les articles à la convenance du client.



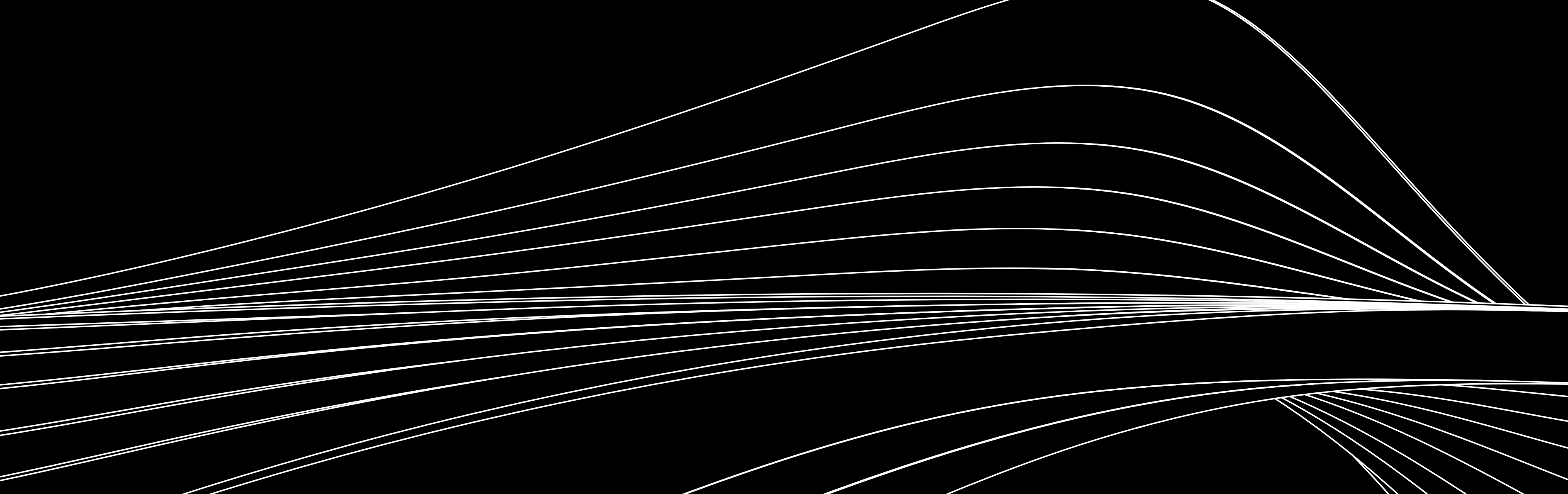
WE TRANSFORM PUBLIC SPACES  
IN PLEASANT SPACES

- 08 UHPC PRODUCTS  
34 LEATHER COLLECTION  
70 BENCHES  
PANCHINE  
152 MALL COLLECTION  
170 RAMAGE COLLECTION  
180 ELES COLLECTION  
192 CHARM COLLECTION  
198 LITTER BINS  
CESTINI  
222 BIKE RACKS  
PORTABICI  
238 ASHTRAYS  
GETTA SIGARETTE  
244 BOLLARDS  
DISSUASORI  
264 PLANTERS  
FIORIERE  
278 TREEGUARDS  
SALVAPIANTE  
290 DRINK FOUNTAINS  
FONTANE



# URBAN

# L I F E



**UHP C PRODUCTS**

DESIGNED BY ZAHA HADID DESIGN

# SERAC

PANCHINA / BENCH

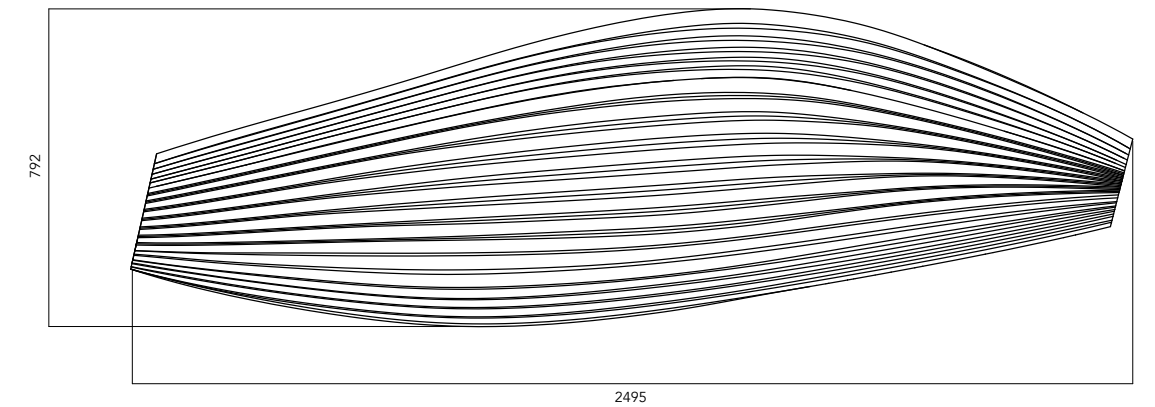
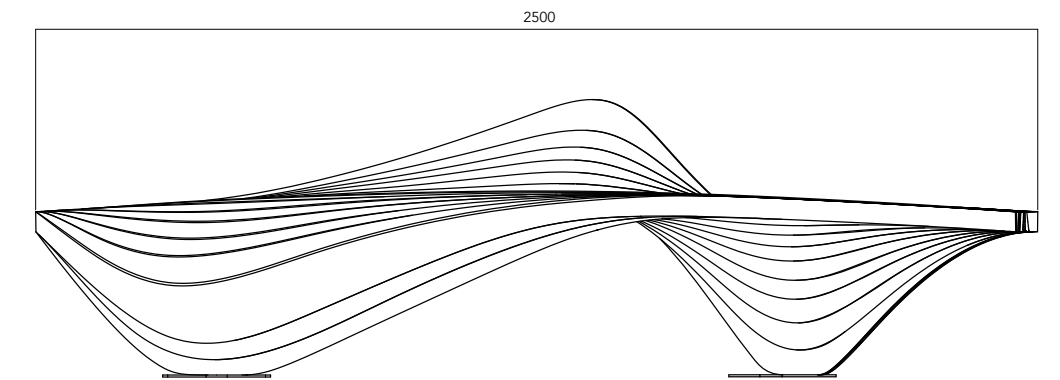
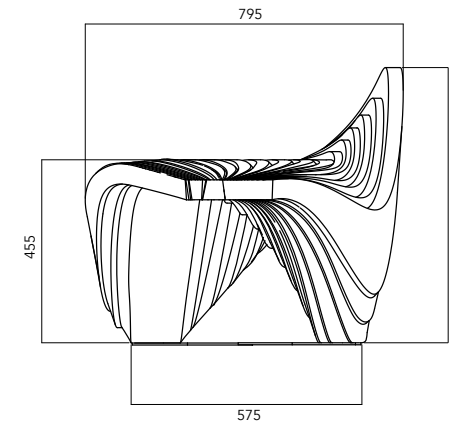
CODE UL - PNC - 101

Dimensions: L 2500 W 800 H 500 L 2500 W 800 H 500



picture credit to MHI

DESIGNED BY ZAHA HADID DESIGN

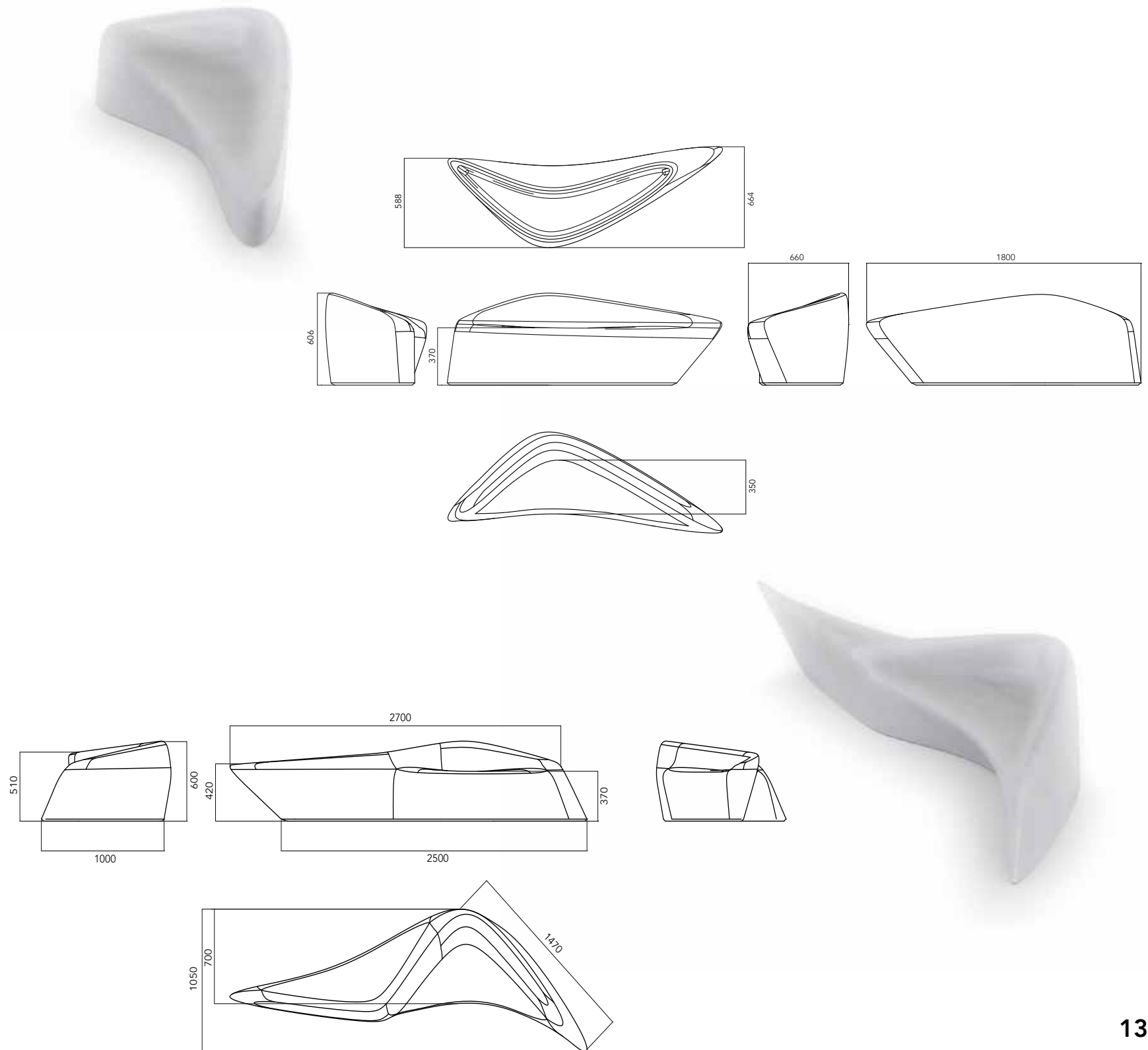


# CL BENCH SINGLE and DOUBLE

## PANCHINA / BENCH

CODE SINGLE UL - PNC - 102 CODE DOUBLE UL - PNC - 103

Dimensions: SINGLE L 1800 W 660 H 450 DOUBLE L 2700 W 1000 H 450

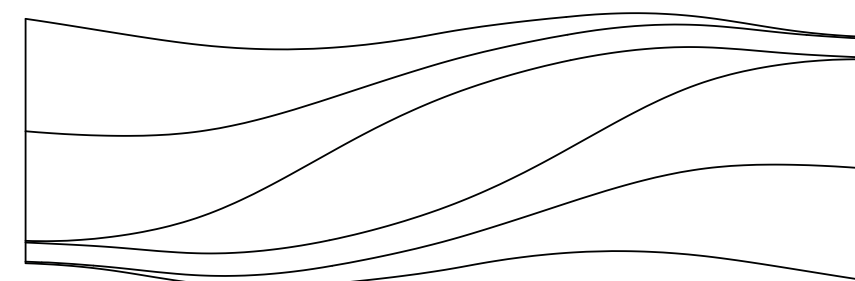
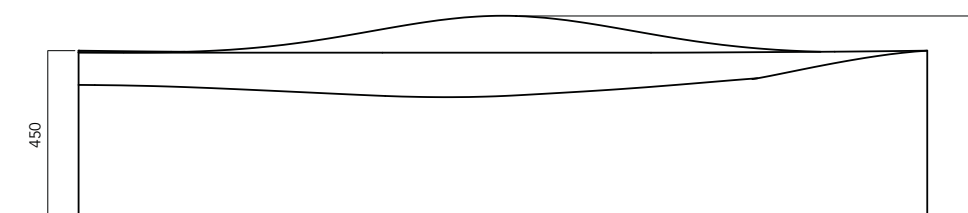
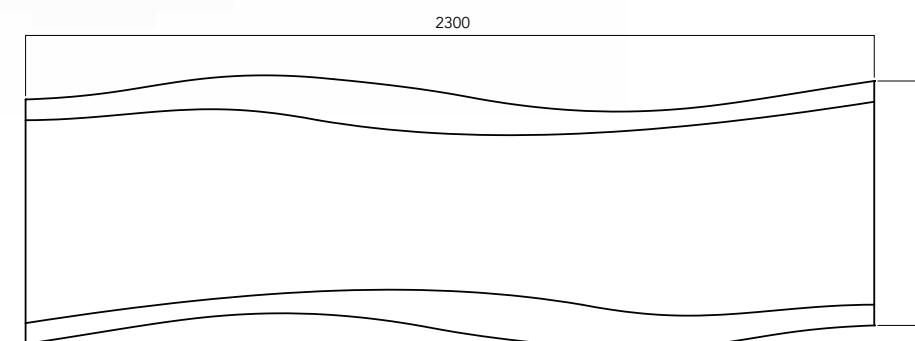
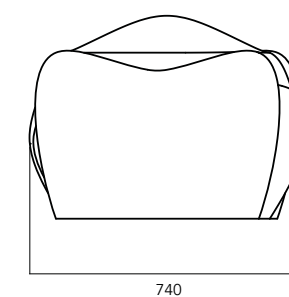
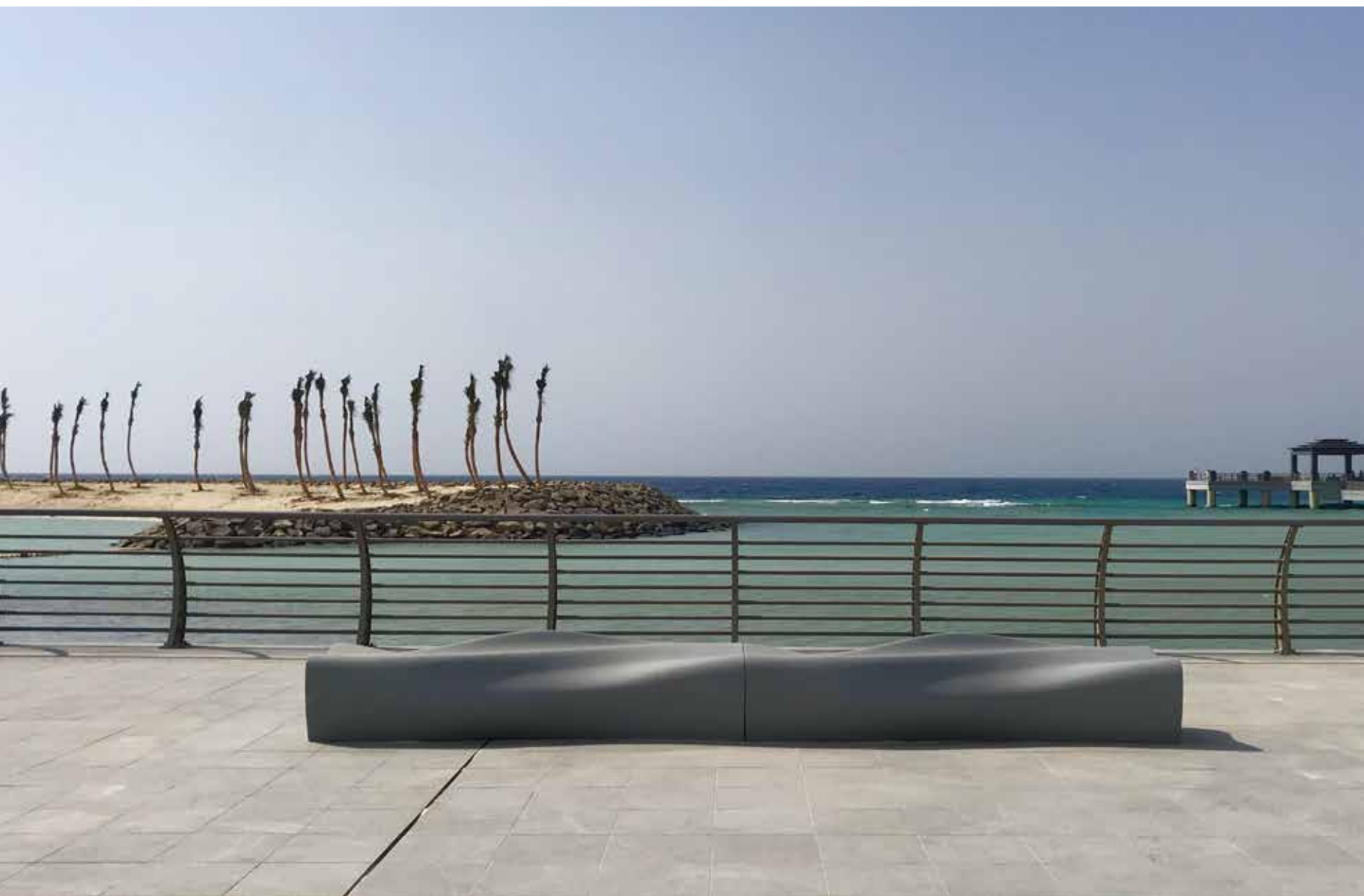


# DUNE and DUNE CURVE

PANCA / SEAT

CODE DUNE UL - PNC - 104    CODE DUNE CURVE UL - PNC - 105

Dimensions: L 2150 W 600 H 450    CURVE L 1300 W 660 H 450



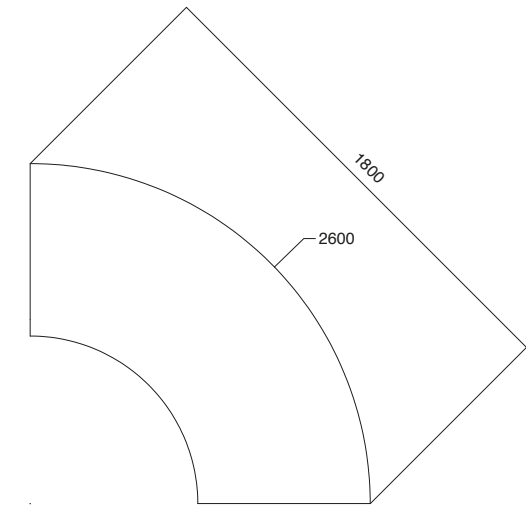
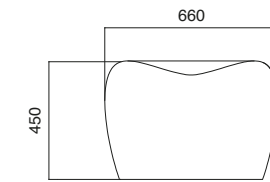
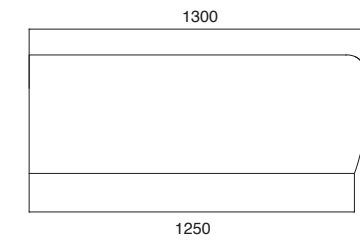


# DUNE and DUNE CURVE

PANCA / SEAT

CODE DUNE UL - PNC - 104    CODE DUNE CURVE UL - PNC - 105

Dimensions: L 2150 W 600 H 450    CURVE L 1300 W 660 H 450



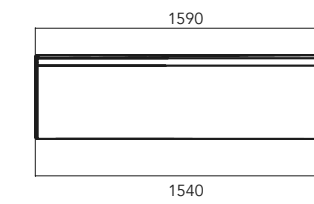
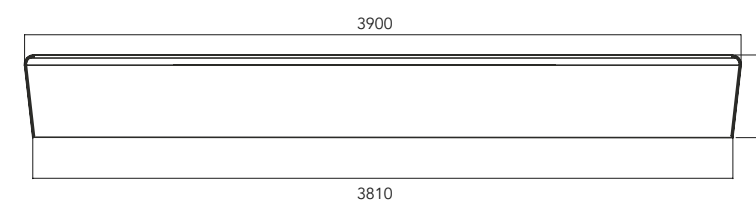
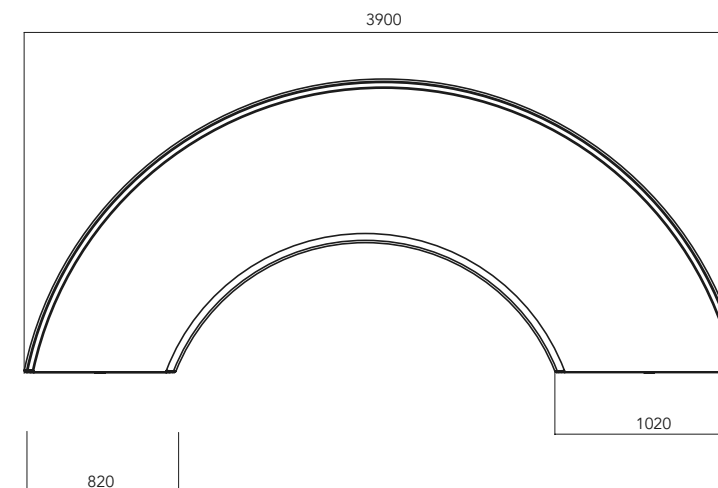


—  
**SEAT  
PLANTER**

PANCA / SEAT

CODE UL - PNC - 106DX  
UL - PNC - 106SX

Dimensions: D 3900 H 450



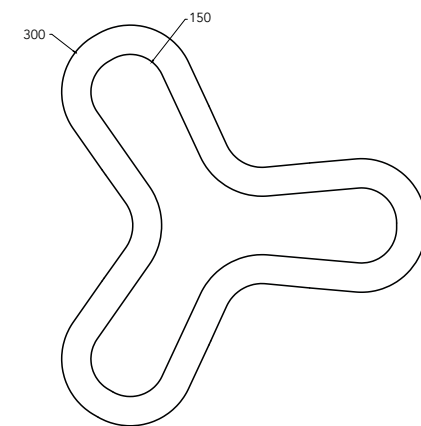
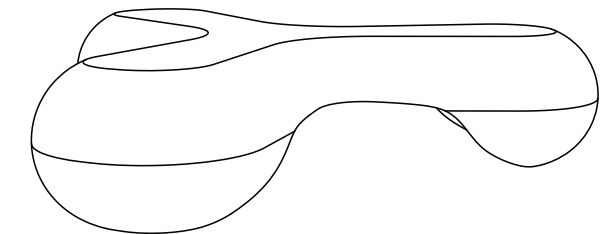
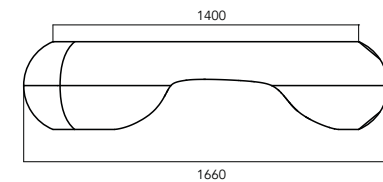
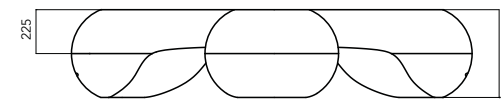
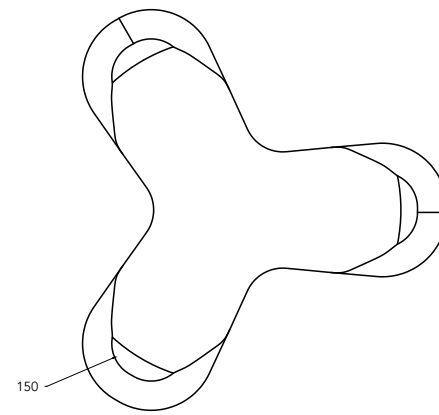


# TRIO

PANCA / SEAT

CODE UL - PNC - 107

Dimensions: D 1660 H 450





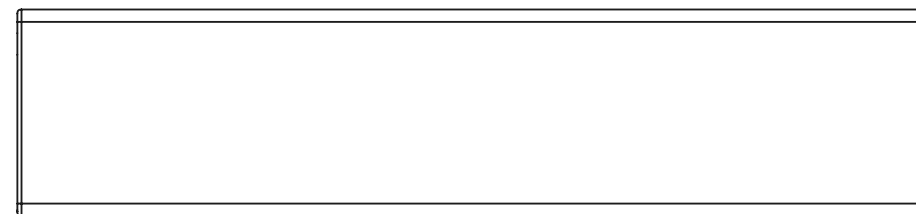
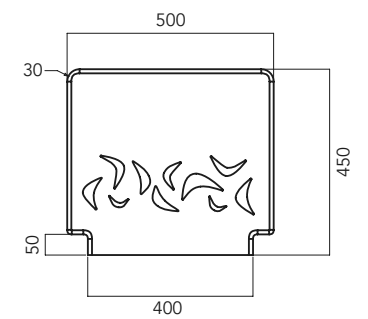
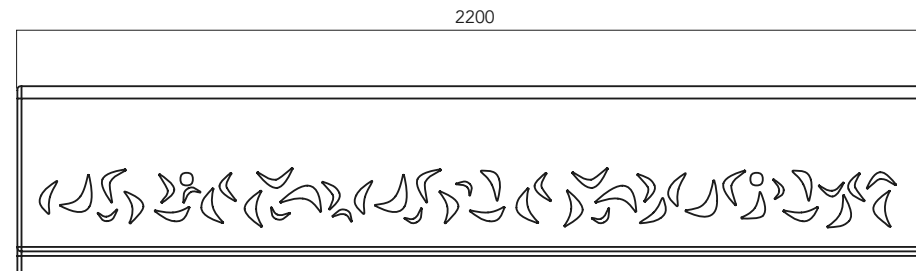
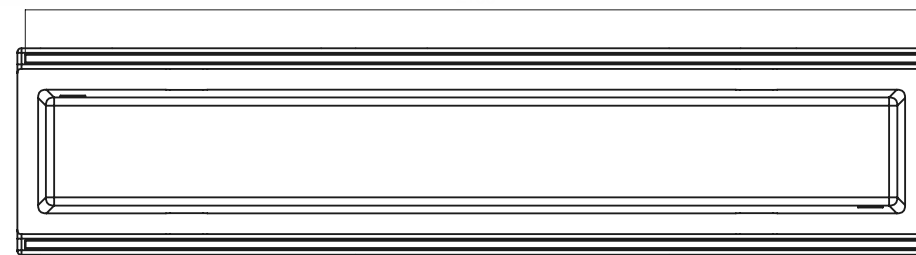
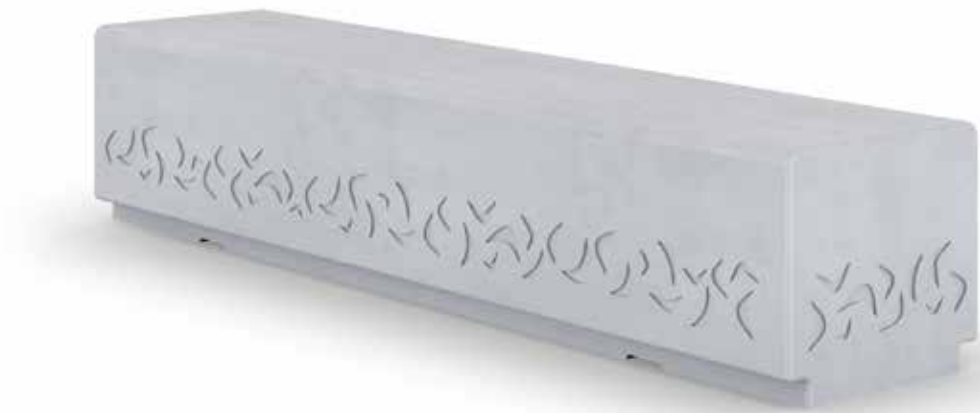
# MONOLITHE JJ

PANCA / SEAT

CODE UL - PNC - 108

Dimensions: L 2200 W 500 H 450

 **OPTIONAL** LUCE LED / LED LIGHT

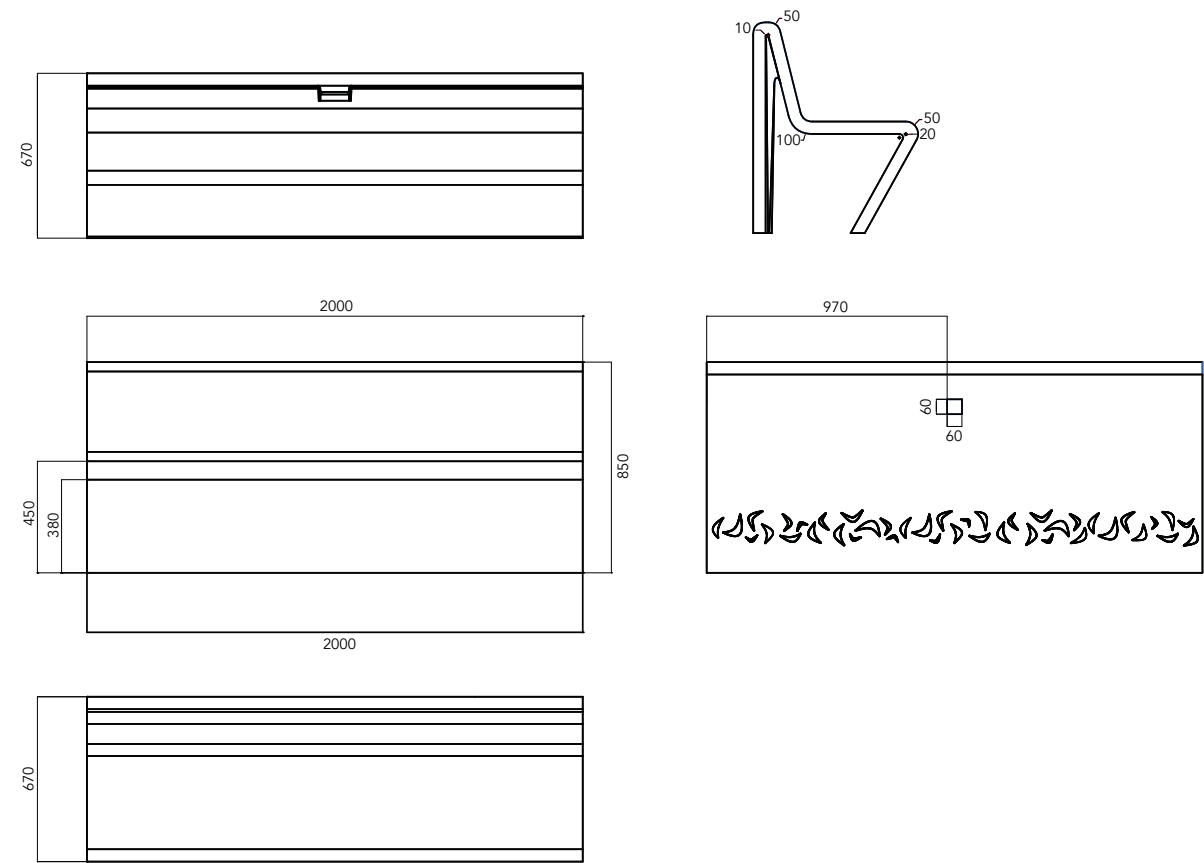


# JJ BACK BENCH

PANCHINA / BENCH

CODE UL - PNC - 109

Dimensions: L 2000 W 670 H 850



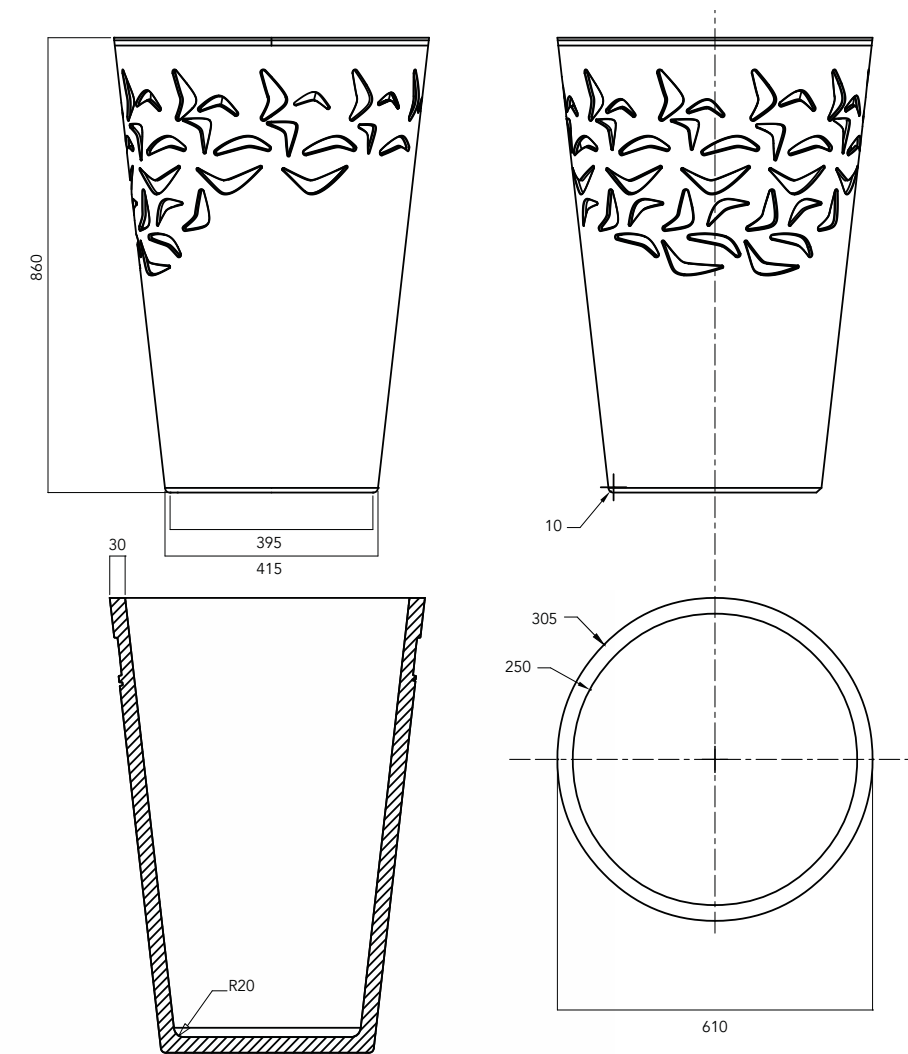


# JJ BIN

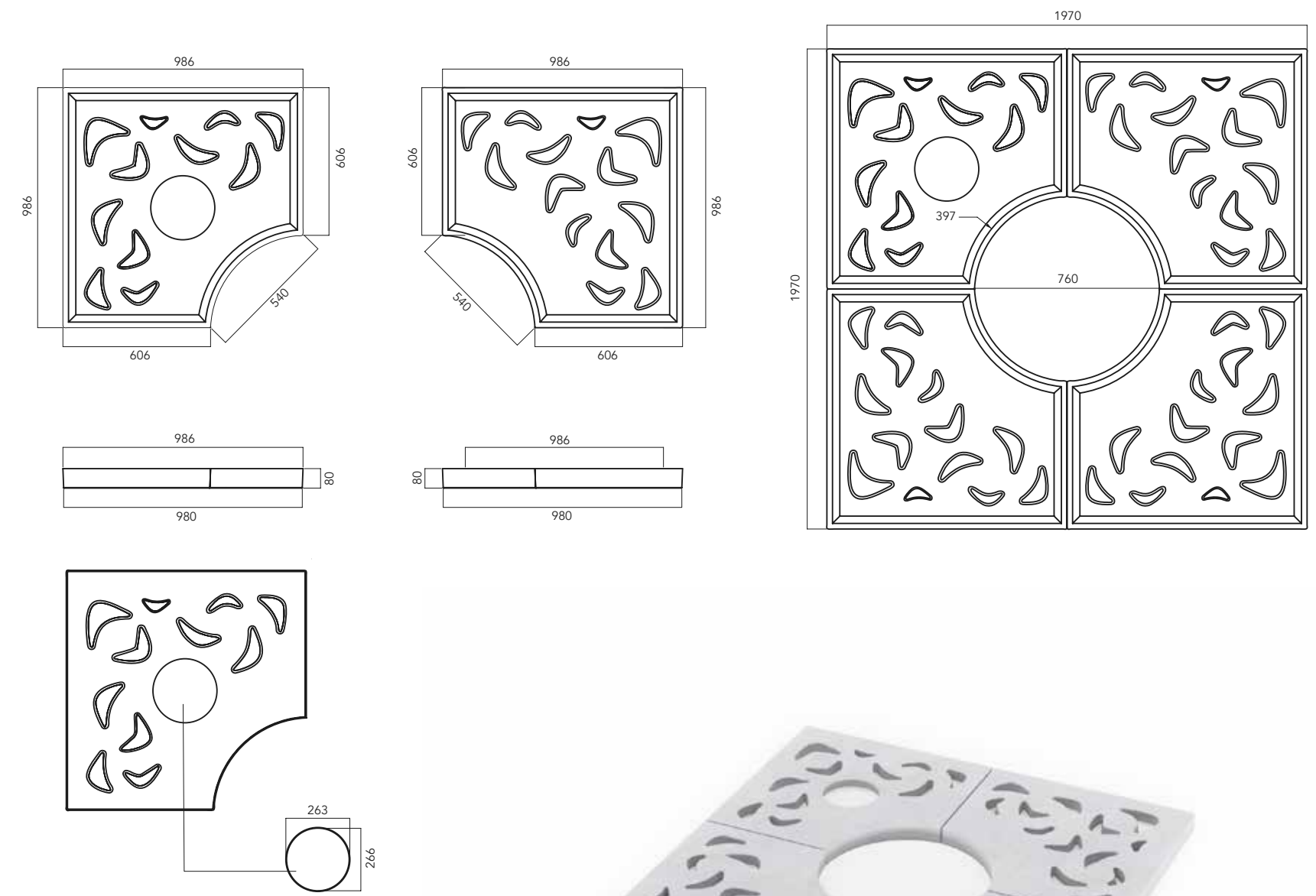
CESTINO / LITTER BIN

CODE UL - CST - 110

Dimensions: D 610 H 860



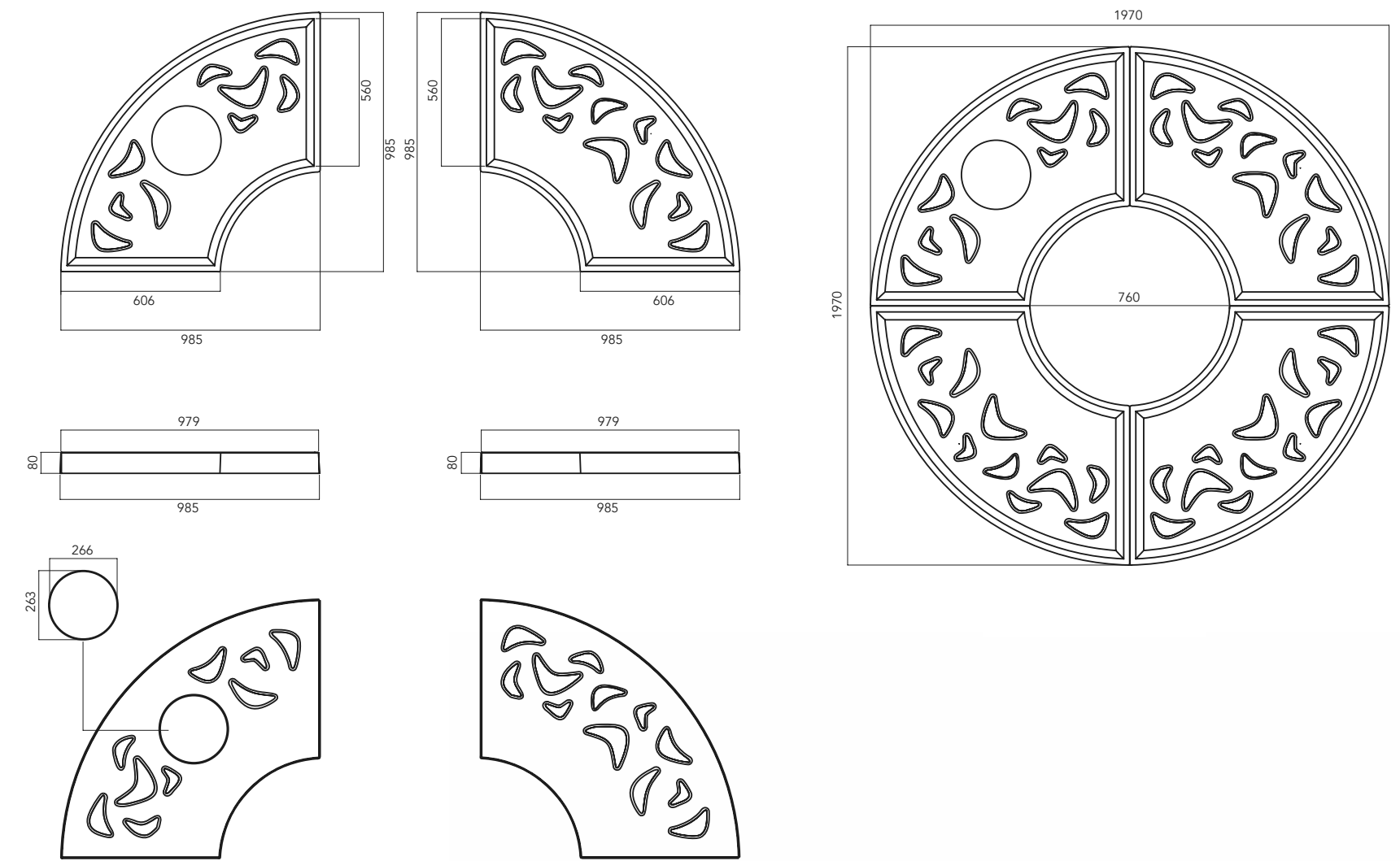
OPTIONAL COPERCHIO INOX / INOX LID



—  
**JJ**  
SALVAPIANTA /  
TREEGUARD

CODE UL - SLP - 111

Dimensions:  
1970x1970 Hole 760



—  
**JJ**  
SALVAPIANTA /  
TREEGUARD

CODE UL - SLP - 112

Dimensions:  
D 1970 Hole 760

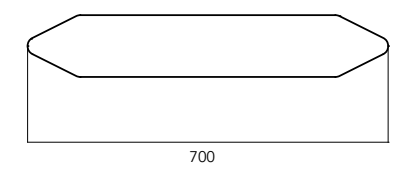
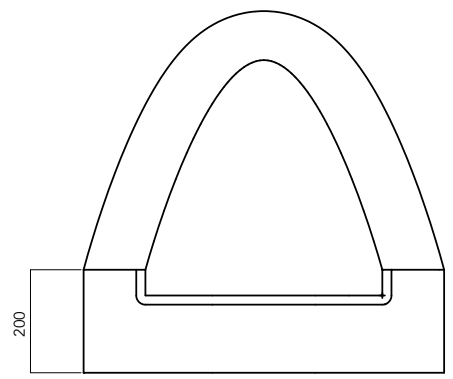
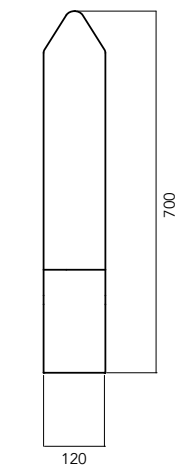
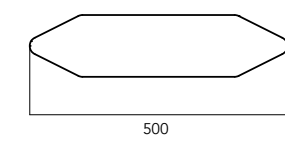
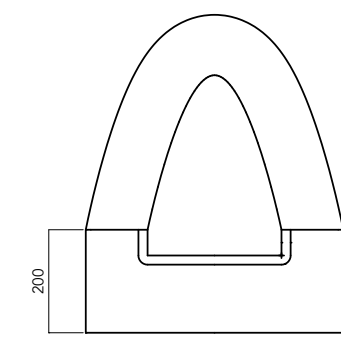
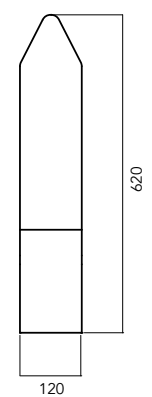


# ARCH

DISSUASORE / BOLLARD

CODE UL - DSR - 113B / UL - DSR - 113S

Dimensions: L 500 W 120 H 310 L 700 W 120 H 500



URBAN LIFE\_LEATHER COLLECTION



# LEATHER COLLECTION

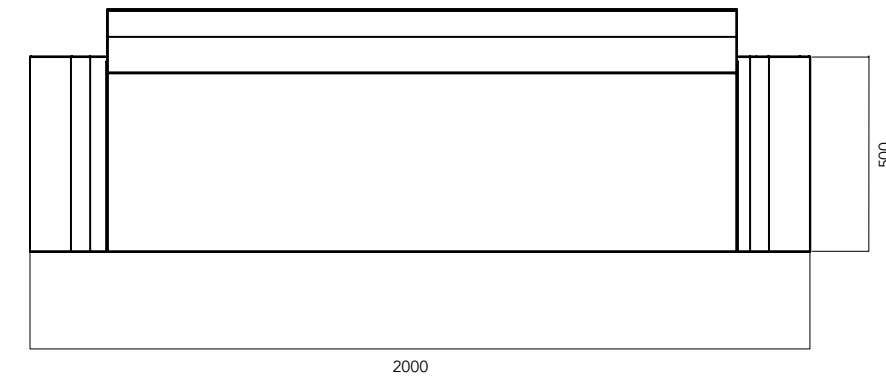
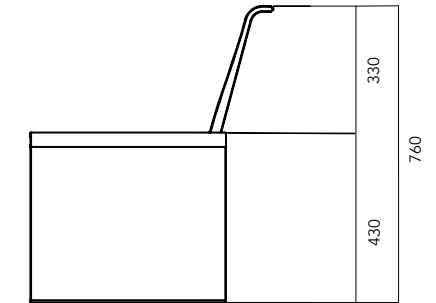
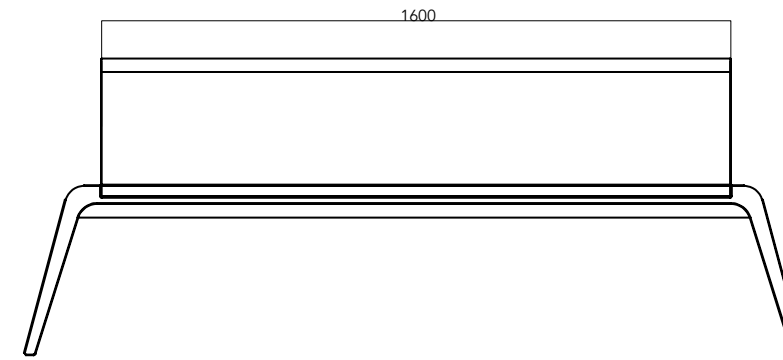
UHPC



# LEATHER

PANCHINA / BENCH

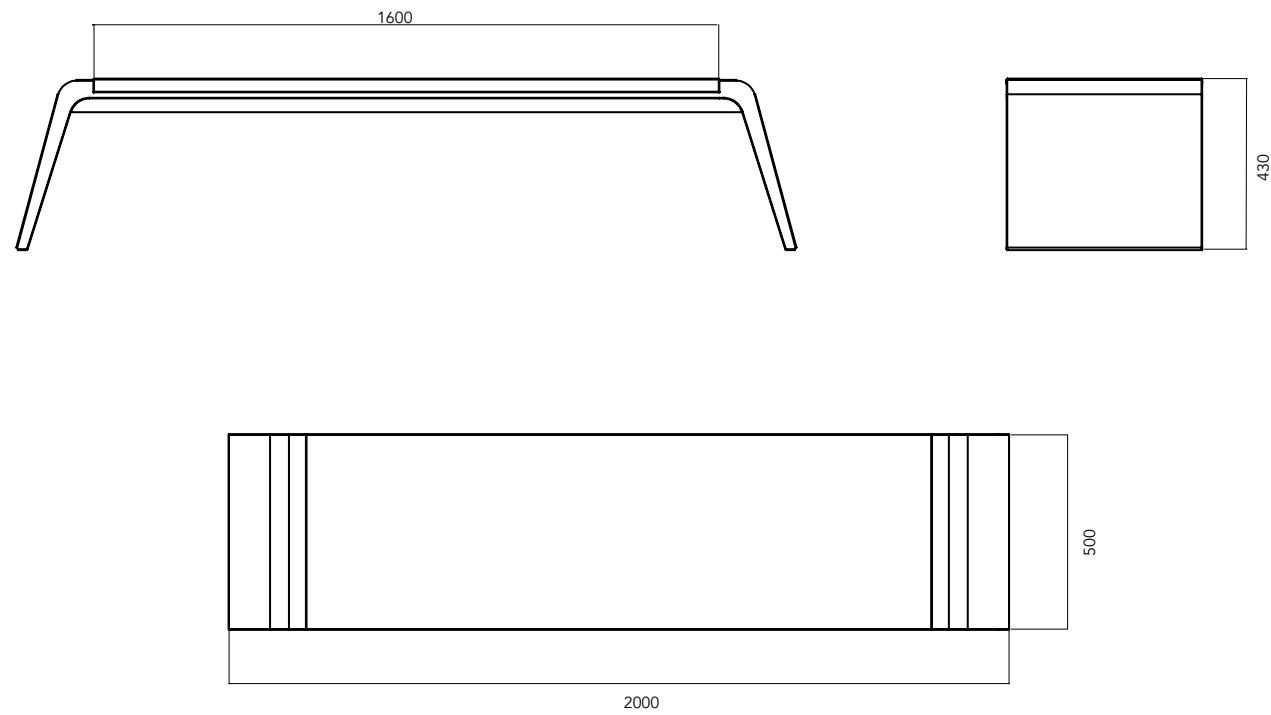
CODE UL - PNC - 059



# LEATHER

PANCA / SEAT

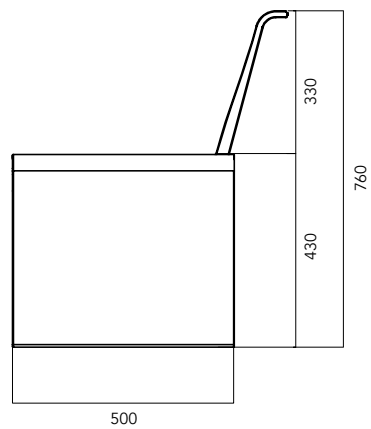
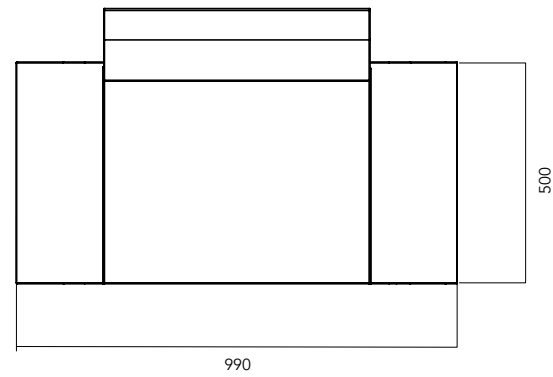
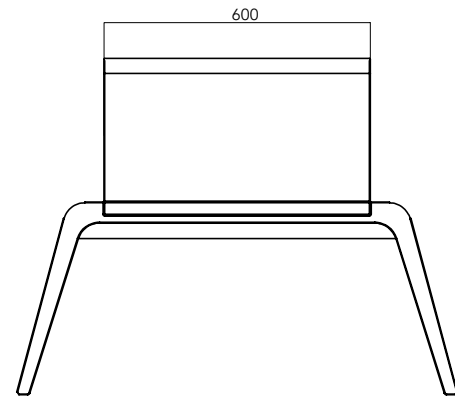
CODE UL - PNC - 060



# LEATHER

SEDIA / CHAIR

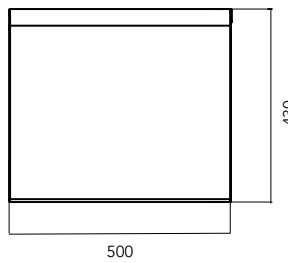
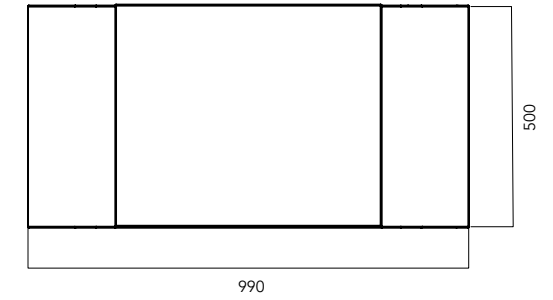
CODE UL - PNC - 062



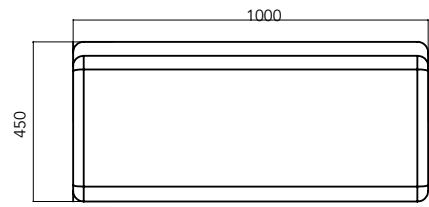
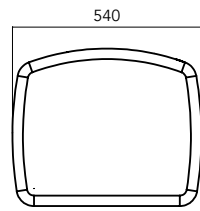
# LEATHER

SEDUTA / SEAT

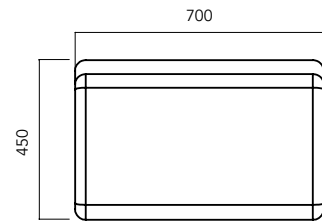
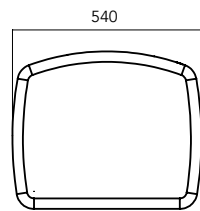
CODE UL - PNC - 063



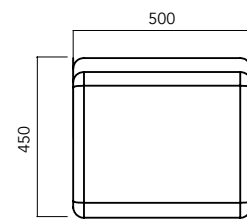
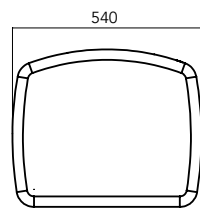
# POUF



POUF LEATHER A UL-PNC-066



POUF LEATHER B UL-PNC-067



POUF LEATHER C UL-PNC-068



—  
**PEBBLES**  
SEDUTE / SEATS



# PEBBLES

SEDUTE / SEATS

CODE B UL - PNC - 041



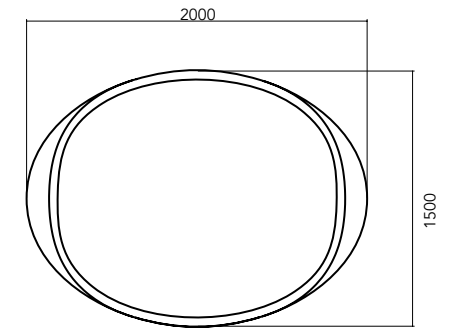
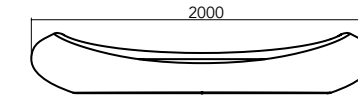
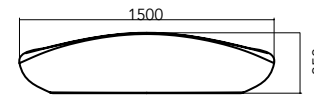
CODE C UL - PNC - 042



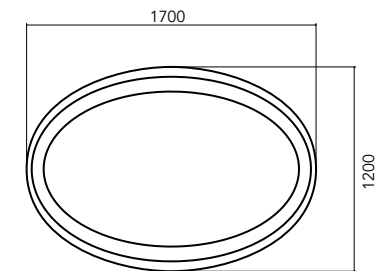
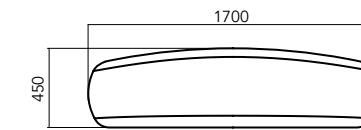
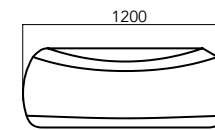
CODE A UL - PNC - 040



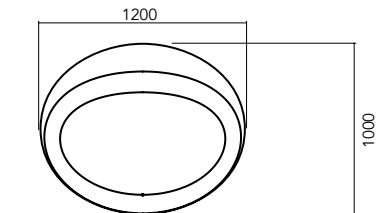
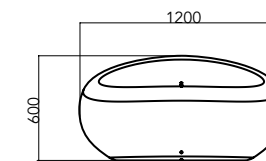
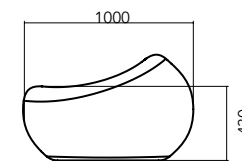
CODE A UL - PNC - 040



CODE B UL - PNC - 041



CODE C UL - PNC - 042

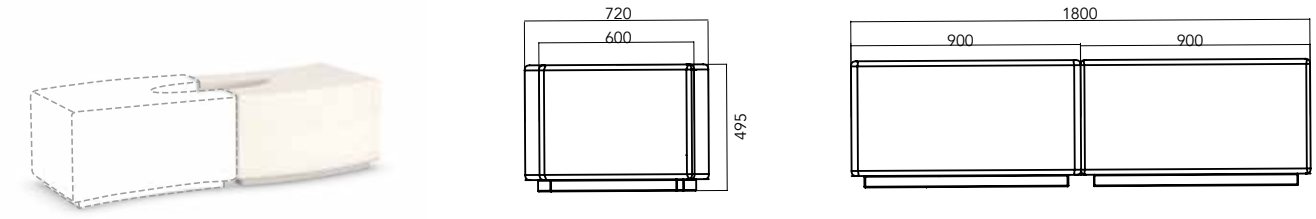




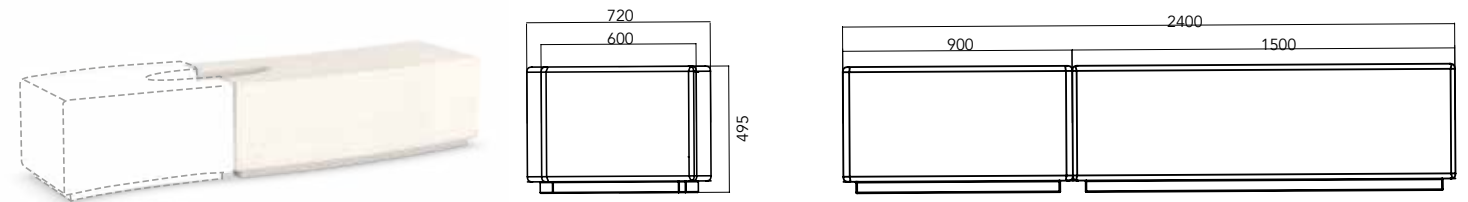
# SECTION

SEDUTA / SEAT

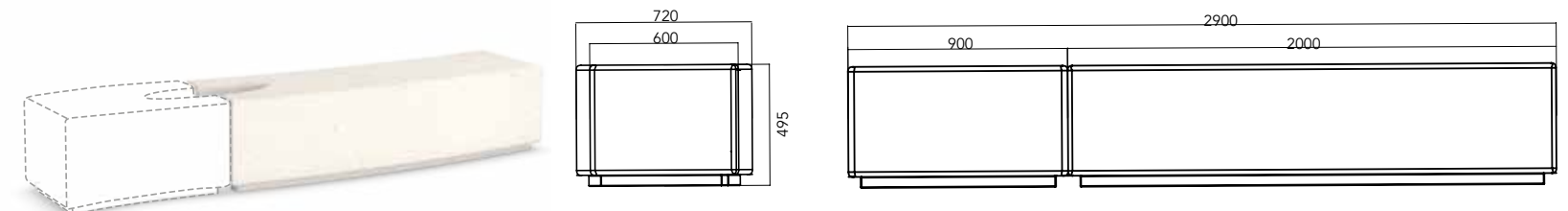
 OPTIONAL LUCE LED / LED LIGHT



CODE A UL - PNC - 046



CODE B UL - PNC - 047



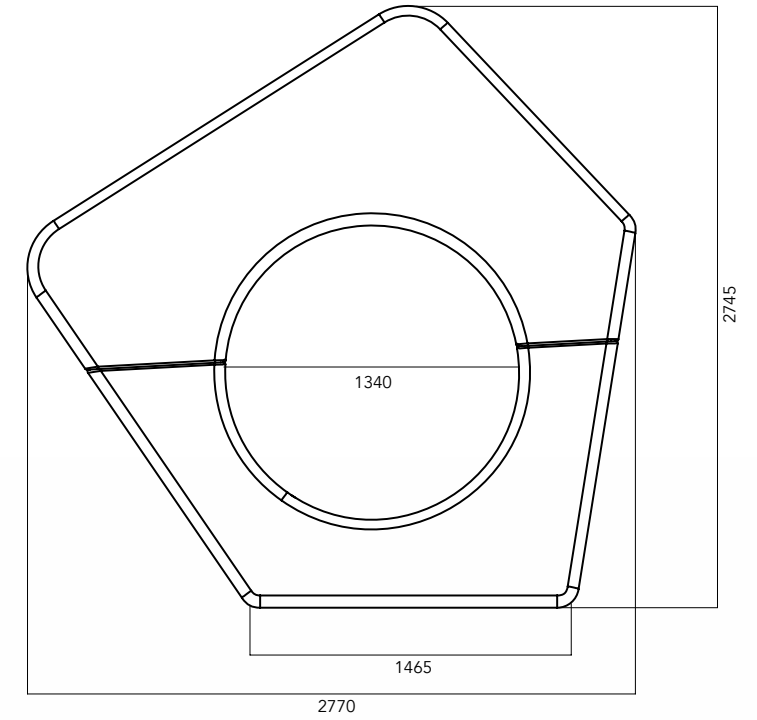
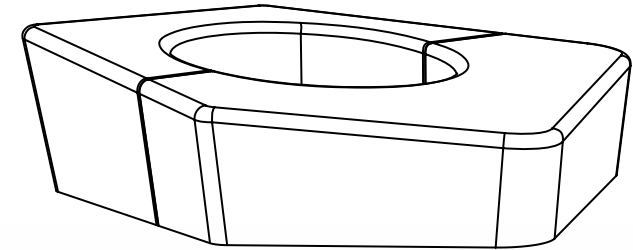
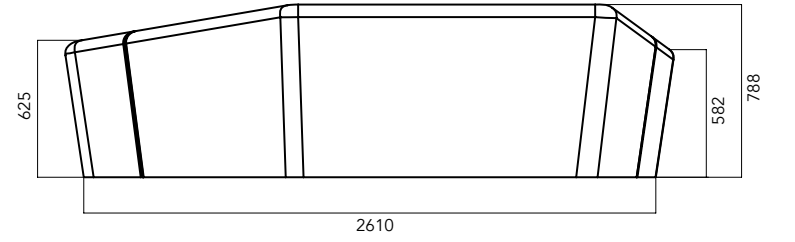
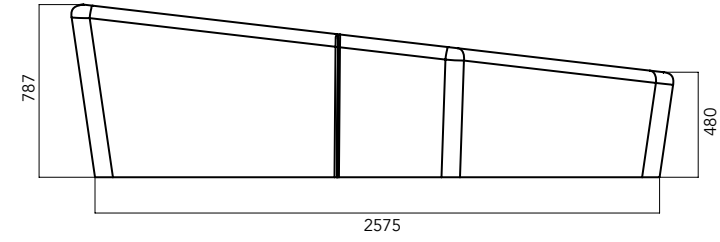
CODE C UL - PNC - 048



—

# FIVE

CODE UL - PNC - 98





—  
**SEA**  
PANCHINA / BENCH

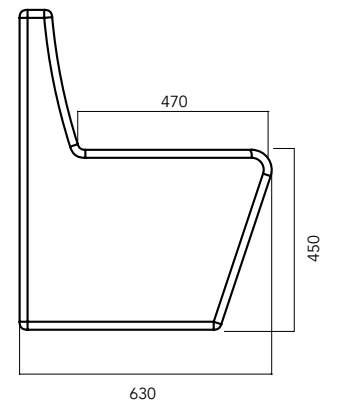
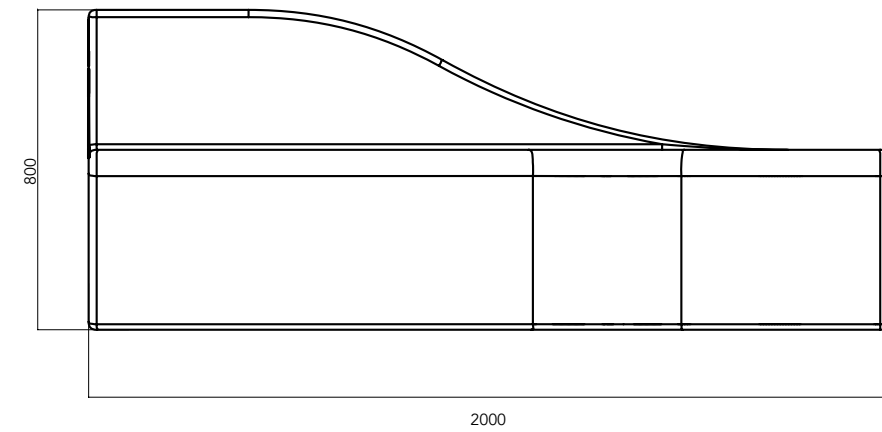
—  
**SEA**  
PANCHINA / BENCH



CODE DX UL - PNC - 044



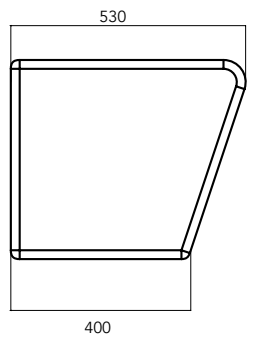
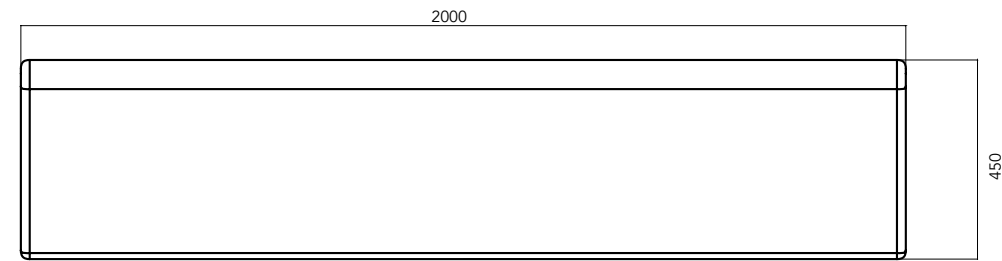
CODE SX UL - PNC - 045



# MONOLITHE

PANCA / SEAT

CODE UL - PNC - 043





—  
**PENTA**  
PANCHINA / BENCH

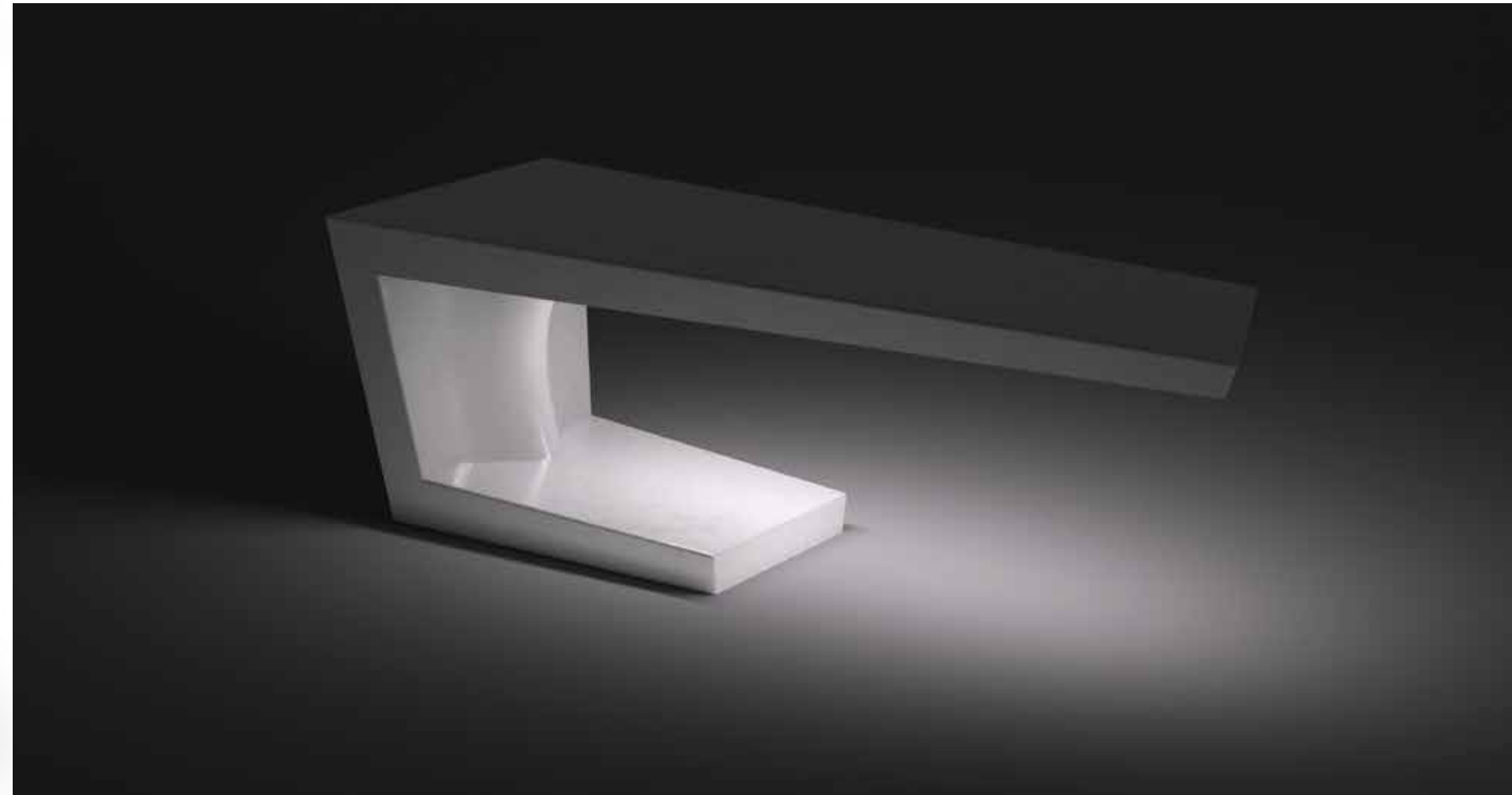
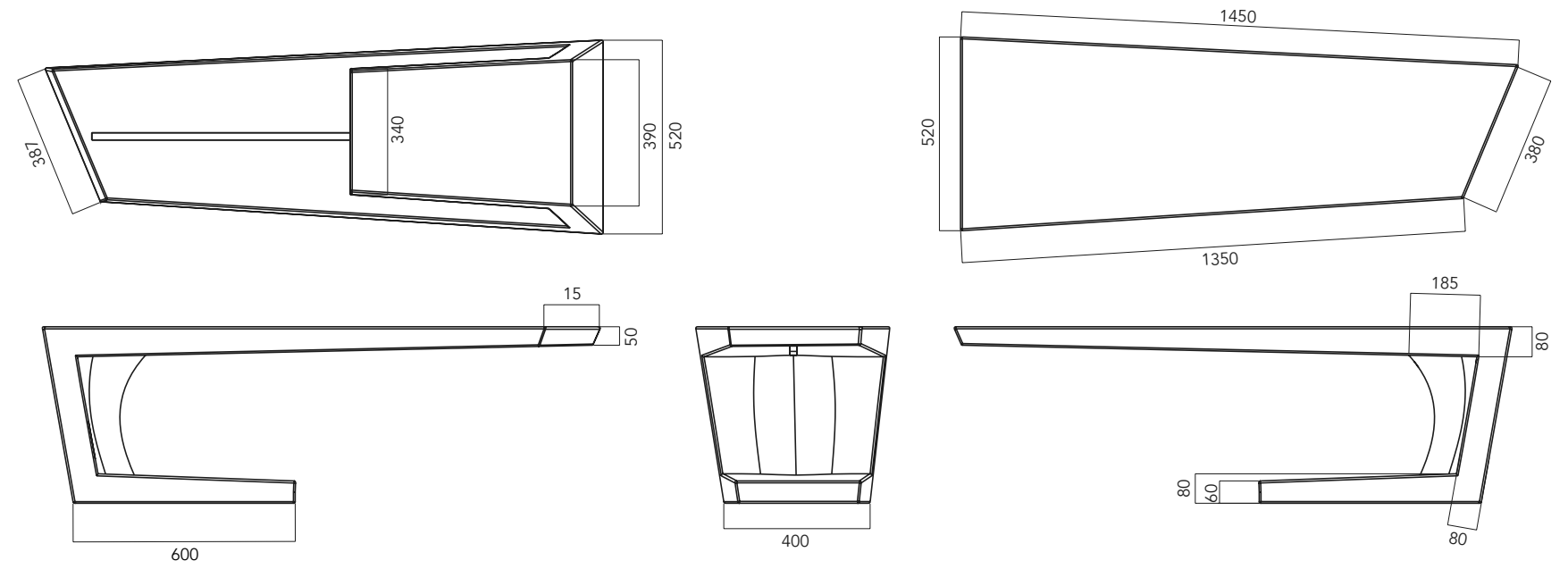


# PENTA

PANCA / SEAT

CODE UL - PNC - 051

 OPTIONAL LUCE LED / LED LIGHT



—  
**BEND**  
SEDUTE / SEATS





# BEND

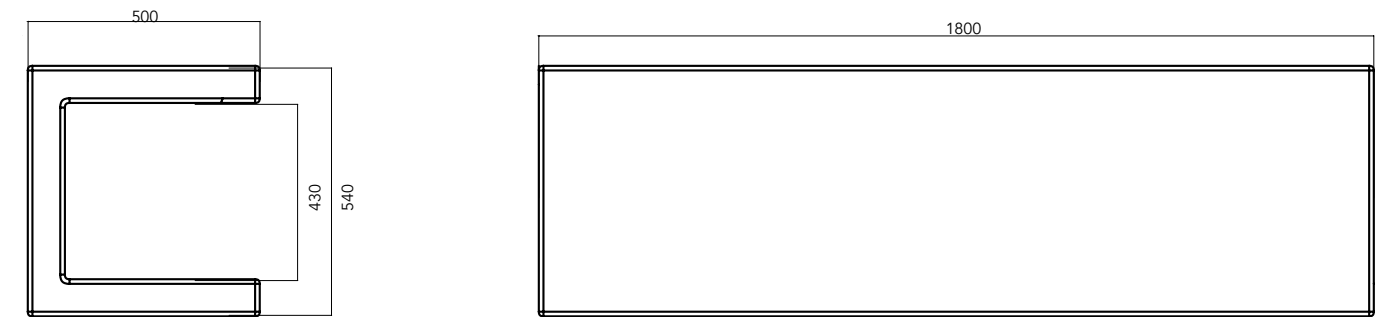
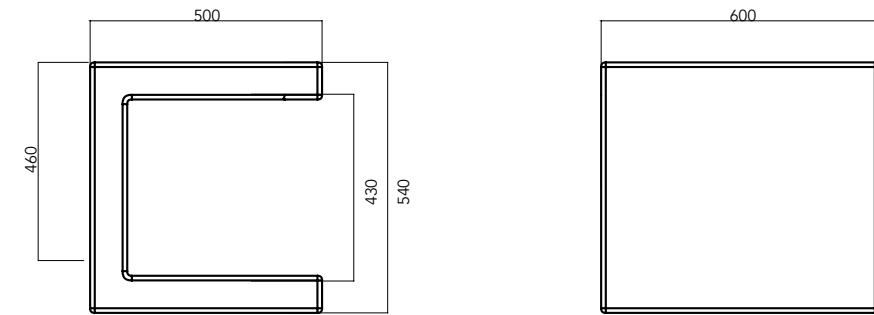
SEDUTE / SEATS

 OPTIONAL LUCE LED / LED LIGHT



CODE UL - PNC - 050

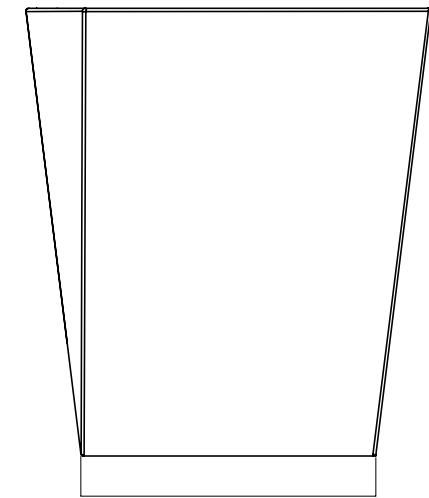
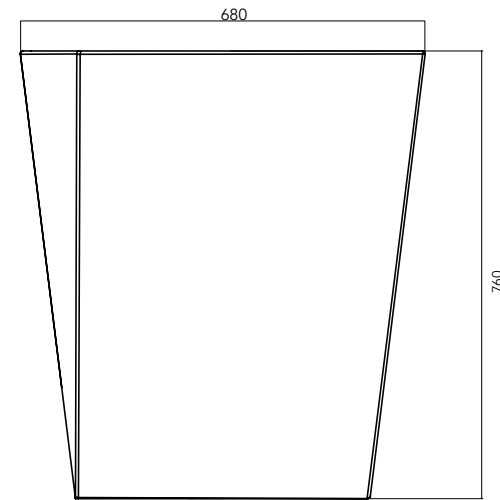
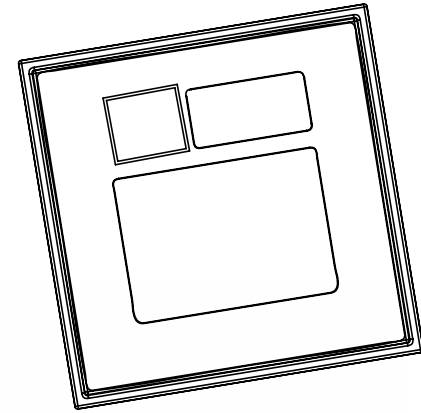
CODE UL - PNC - 049



# SEA

CODE UL - CST - 016

C: 120 LT

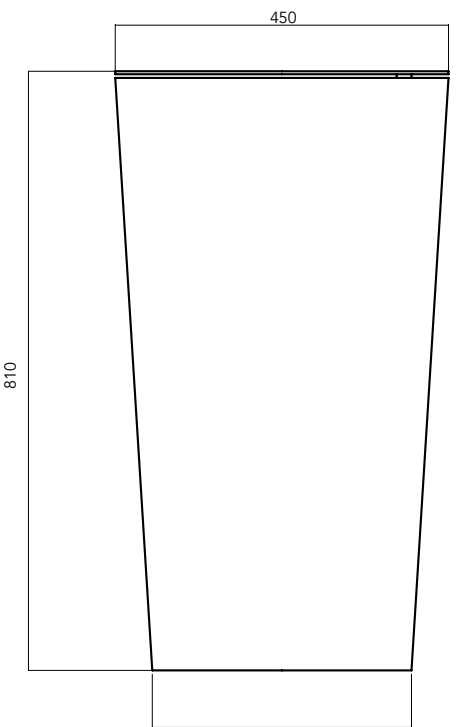
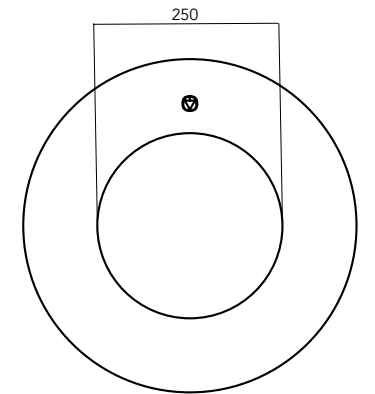


500

# SMOOTH

CODE UL - CST - 027

C: 80 LT

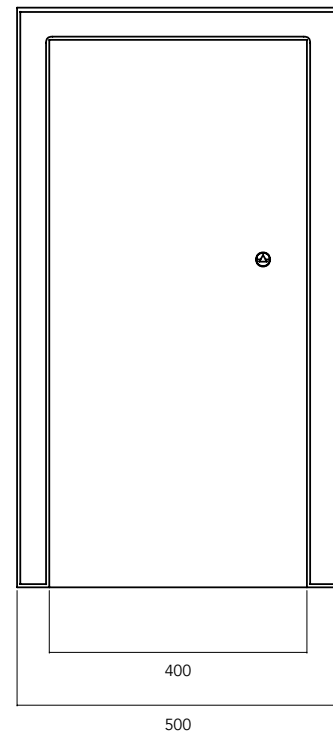
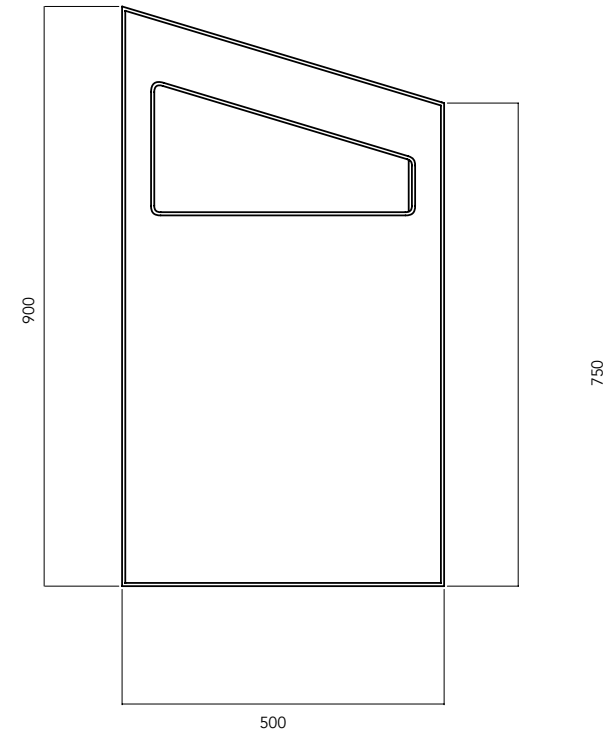


350

—  
**BLOCK**

CODE UL - CST - 028

C: 60 LT



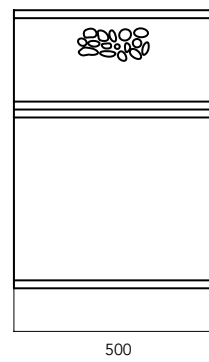
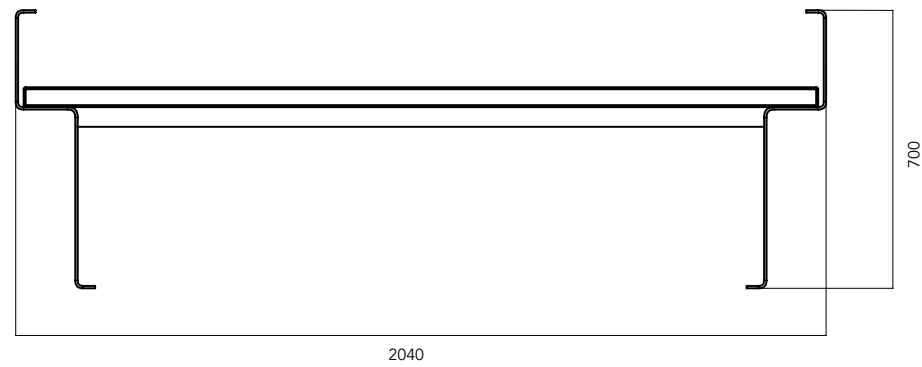


**PANCHINE  
BENCHES**

# CLAPS

PANCA / SEAT

CODE UL - PNC - 008

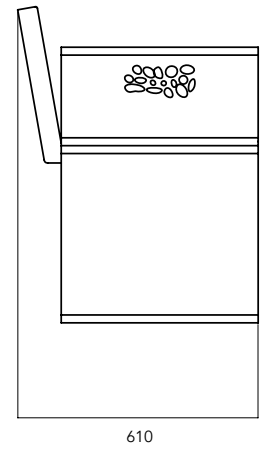
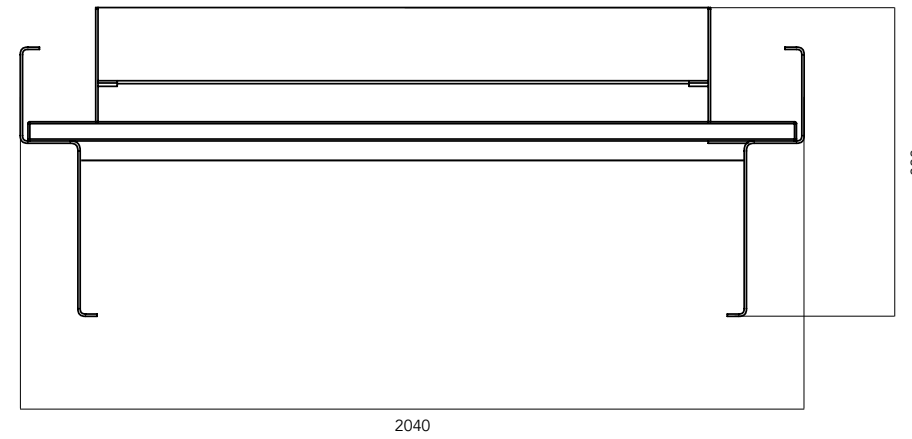




# CLAPS

PANCHINA / BENCH

CODE UL - PNC - 007

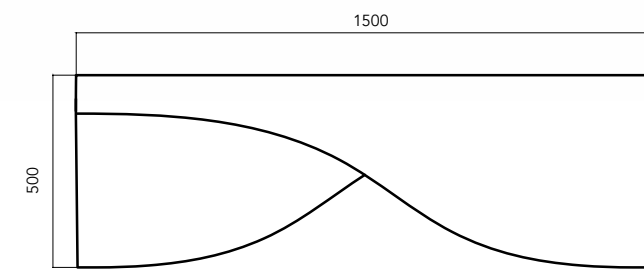
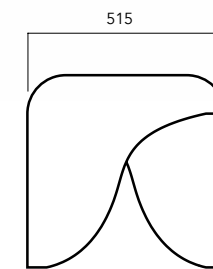
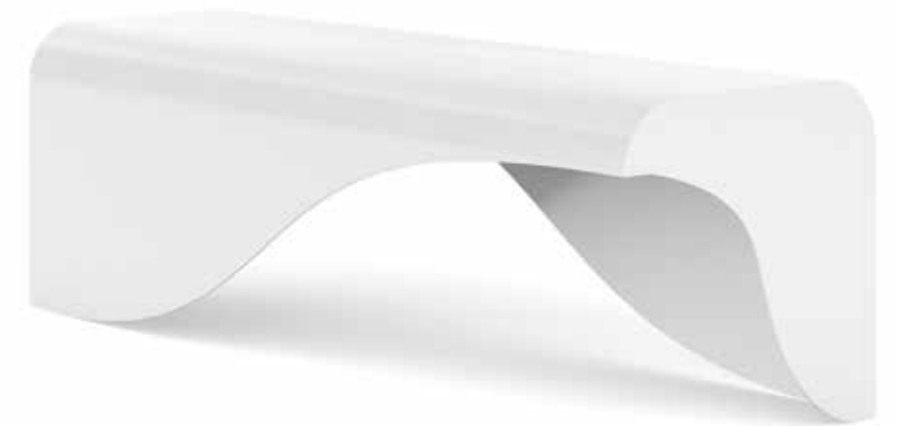


—  
**ONDA**  
PANCA / SEAT

CODE DX UL - PNC - 028



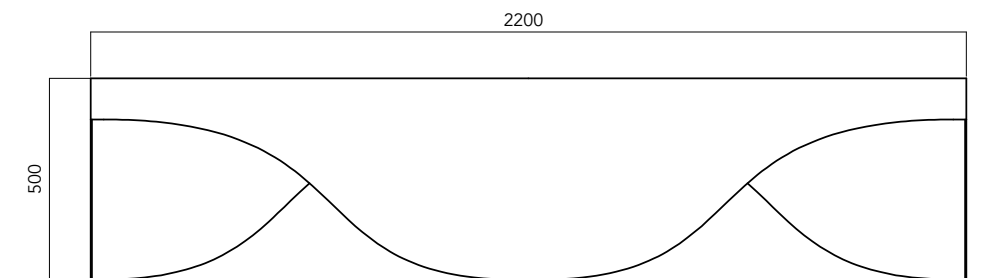
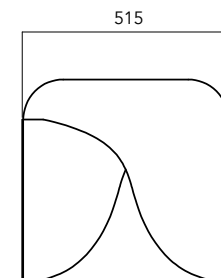
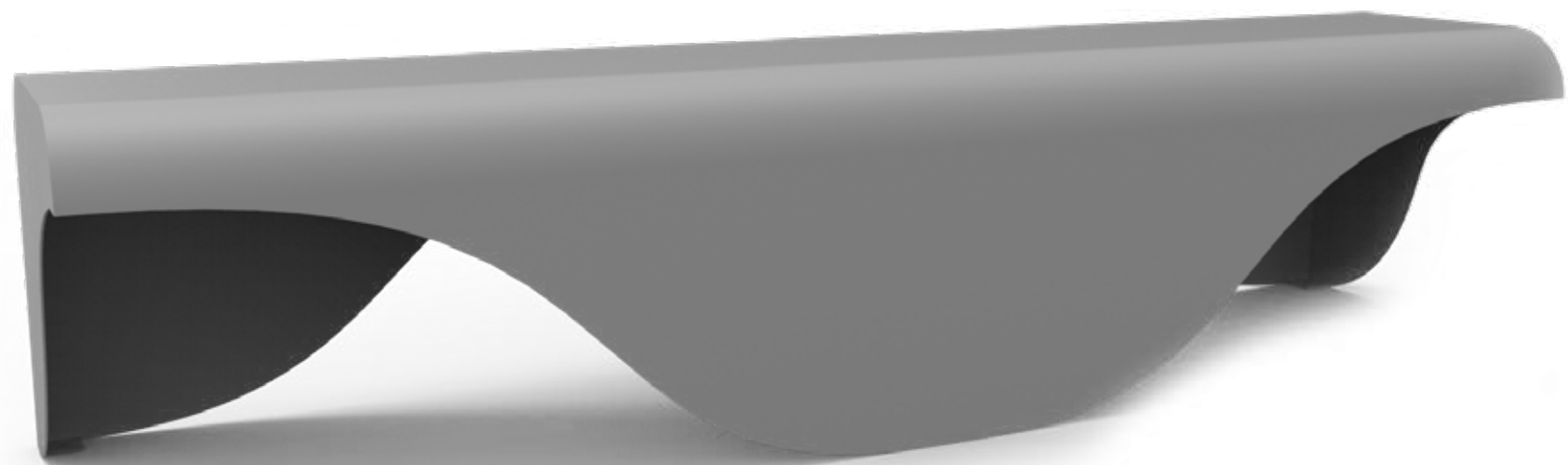
CODE SX UL - PNC - 027



# ONDA 2.2 MT

PANCA / SEAT

CODE UL - PNC - 028S

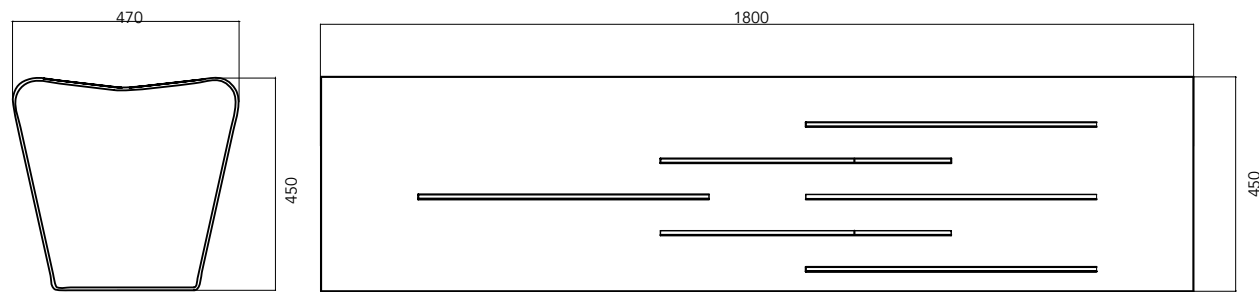




# MAC

PANCA / SEAT

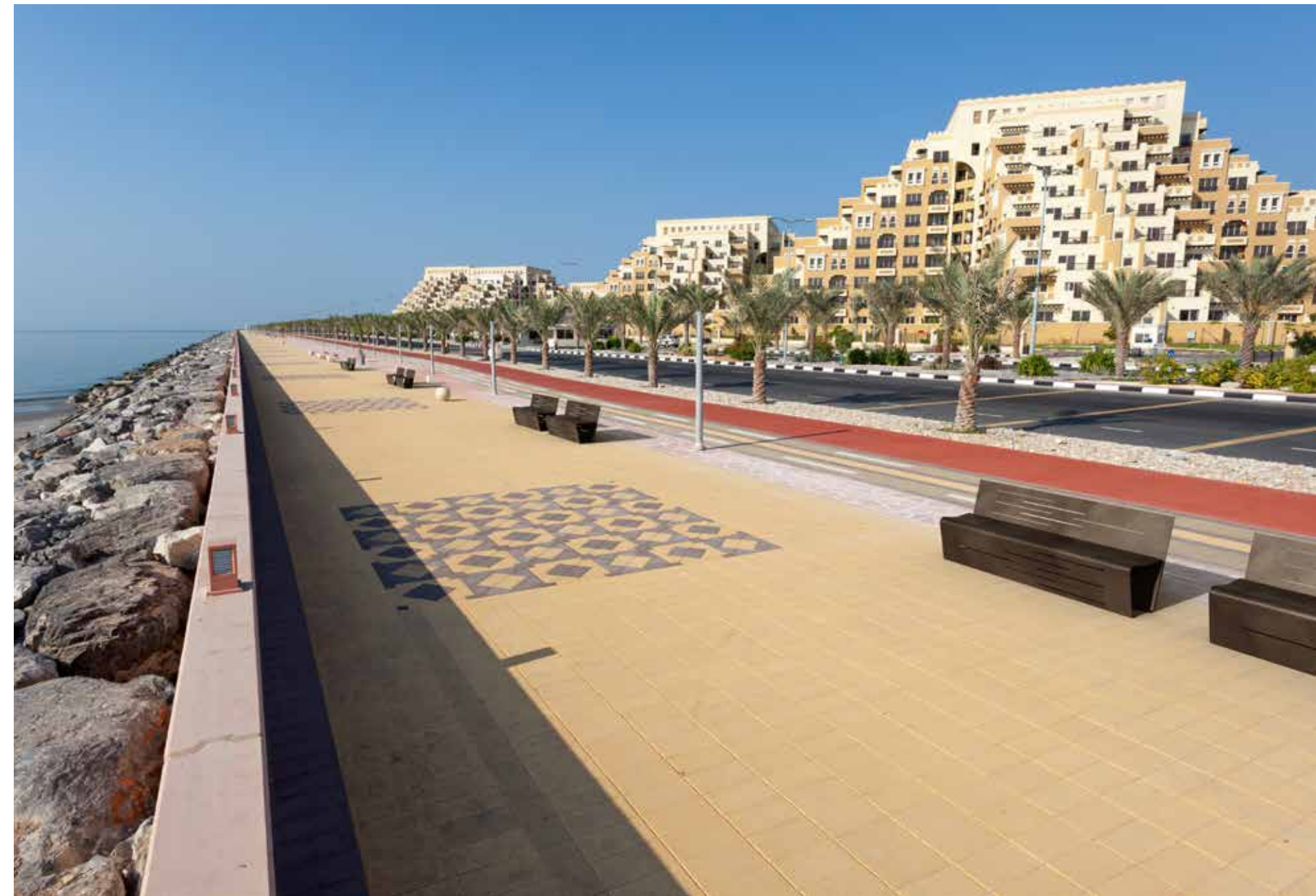
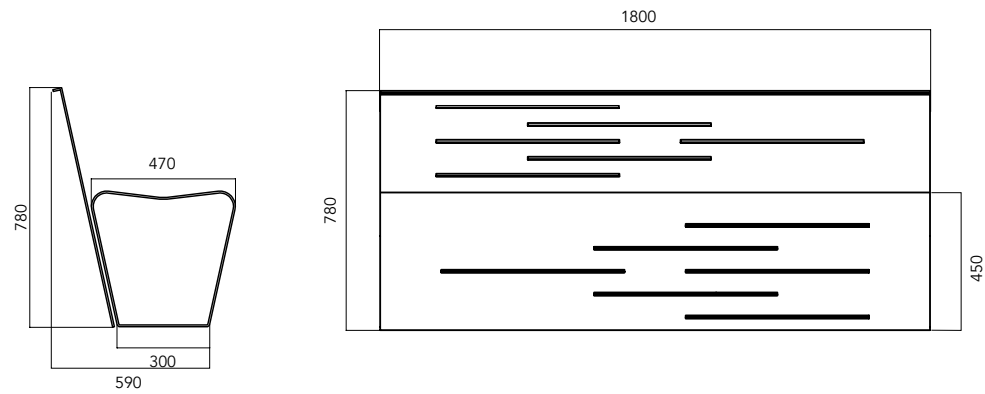
CODE UL - PNC - 016



# MAC

## PANCHINA / BENCH

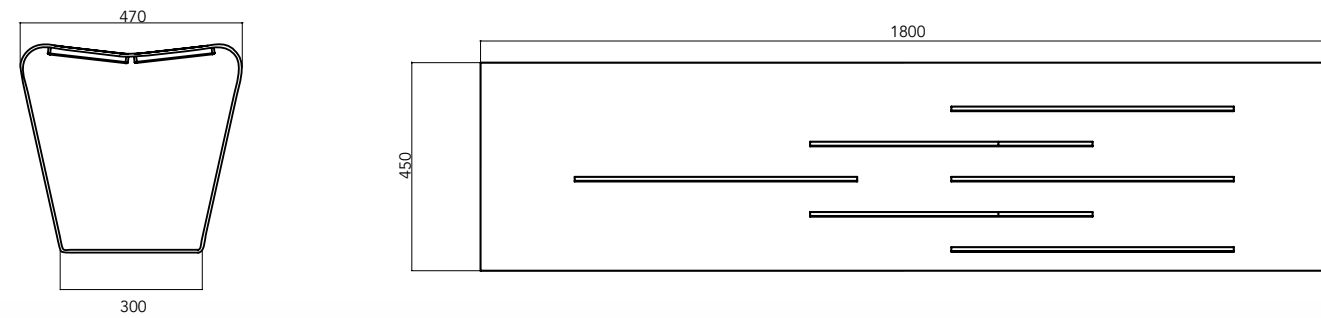
CODE UL - PNC - 015



# MAC WOOD

PANCA / SEAT

CODE UL - PNC - 020

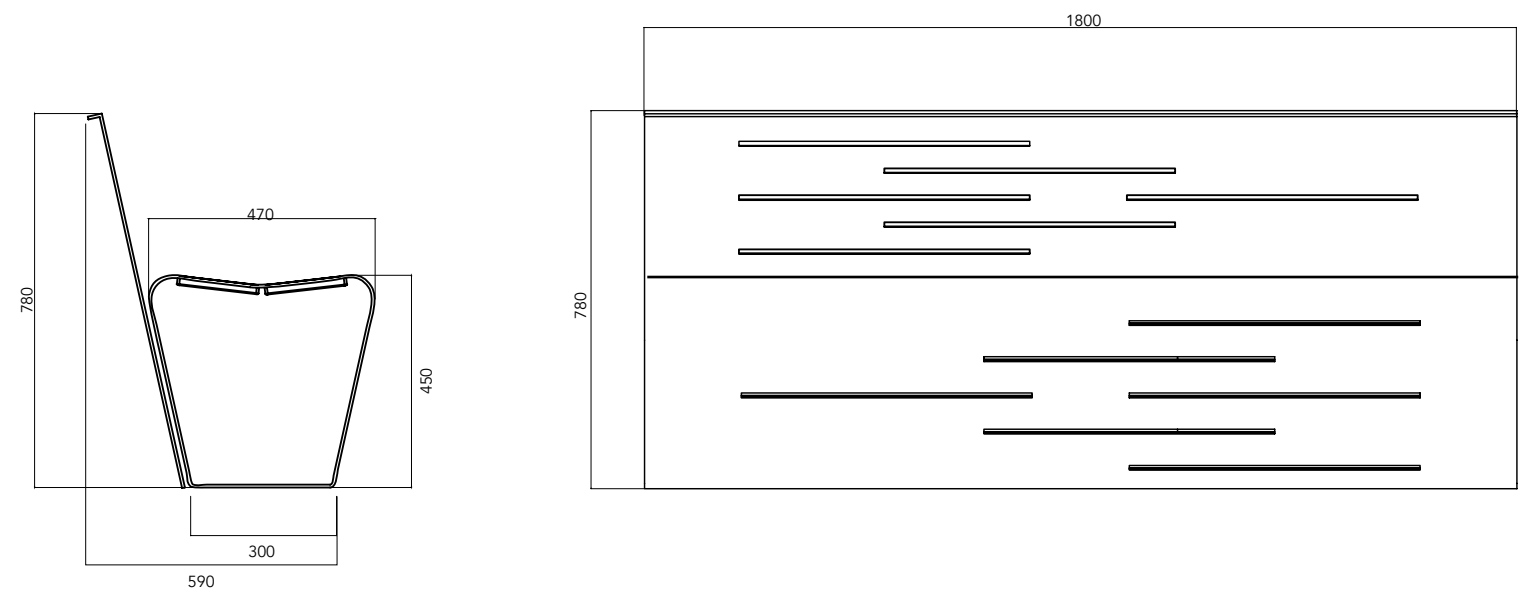




# MAC WOOD

PANCHINA / BENCH

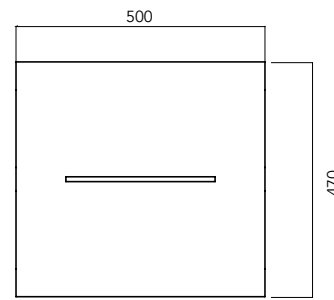
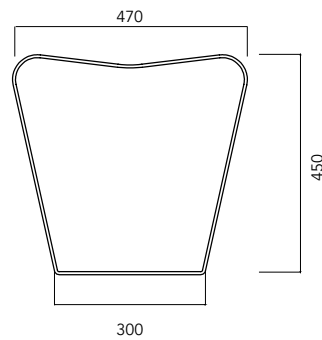
CODE UL - PNC - 019



# MAC

SEDUTA / SEAT

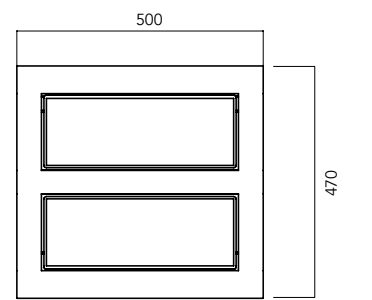
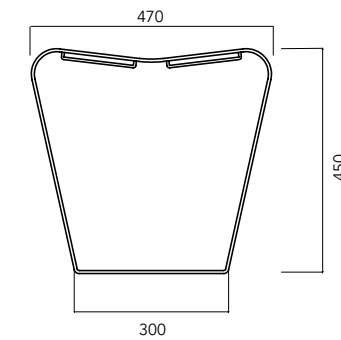
CODE UL - PNC - 017



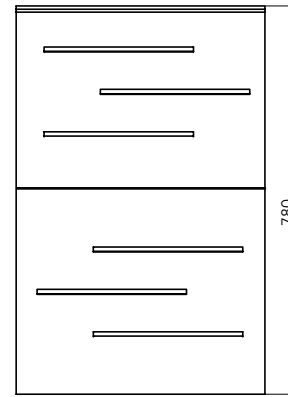
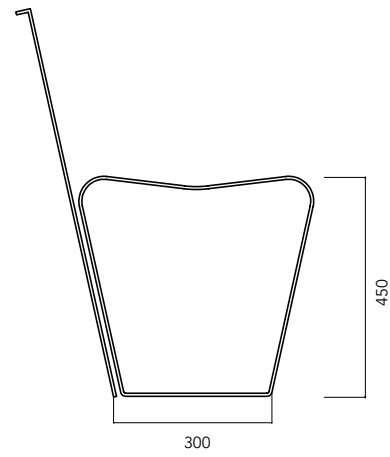
# MAC WOOD

SEDUTA / SEAT

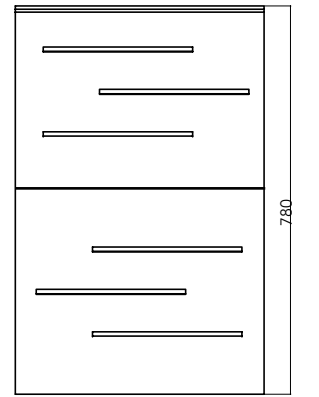
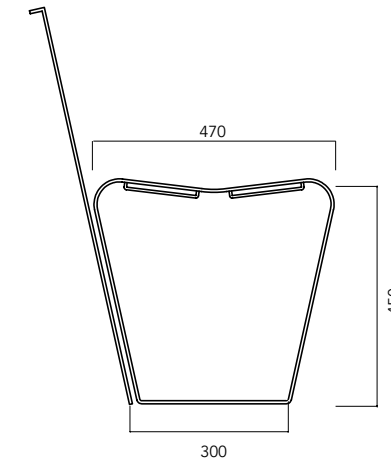
CODE UL - PNC - 021



CODE UL - PNC - 018



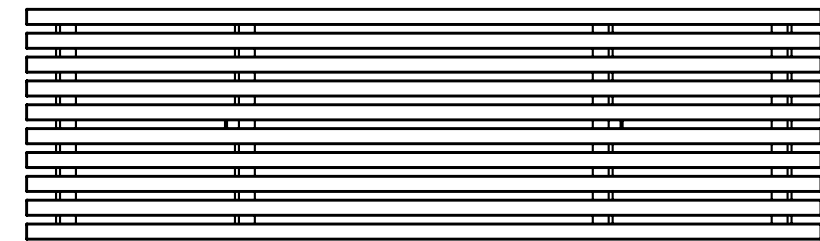
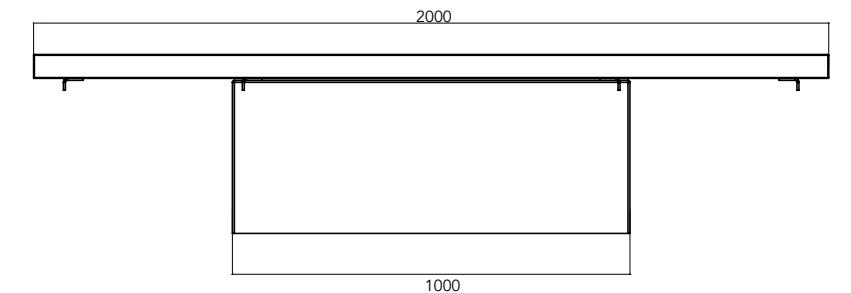
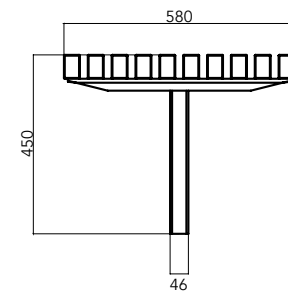
CODE UL - PNC - 022



# MINIMAL

PANCA / SEAT

CODE UL - PNC - 014



# EASY EVO

SEDIA / CHAIR

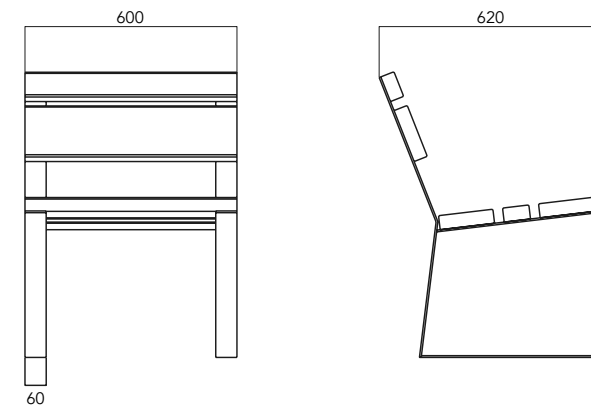
# EASY EVO

SDRAIO / RELAX

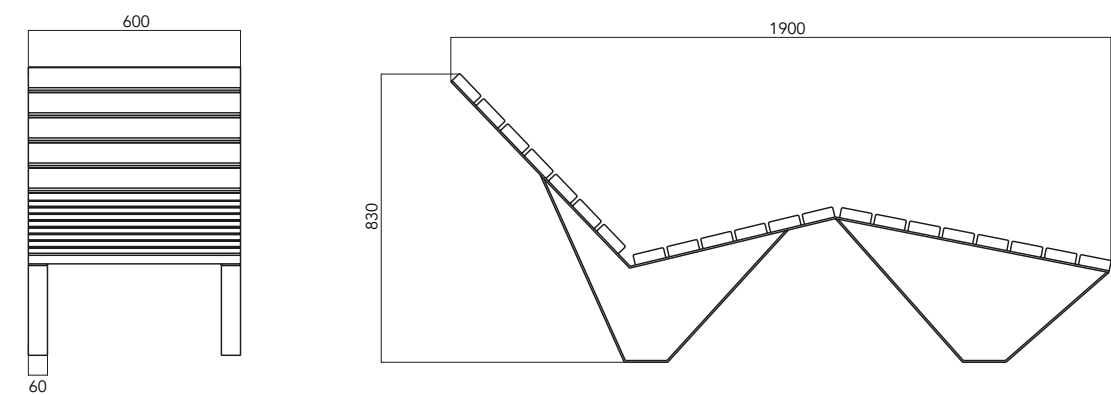
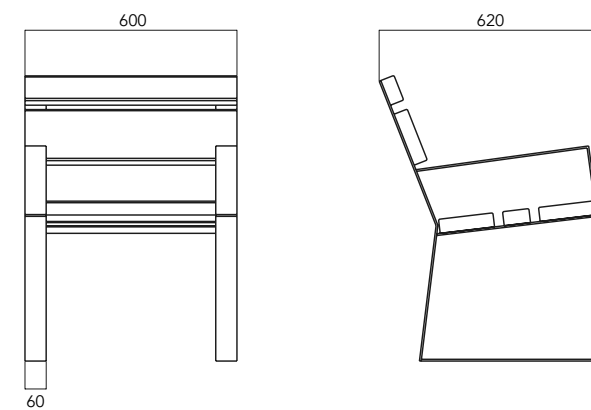
CODE UL - PNC - 077



CODE UL - PNC - 075



CODE UL - PNC - 076



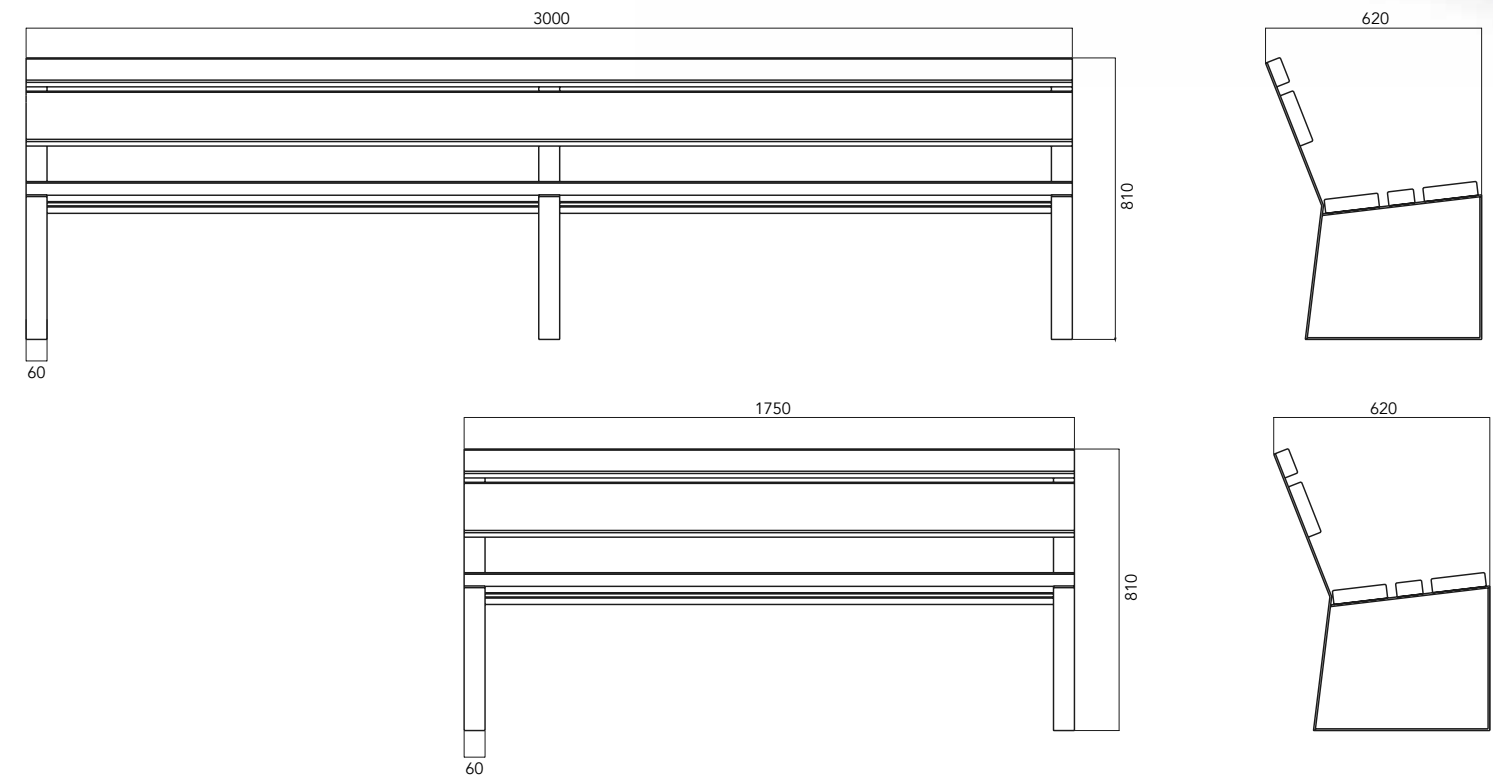
**EASY EVO**  
PANCHINA / BENCH



CODE UL - PNC - 012



CODE UL - PNC - 012L

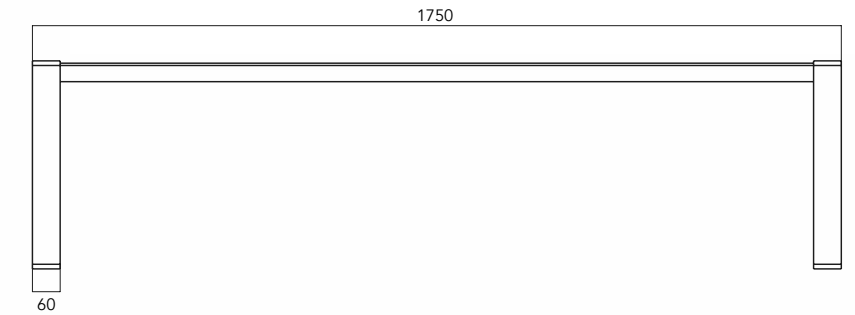
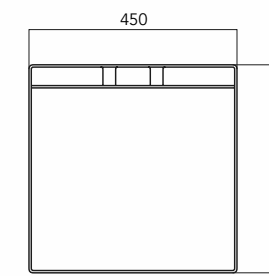




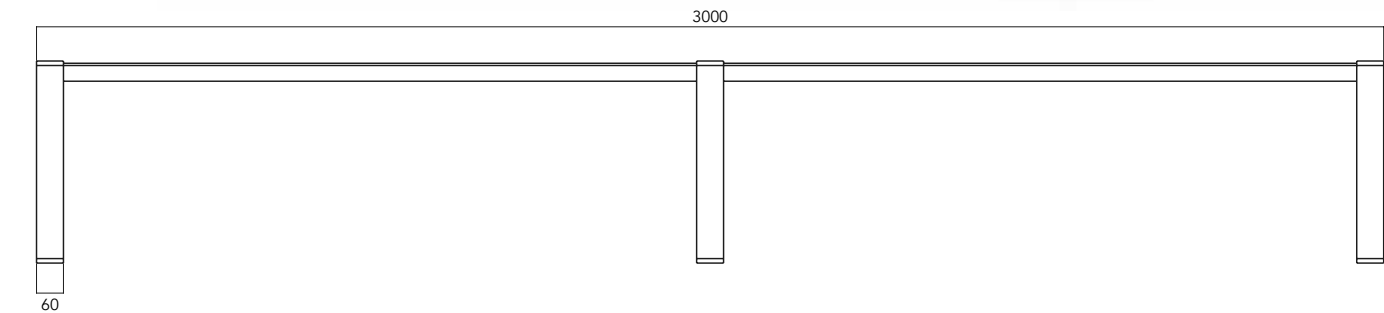
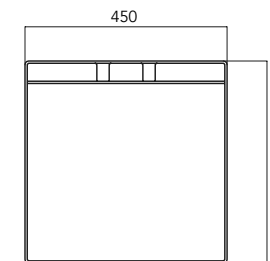
**EASY EVO**  
PANCA / SEAT



CODE UL - PNC - 010



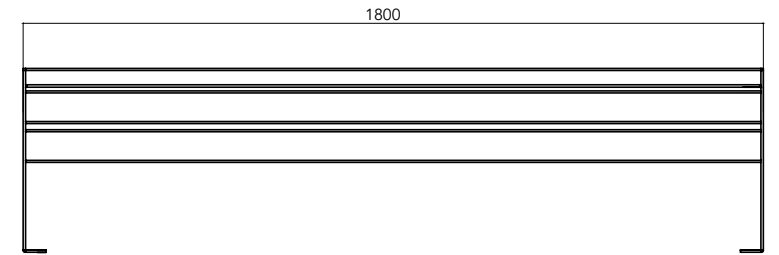
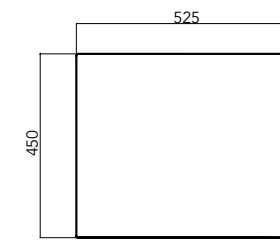
CODE UL - PNC - 010L



# ETIC

PANCA / SEAT

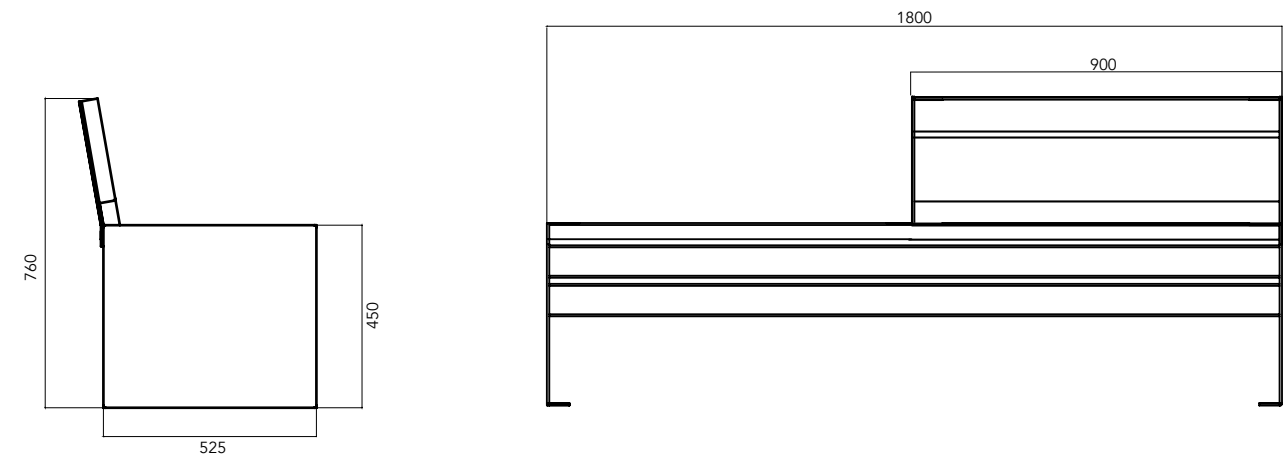
CODE UL - PNC - 030



# ETIC 1

PANCHINA / BENCH

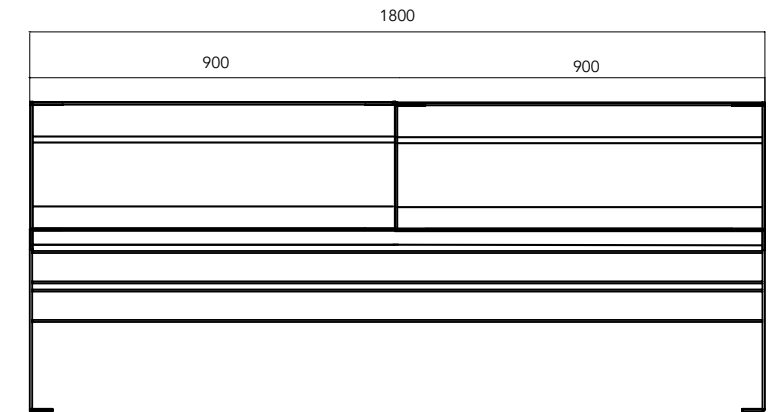
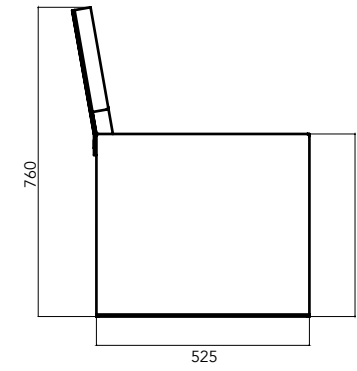
CODE UL - PNC - 031



# ETIC 2

PANCHINA / BENCH

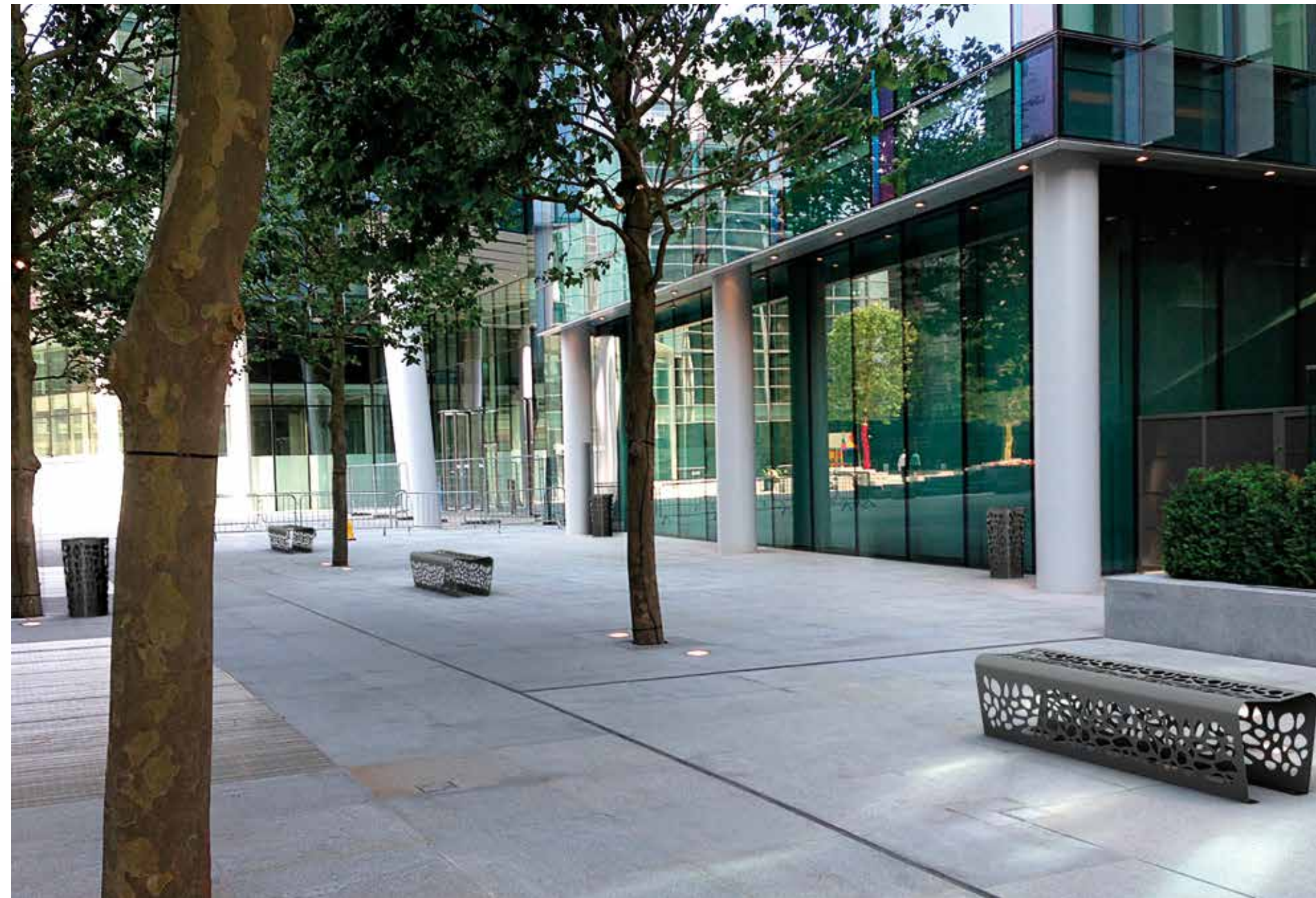
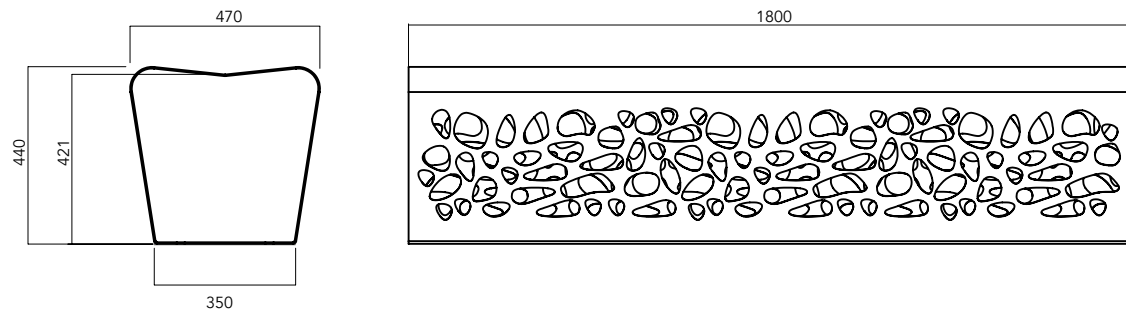
CODE UL - PNC - 032



# SOFA CLAPS SEAT

PANCA / SEAT

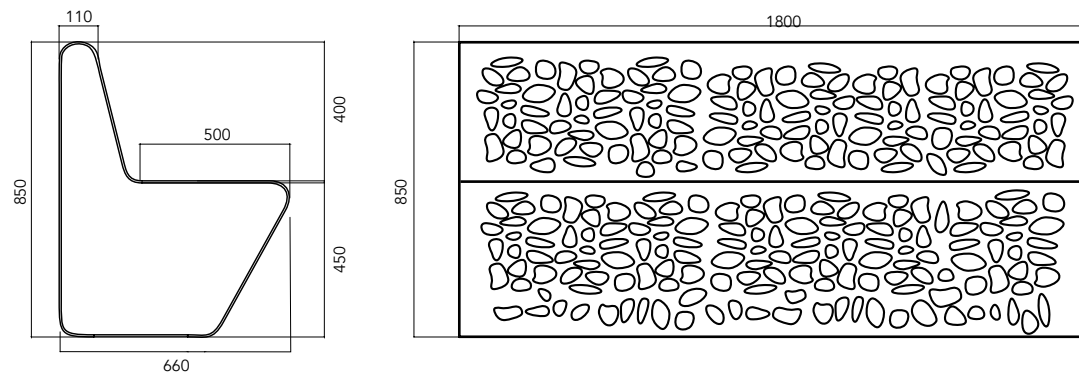
CODE UL - PNC - 039 - S



# SOFA CLAPS

PANCHINA / BENCH

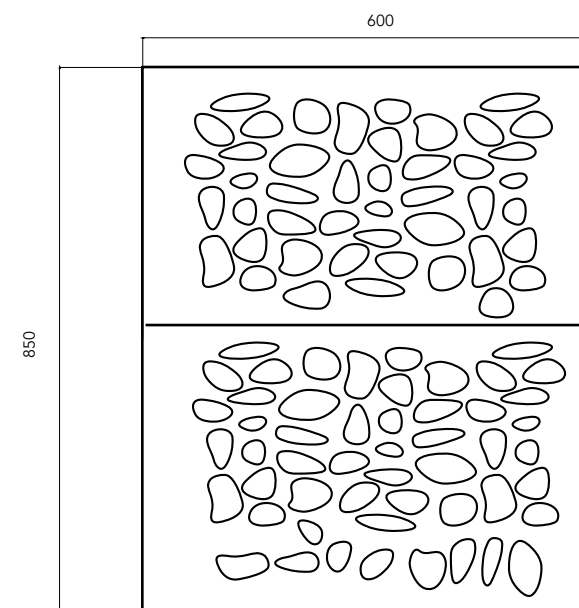
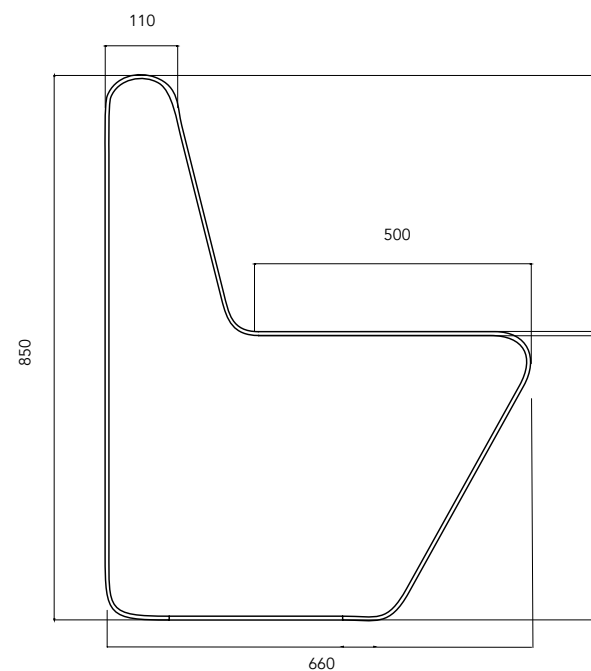
CODE UL - PNC - 039



# SOFA CLAPS CHAIR

SEDIA / CHAIR

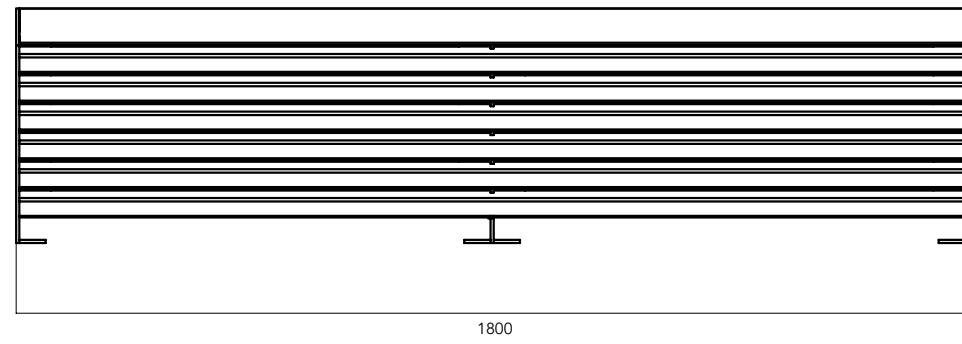
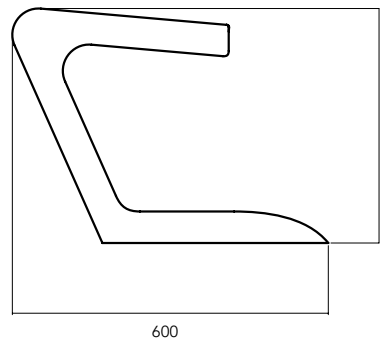
CODE UL - PNC - 078



# WOODY

PANCA / SEAT

CODE UL - PNC - 002

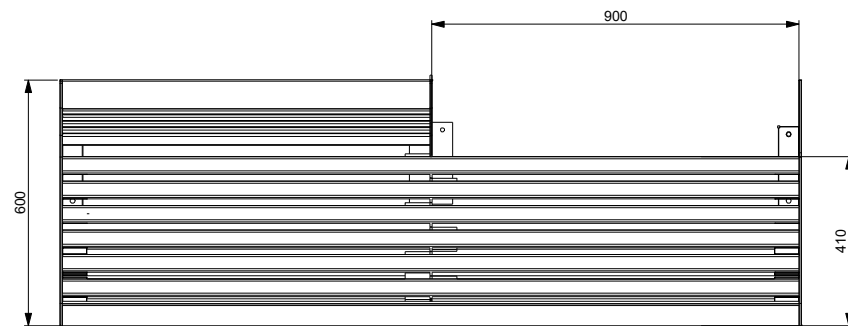
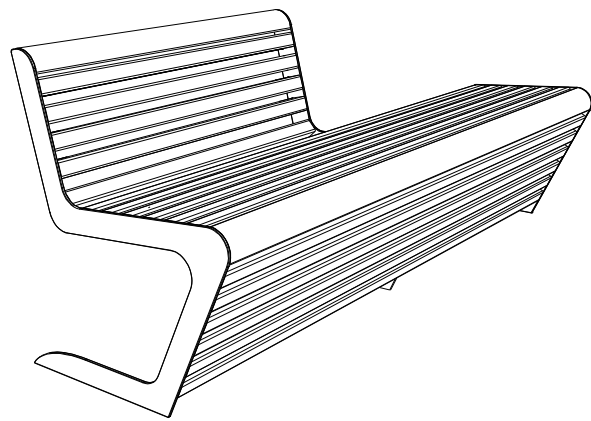
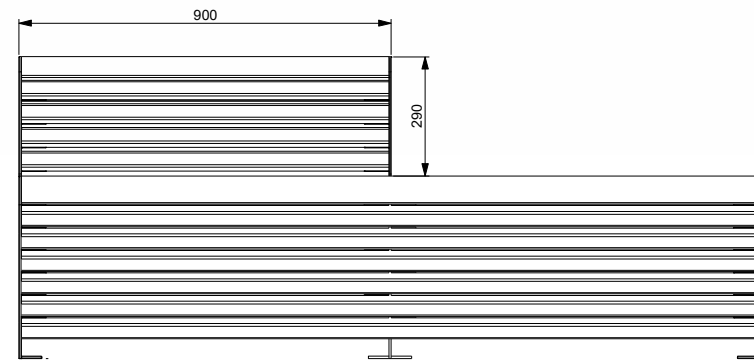
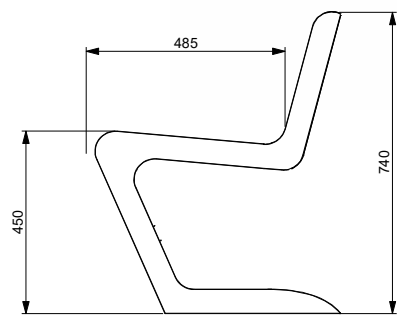




# WOODY 50/50

PANCHINA / BENCH

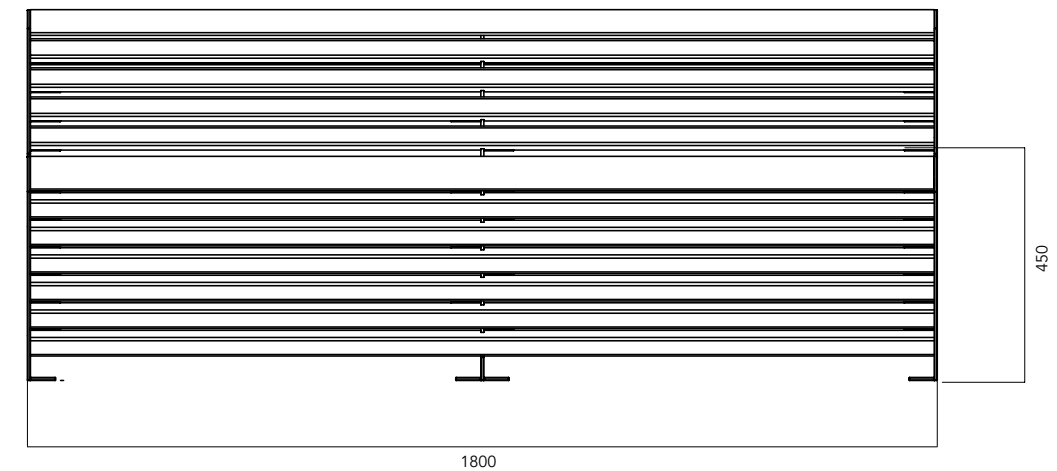
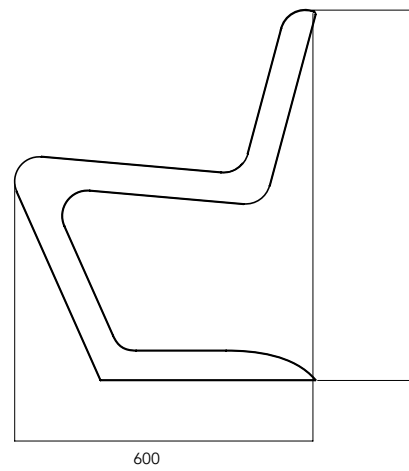
CODE UL - PNC - 78



# WOODY

PANCHINA / BENCH

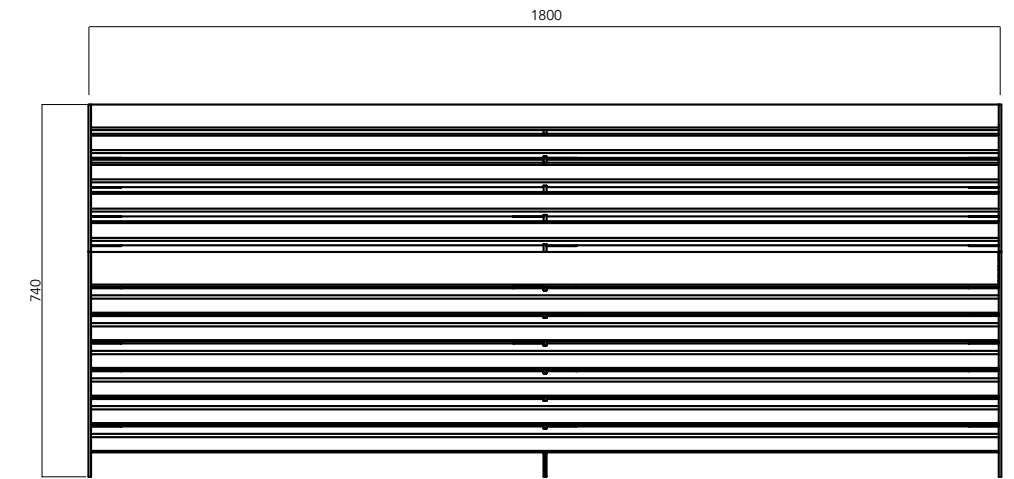
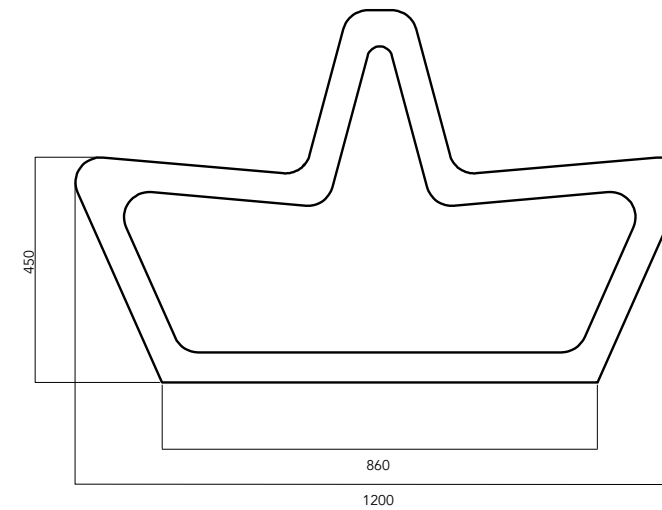
CODE UL - PNC - 001



# WOODY TWINS

PANCHINA / BENCH

CODE UL - PNC - 080

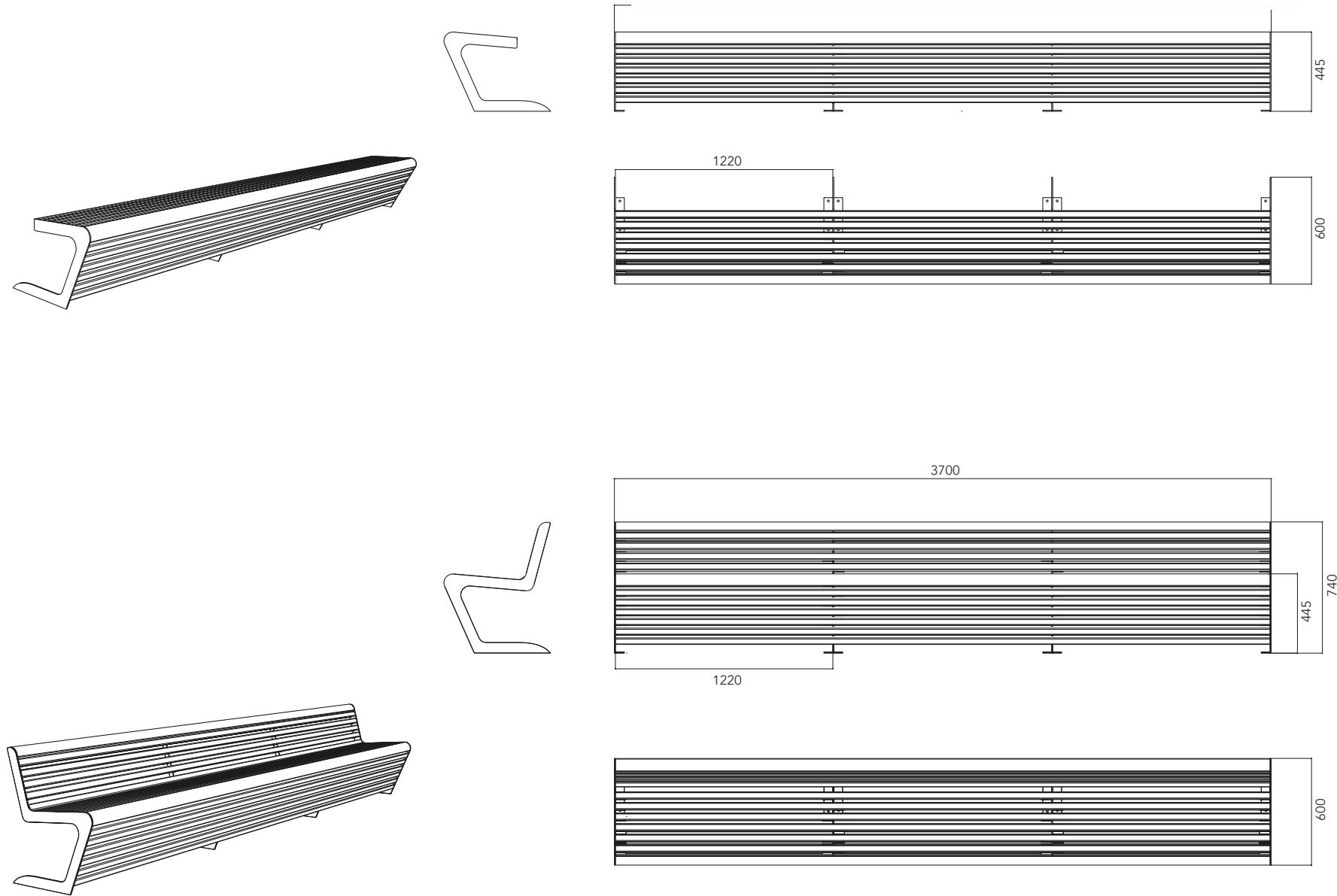




# WOODY 3.7

PANCHINA / BENCH - PANCA / SEAT

CODE BENCH UL - PNC - 079 CODE SEAT UL - PNC - 080



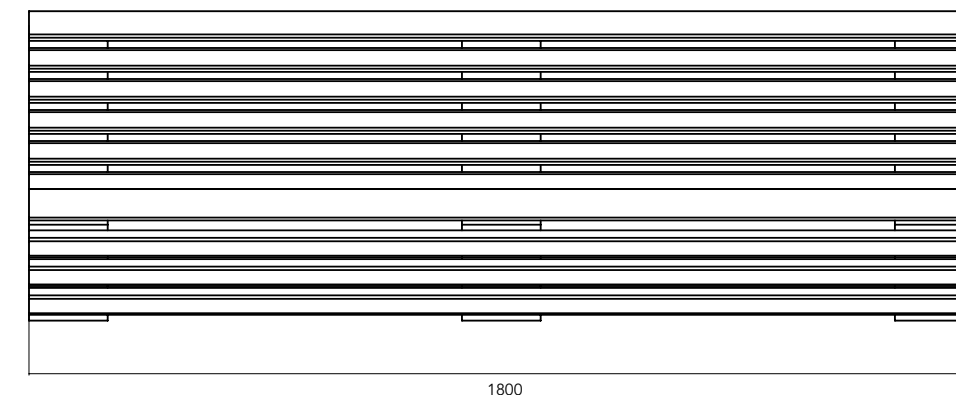
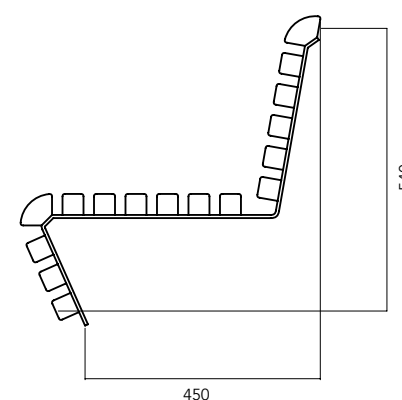
# FLAT 1

PANCHINA / BENCH

CODE UL - PNC - 005



MONOLITHE  
CODE UL - PNC - 043



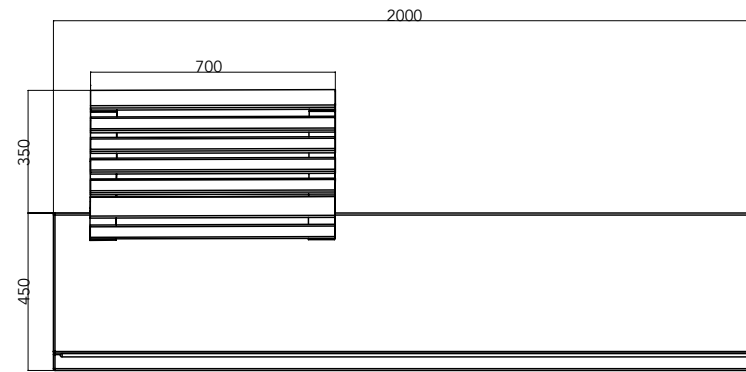
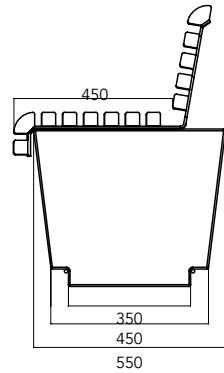
OPTIONAL  
BRACCIOLI / ARMREST

# FLAT EVO1

PANCHINA / BENCH

CODE UL - PNC - 081

OPTIONAL LUCE LED / LED LIGHT

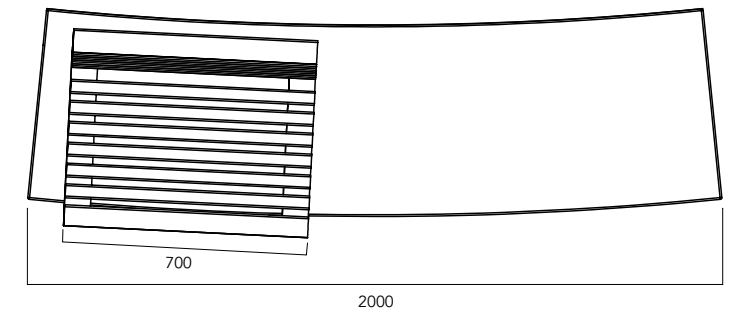
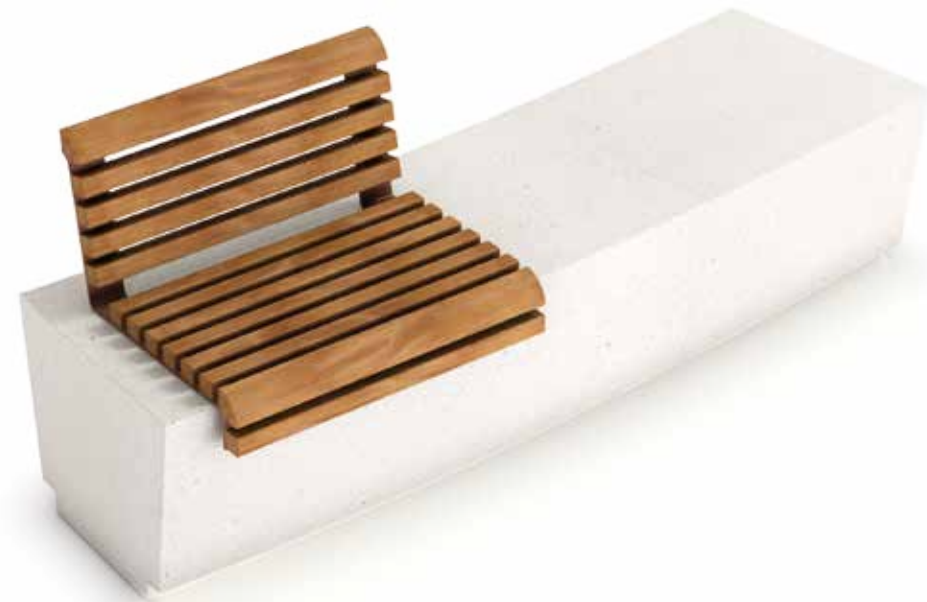
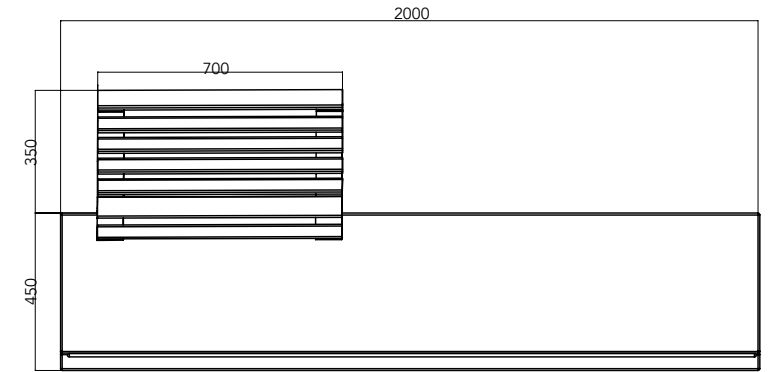
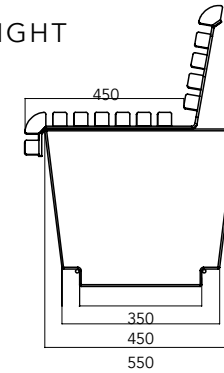


# FLAT EVO2

PANCHINA / BENCH

CODE UL - PNC - 082

OPTIONAL LUCE LED / LED LIGHT

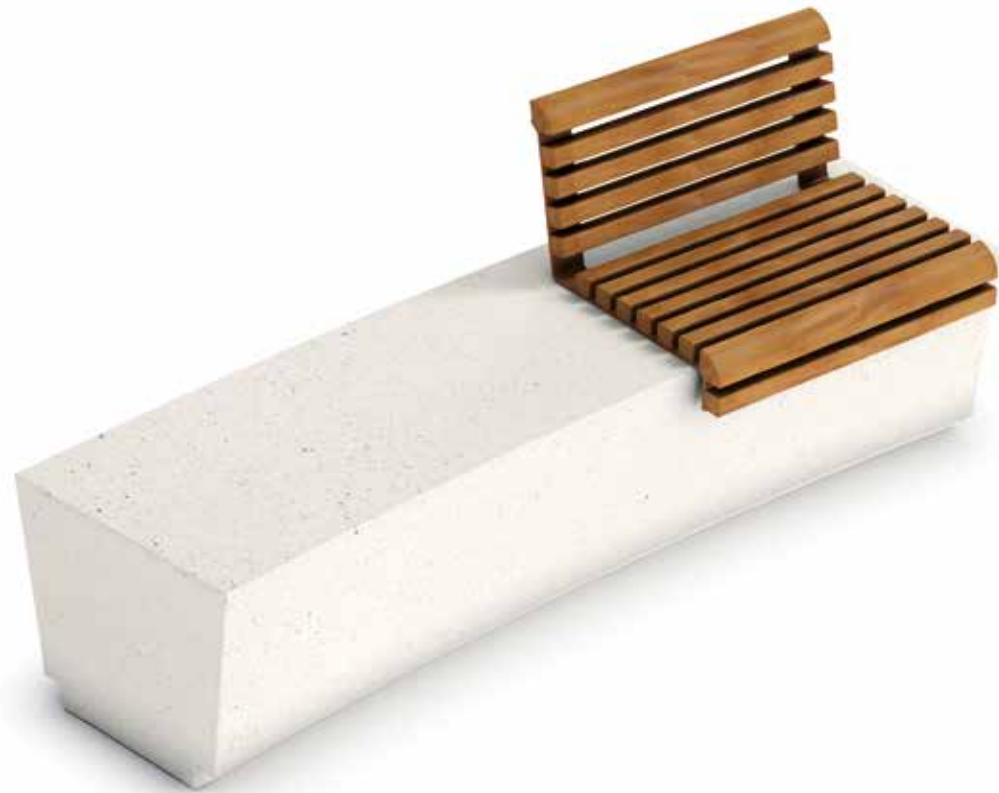
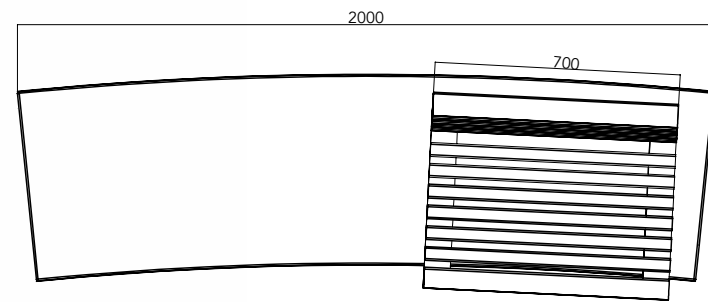
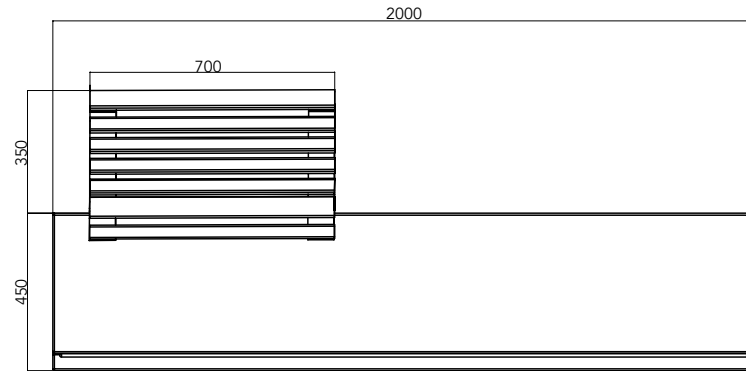
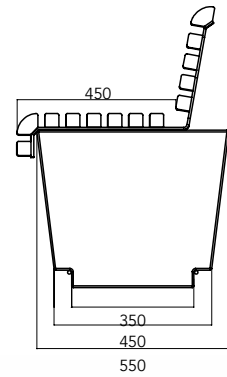


# FLAT EVO3

PANCHINA / BENCH

CODE UL - PNC - 083

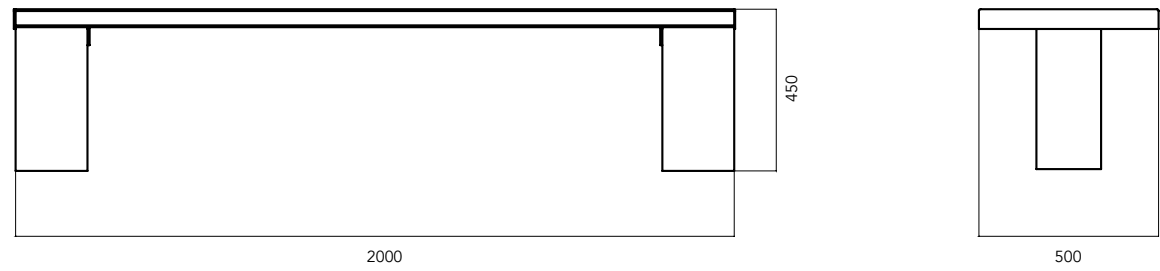
 OPTIONAL LUCE LED / LED LIGHT



# LIBERTY

PANCA / SEAT

CODE UL - PNC - 004

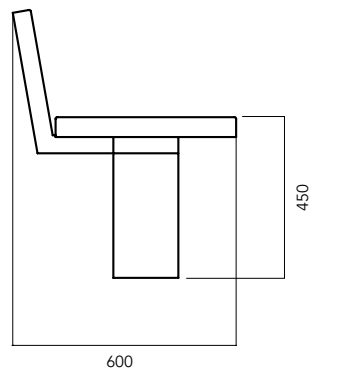




# LIBERTY

PANCHINA / BENCH

CODE UL - PNC - 003





—  
ZIG ZAG

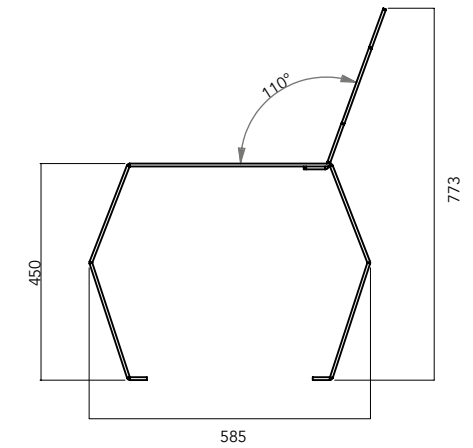
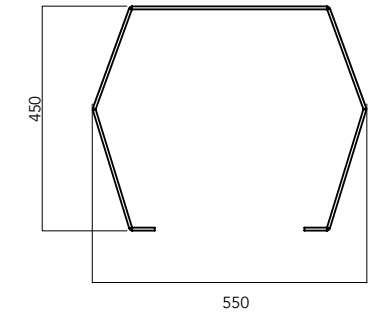
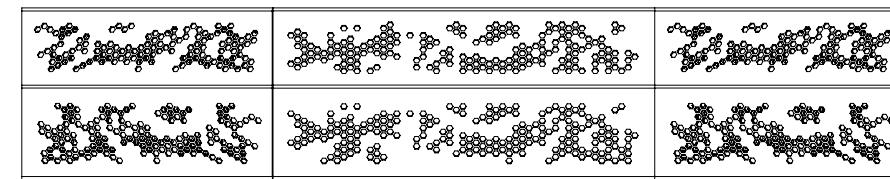


# ZIG ZAG

CODE B UL - PNC - 024



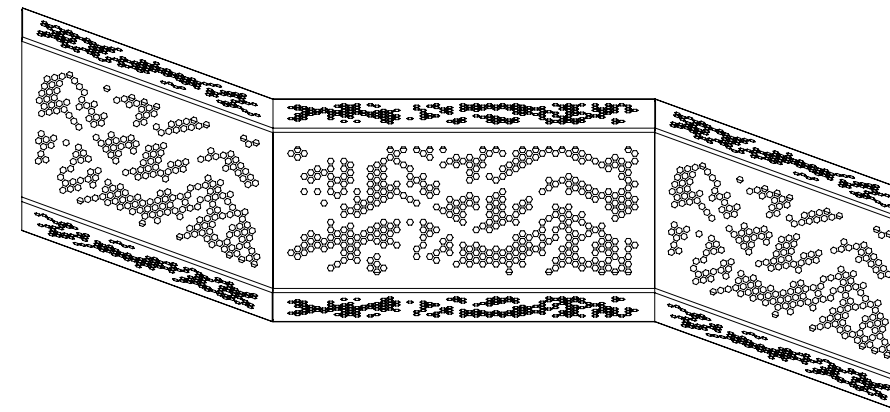
CODE D UL - PNC - 026



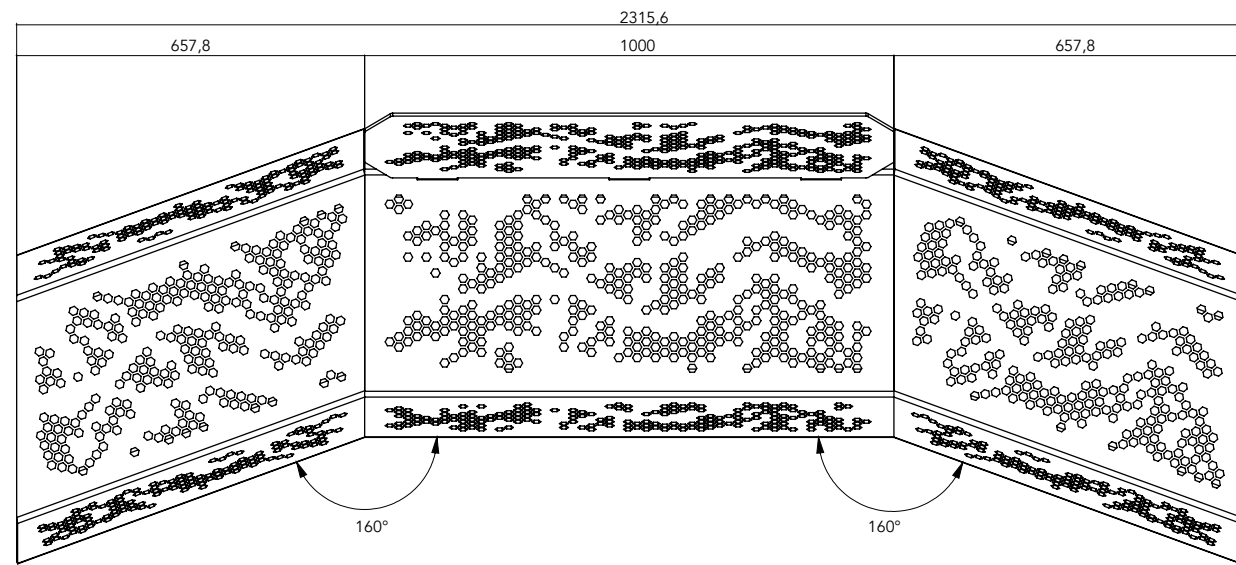
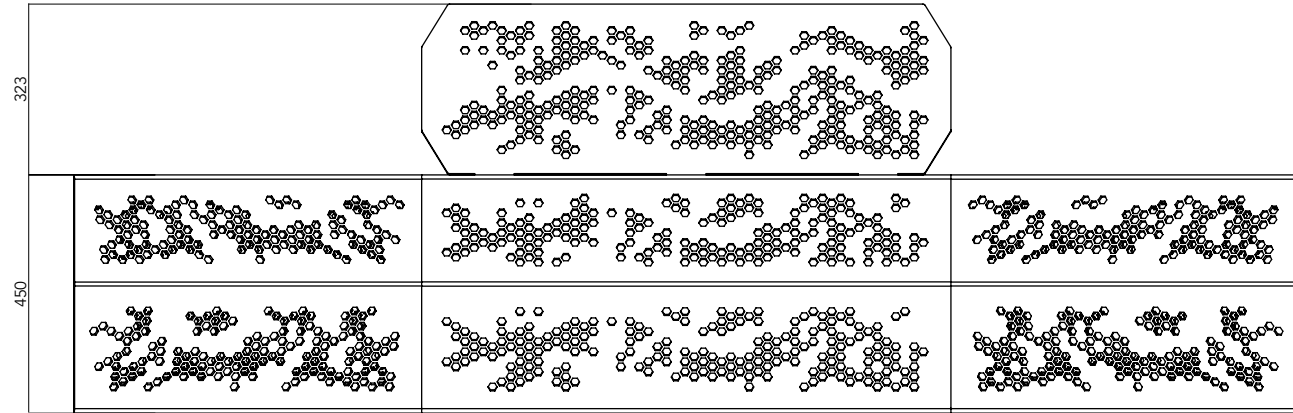
CODE A UL - PNC - 023



CODE C UL - PNC - 025

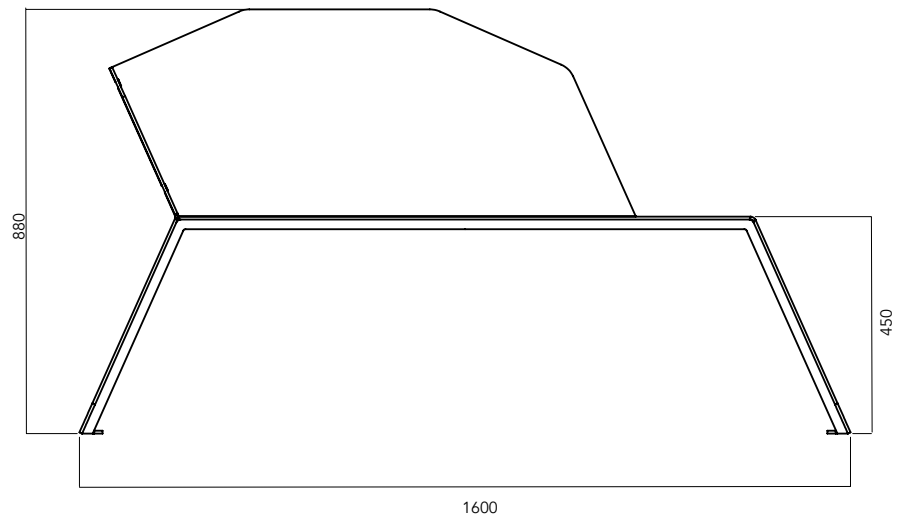


# ZIG ZAG

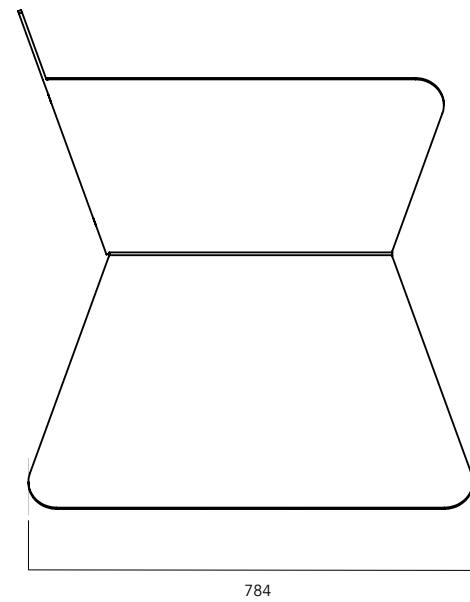




# — EGO A



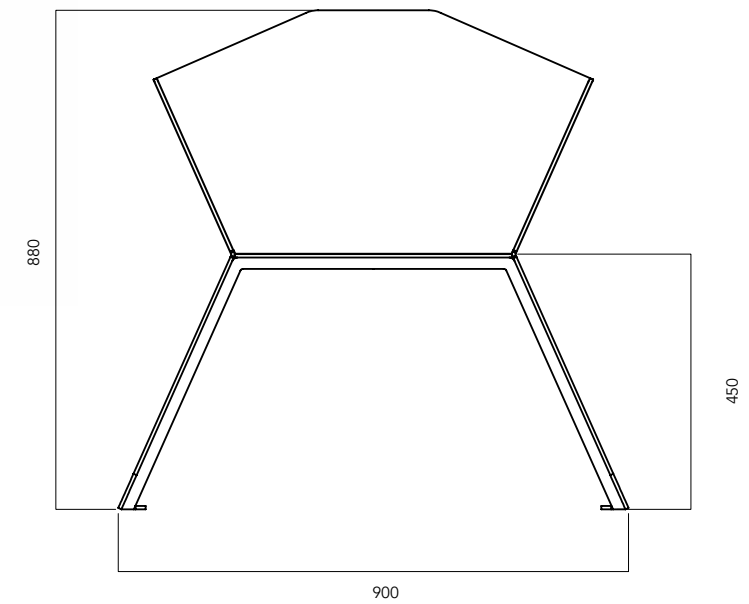
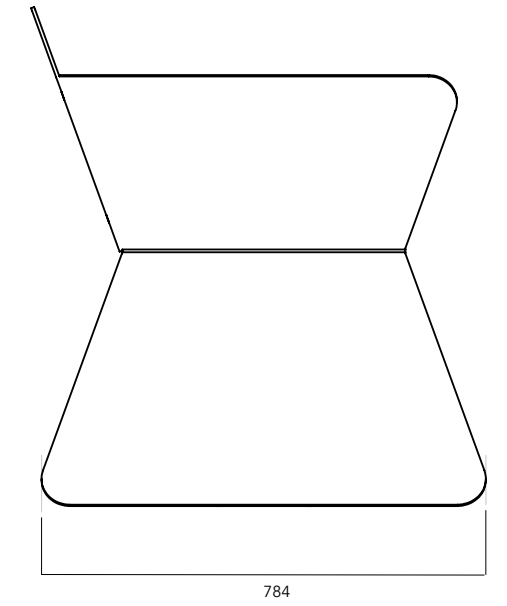
CODE T (TEXTURE) UL - PNC - 033 - E



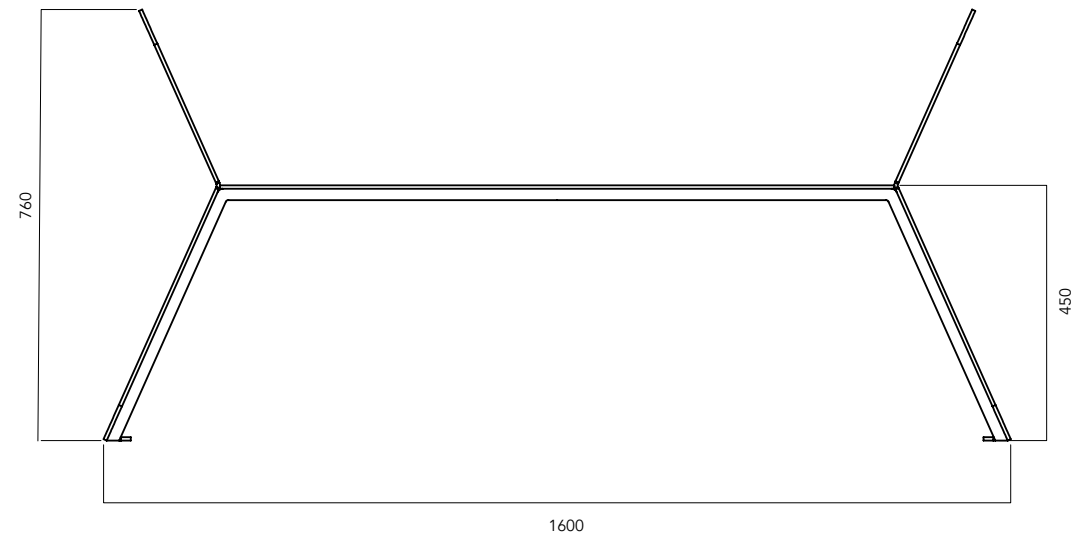
# — EGO B



CODE T (TEXTURE) UL - PNC - 035 - E

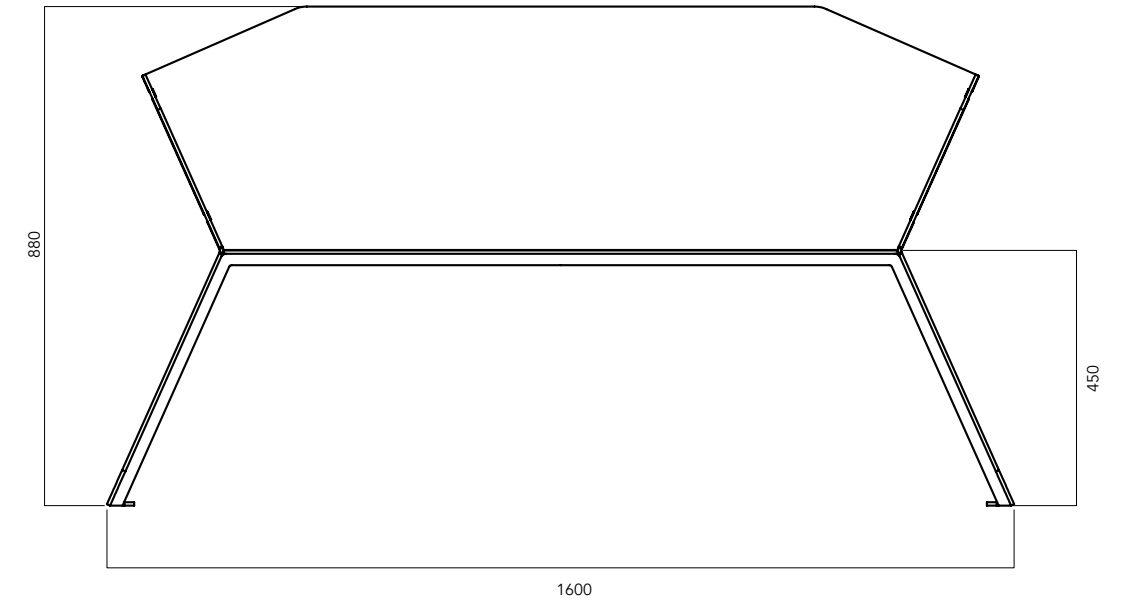


# — EGO C

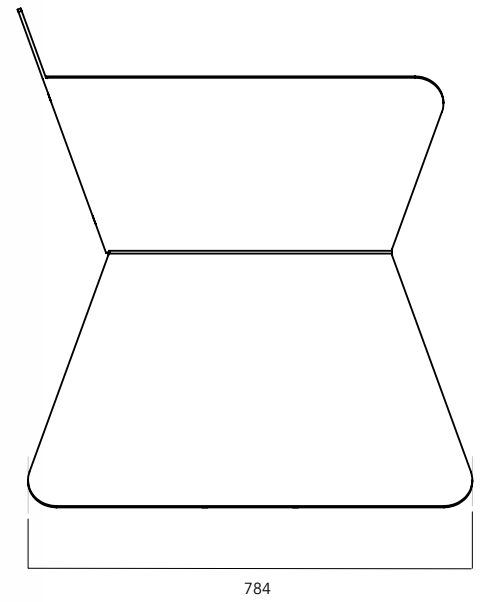
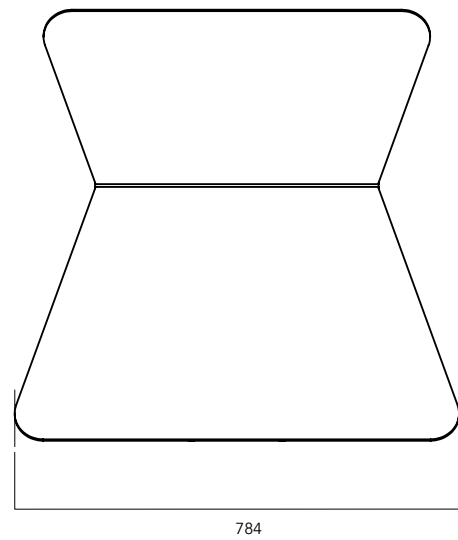


CODE T (TEXTURE) UL - PNC - 037 - E

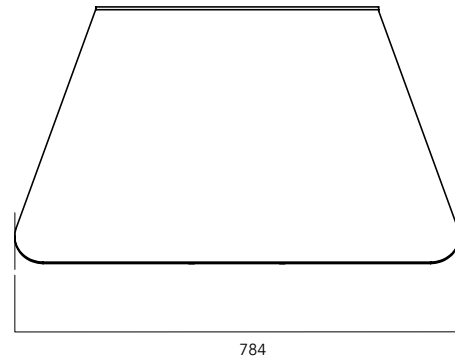
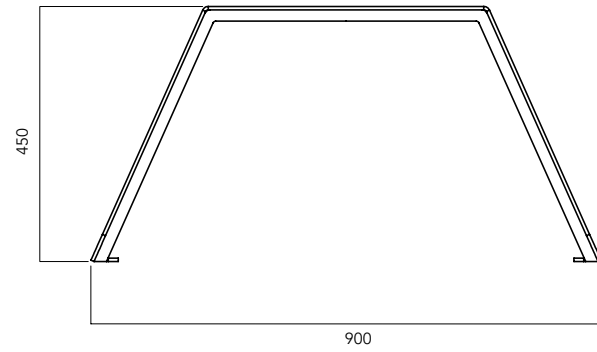
# — EGO D



CODE T (TEXTURE) UL - PNC - 034 - E

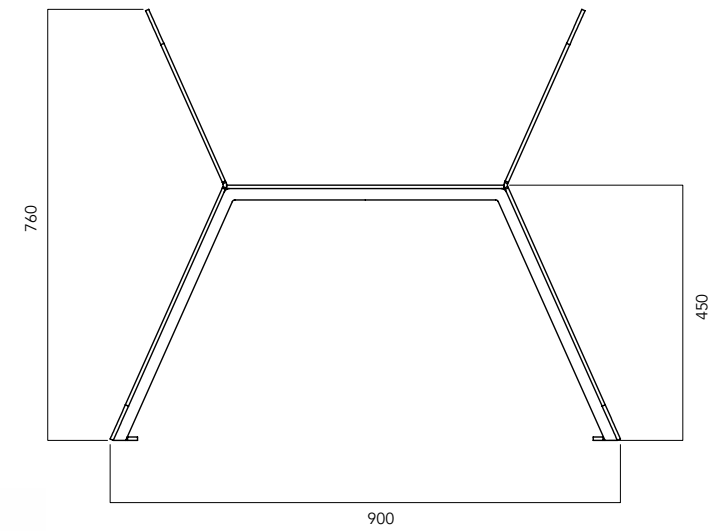


—  
EGO E

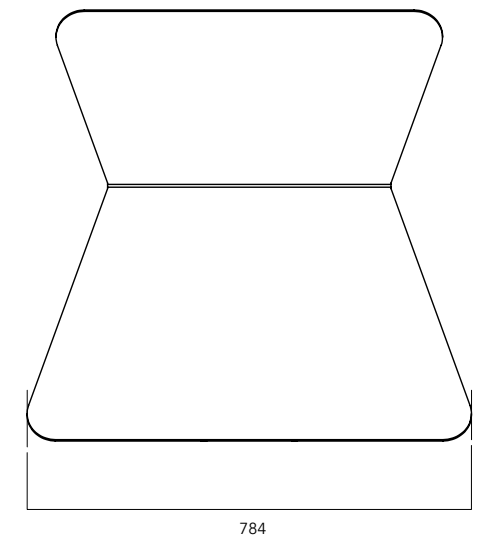


CODE T (TEXTURE) UL - PNC - 038 - E

—  
EGO F



CODE T (TEXTURE) UL - PNC - 036 - E



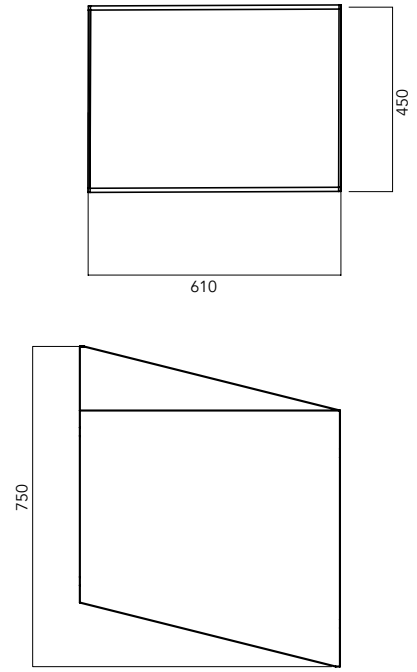




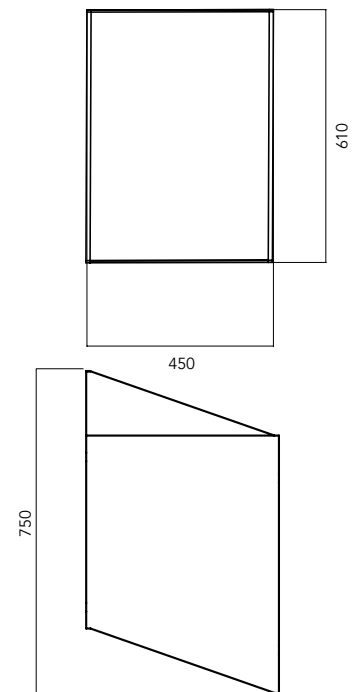
**CLUB**  
SEDUTA / SEAT



CODE A UL - PNC - 009A



CODE B UL - PNC - 009B



# URBAN SHELTER

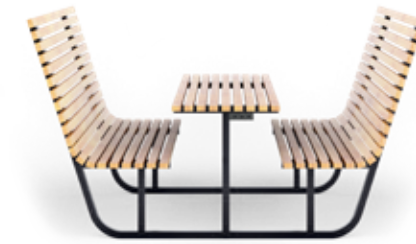
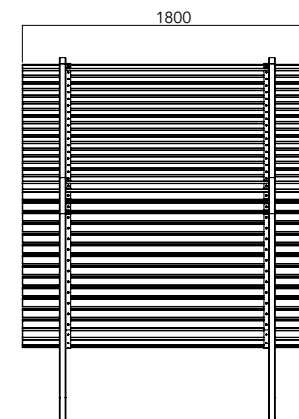
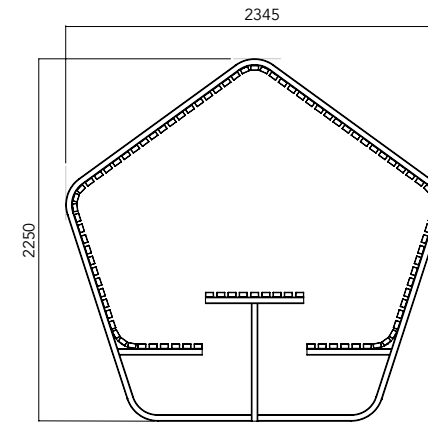
DESIGNED BY MARTIN SOLEM

OPTIONAL LUCE LED / LED LIGHT

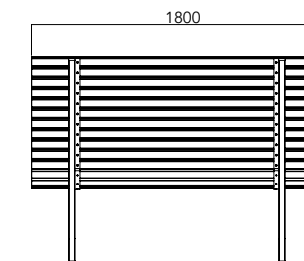
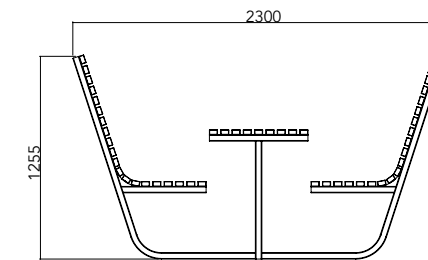
OPTIONAL USB



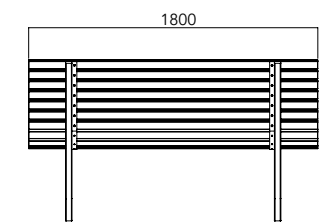
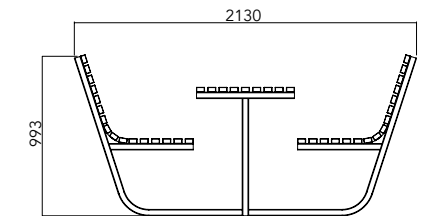
URBAN SHELTER TABLE  
CODE A UL - PNC - 052



URBAN PIC NIC L  
CODE UL - PNC - 053



URBAN PIC NIC M  
CODE UL - PNC - 054





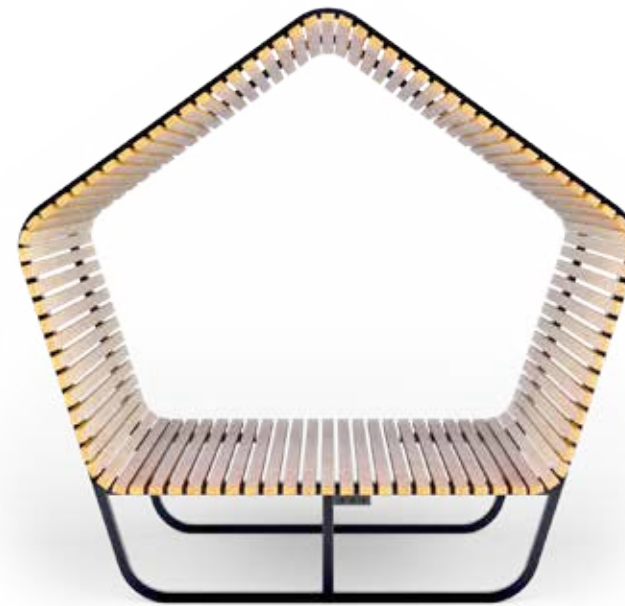
URBAN RELAX M  
CODE UL - PNC - 057



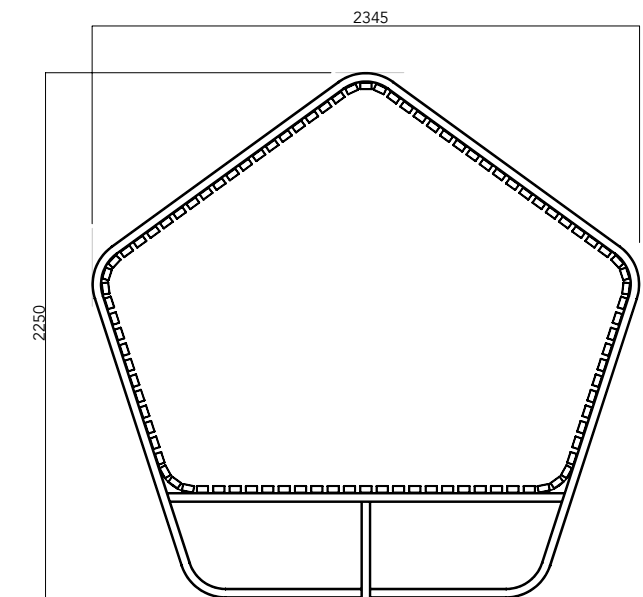
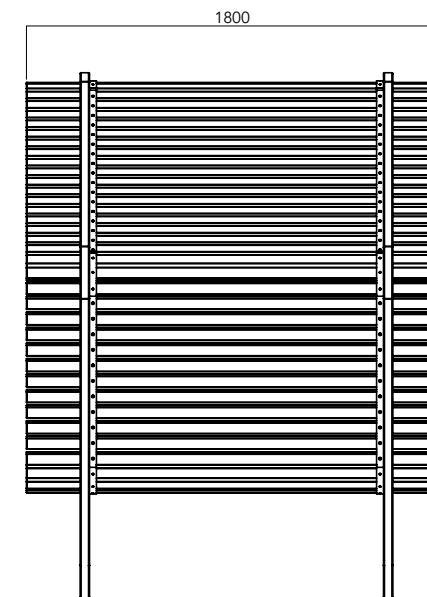
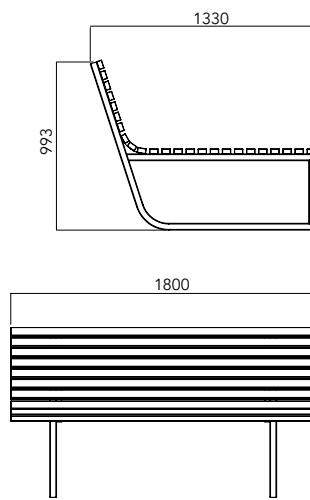
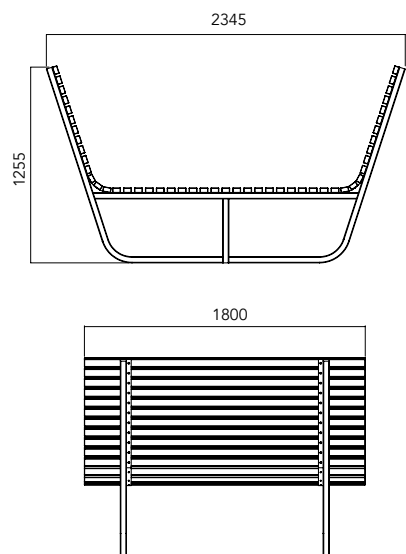
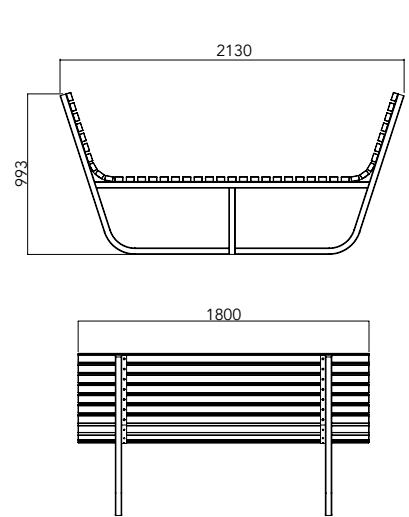
URBAN RELAX L  
CODE UL - PNC - 056



URBAN RELAX S  
CODE UL - PNC - 058



URBAN SHELTER RELAX  
CODE UL - PNC - 055





—  
MALL COLLECTION



—  
MALL COLLECTION

# MALL

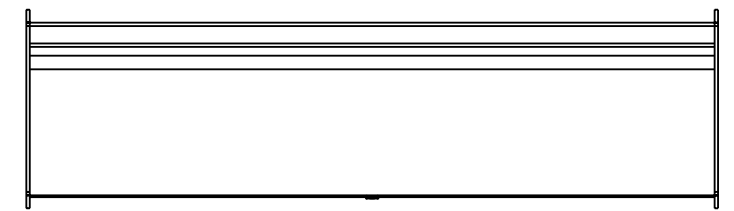
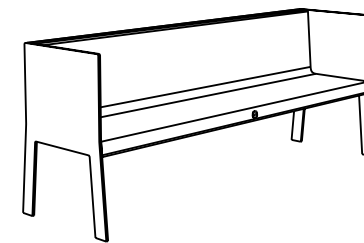
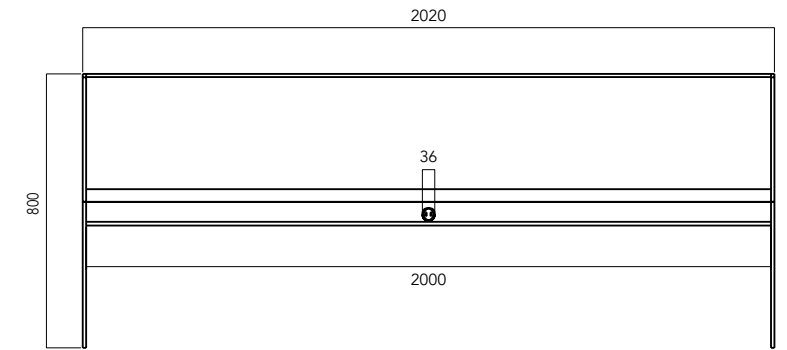
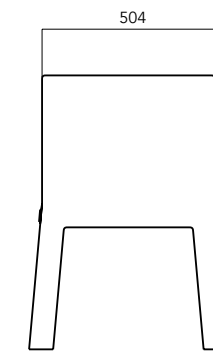
PANCA e PANCHINA / SEAT and BENCH



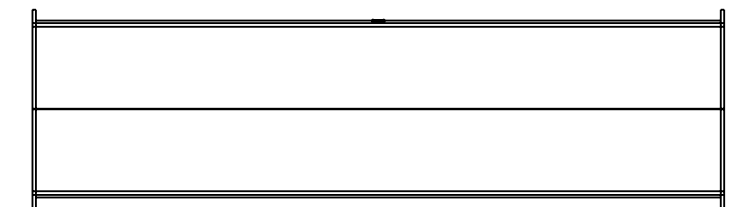
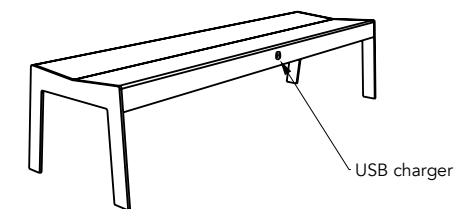
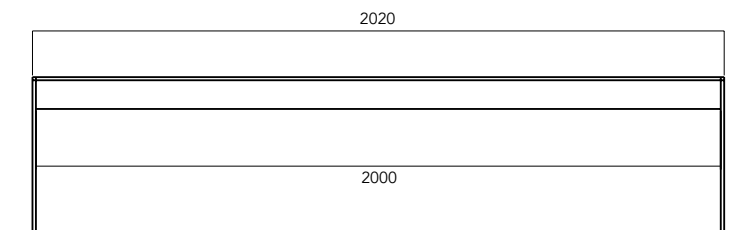
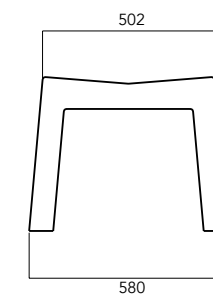
OPTIONAL USB



CODE UL - PNC - 081



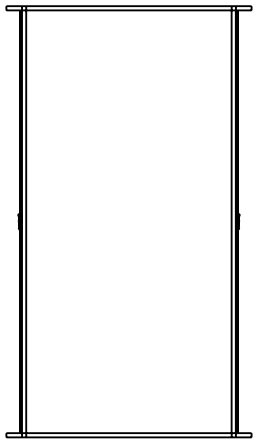
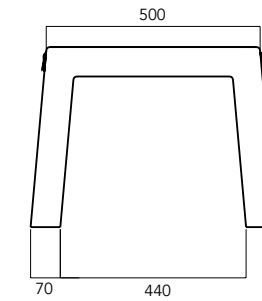
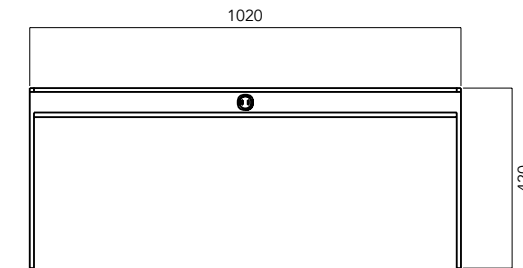
CODE UL - PNC - 082



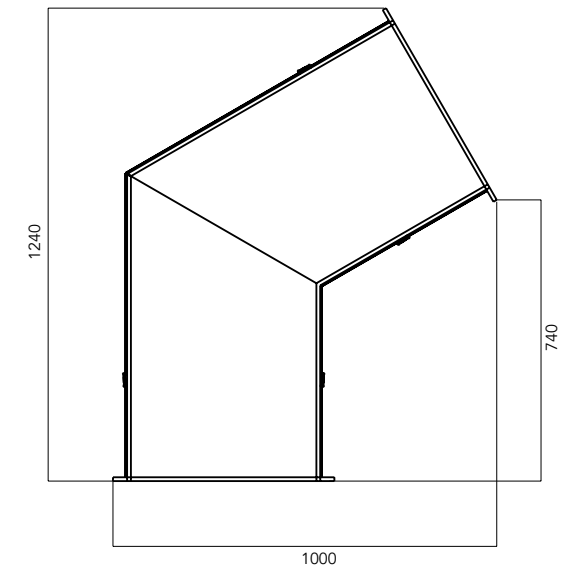
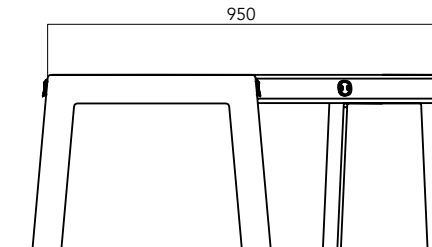
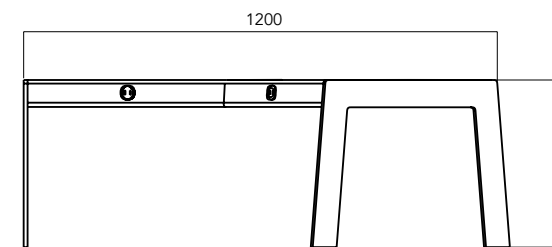
# MALL

TAVOLINO e TAVOLINO 60 / TABLE and TABLE 60

CODE UL - PNC - TVL1



CODE UL - PNC - TVL2



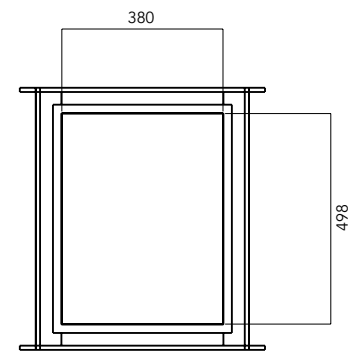
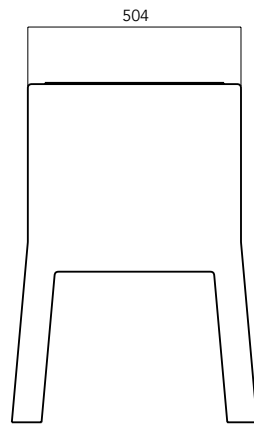
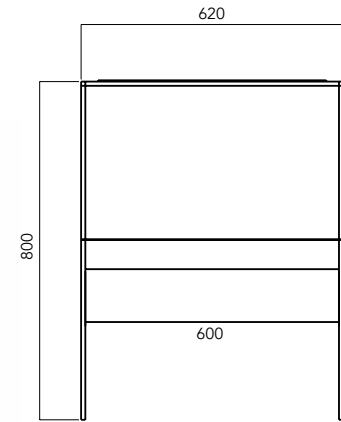




# MALL

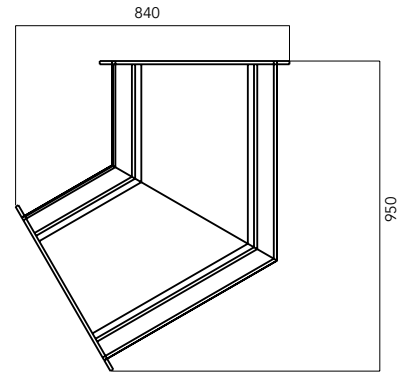
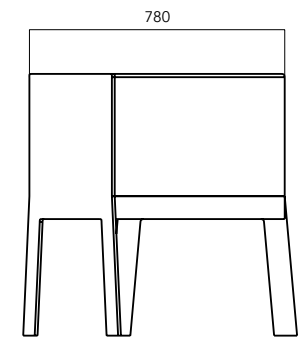
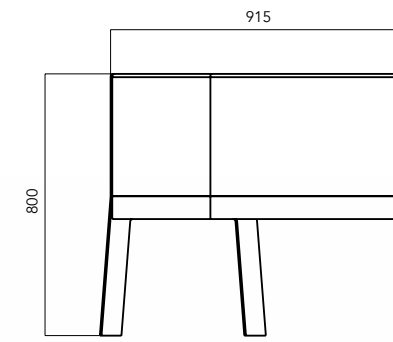
## FIORIERA / PLANTER

CODE UL - PNC - FRR84



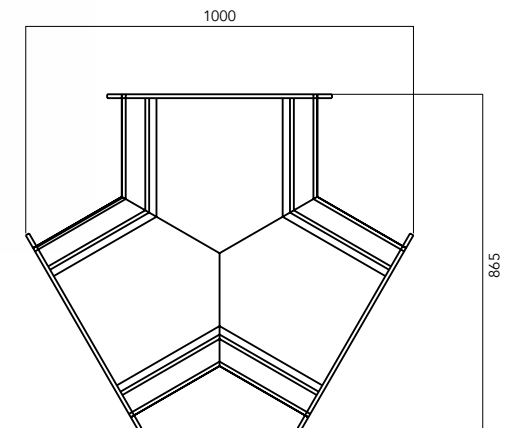
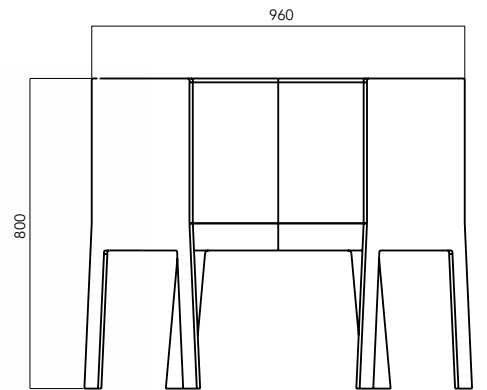
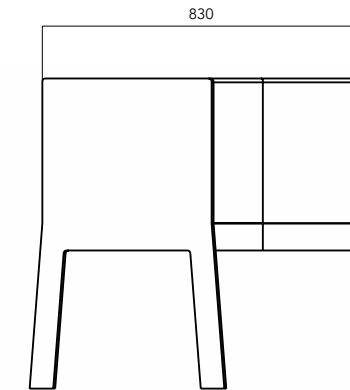
## FIORIERA 60 / PLANTER 60

CODE UL - PNC - FRR85



## FIORIERA 3 VIE / PLANTER 3 VIE

CODE UL - PNC - FRR86





—  
MALL ELES

# MALL ELES

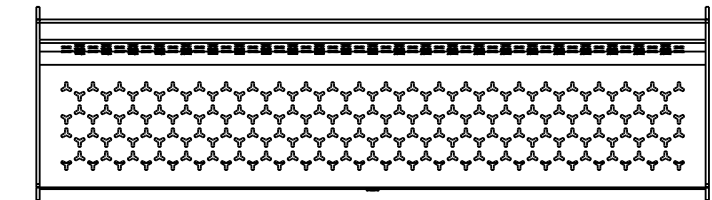
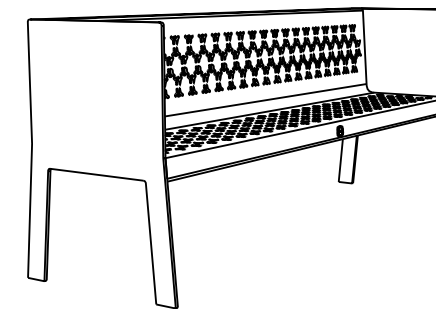
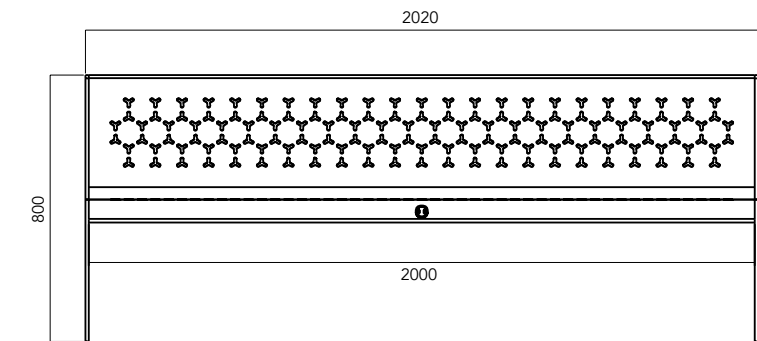
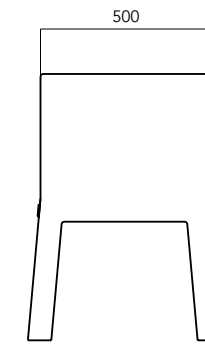
PANCA e PANCHINA / SEAT and BENCH



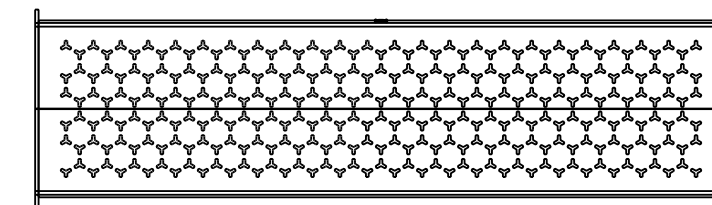
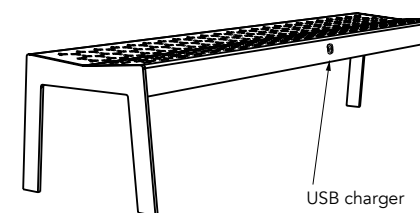
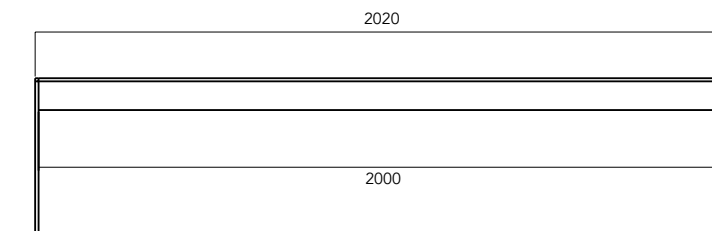
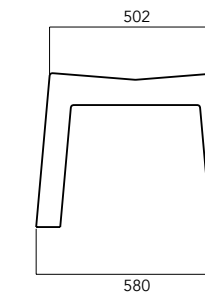
OPTIONAL USB



CODE UL - PNC - 081EL



CODE UL - PNC - 082EL

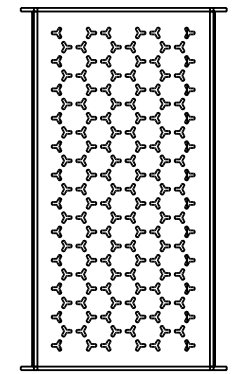
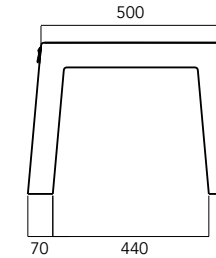
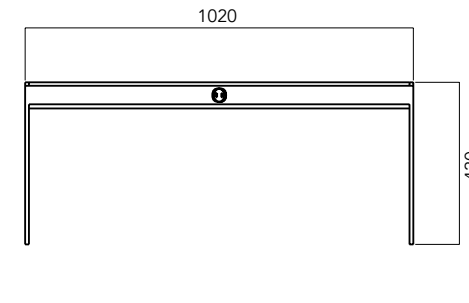


# MALL ELES

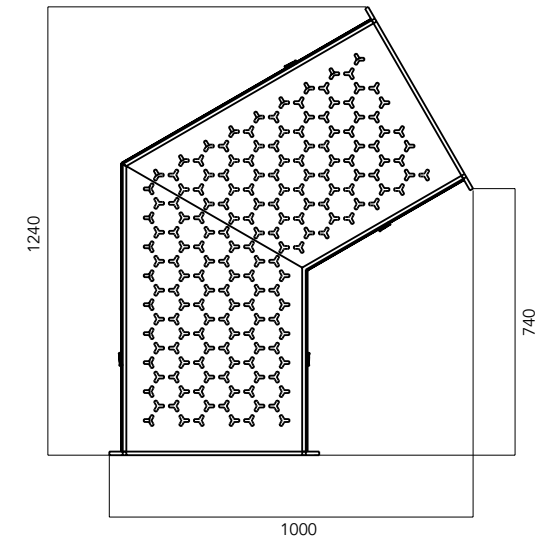
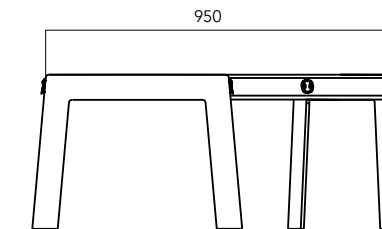
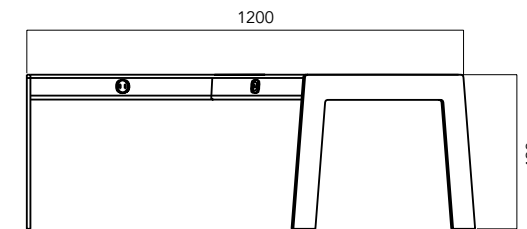
TAVOLINO e TAVOLINO 60 / TABLE and TABLE 60



CODE UL - PNC - TVL1EL

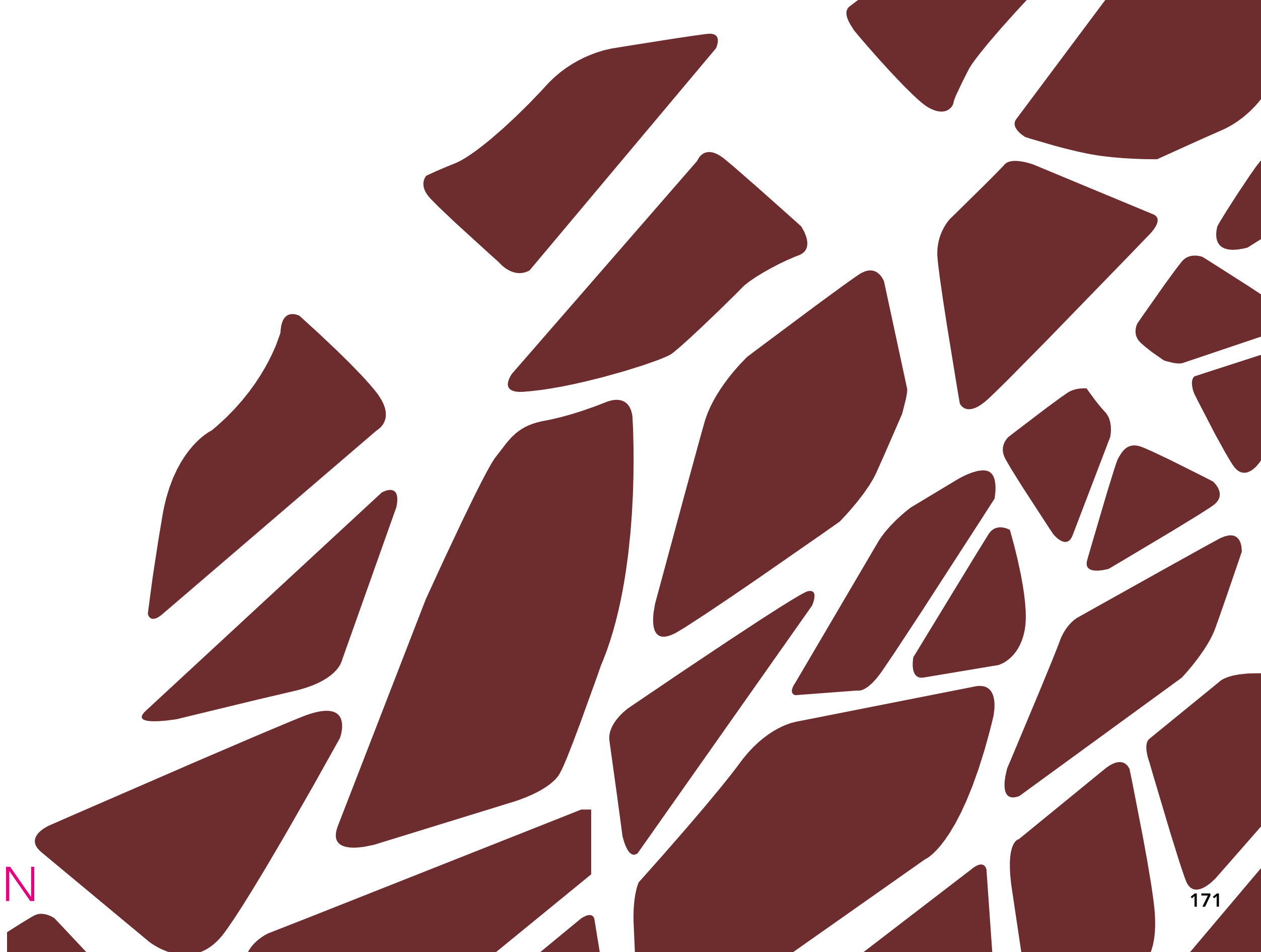


CODE UL - PNC - TVL2EL





—  
MALL ELES



—  
RAMAGE COLLECTION

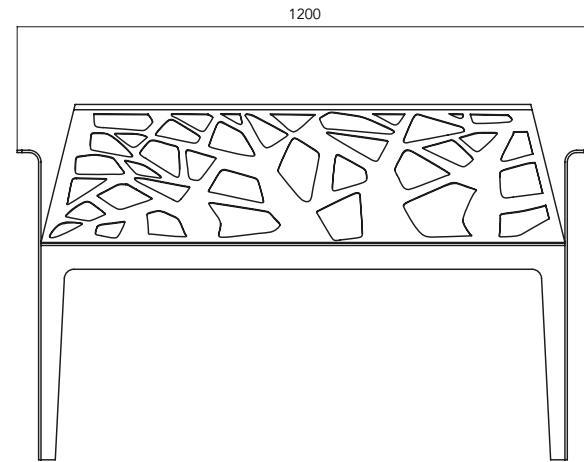
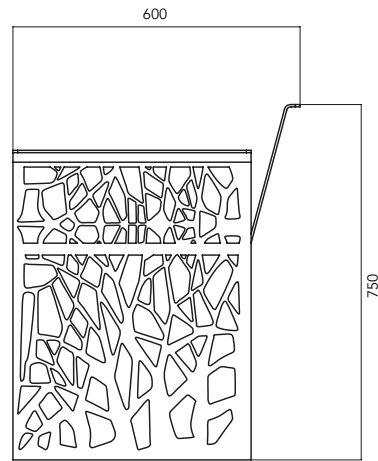


—  
RAMAGE COLLECTION

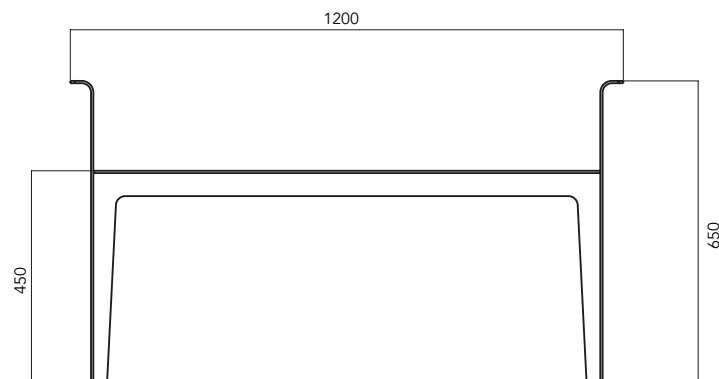
# RAMAGE

PANCA e PANCHINA / SEAT and BENCH

CODE UL - PNC - 83



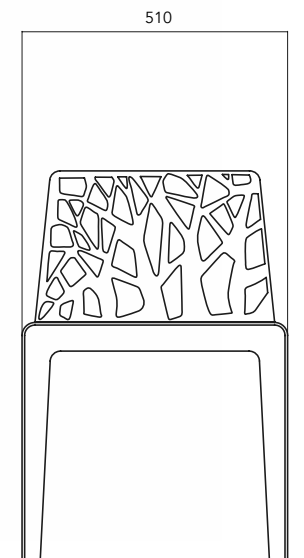
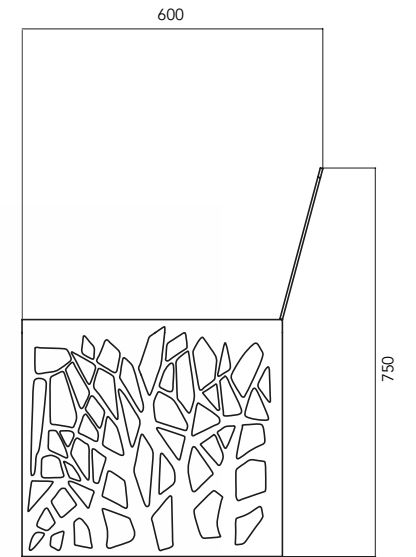
CODE UL - PNC - 84



# RAMAGE

SEDIA / CHAIR

CODE UL - PNC - 85

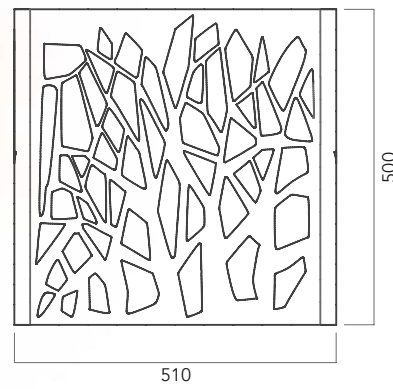
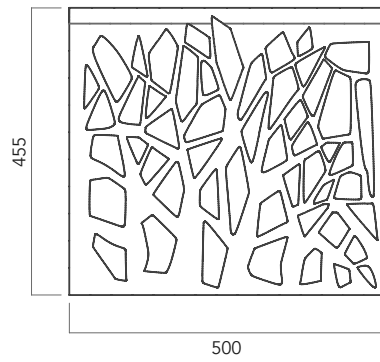
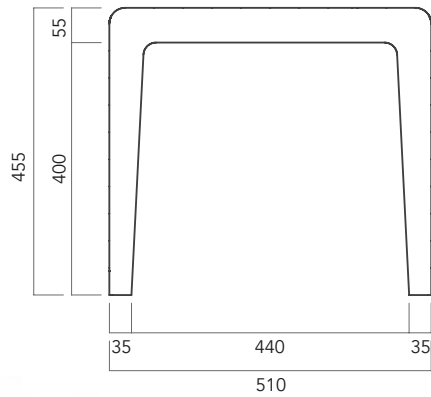




# RAMAGE

TAVOLINO / TABLE

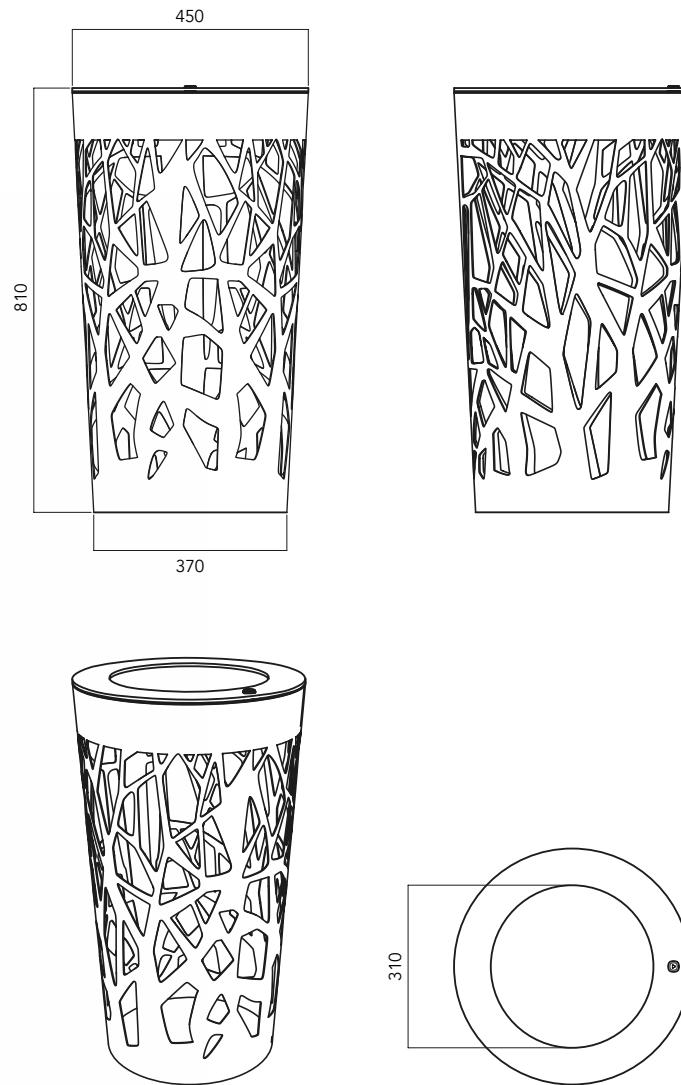
CODE UL - TVL - 03



# RAMAGE

CESTINO / LITTER BIN

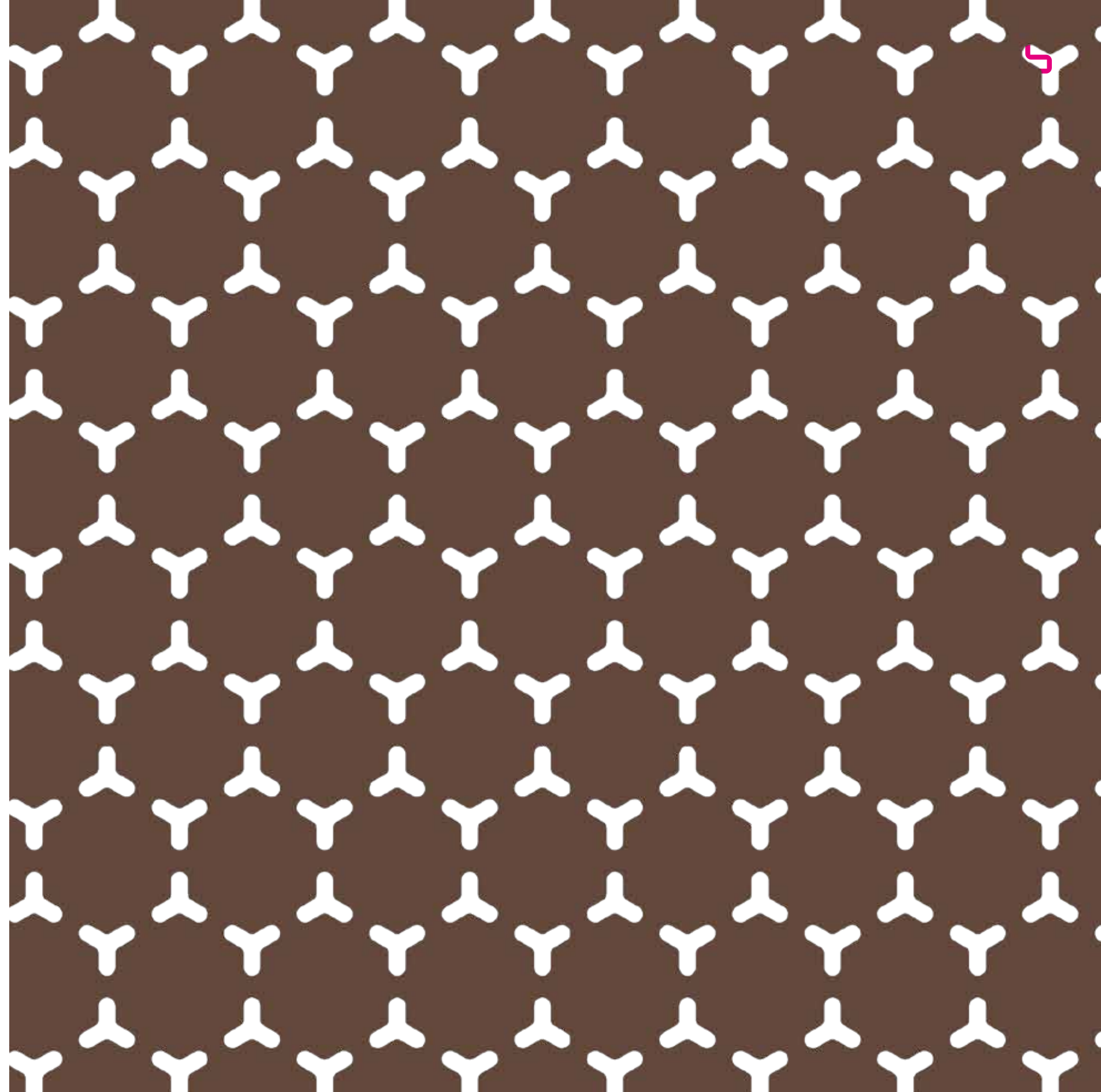
CODE UL - CST - 86



---

# ELES COLLECTION

DESIGNED BY RAMOS BASSOLS

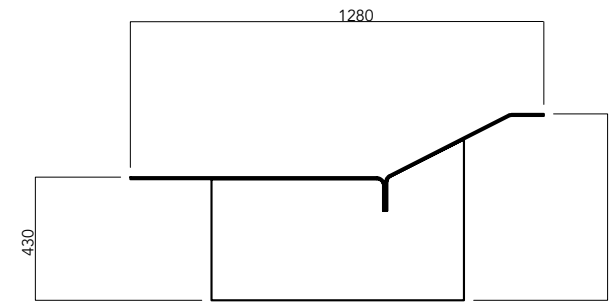


—  
**ELES**  
CHAISE LONGUE

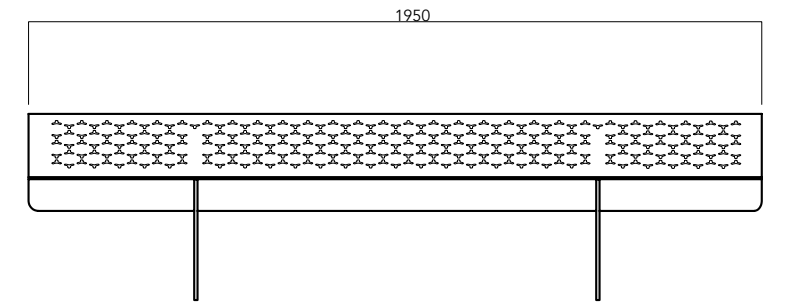


# ELES

CHAISE LONGUE

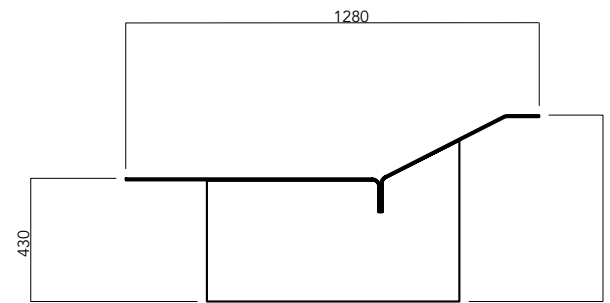


CHAISE LONGUE A

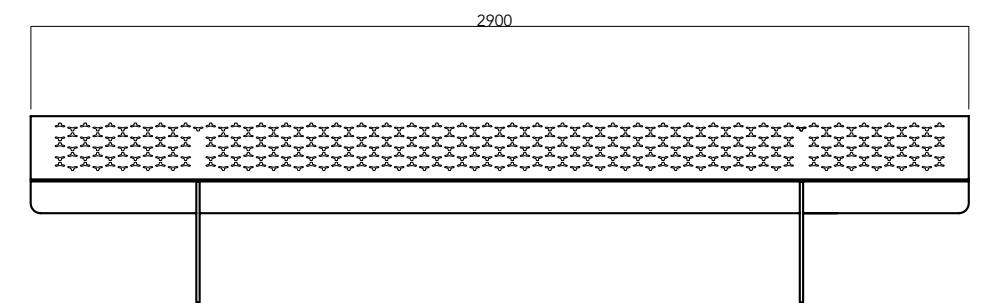


CON PIASTRA / WITH PLATE  
CODE UL - PNC - 076

DA CEMENTARE / TO BE CEMENTED  
CODE UL - PNC - 076 - S



CHAISE LONGUE B

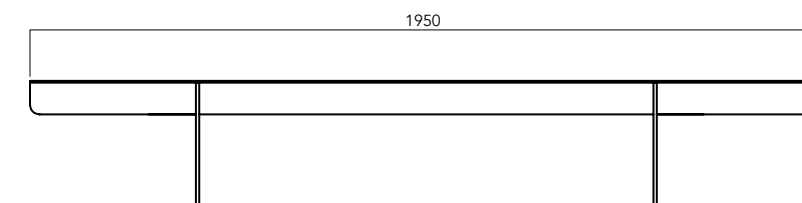
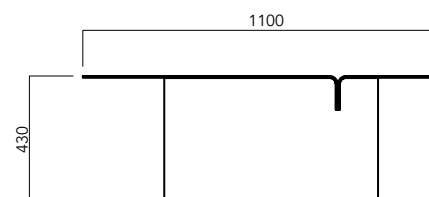
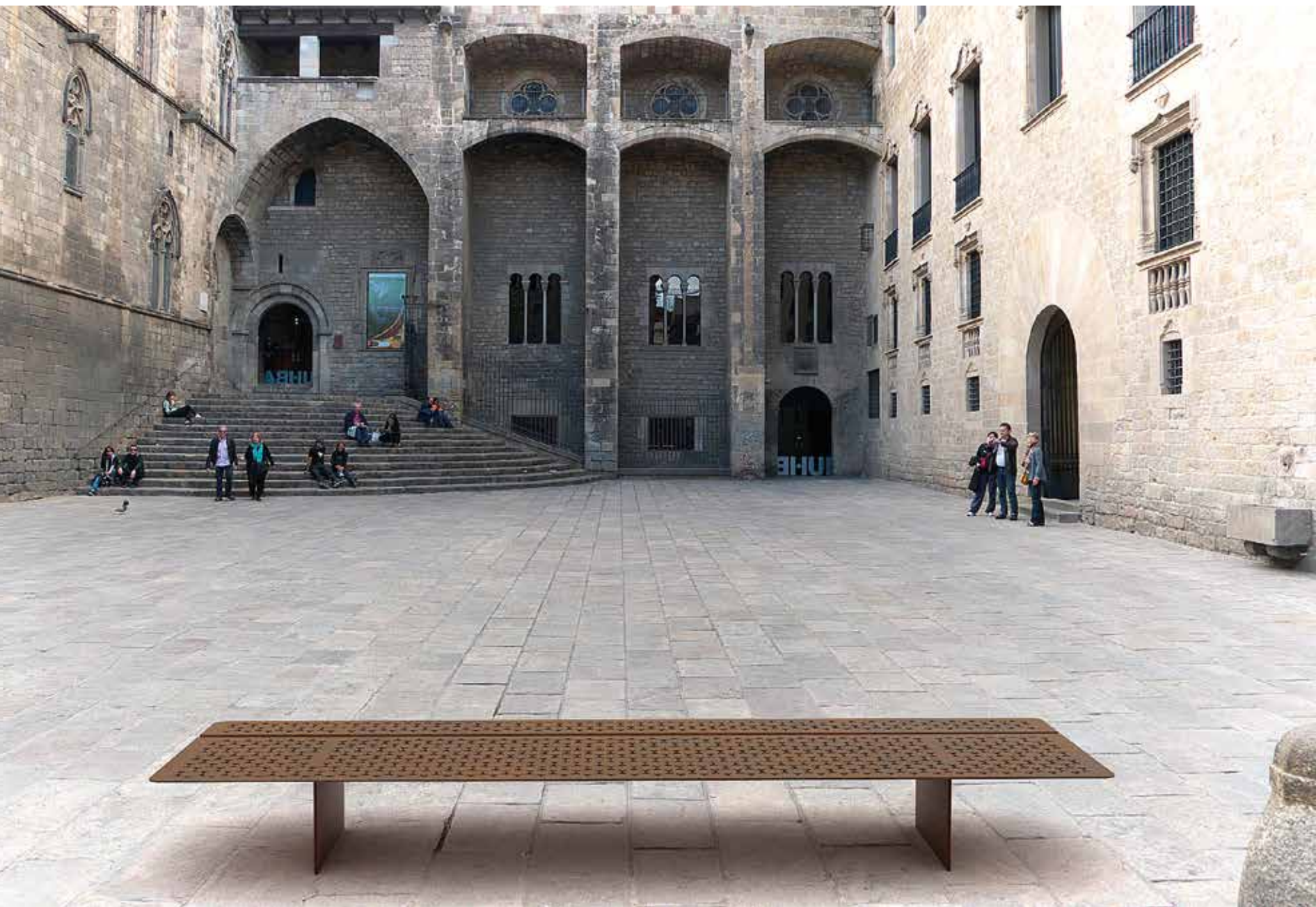


CON PIASTRA / WITH PLATE  
CODE UL - PNC - 077

DA CEMENTARE / TO BE CEMENTED  
CODE UL - PNC - 077 - S

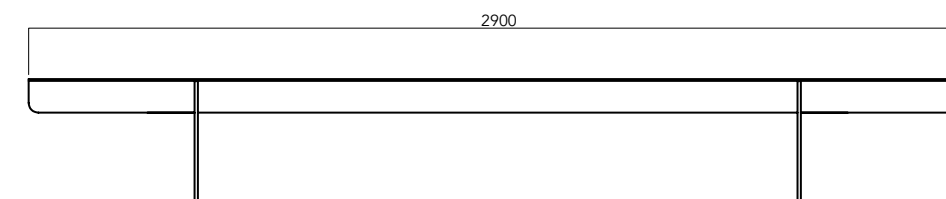
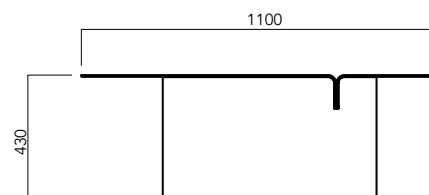
# ELES

PANCA / SEAT



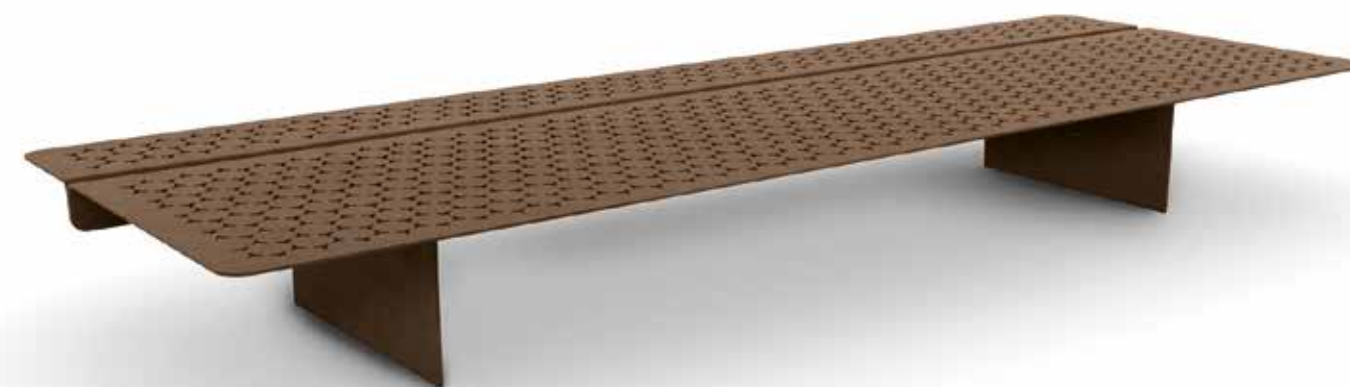
CON PIASTRA / WITH PLATE  
CODE UL - PNC - 074

DA CEMENTARE / TO BE CEMENTED  
CODE UL - PNC - 074 - S



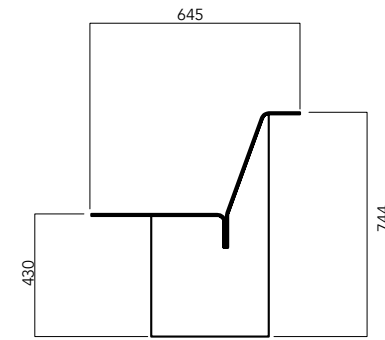
CON PIASTRA / WITH PLATE  
CODE UL - PNC - 075

DA CEMENTARE / TO BE CEMENTED  
CODE UL - PNC - 075 - S

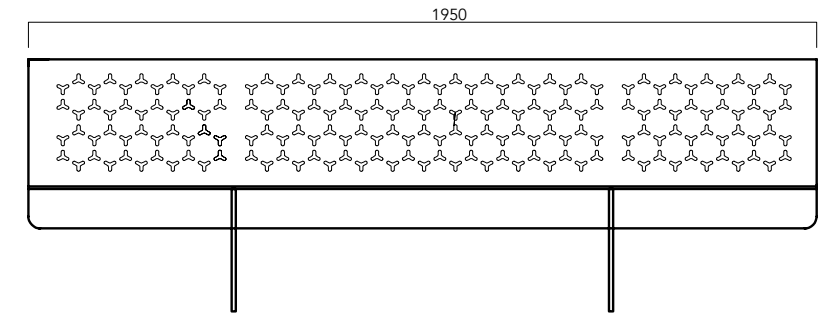


# ELES

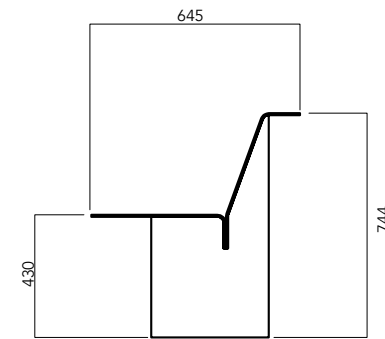
PANCHINA / BENCH



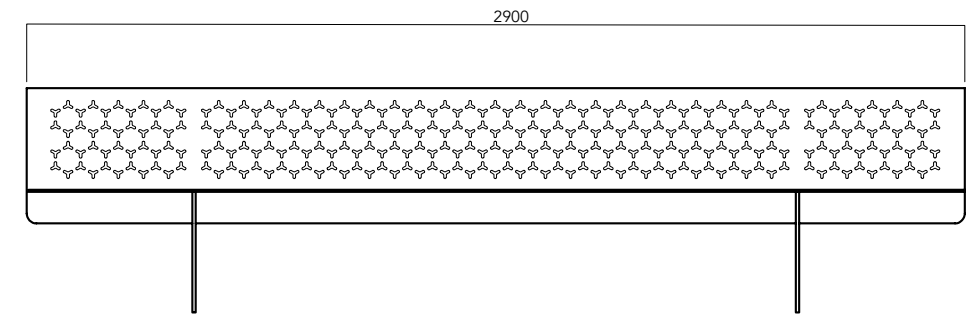
CON PIASTRA / WITH PLATE  
CODE UL - PNC - 070



DA CEMENTARE / TO BE CEMENTED  
CODE UL - PNC - 070 - S



CON PIASTRA / WITH PLATE  
CODE UL - PNC - 071

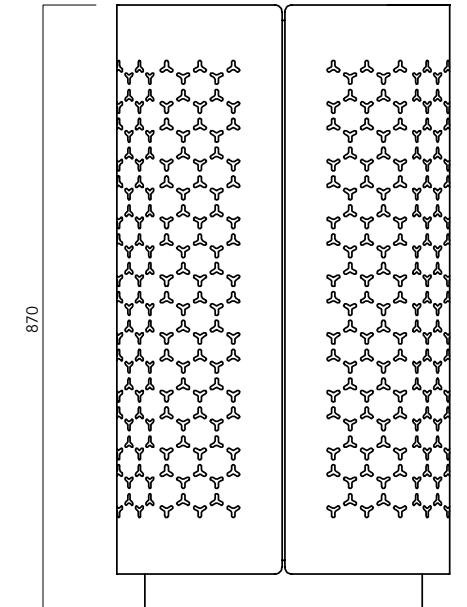
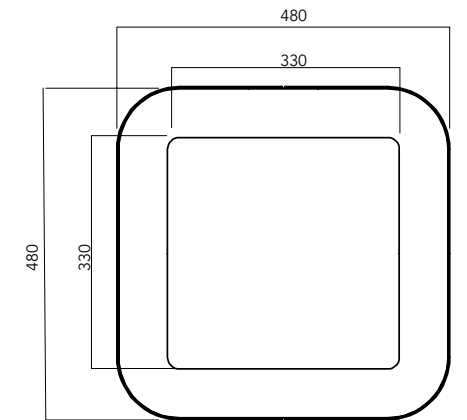
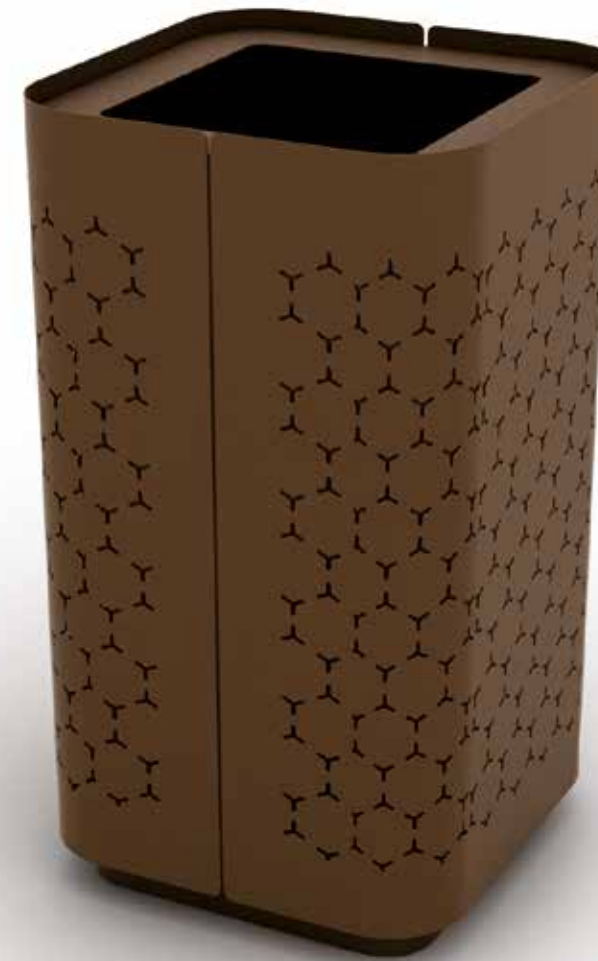


DA CEMENTARE / TO BE CEMENTED  
CODE UL - PNC - 071 - S



# ELES

CESTINO / LITTER BIN CODE UL - CST - 033





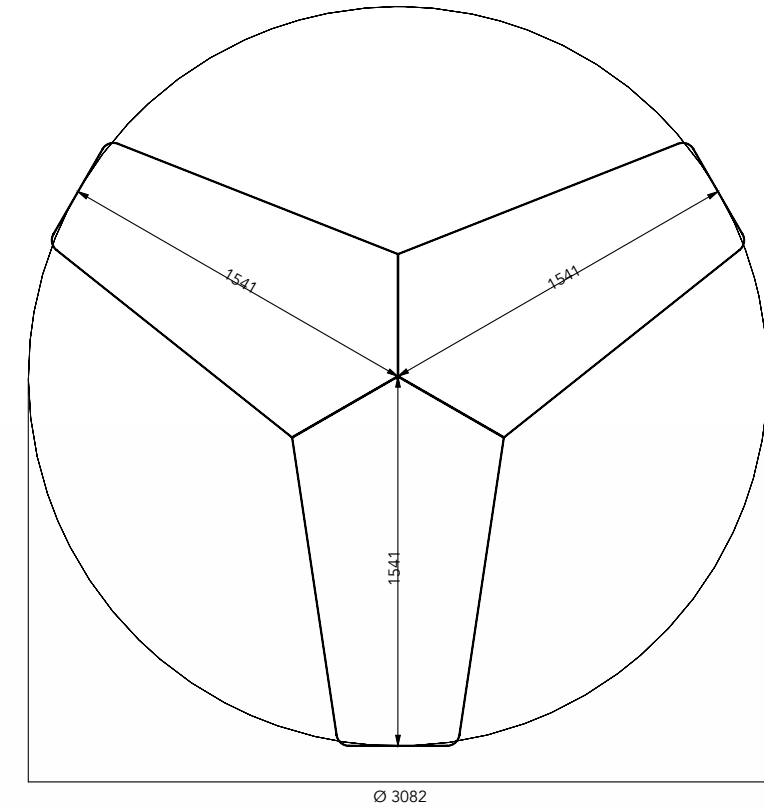
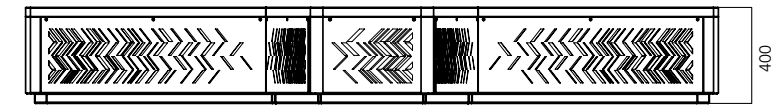
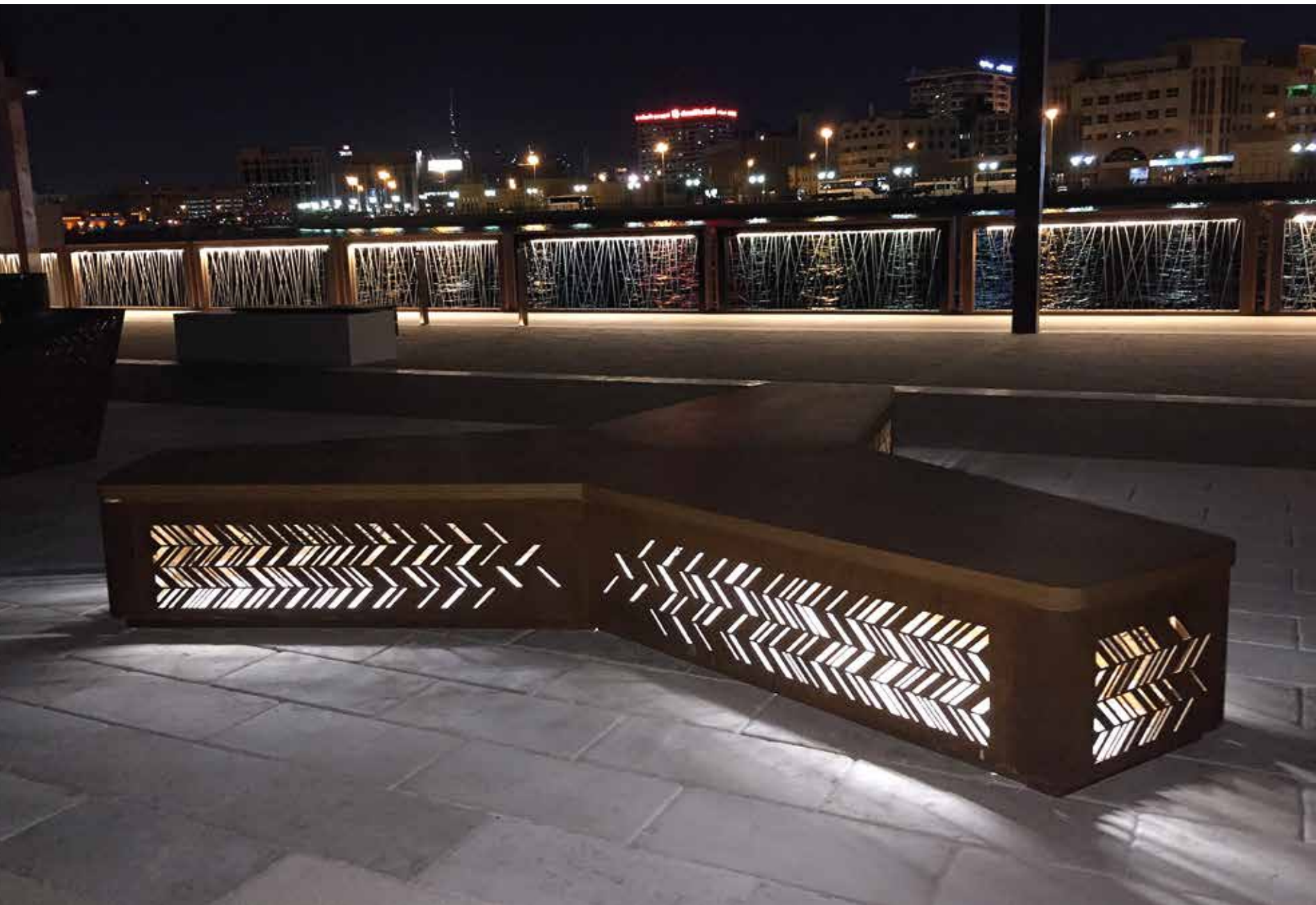
—  
CHARM COLLECTION



# CHARM

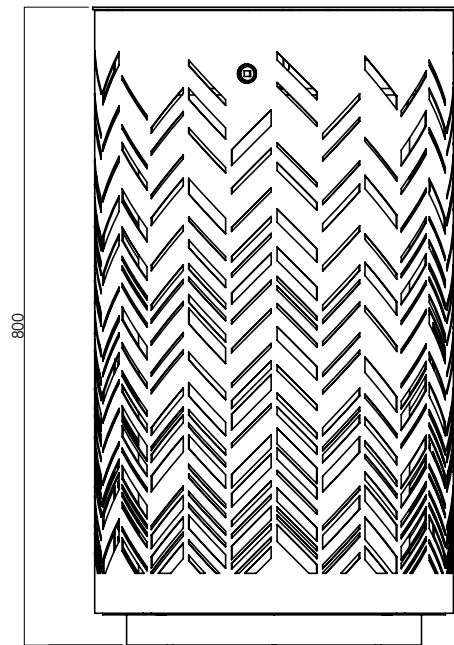
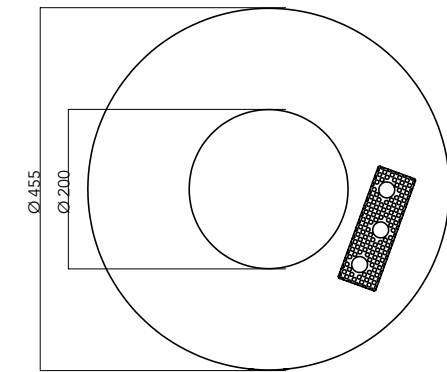
PANCA / SEAT CODE UL - PNC - 079

OPTIONAL LUCE LED / LED LIGHT OPTIONAL USB



# CHARM

CESTINO / LITTER BIN CODE UL - CST - 034

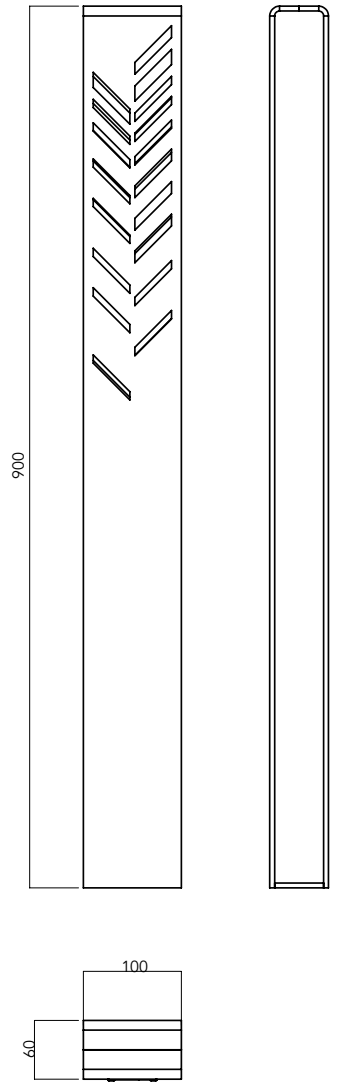


PATTERN NOT AVAILABLE FOR THE UAE MARKET

# CHARM

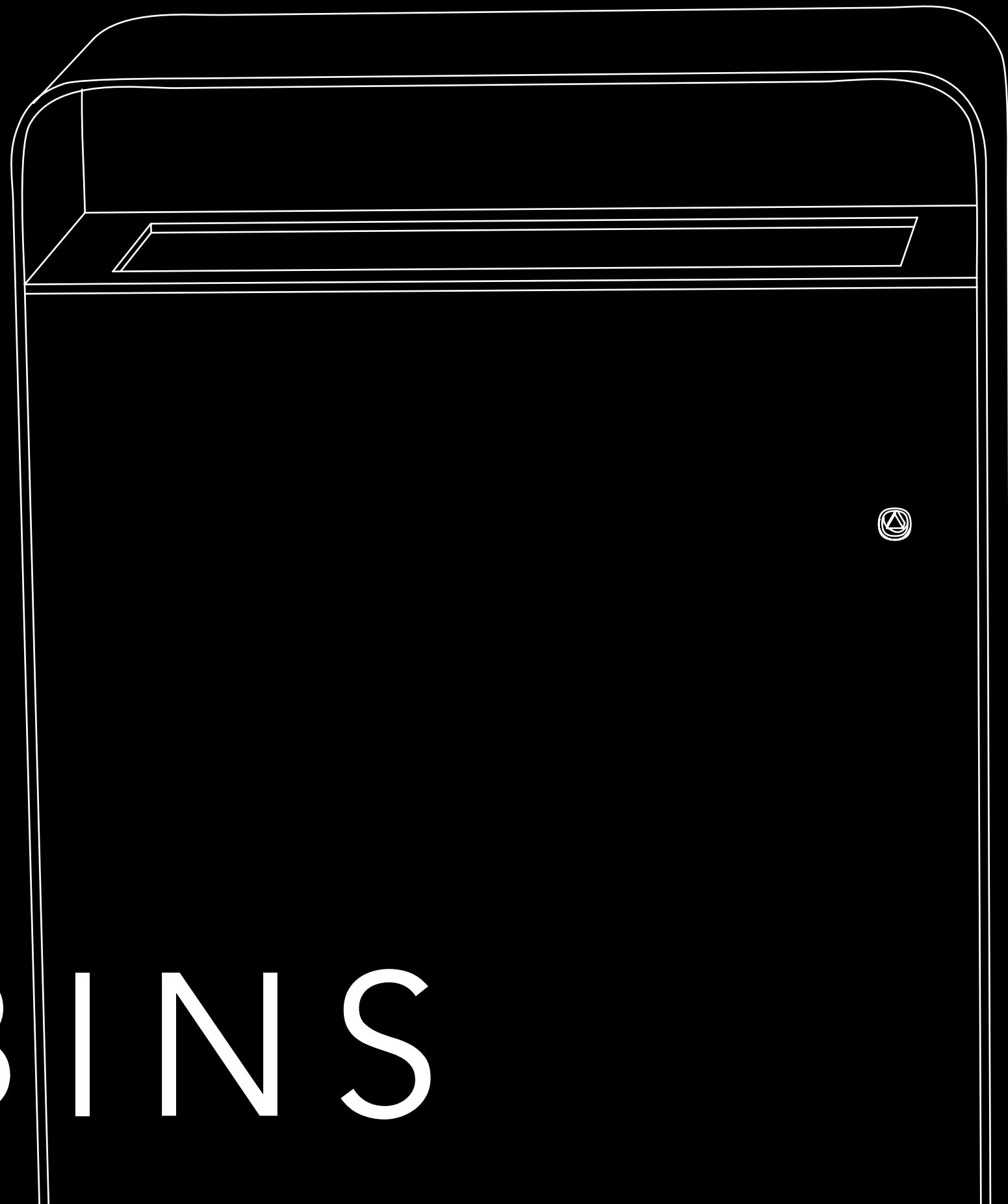
DISSUASORE / BOLLARD CODE UL - DSR - 011

OPTIONAL LUCE LED / LED LIGHT



PATTERN NOT AVAILABLE FOR THE UAE MARKET

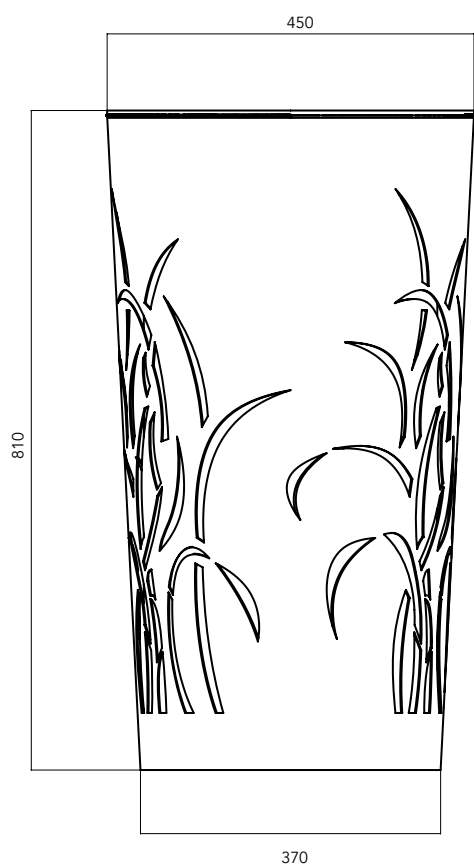
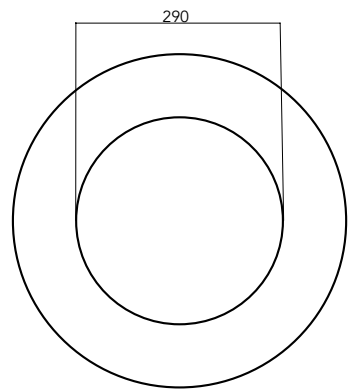
# CESTINI LITTER BINS



# GRASS CONIC

CODE UL - CST - 013

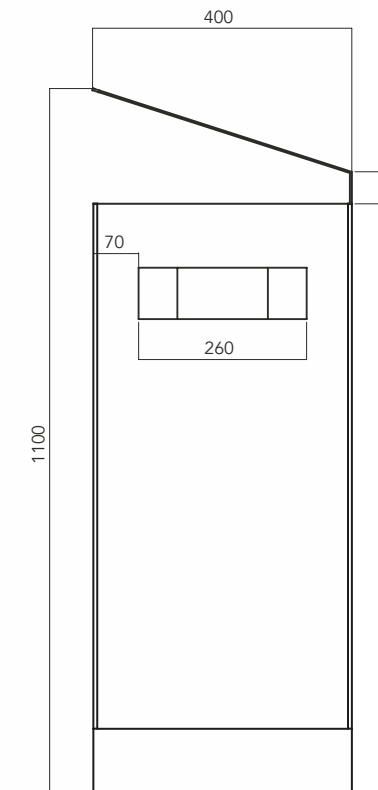
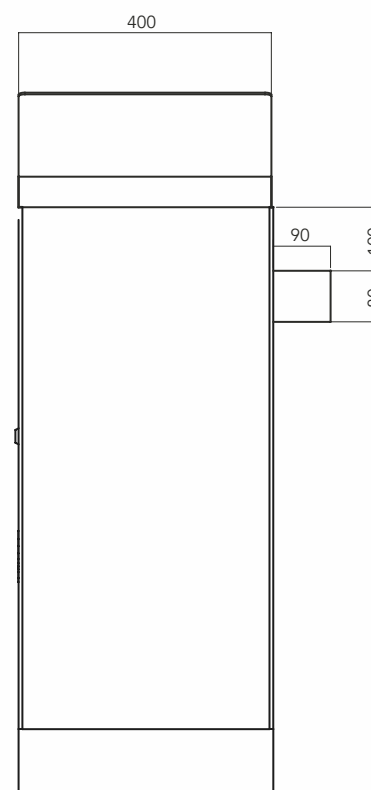
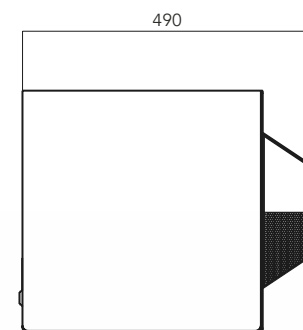
C: 80 LT



# NAVY

CODE UL - CST - 087

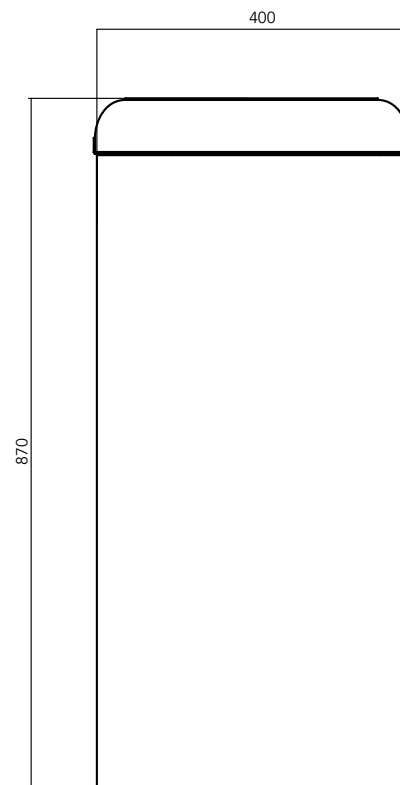
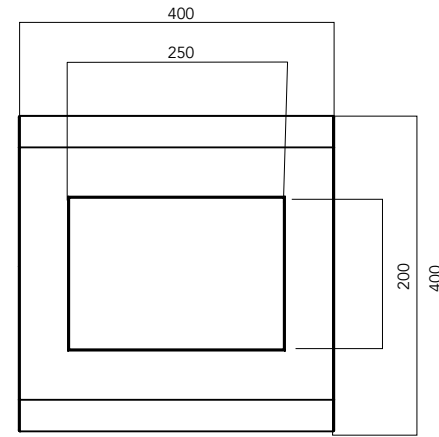
C: 60 LT



# LIGHT

CODE UL - CST - 020

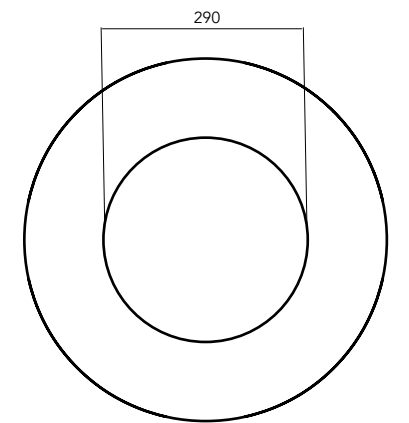
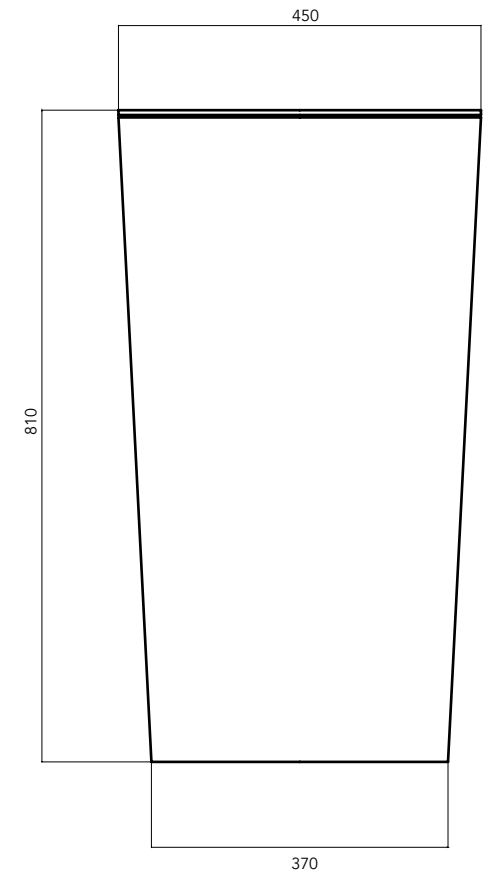
C: 100 LT



# LIGHT CONIC

CODE UL - CST - 023

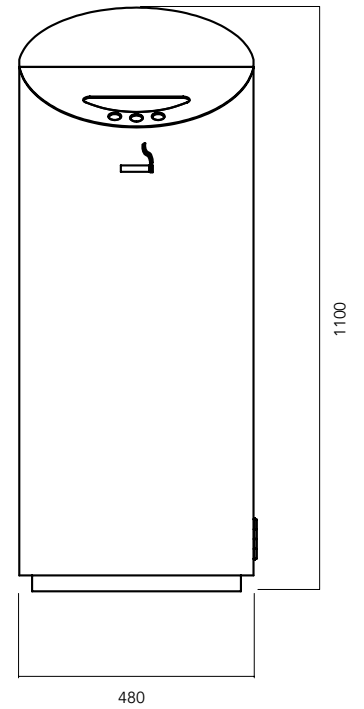
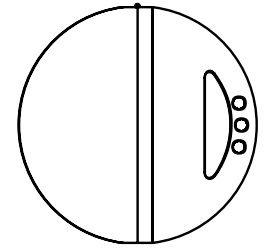
C: 80 LT



# NEO

CODE UL - CST - 014

C: 100 LT

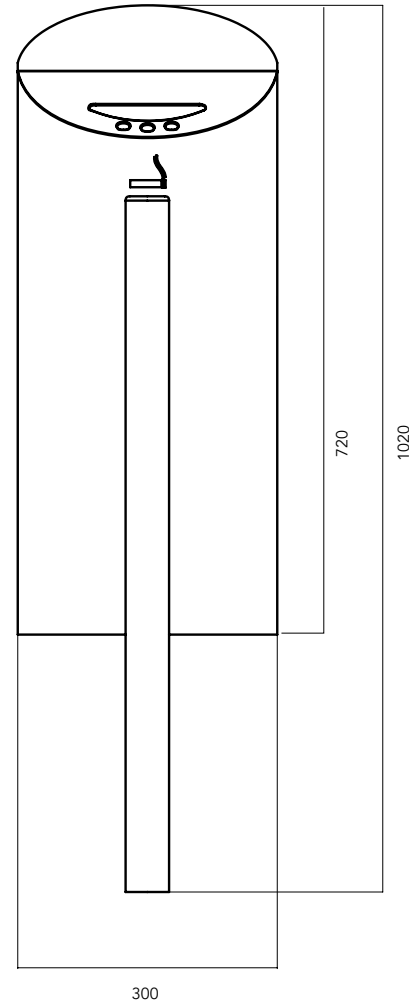


# NEO

A PALO / POLE BRACKET

CODE UL - CST - 015

C: 35 LT

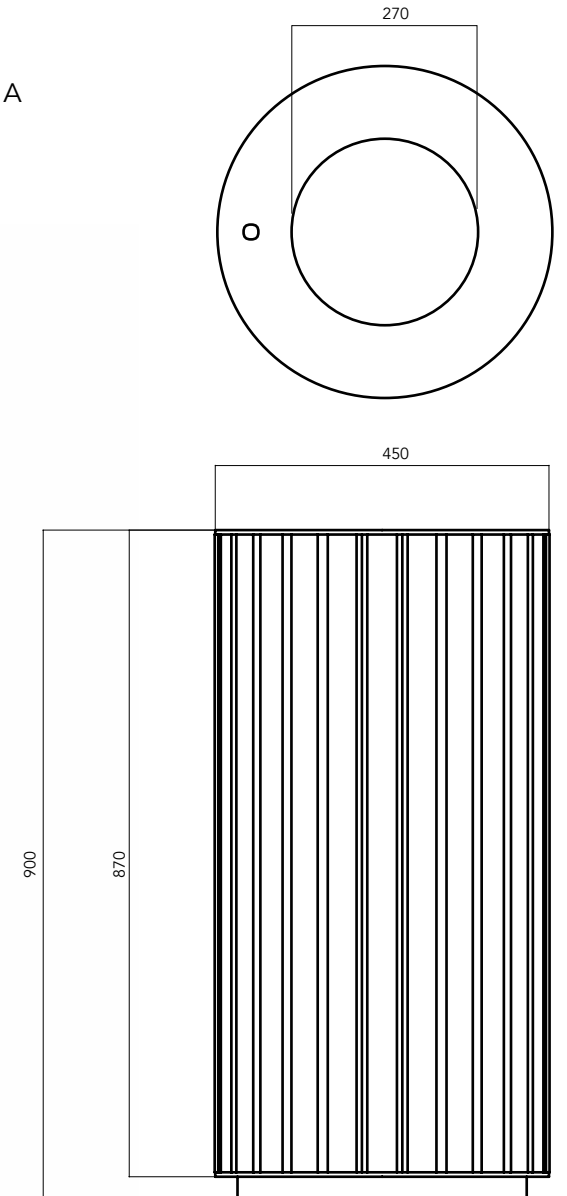


# WOODY

CODE A LEGNO ESOTICO / EXOTIC WOOD UL - CST - 021 - A

CODE B LEGNO DI PINO / PINE UL - CST - 021 - B

C: 100 LT

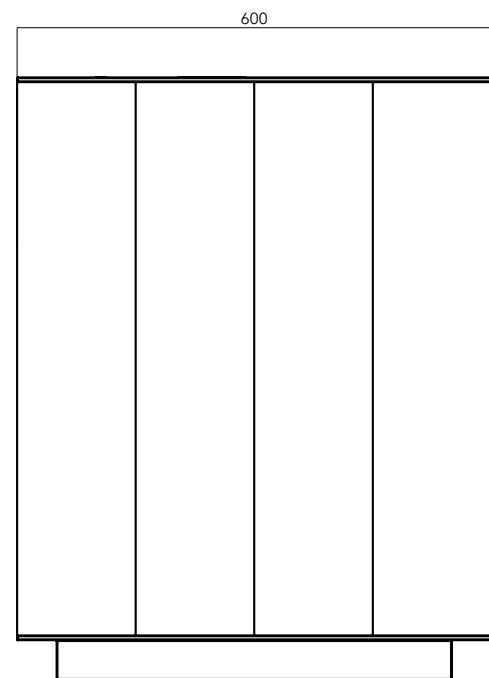
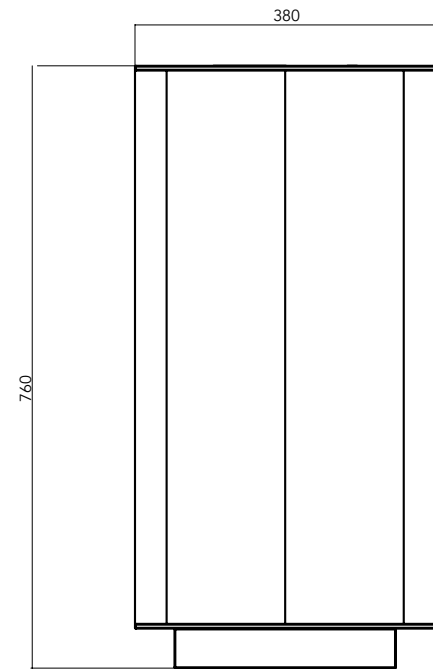




# RETRÒ

CODE UL - CST - 019

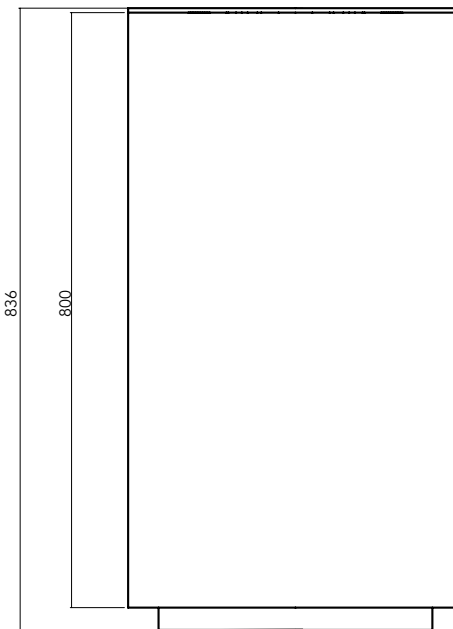
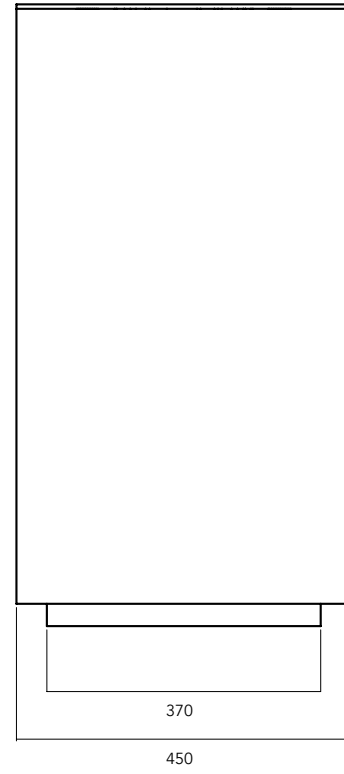
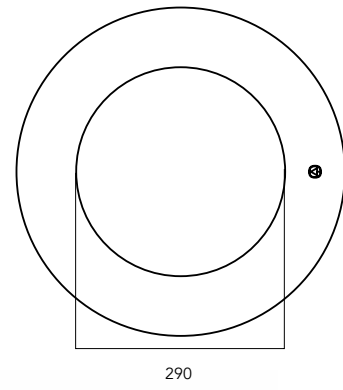
C: 120 LT



# SIMPLY

CODE UL - CST - 026

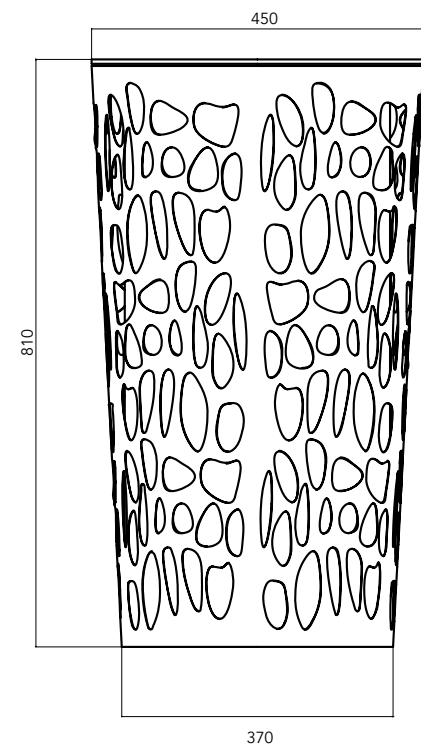
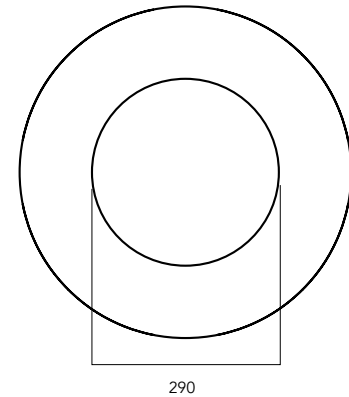
C: 100 LT



# CLAPS CONIC

CODE UL - CST - 025

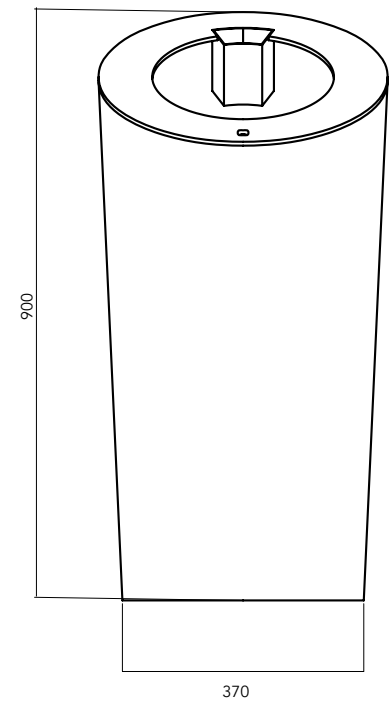
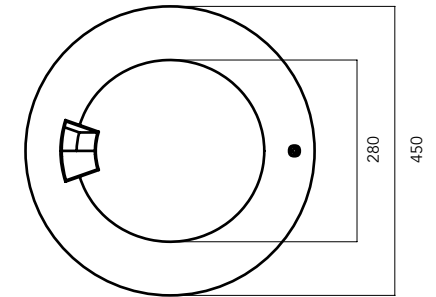
C: 80 LT



# CONE

CODE UL - CST - 018

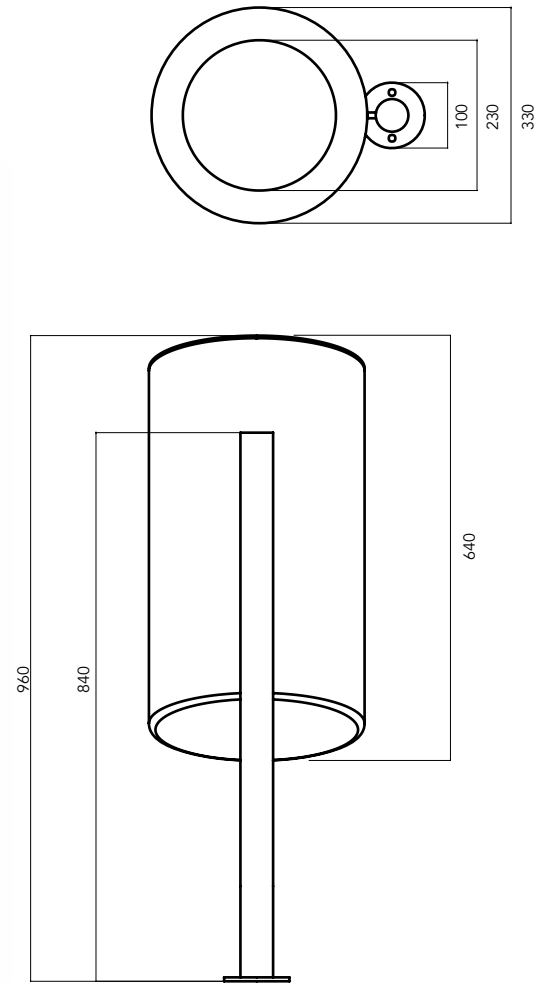
C: 80 LT



# CHEAP

CODE UL - CST - 017

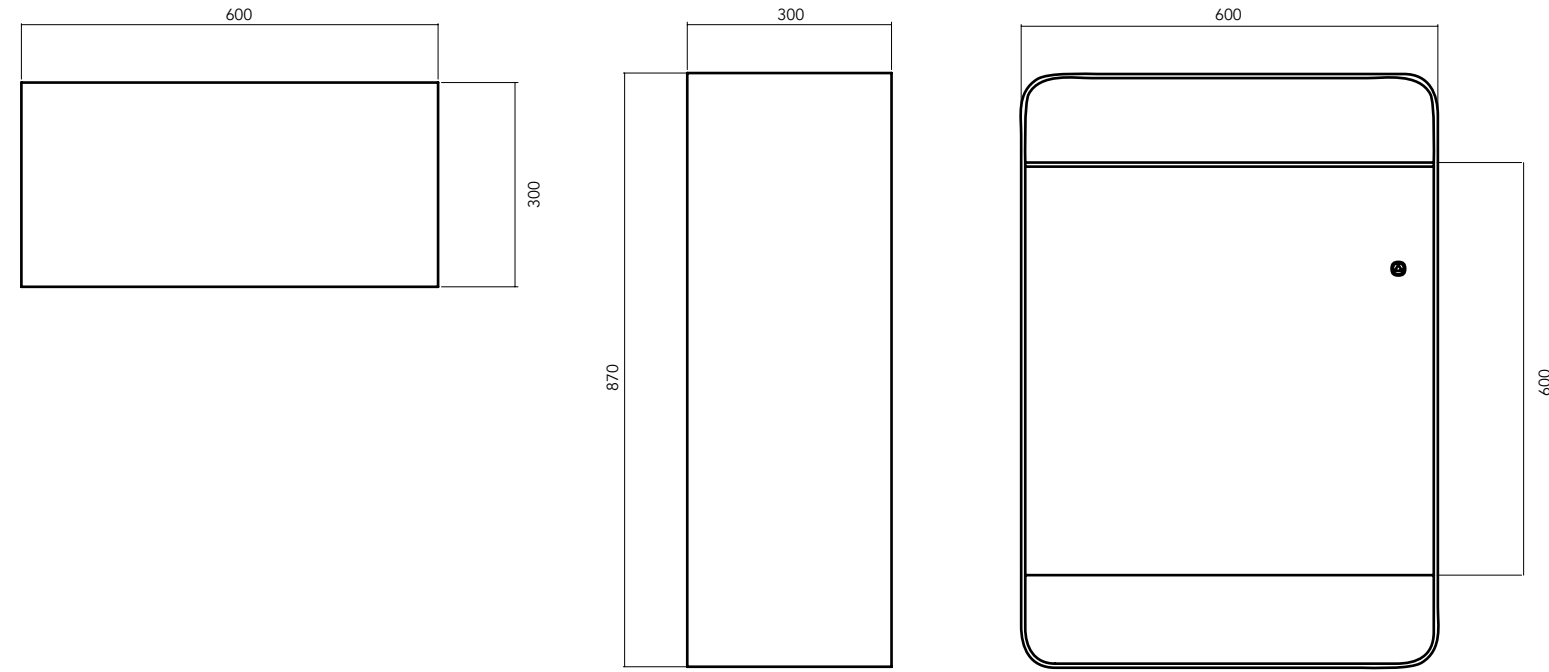
C: 35 LT



# PLAZA

CODE UL - CST - 024

C: 75 LT



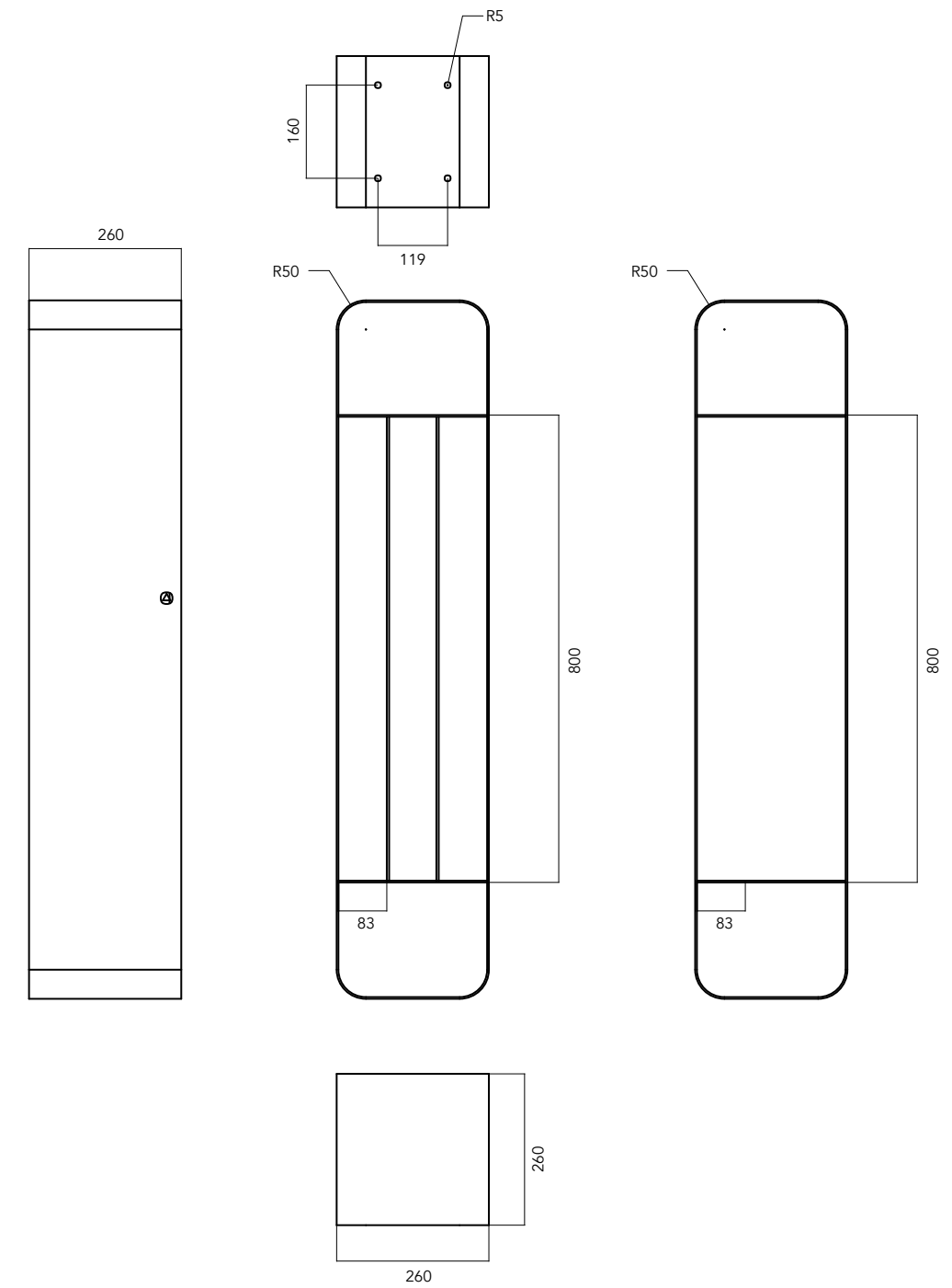
OPTIONAL  
CON FORI / WITH HOLES

# PLAZA S

CODE UL - CST - 024S



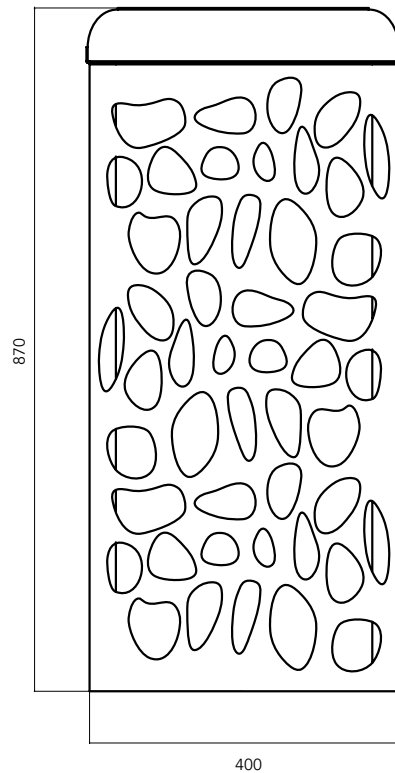
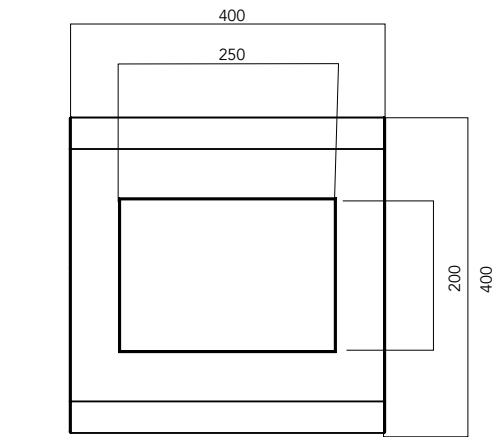
CODE UL - CST - 024SW



# CLAPS

CODE UL - CST - 022

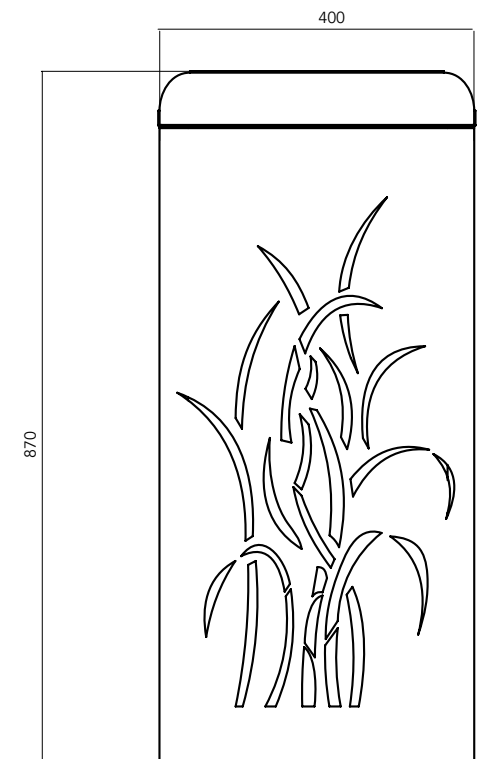
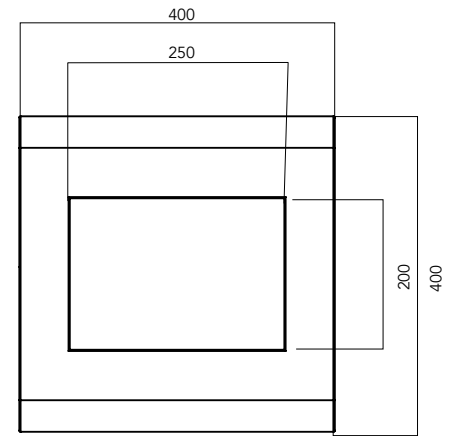
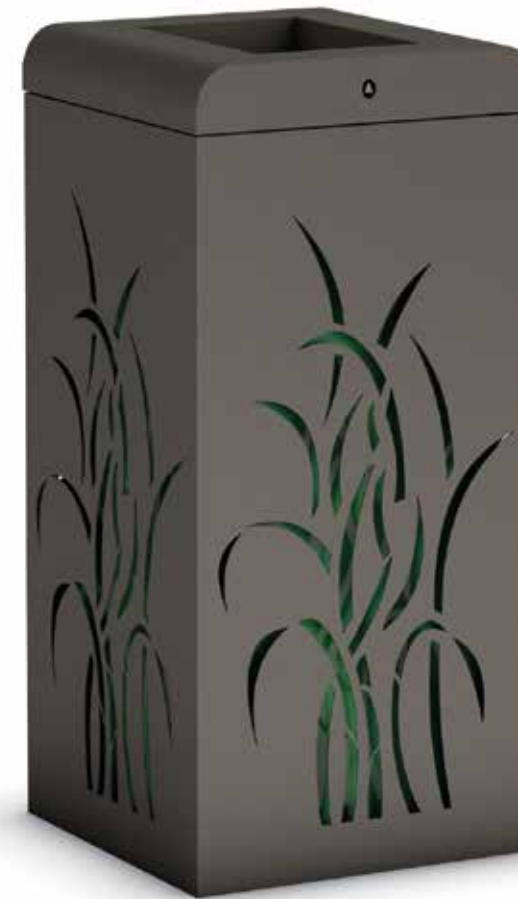
C: 100 LT

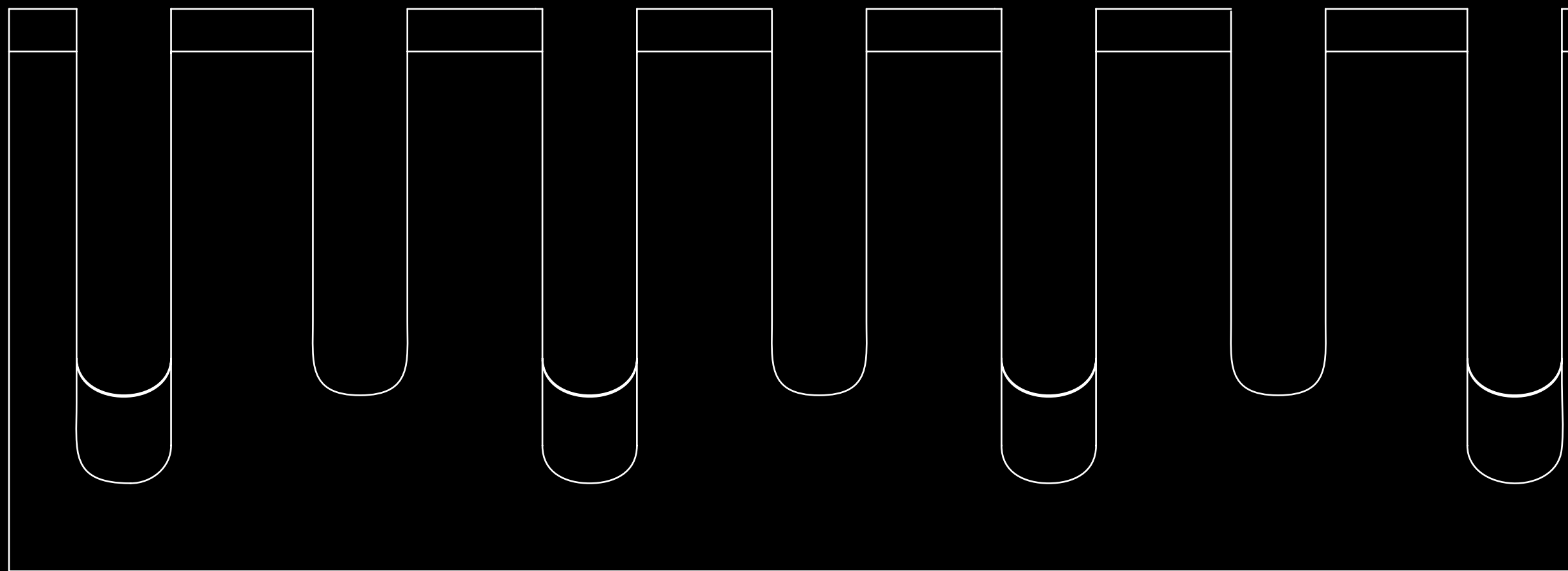


# GRASS

CODE UL - CST - 031

C: 100 LT



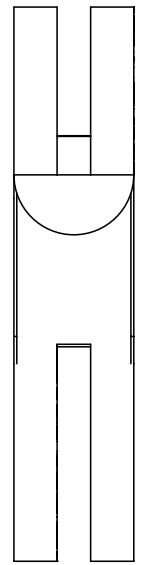
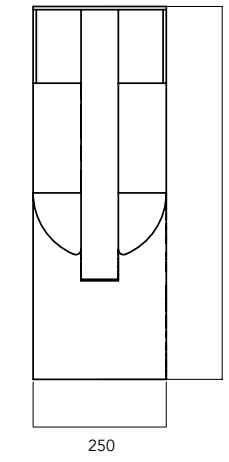
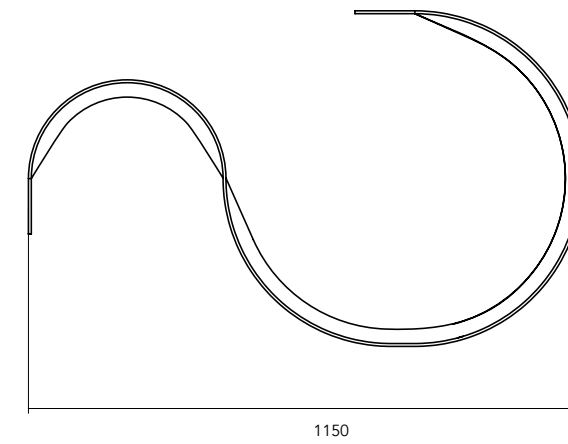


**PORTABICI**  
**BIKE RACKS**



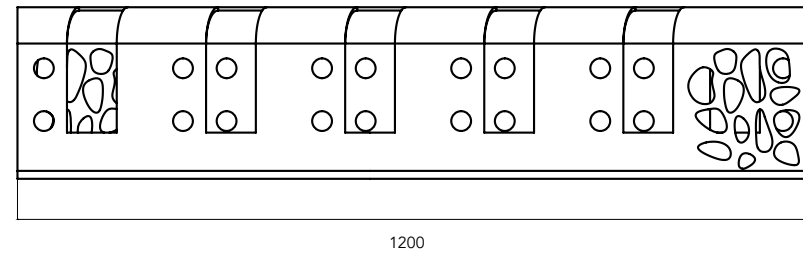
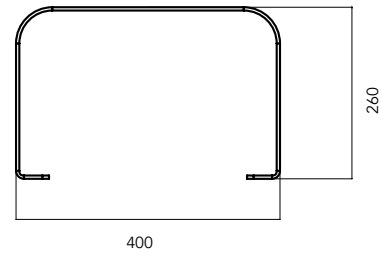
—  
**SNAKE**

CODE UL - PRB - 03



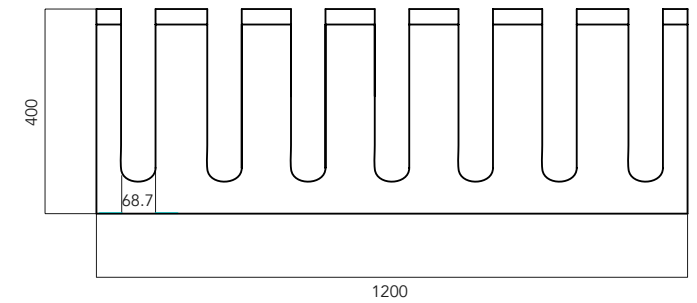
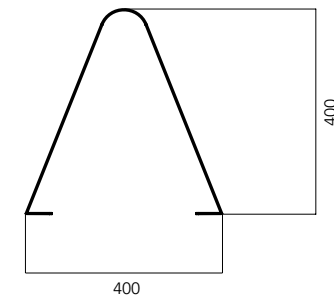
# CLAPS

CODE UL - PRB - 09



# CLASSIC

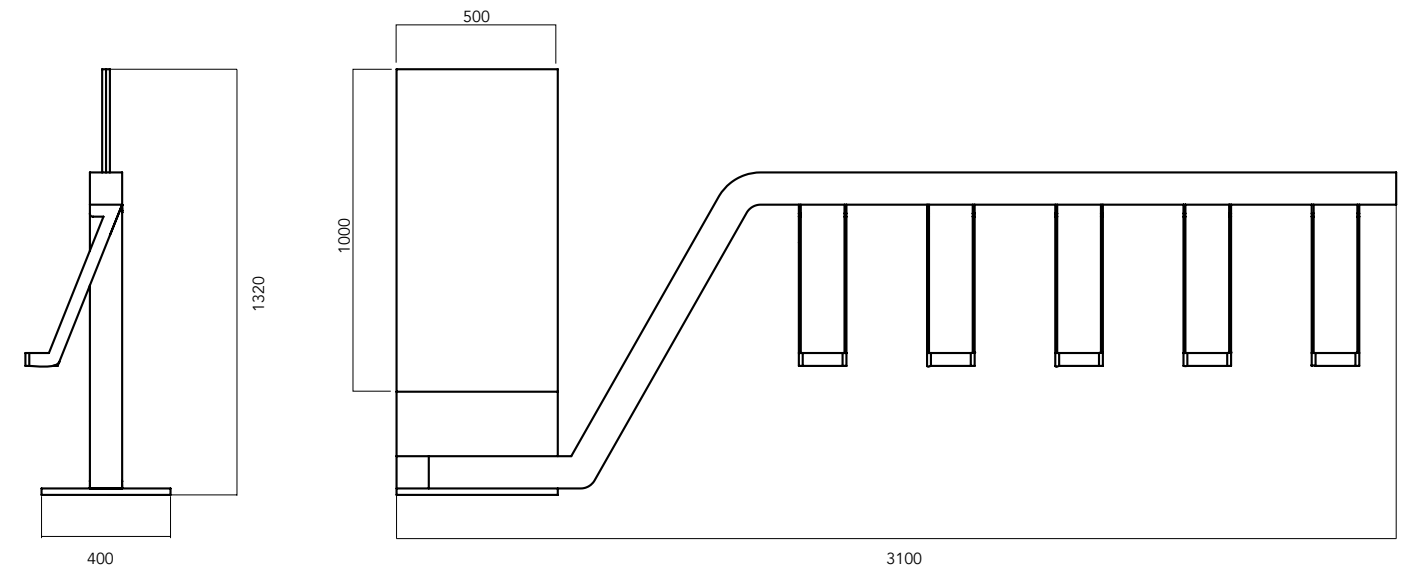
CODE UL - PRB - 04



# RIO

CON TOTEM / WITH NOTICEBOARD

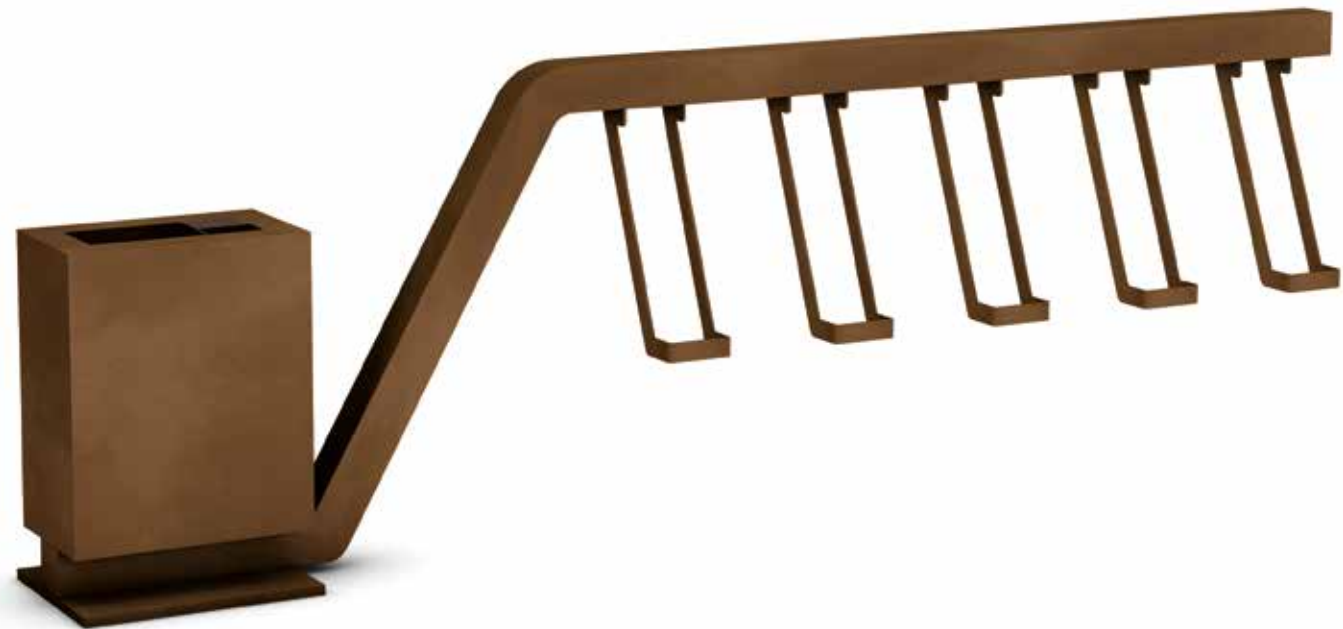
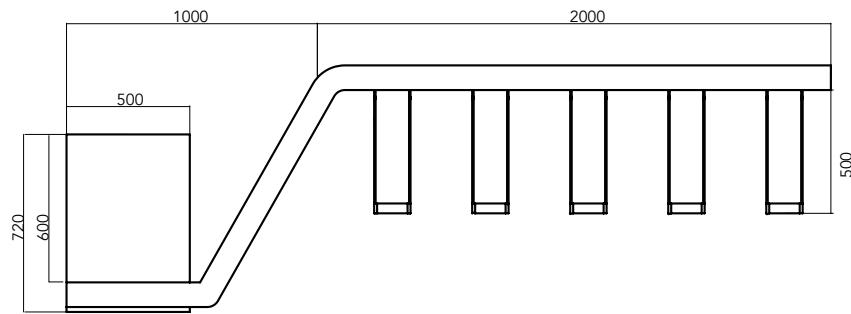
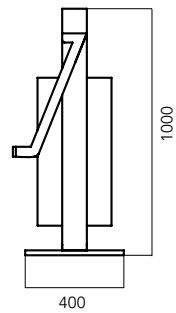
CODE UL - PRB - 02



# RIO

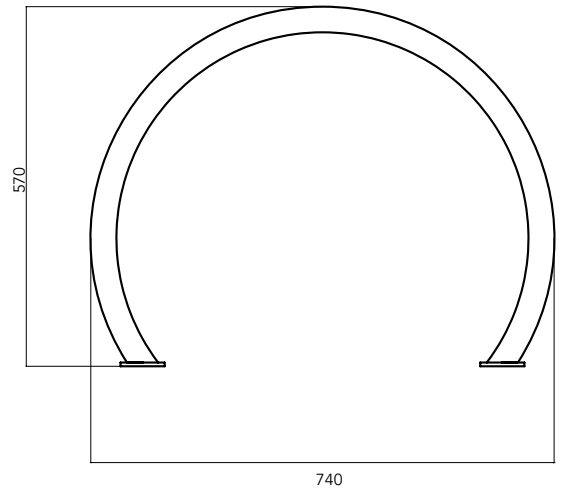
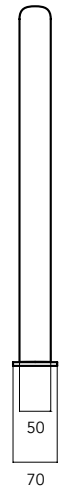
CON CESTINO / WITH BIN

CODE UL - PRB - 01



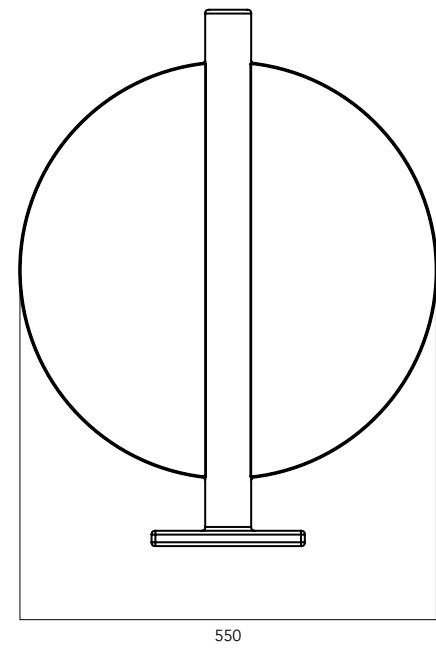
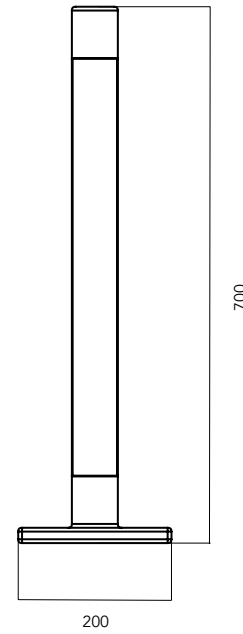
# RING

CODE UL - PRB - 07



# ROUND

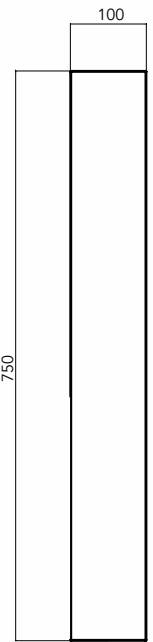
CODE UL - PRB - 05





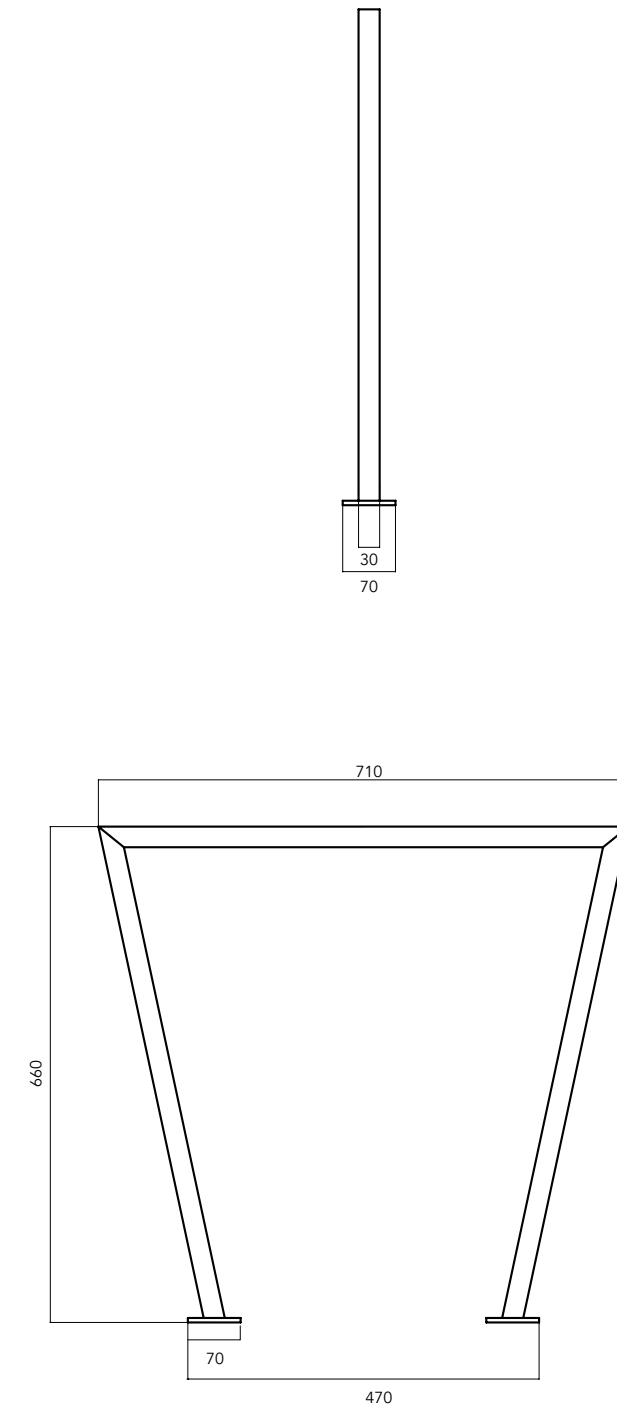
# AGO

CODE UL - PRB - 06

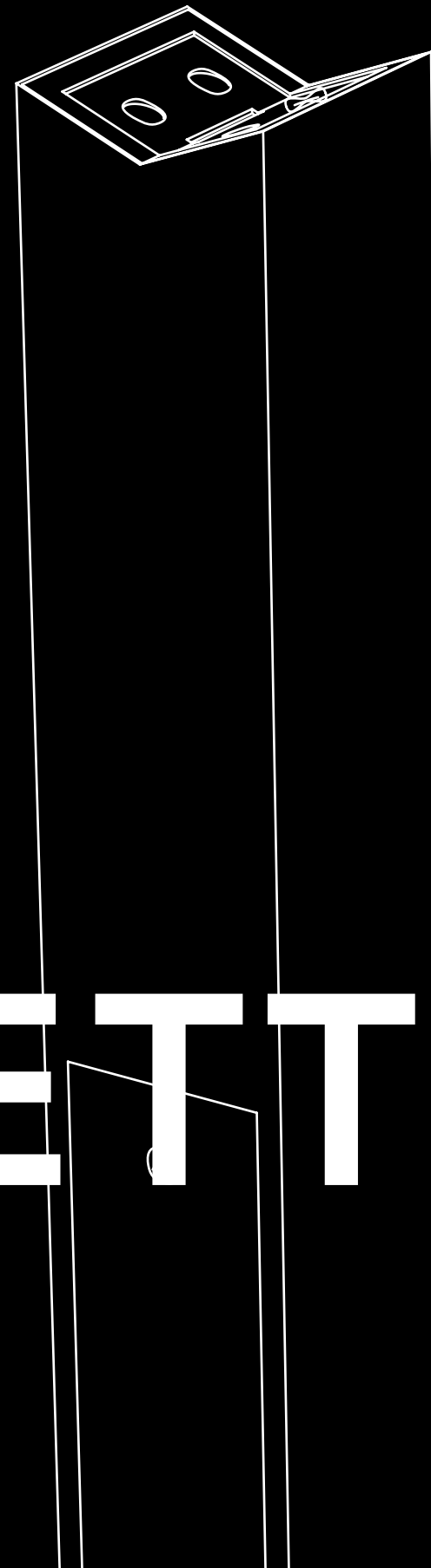


—  
**SQUARE**

CODE UL - PRB - 08



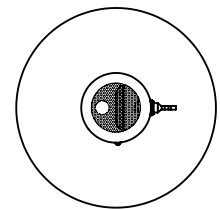
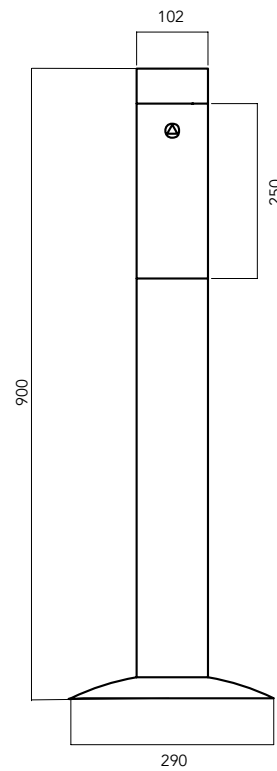
**GETTA SIGARETTE**  
ASHTRAYS





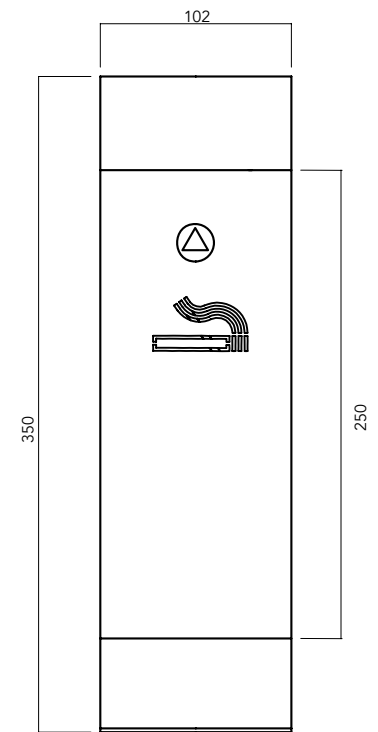
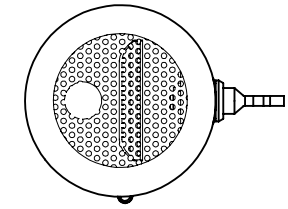
# ASH

CODE UL - GST - 003



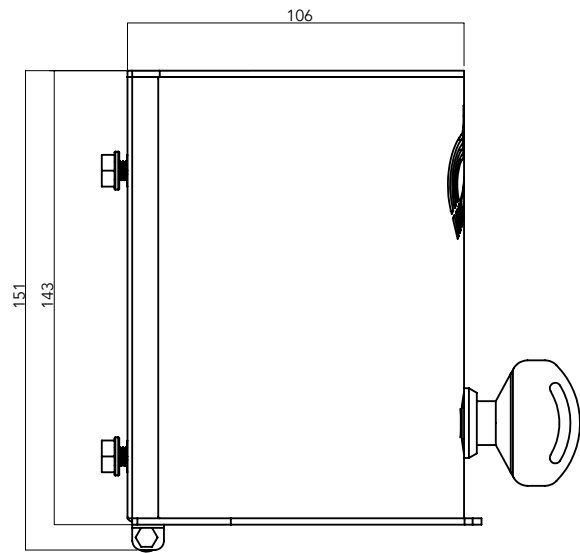
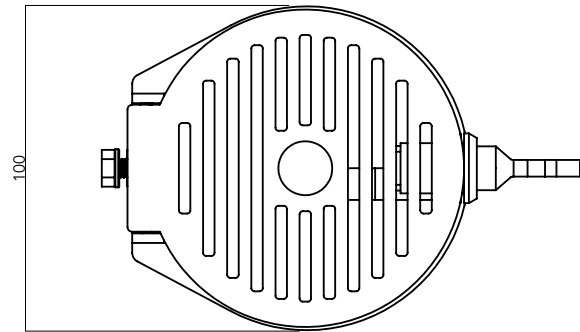
# ASH S

CODE UL - GST - 002



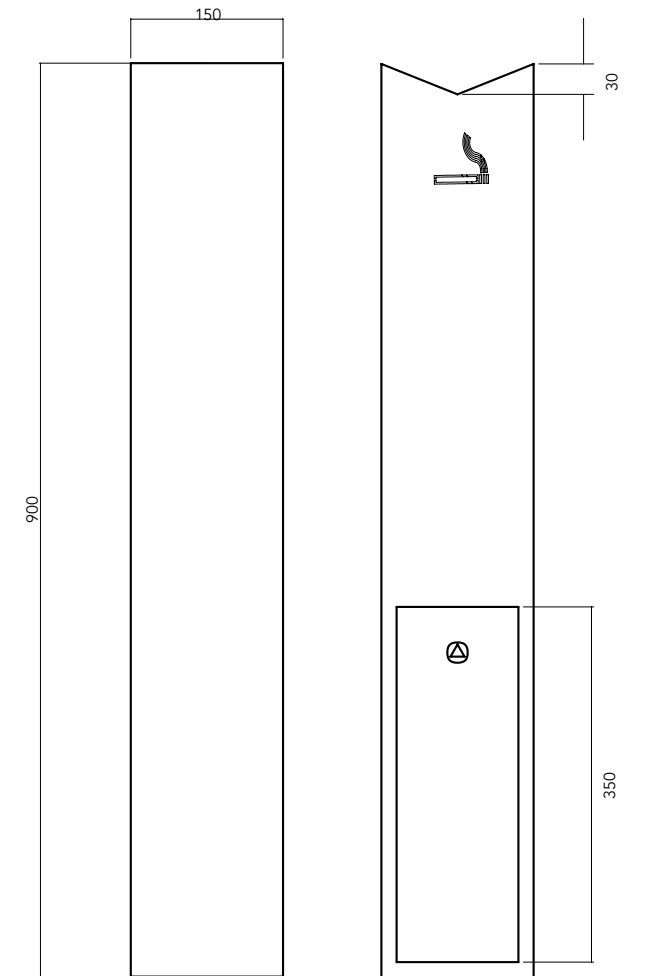
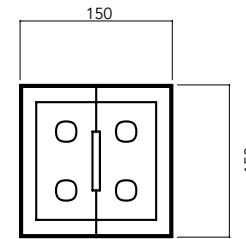
# ASH BIN

CODE UL - GST - 001



# COLUMN

CODE UL - GST - 004

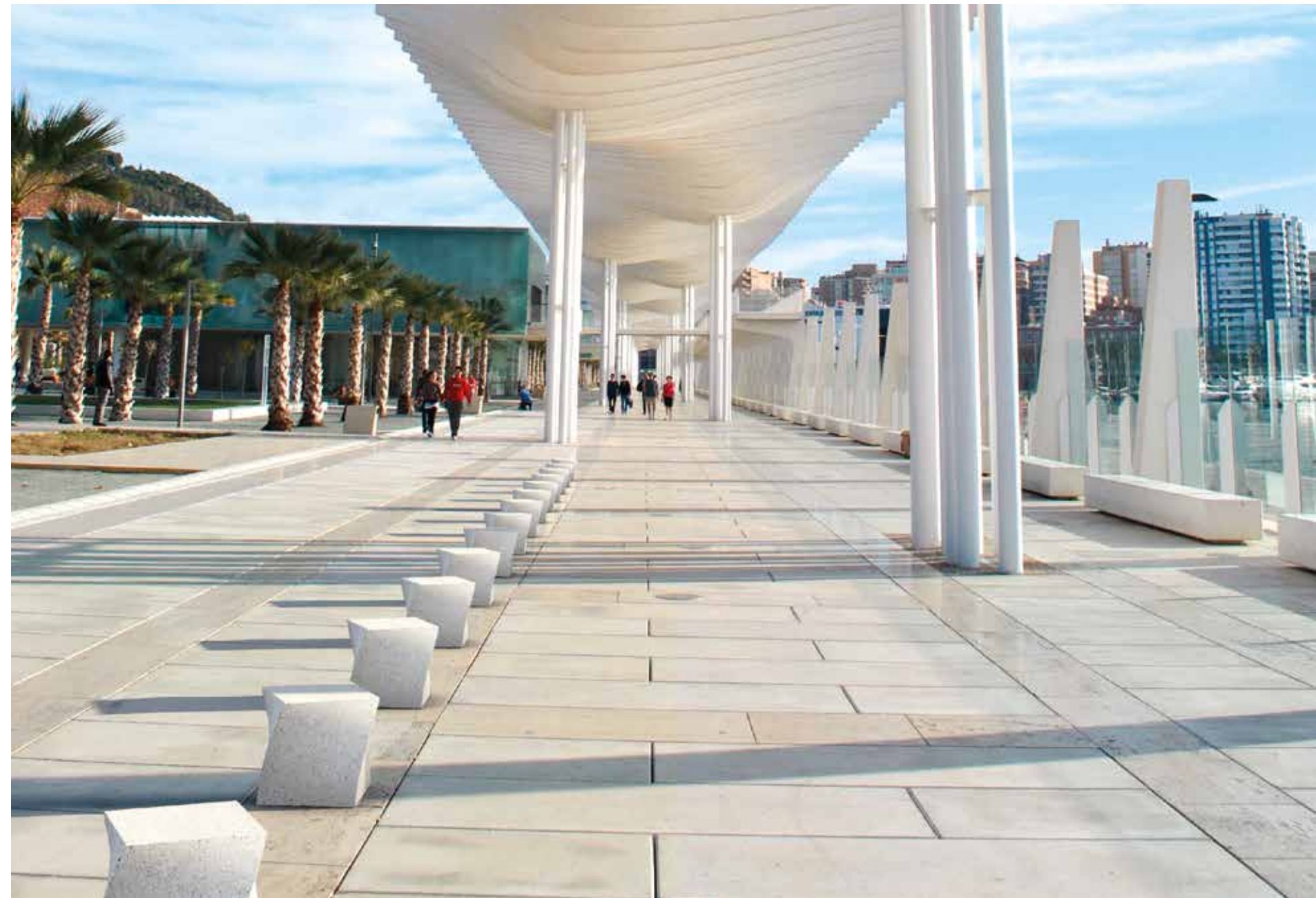
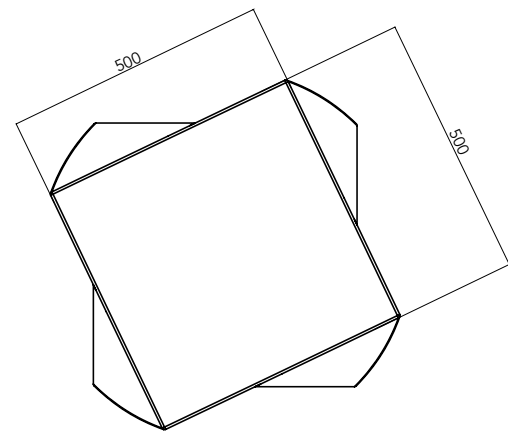
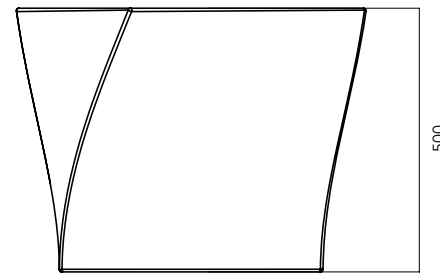


A white wireframe cube is positioned on the right side of the image, partially overlapping the text. The cube is drawn with thin white lines, showing its three-dimensional structure against the black background.

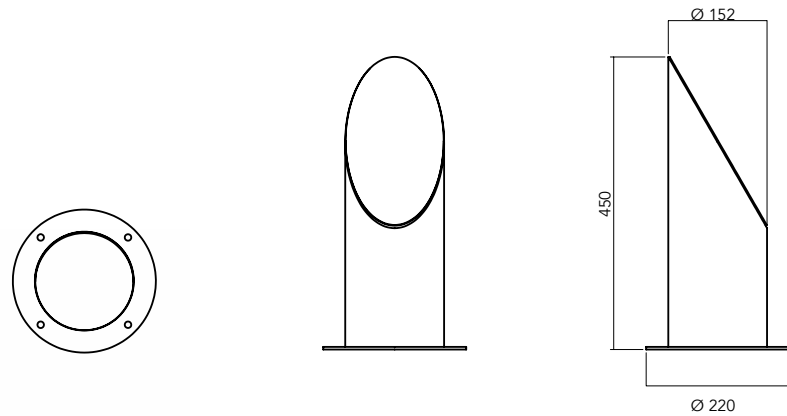
**DISSUASORI  
BOLLARDS**

—  
**TWIST**

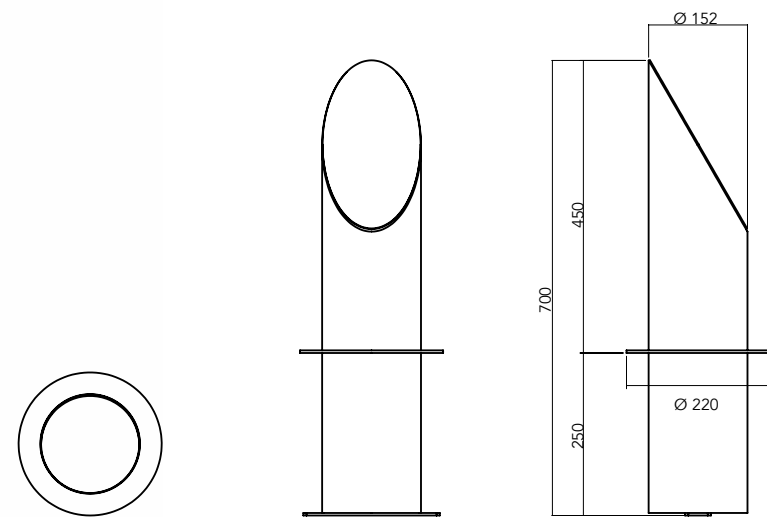
CODE UL - DSR - 010



# TOP A450

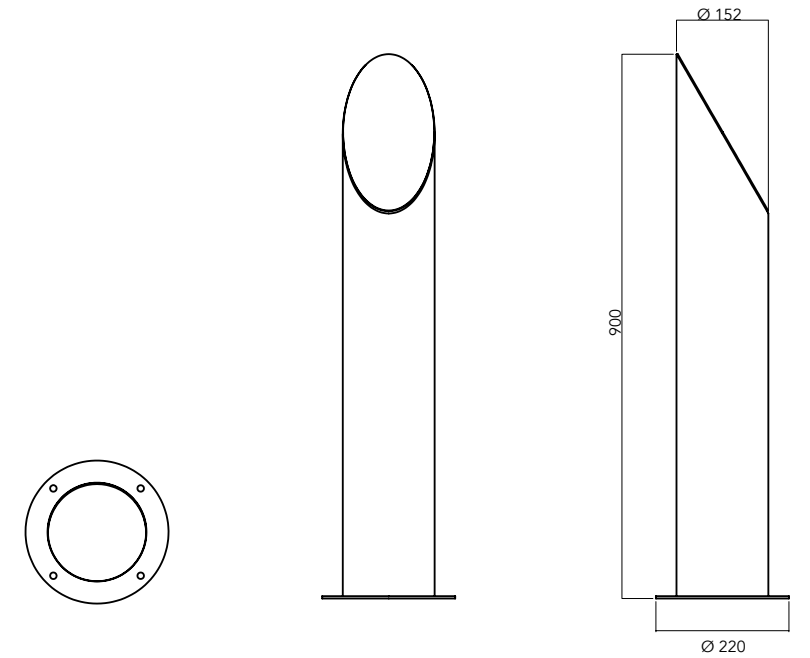


CON PIASTRA / WITH PLATE  
CODE UL - DSR - 002 - 4

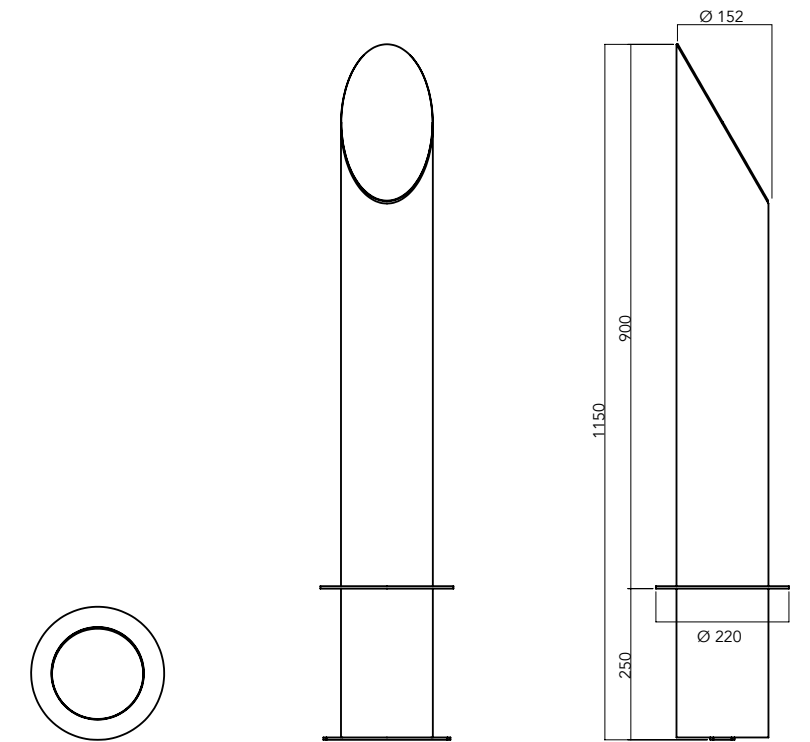


DA CEMENTARE / TO BE CEMENTED  
CODE UL - DSR - 002 - 4C

# TOP A900

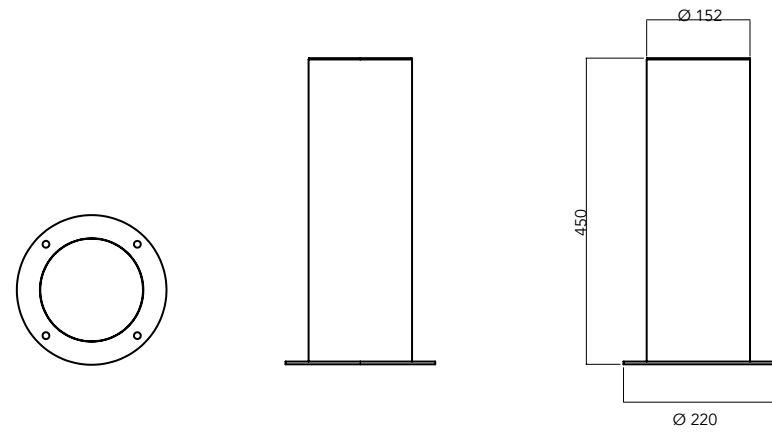


CON PIASTRA / WITH PLATE  
CODE UL - DSR - 002 - 9

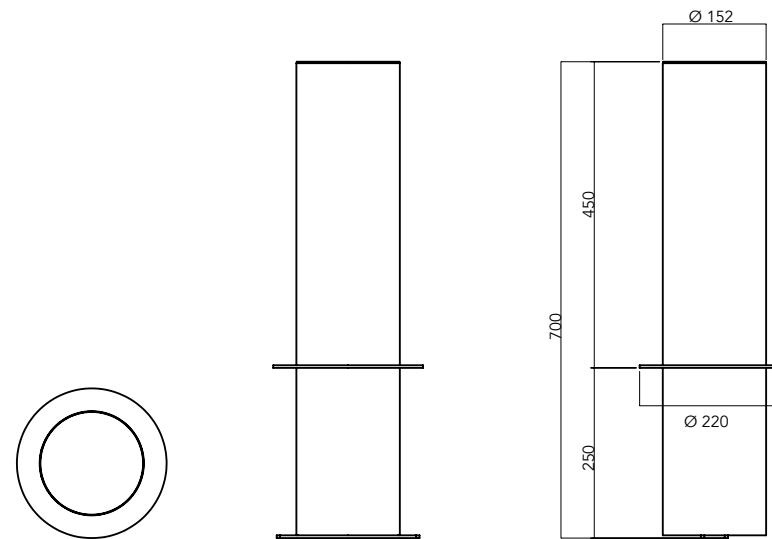


DA CEMENTARE / TO BE CEMENTED  
CODE UL - DSR - 002 - 9C

# PRIMO A450

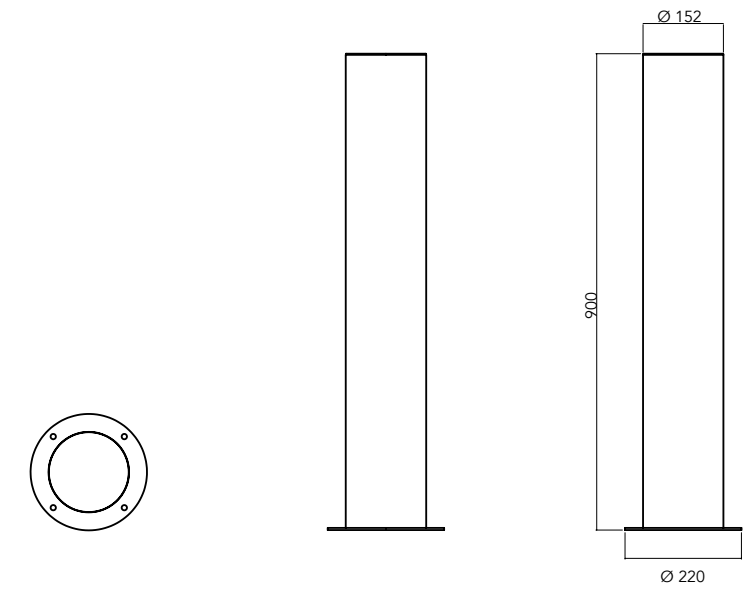


CON PIASTRA / WITH PLATE  
CODE UL - DSR - 006 - 4

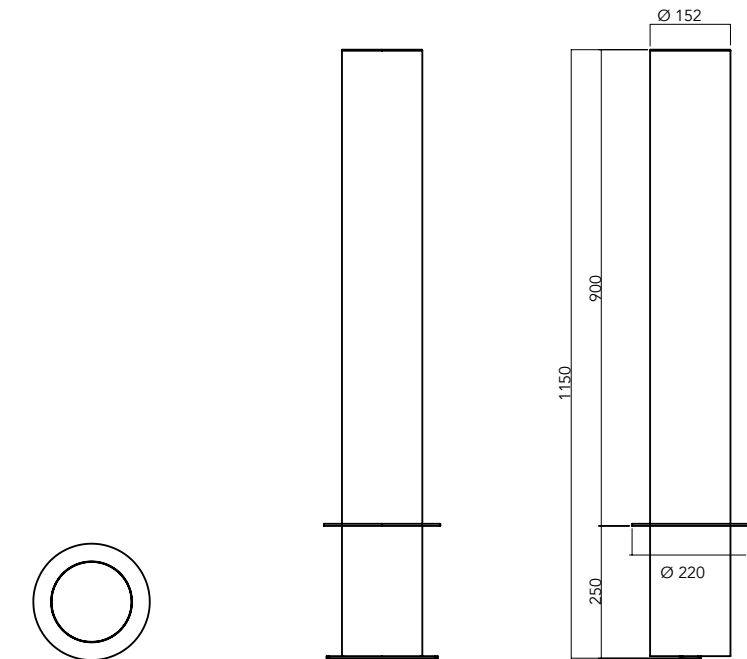


DA CEMENTARE / TO BE CEMENTED  
CODE UL - DSR - 006 - 4C

# PRIMO A900

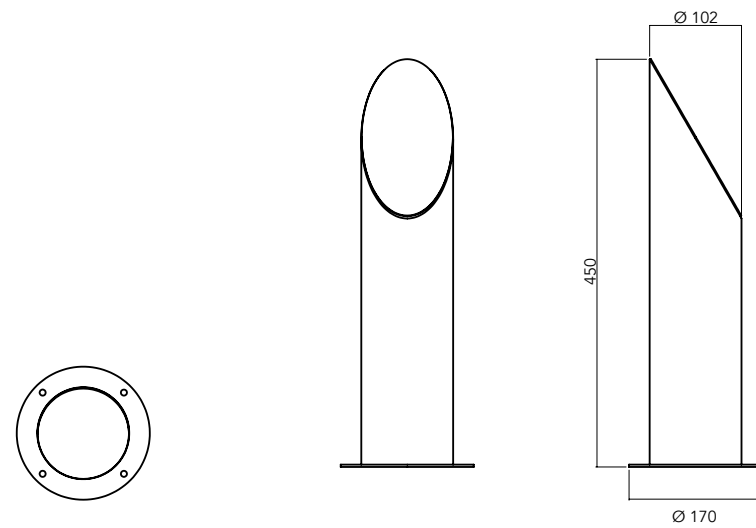


CON PIASTRA / WITH PLATE  
CODE UL - DSR - 006 - 9



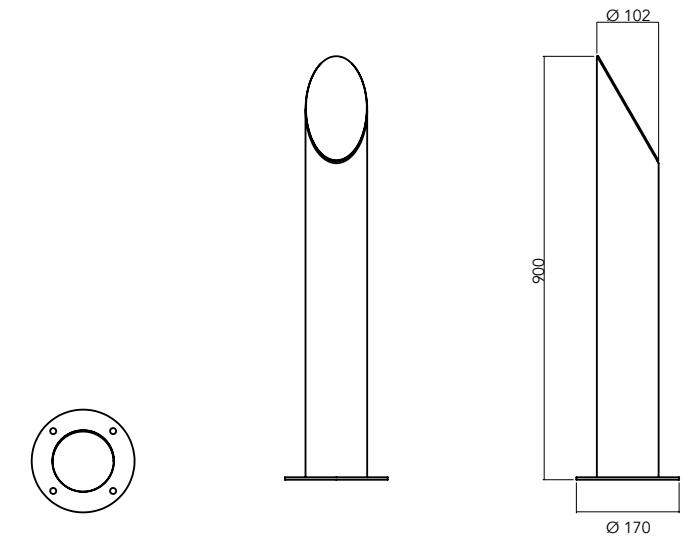
DA CEMENTARE / TO BE CEMENTED  
CODE UL - DSR - 006 - 9C

# TOP B450

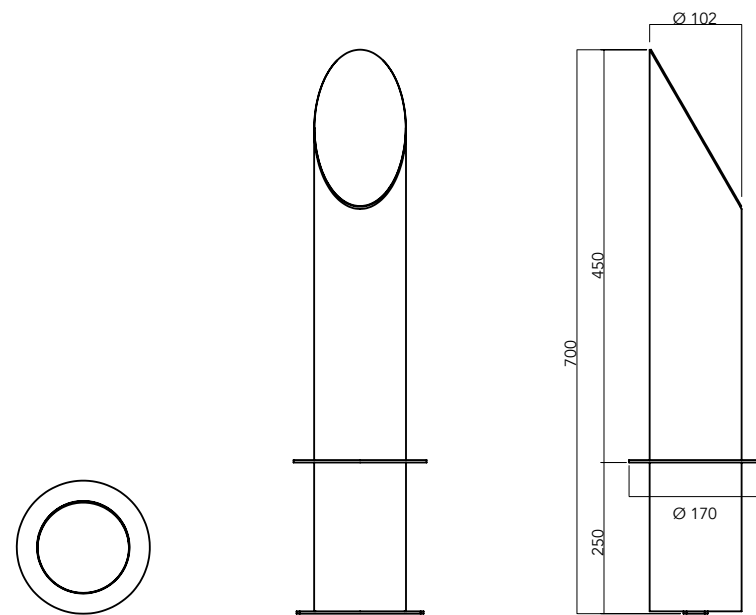


CON PIASTRA / WITH PLATE  
CODE UL - DSR - 003 - 4

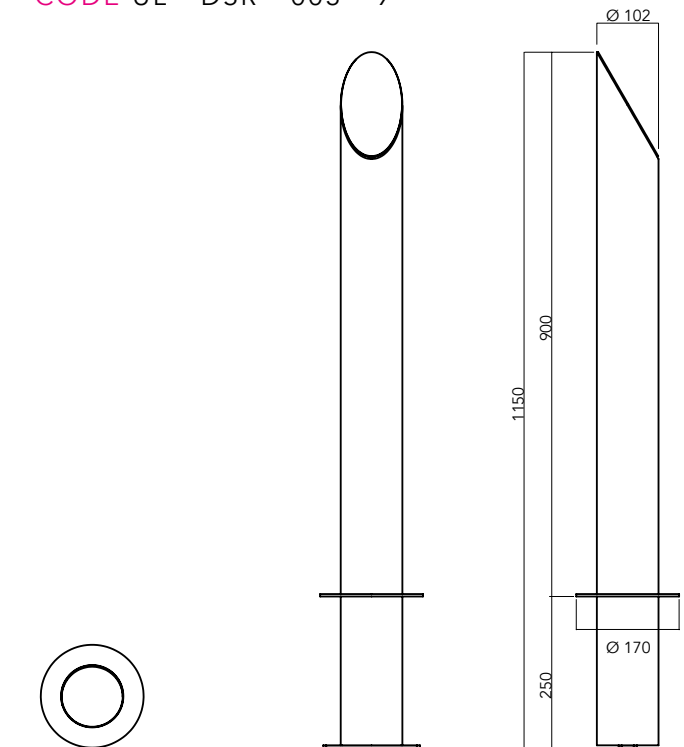
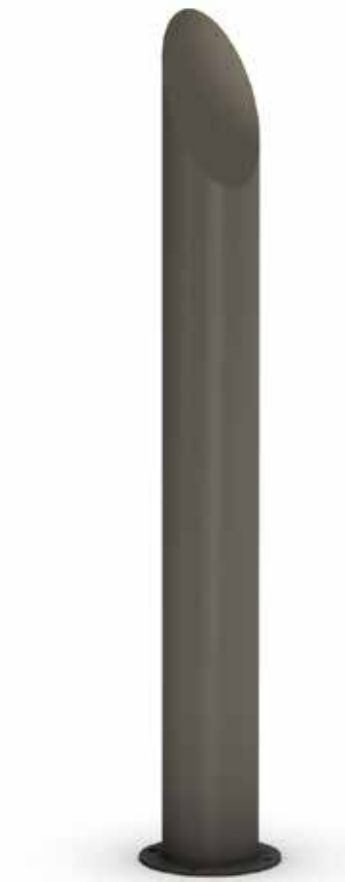
# TOP B900



CON PIASTRA / WITH PLATE  
CODE UL - DSR - 003 - 9



DA CEMENTARE / TO BE CEMENTED  
CODE UL - DSR - 003 - 4C



DA CEMENTARE / TO BE CEMENTED  
CODE UL - DSR - 003 - 9C

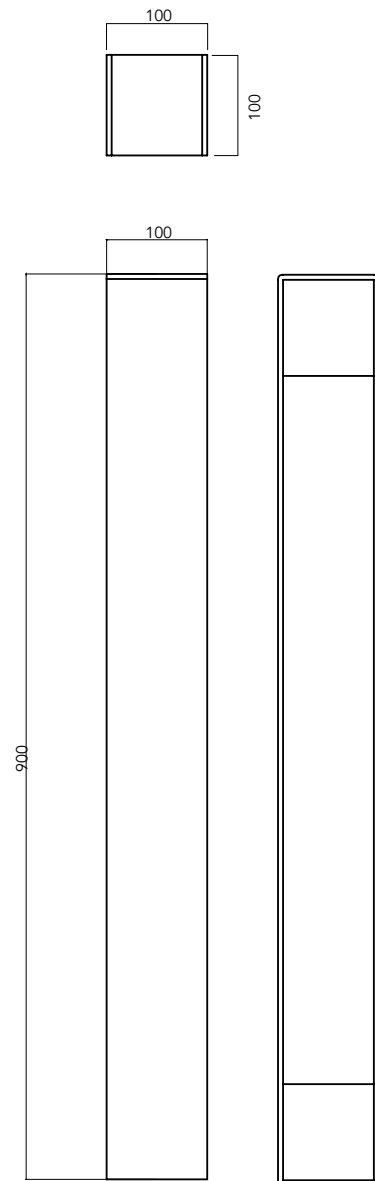
# BRAND

CON PIASTRA / WITH PLATE

CODE UL - DSR - 008

DA CEMENTARE / TO BE CEMENTED

CODE UL - DSR - 008C



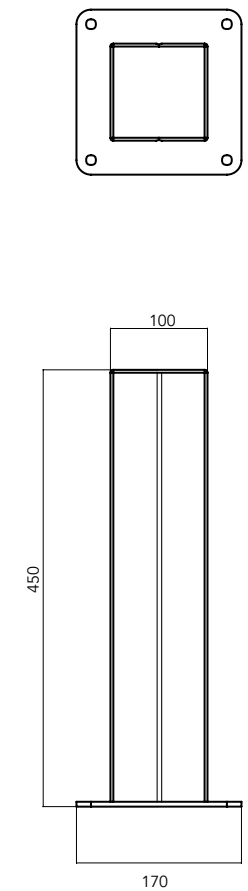
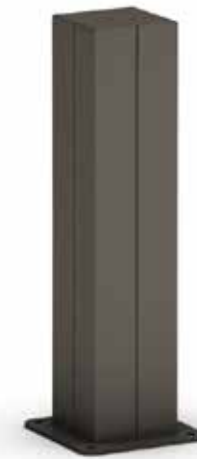
# SQUARE 450

CON PIASTRA / WITH PLATE

CODE UL - DSR - 005

DA CEMENTARE / TO BE CEMENTED

CODE UL - DSR - 005C

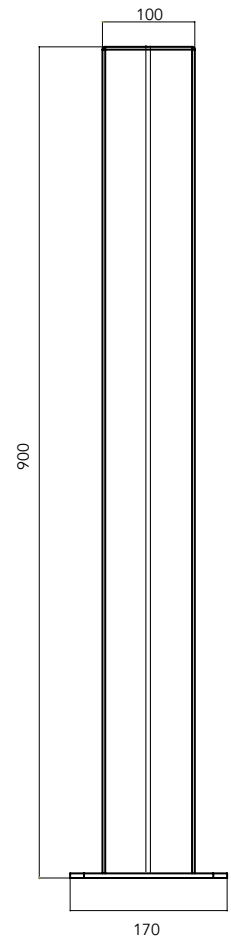
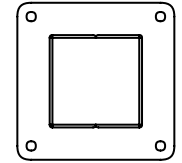




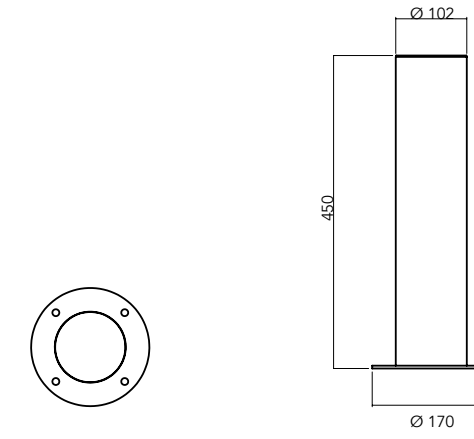
# SQUARE 900

CON PIASTRA / WITH PLATE CODE UL - DSR - 004

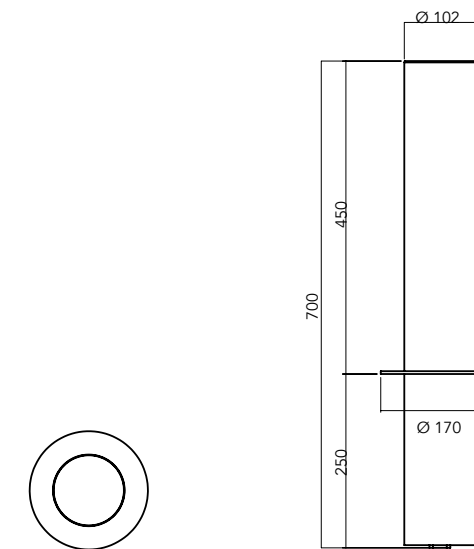
DA CEMENTARE / TO BE CEMENTED CODE UL - DSR - 004C



# PRIMO B450



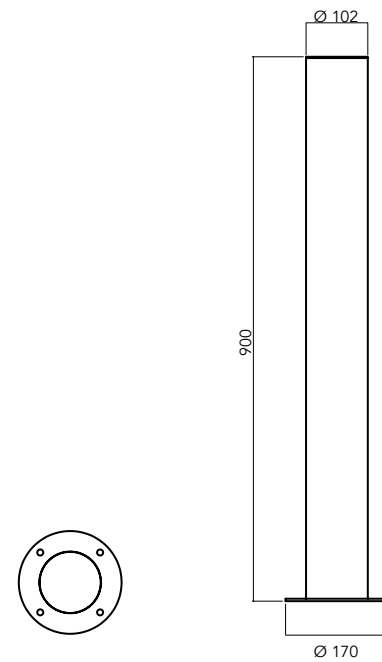
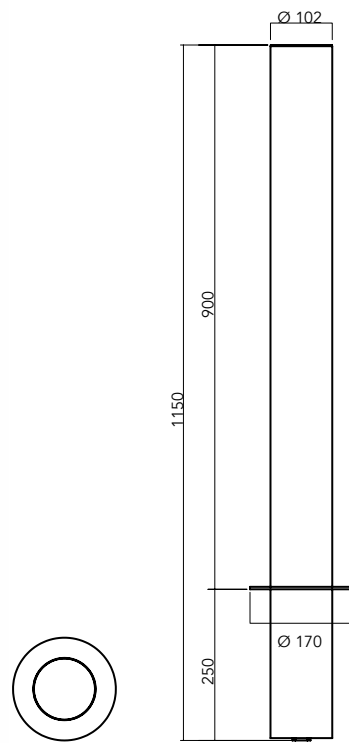
CON PIASTRA / WITH PLATE  
CODE UL - DSR - 007 - 4



DA CEMENTARE / TO BE CEMENTED  
CODE UL - DSR - 007 - 4C

# PRIMO B900

DA CEMENTARE / TO BE CEMENTED  
CODE UL - DSR - 007 - 9C



CON PIASTRA / WITH PLATE  
CODE UL - DSR - 007 - 9

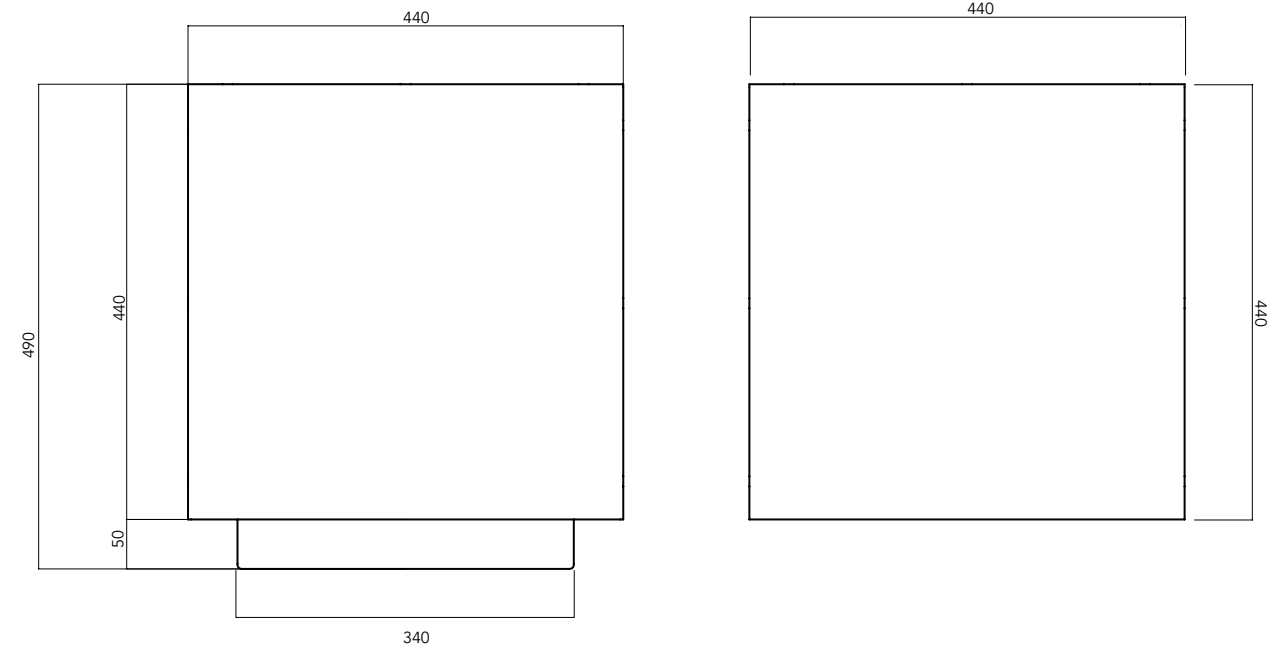


# CUBE

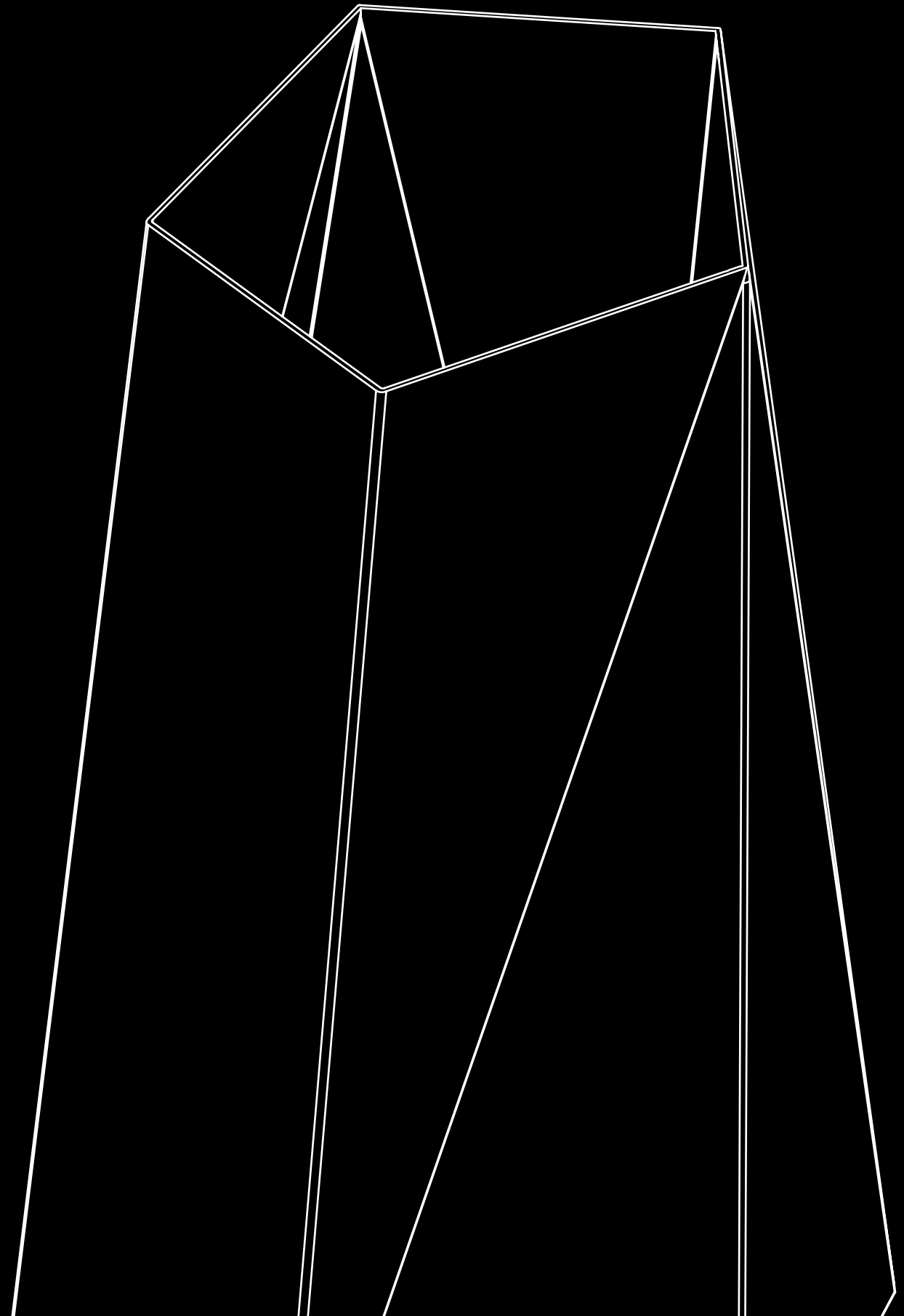
CODE CON PIASTRA / WITH PLATE

UL - DSR - 009

 OPTIONAL LUCE LED / LED LIGHT

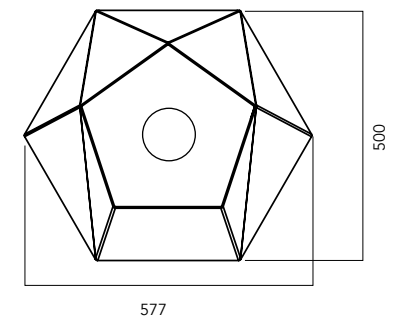
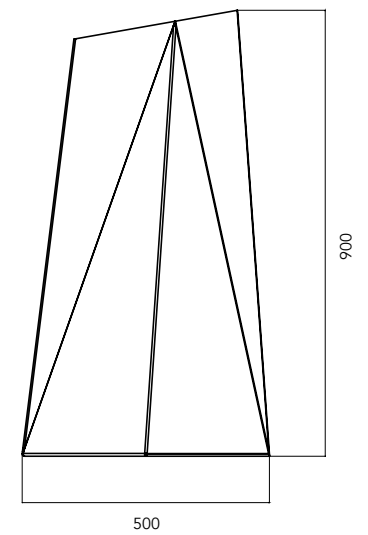
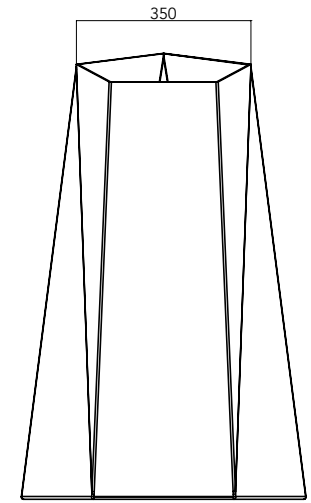


**FIORIERE  
PLANTERS**



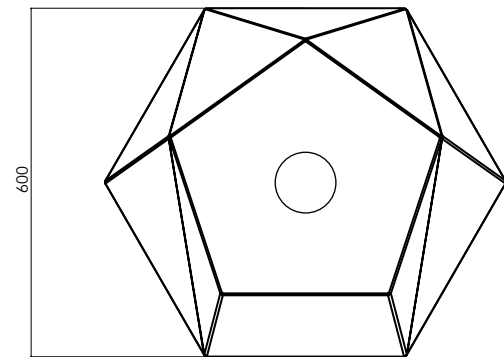
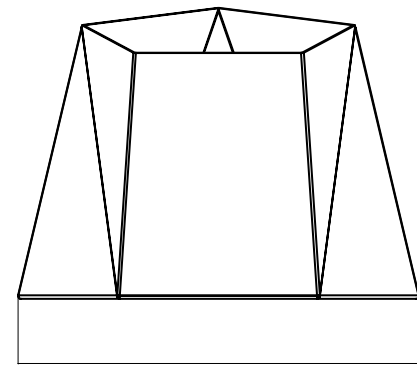
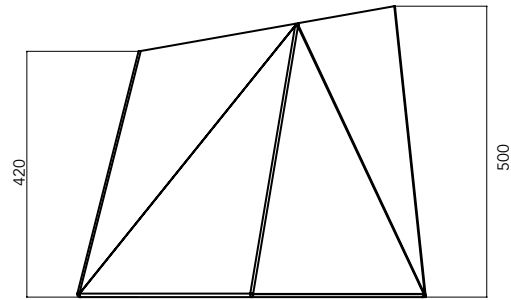
# TWIST 900

CODE UL-FRR-001



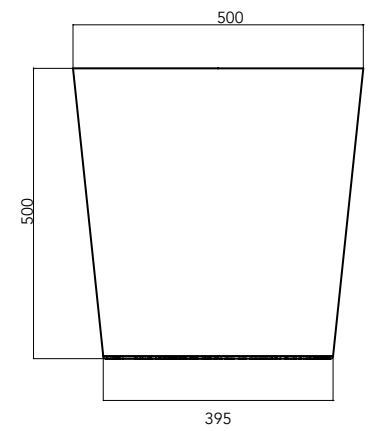
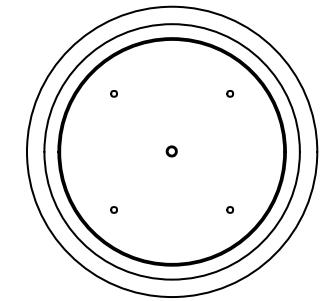
# TWIST 500

CODE UL - FRR - 002



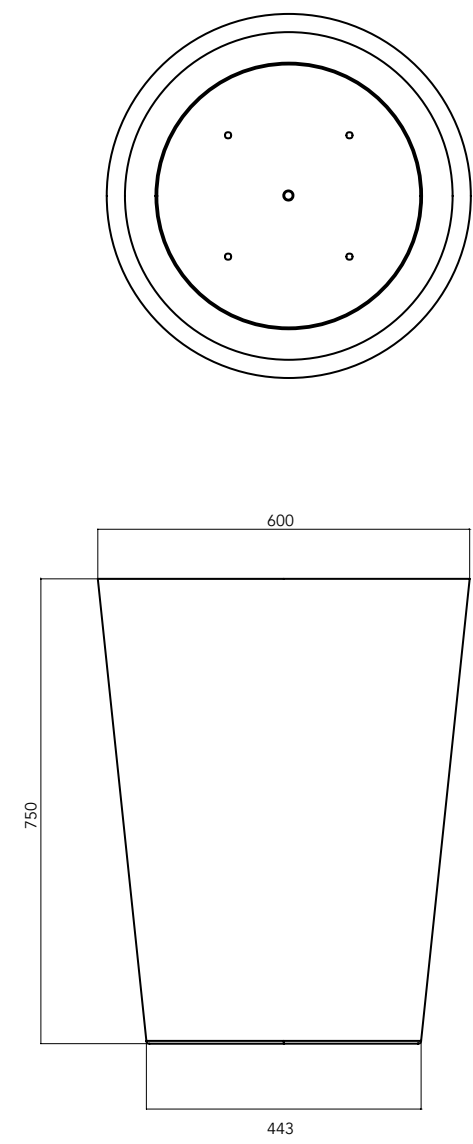
# CONE S

CODE UL - FRR - 004



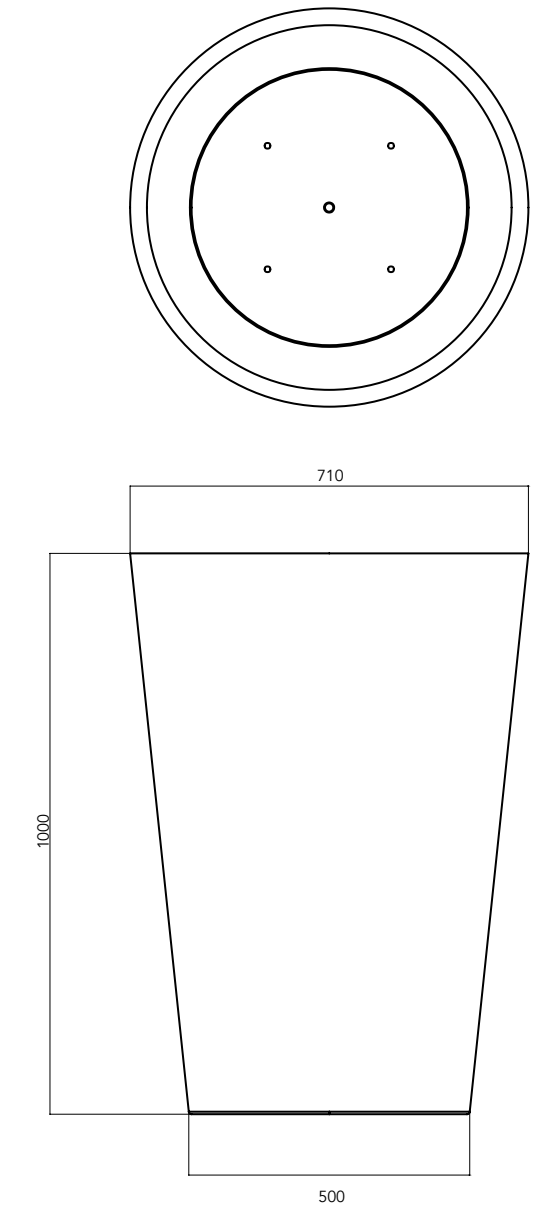
# CONE M

CODE UL - FRR - 005



# CONE L

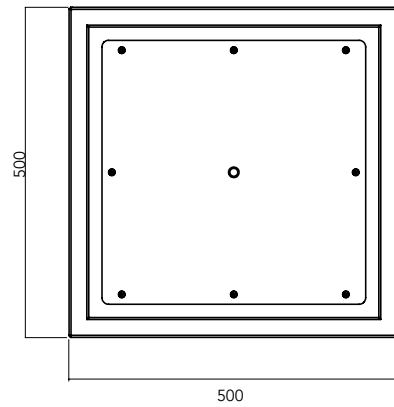
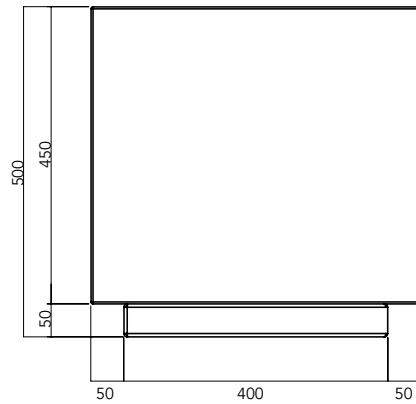
CODE UL - FRR - 006





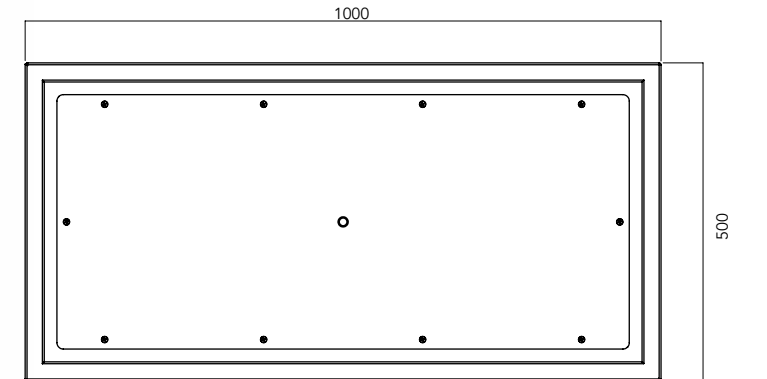
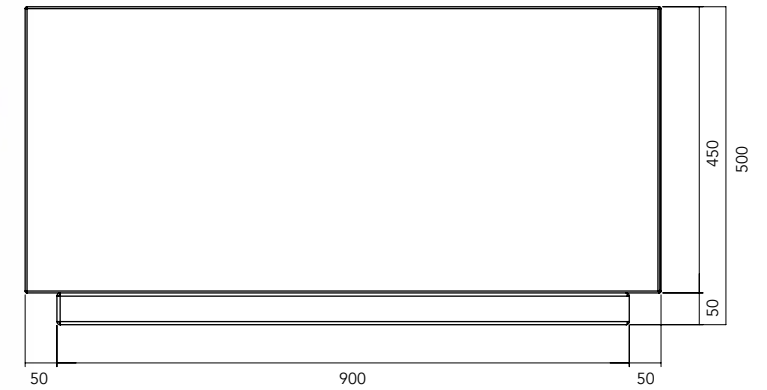
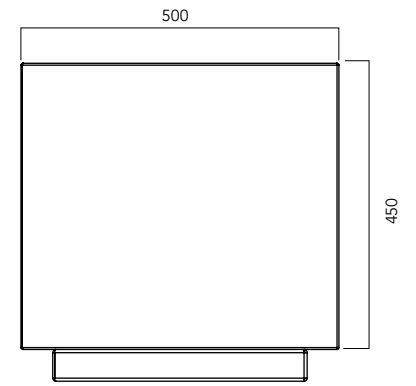
# CUBICA A

CODE UL - FRR - 007



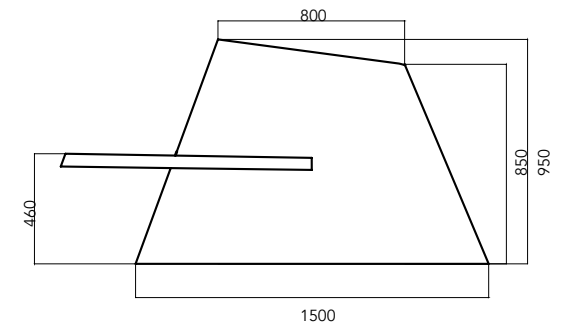
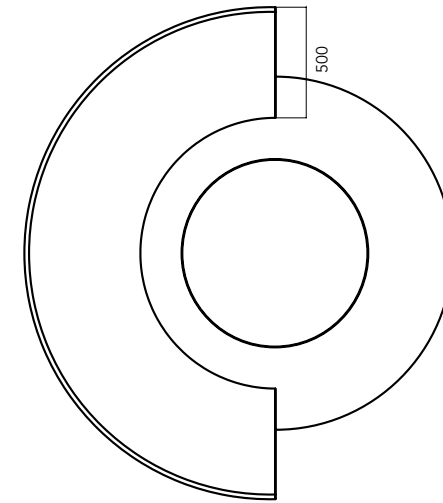
# CUBICA B

CODE UL - FRR - 008



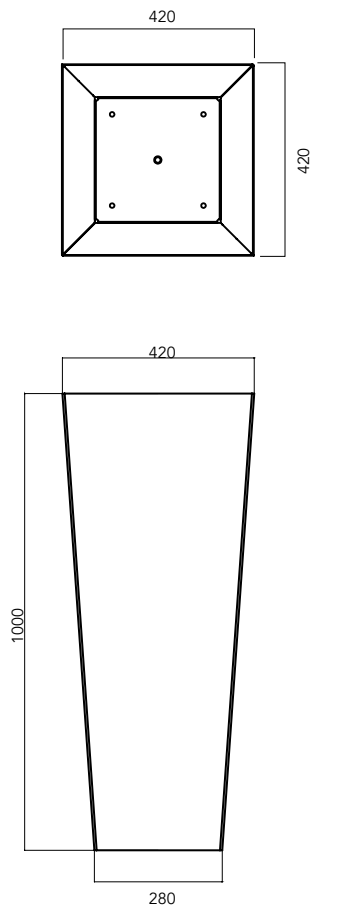
# CONE PLUS

CODE UL - FRR - 010



**PIN UP**

CODE UL - FRR - 003



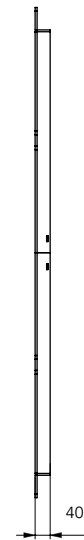
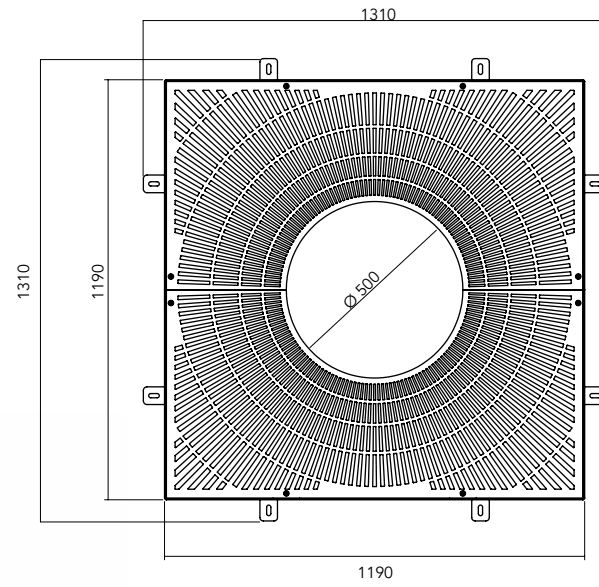


# SALVAPIANTE TREEGUARDS

# LINE 1

## CODE

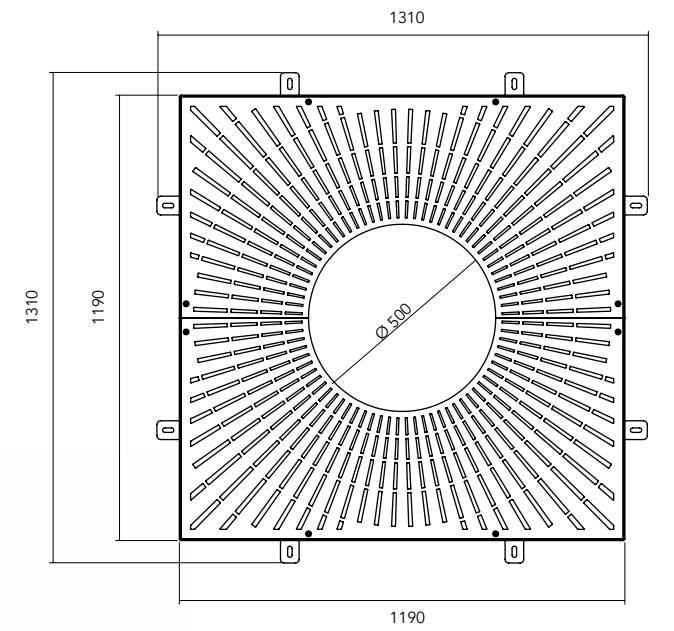
- UL-SLP-003-A 735 X 735 mm, Ø 320 mm
- UL-SLP-003-B 990 X 990 mm, Ø 500 mm
- UL-SLP-003-C 1190 X 1190 mm, Ø 500 mm
- UL-SLP-003-D 1190 X 1190 mm, Ø 800 mm
- UL-SLP-003-E 1440 X 1440 mm, Ø 800 mm
- UL-SLP-003-F 1990 X 1990 mm, Ø 800 mm



# LINE 2

## CODE

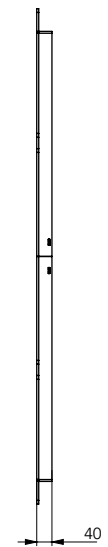
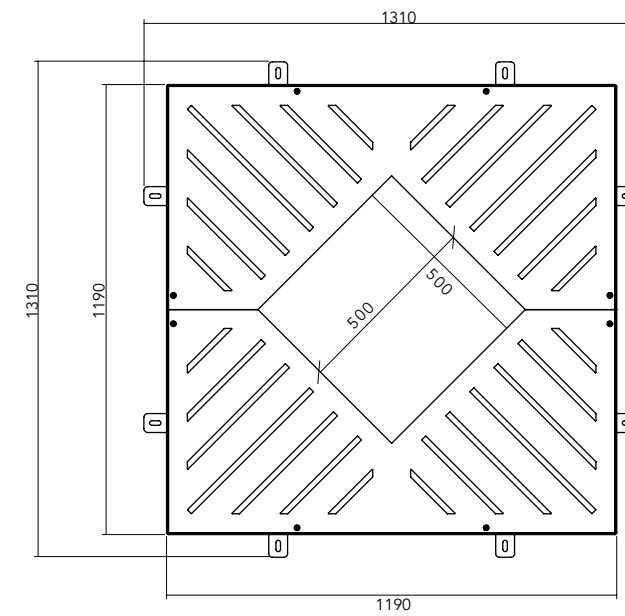
- UL-SLP-005-A 735 X 735 mm, Ø 320 mm
- UL-SLP-005-B 990 X 990 mm, Ø 500 mm
- UL-SLP-005-C 1190 X 1190 mm, Ø 500 mm
- UL-SLP-005-D 1190 X 1190 mm, Ø 800 mm
- UL-SLP-005-E 1440 X 1440 mm, Ø 800 mm
- UL-SLP-005-F 1990 X 1990 mm, Ø 800 mm



# LINE 3

## CODE

- UL-SLP-004-A 735 X 735 mm, f./h. 320 x 320 mm
- UL-SLP-004-B 990 X 990 mm, f./h. 500 x 500 mm
- UL-SLP-004-C 1190 X 1190 mm, f./h. 500 x 500 mm
- UL-SLP-004-D 1190 X 1190 mm, f./h. 800 x 800 mm
- UL-SLP-004-E 1440 X 1440 mm, f./h. 800 x 800 mm
- UL-SLP-004-F 1990 X 1990 mm, f./h. 800 x 800 mm

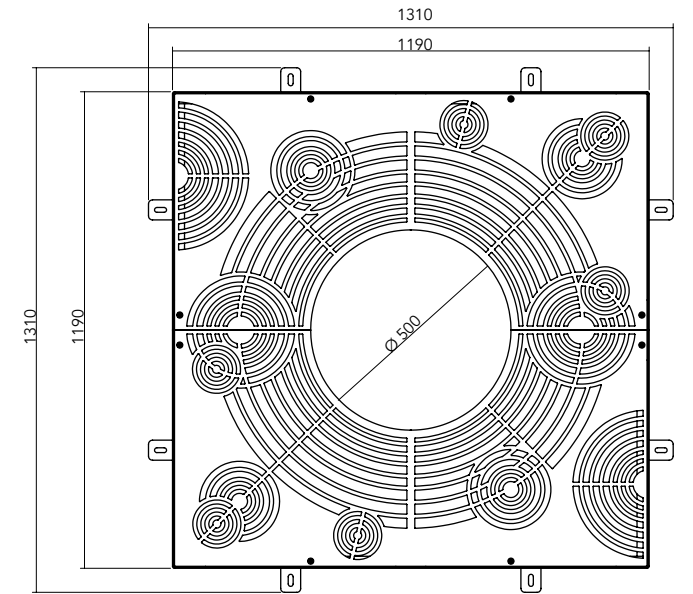


# DROP



## CODE

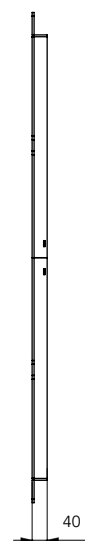
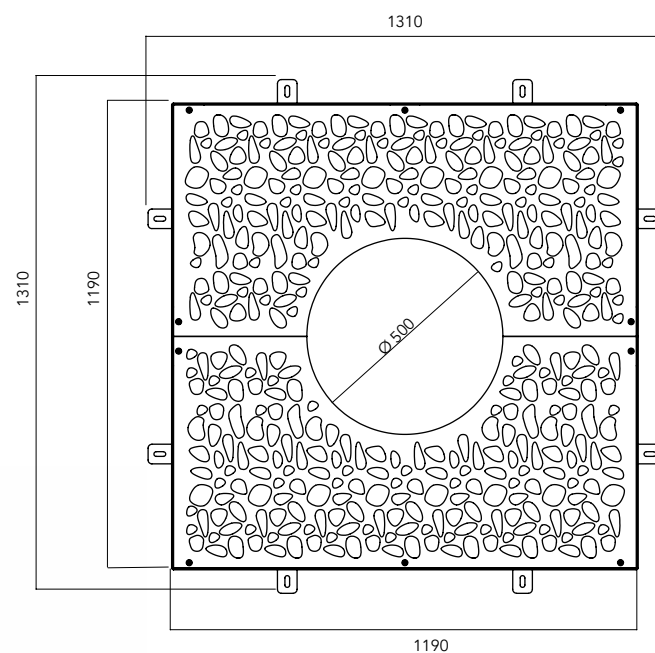
- UL-SLP-001-A 735 X 735 mm, Ø 320 mm
- UL-SLP-001-B 990 X 990 mm, Ø 500 mm
- UL-SLP-001-C 1190 X 1190 mm, Ø 500 mm
- UL-SLP-001-D 1190 X 1190 mm, Ø 800 mm
- UL-SLP-001-E 1440 X 1440 mm, Ø 800 mm
- UL-SLP-001-F 1990 X 1990 mm, Ø 800 mm



# CLAPS

## CODE

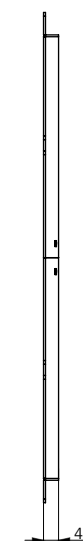
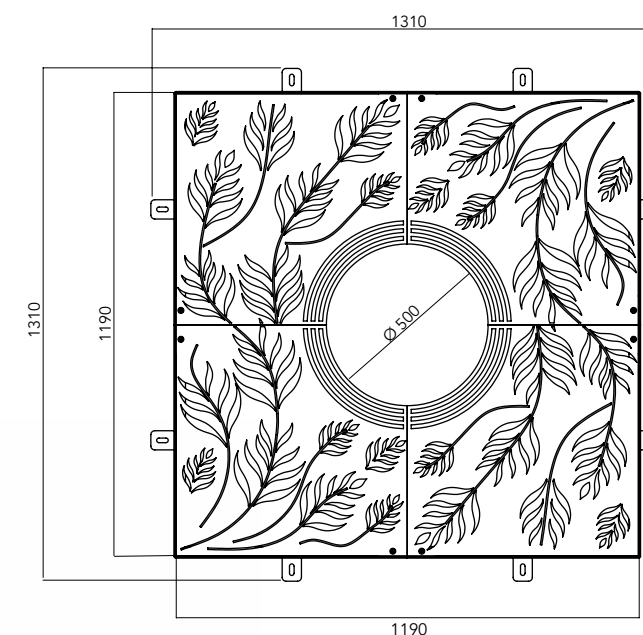
- UL-SLP-007-A 735 X 735 mm, Ø 320 mm
- UL-SLP-007-B 990 X 990 mm, Ø 500 mm
- UL-SLP-007-C 1190 X 1190 mm, Ø 500 mm
- UL-SLP-007-D 1190 X 1190 mm, Ø 800 mm
- UL-SLP-007-E 1440 X 1440 mm, Ø 800 mm
- UL-SLP-007-F 1990 X 1990 mm, Ø 800 mm



# LEAFS

## CODE

- UL-SLP-002-A 735 X 735 mm, Ø 320 mm
- UL-SLP-002-B 990 X 990 mm, Ø 500 mm
- UL-SLP-002-C 1190 X 1190 mm, Ø 500 mm
- UL-SLP-002-D 1190 X 1190 mm, Ø 800 mm
- UL-SLP-002-E 1440 X 1440 mm, Ø 800 mm
- UL-SLP-002-F 1990 X 1990 mm, Ø 800 mm



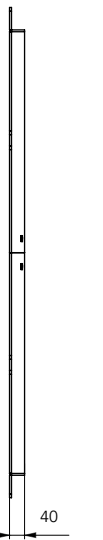
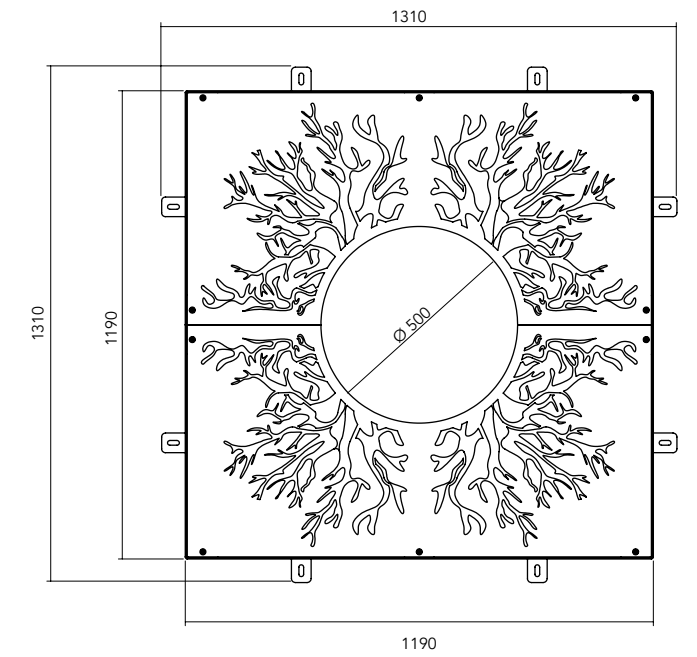


# ROOTS



## CODE

- UL-SLP-006-A 735 X 735 mm, Ø 320 mm
- UL-SLP-006-B 990 X 990 mm, Ø 500 mm
- UL-SLP-006-C 1190 X 1190 mm, Ø 500 mm
- UL-SLP-006-D 1190 X 1190 mm, Ø 800 mm
- UL-SLP-006-E 1440 X 1440 mm, Ø 800 mm
- UL-SLP-006-F 1990 X 1990 mm, Ø 800 mm

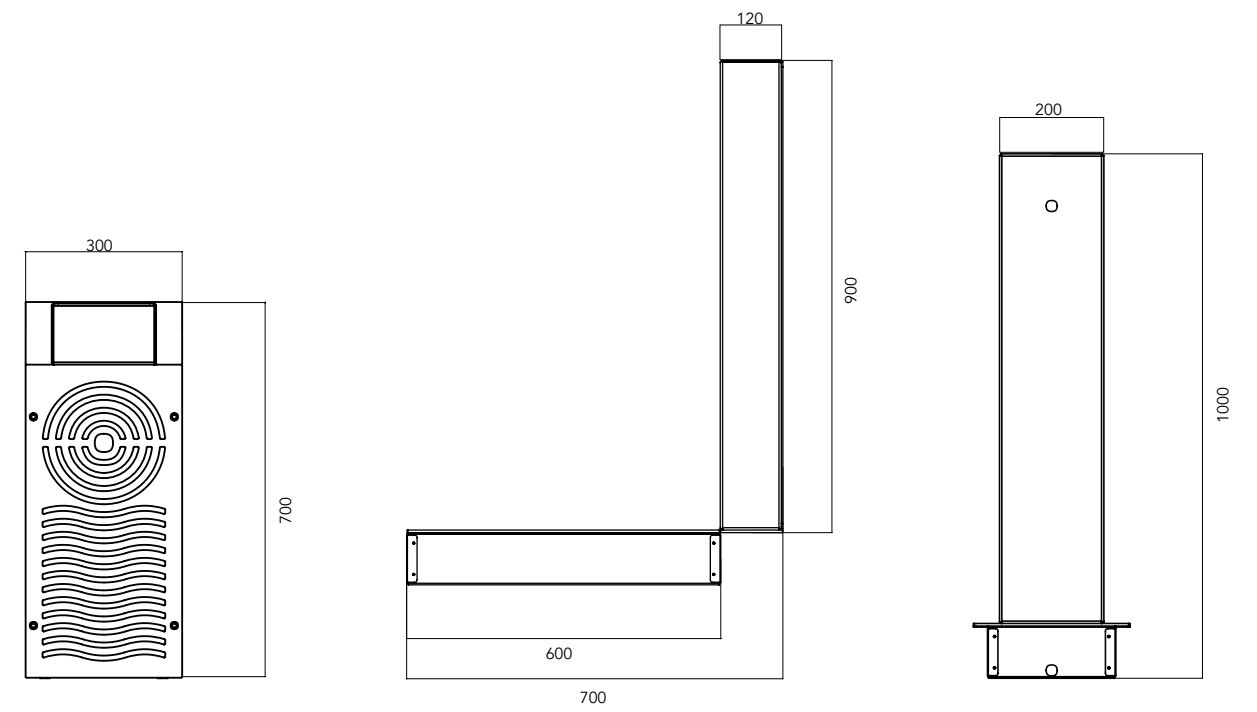




FONTANE  
DRINK FOUNTAINS

CLEAN

CODE UL - FNT - 001





---

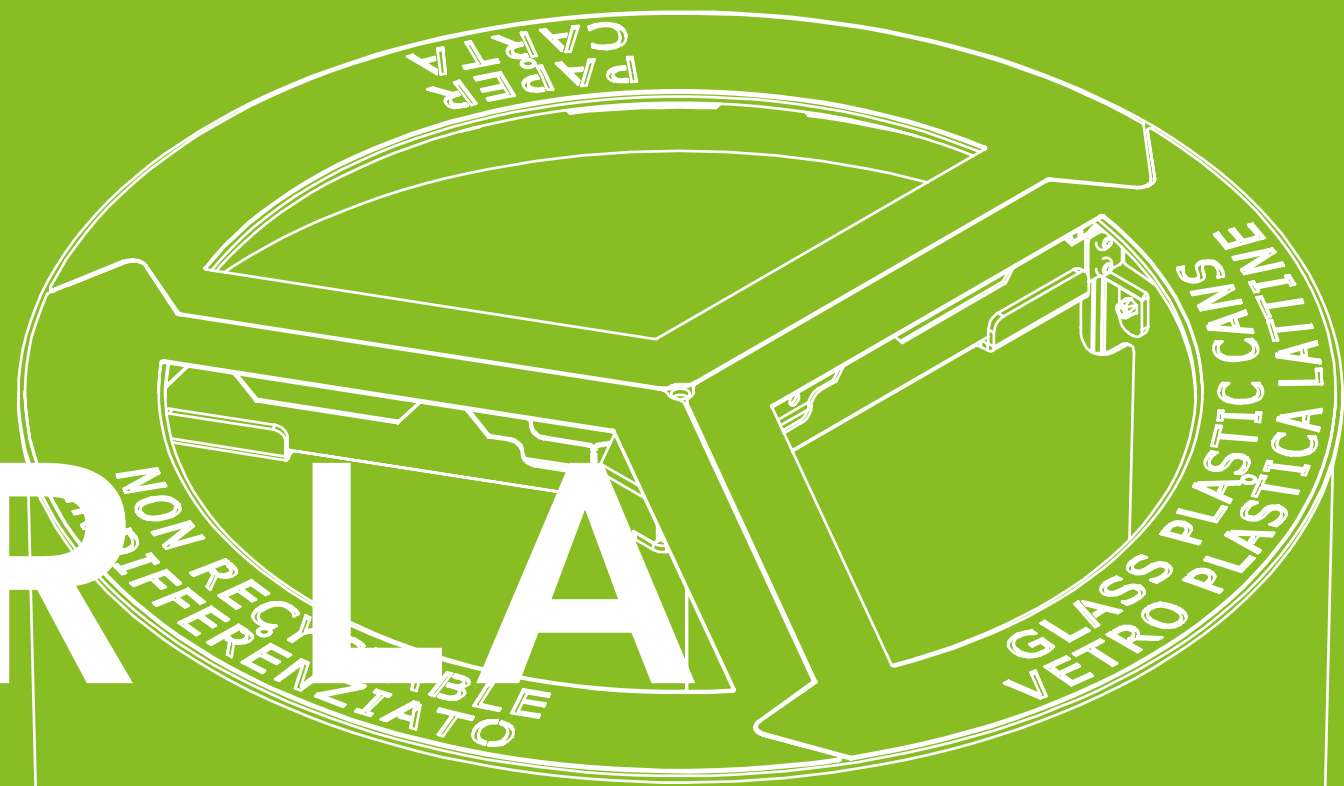
**INDEX ECO LIFE**

---

- 298** CESTINI PER LA RACCOLTA DIFFERENZIATA  
RECYCLING BINS
- 322** CONTENITORI PER LAMPADE E RAE  
CONTAINERS FOR LAMPS AND WEEE
- 328** CONTENITORI PER PILE ESAUSTE  
CONTAINERS FOR EXHAUSTED BATTERIES
- 

ECO  
LIFE

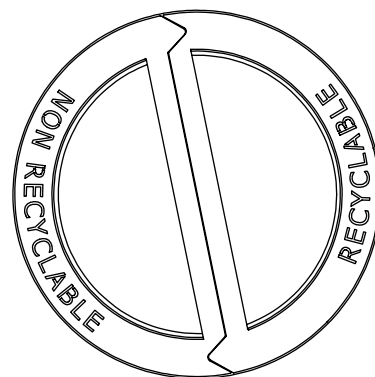
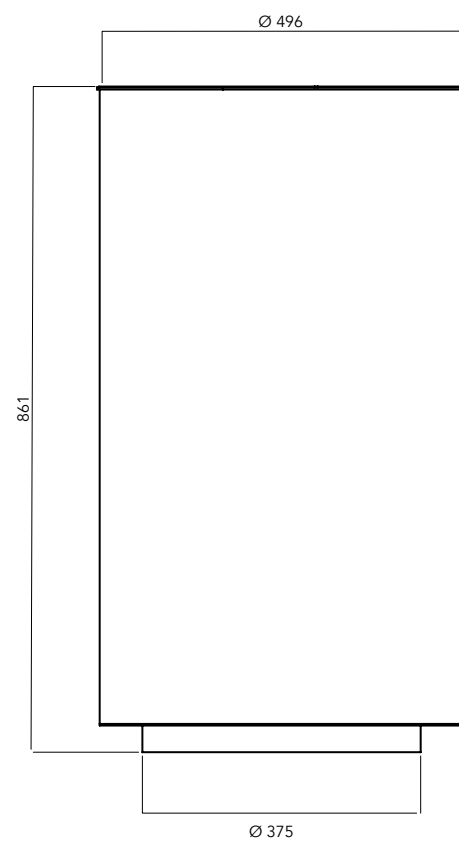
CESTINI PER  
RACCOLTA  
DIFFERENZIATA  
RECYCLING BINS



# RECYBIN 2

CODE UL - CST - 002

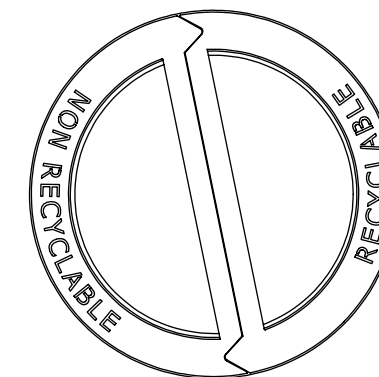
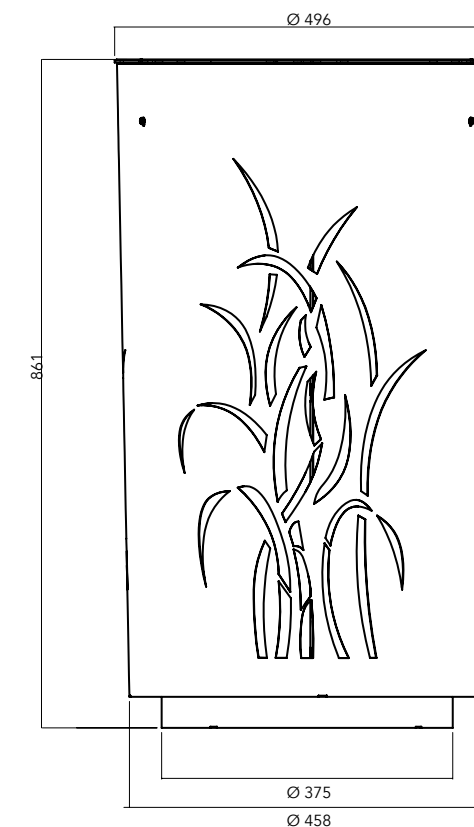
C: 2 X 60 LT



# RECYBIN GRASS 2

CODE UL - CST - 006

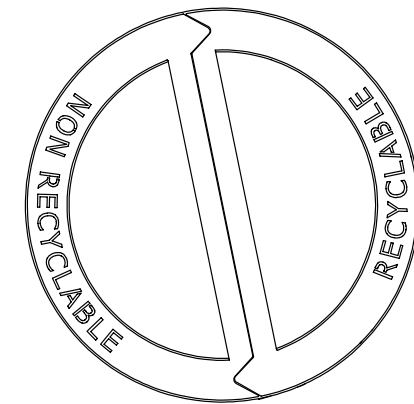
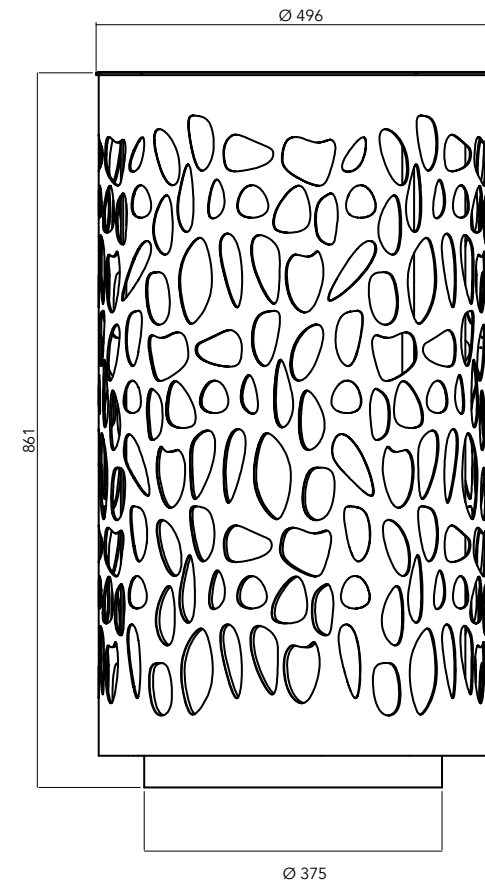
C: 2 X 60 LT



# RECYBIN CLAPS 2

CODE UL - CST - 007

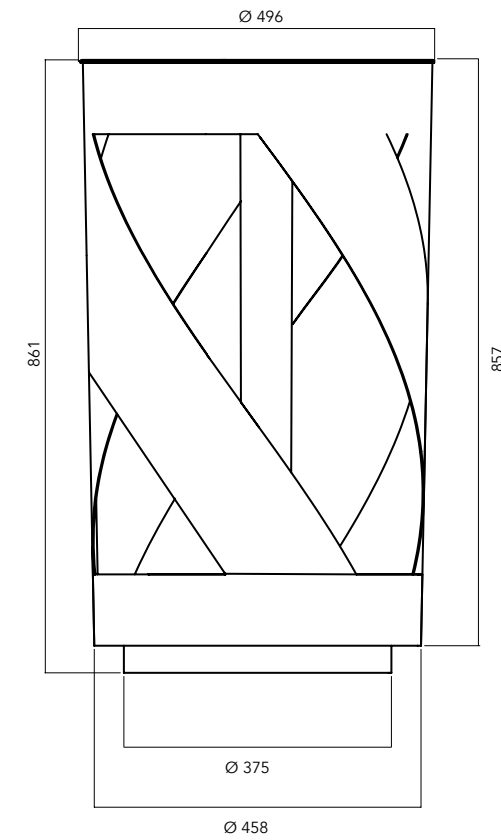
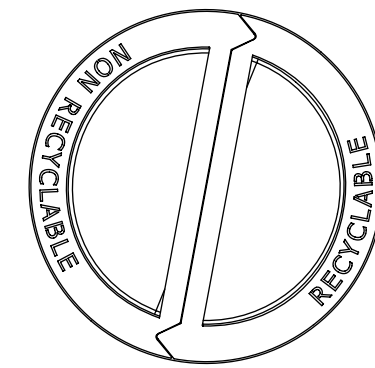
C: 2 X 60 LT



# RECYBIN VP 2

CODE UL - CST - 010

C: 2 X 60 LT

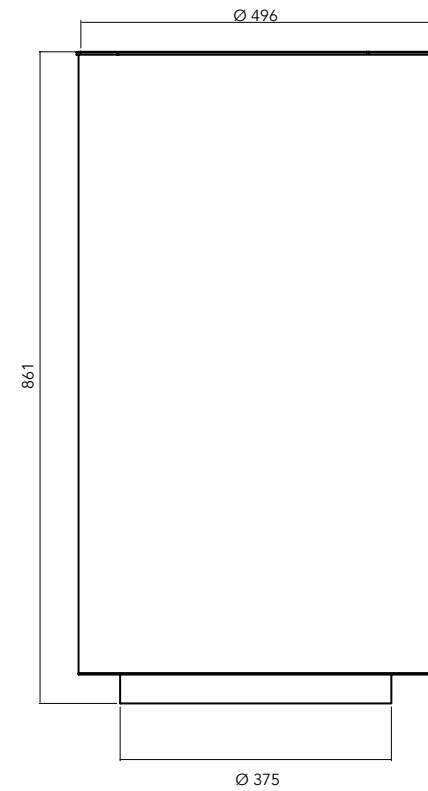
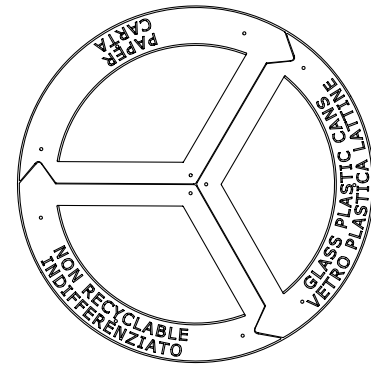




# RECYBIN 3

CODE UL - CST - 001

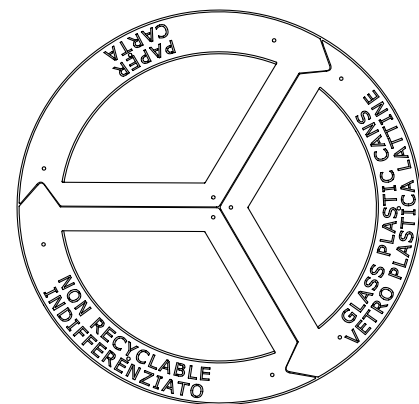
C: 3 X 40 LT



# RECYBIN GRASS 3

CODE UL - CST - 005

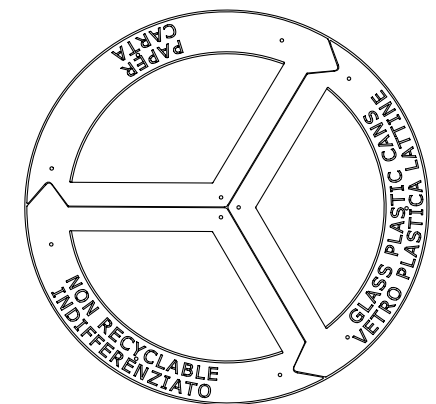
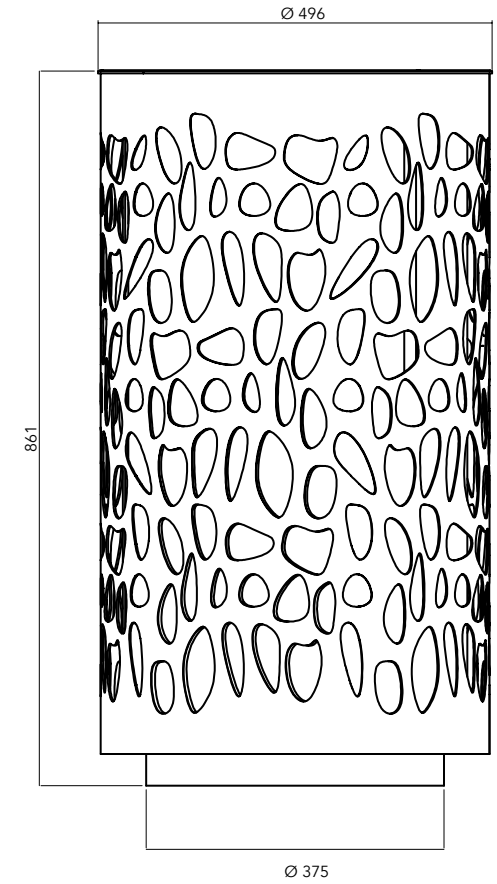
C: 3 X 40 LT



# RECYBIN CLAPS 3

CODE UL - CST - 008

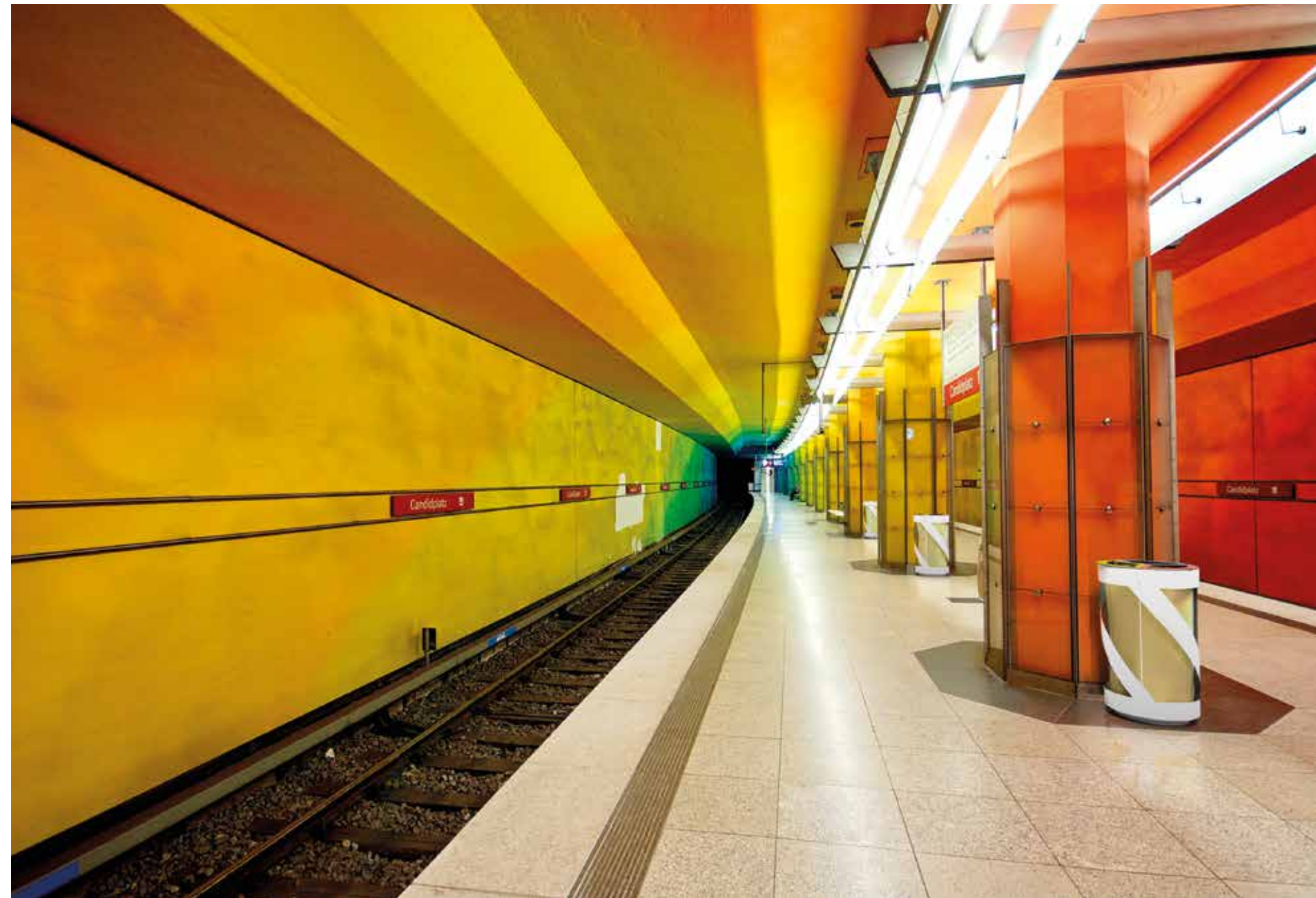
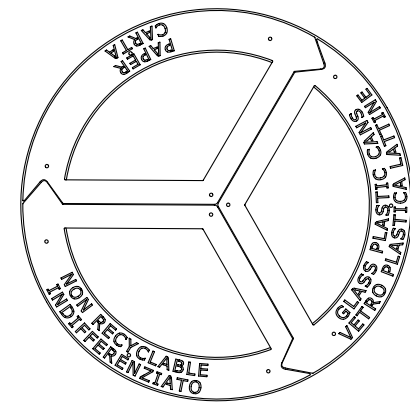
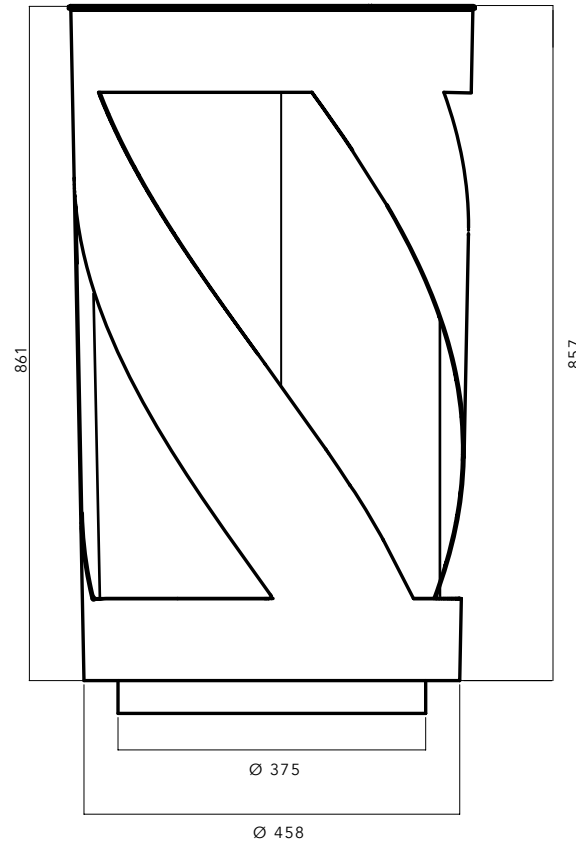
C: 3 X 40 LT



# RECYBIN VP 3

CODE UL - CST - 011

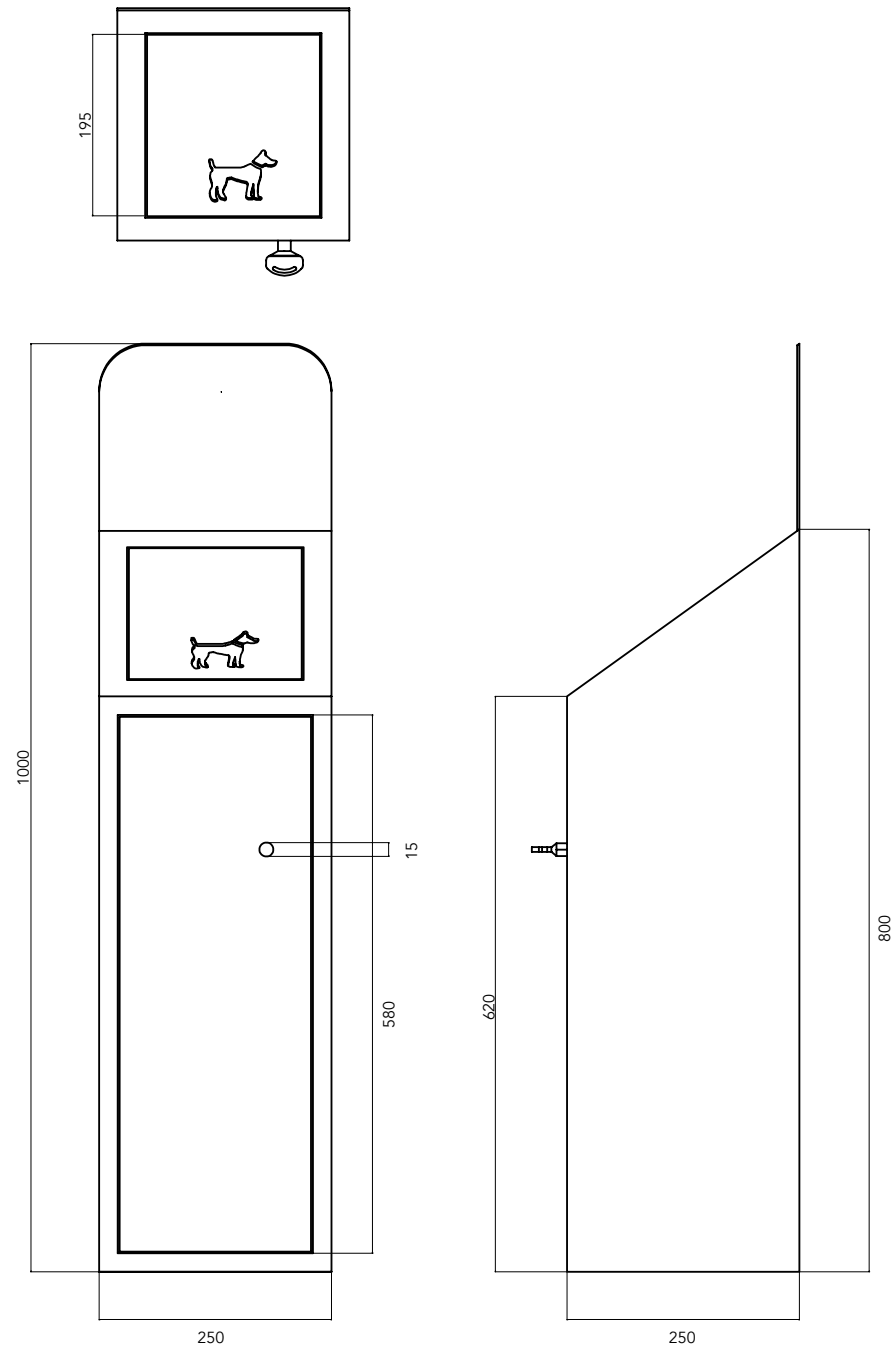
C: 3 X 40 LT



# WILLY

CODE UL - CST - 036

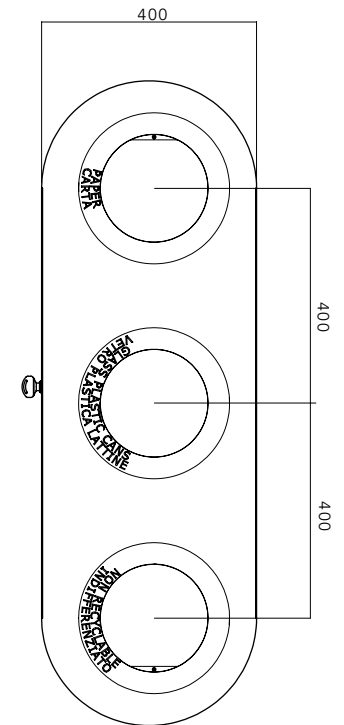
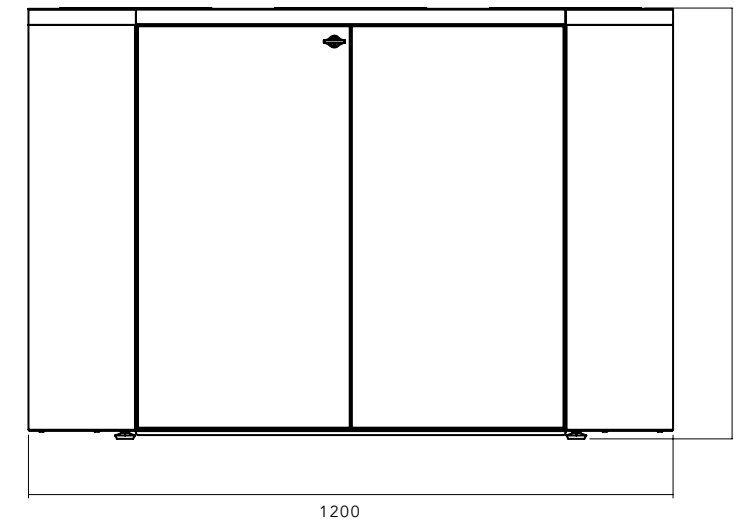
C: 1X 30 LT



# AIR

CODE UL - CST - 009

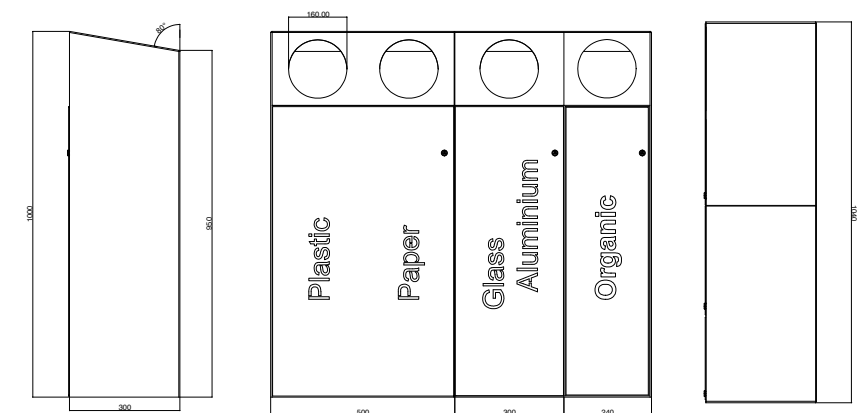
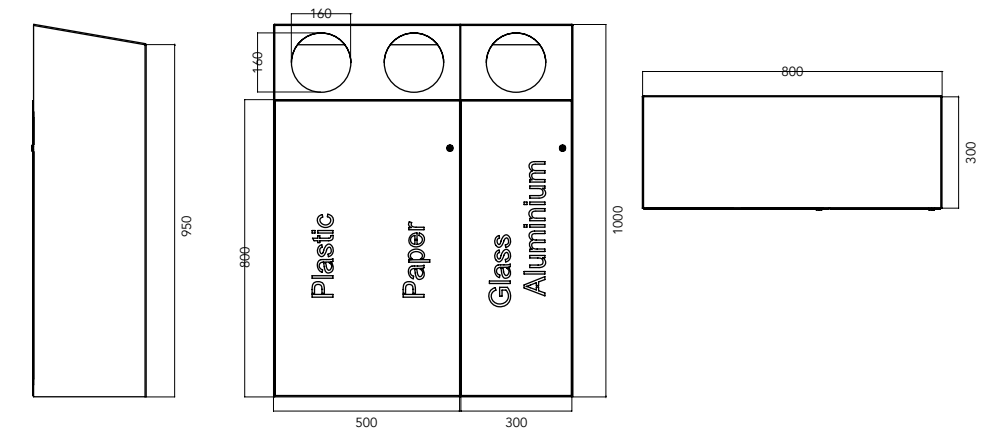
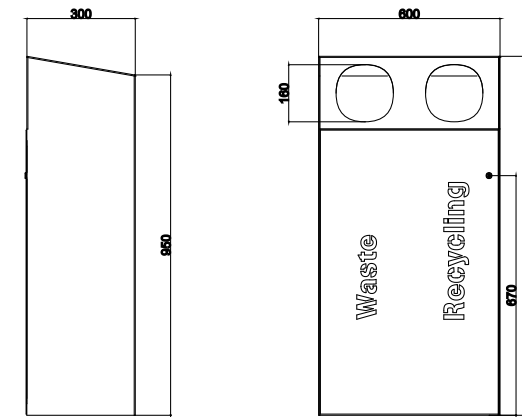
C: 3 X 85 LT



# DUBY

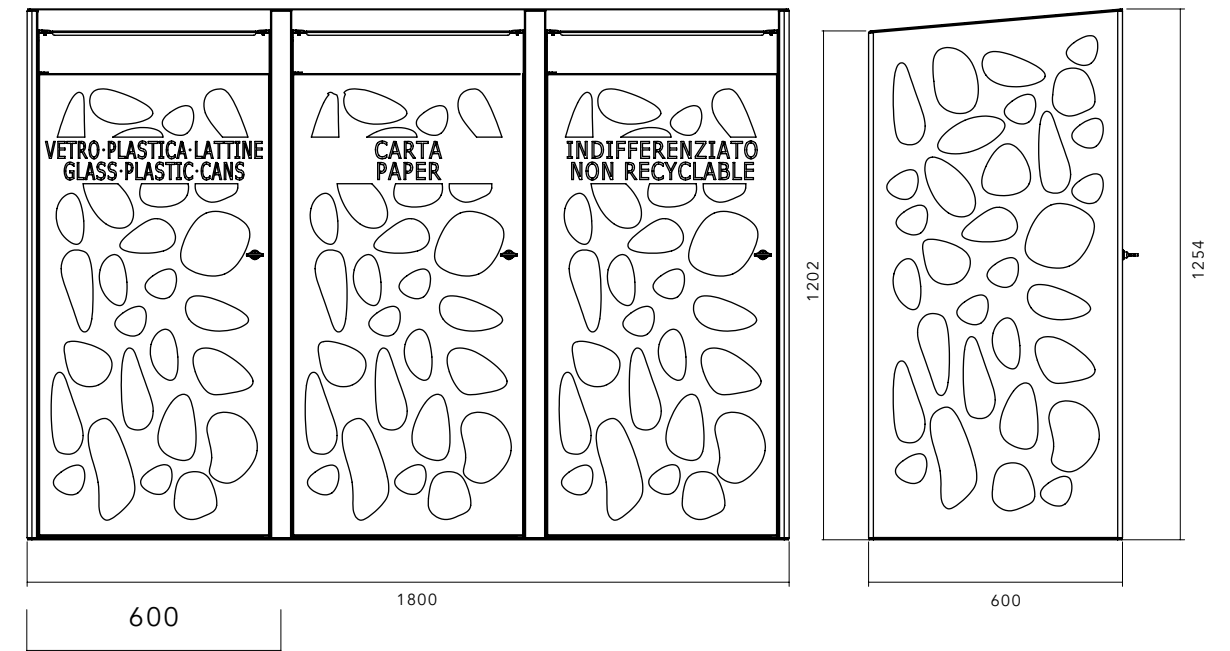
CODE UL - CST - 035

- C: 1 x Plastica / Plastic 50 LT
- 1 x Carta/Paper 50 LT
- 1 x Vetro/Alluminio Glass/Aluminium 60 LT

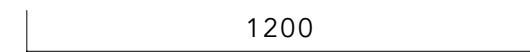


# COVER BIN CLAPS

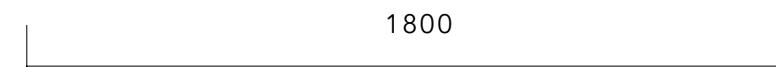
CODE A UL - CST - 012 - A / CODE B UL - CST - 012 - B / CODE C UL - CST - 012 - C



CODE A UL - CST - 012 - A  
CAPACITÀ / CAPACITY 1 X 120/240/360 lt



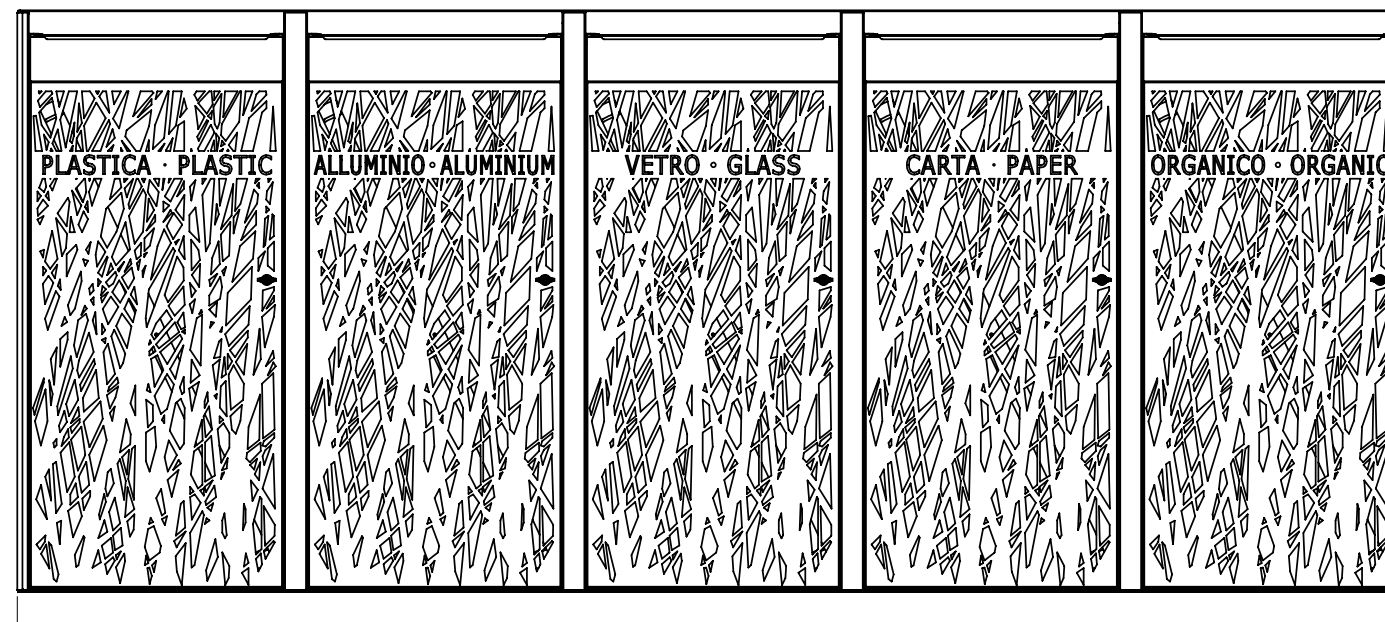
CODE B UL - CST - 012B  
CAPACITÀ / CAPACITY 2 X 120/240/360 lt



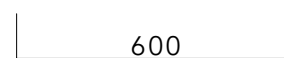
CODE C UL - CST - 012C  
CAPACITÀ / CAPACITY 3 X 120/240/360 lt

# COVER BIN LINES

CODE A UL - CST - 004 - A / CODE B UL - CST - 004 - B / CODE C UL - CST - 004 - C / CODE D UL - CST - 004 - D  
 CODE E UL - CST - 004 - E



3000



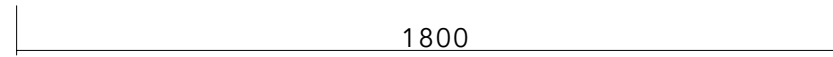
600

CODE A UL - CST - 004 A  
 CAPACITÀ / CAPACITY 1 X 120/240/360 lt



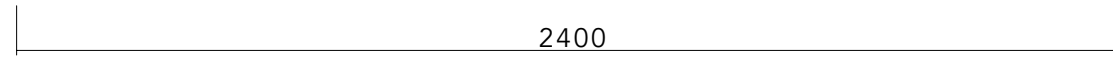
1200

CODE B UL - CST - 004 B  
 CAPACITÀ / CAPACITY 2 X 120/240/360 lt



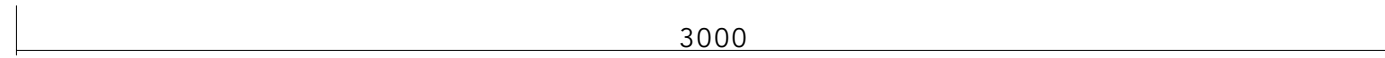
1800

CODE C UL - CST - 004 C  
 CAPACITÀ / CAPACITY 3 X 120/240/360 lt



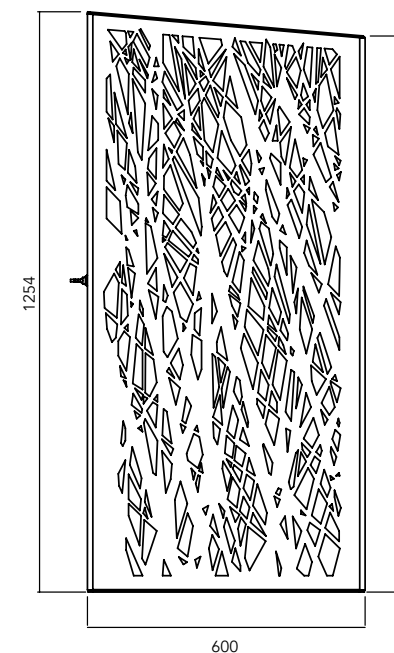
2400

CODE D UL - CST - 004 D  
 CAPACITÀ / CAPACITY 4 X 120/240/360 lt



3000

CODE E UL - CST - 004 E  
 CAPACITÀ / CAPACITY 5 X 120/240/360 lt



1254

600

1202

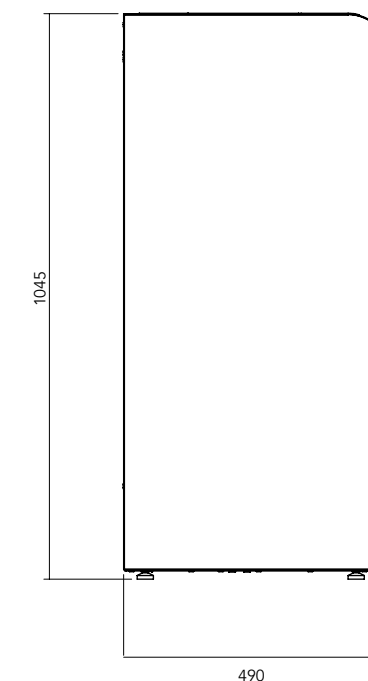
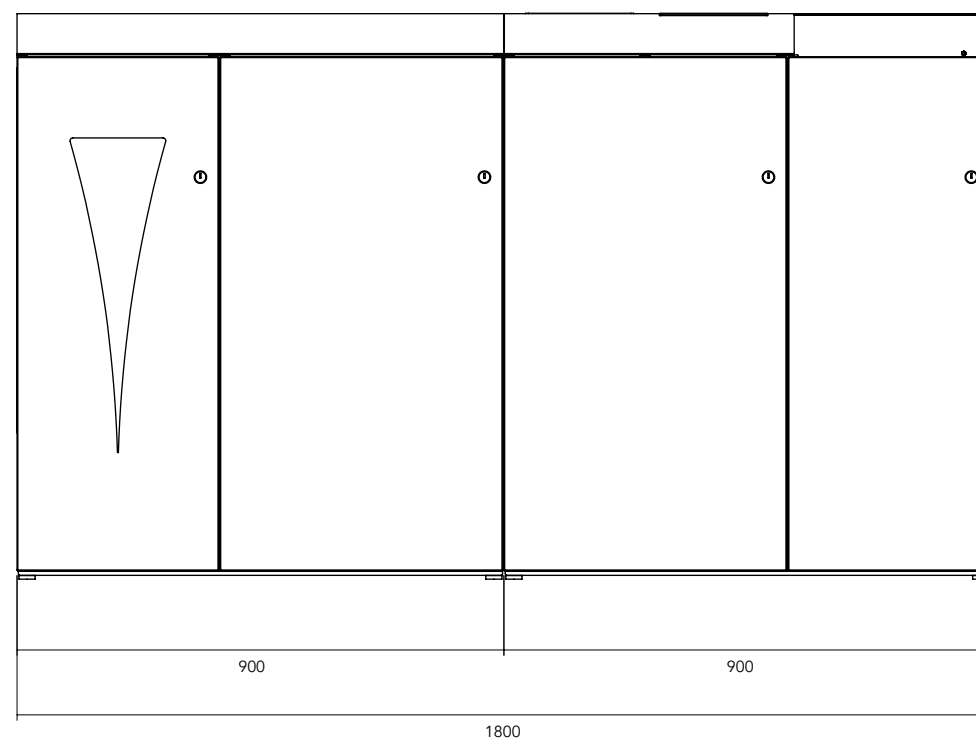




CONTENITORI PER  
LAMPADERE RAE  
CONTAINER FOR  
LAMPS AND WEEE

# MULTICONTENIDOR

CODE EL - RIC - 001

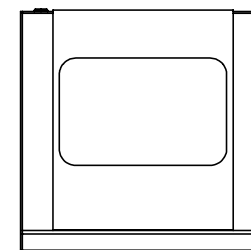
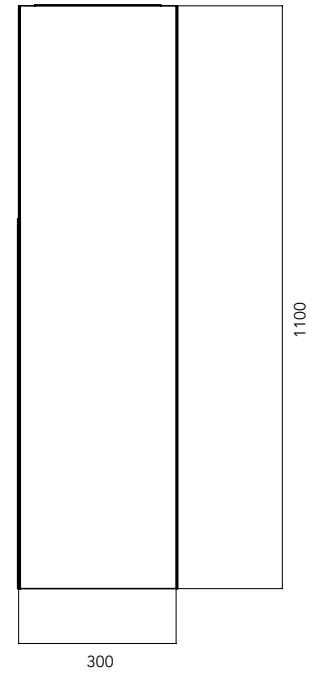
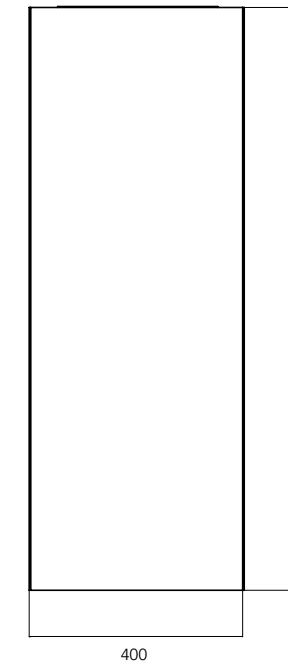
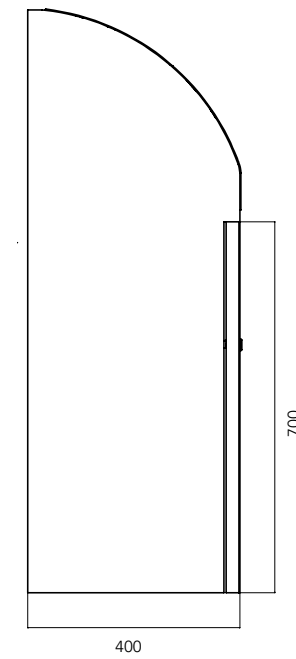


Il prodotto "Multicontenedor" è protetto con Disegno Comunitario n° 002246009 EMand come modello di utilità n° 201330661 ES e n° 201330660 ES, titolare dei dritti è ASOCIACIÓN AMBILAMP.

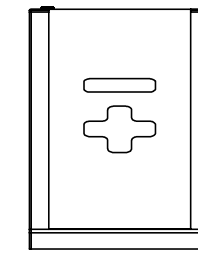
The product "Multicontenedor" is protected as a Community Design n° 002246009 EMand as a Spanish Utility Models n° 201330661 ES and n° 201330660 ES. The Holder of the three rights is ASOCIACIÓN AMBILAMP.

# RECYMA

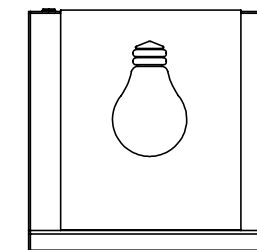
CODE EL - RIC - 005



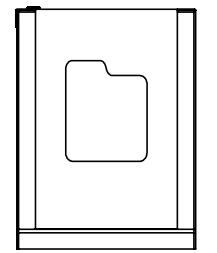
RAE /  
WEEE



PILE /  
BATTERIES



LAMPADINE /  
LAMPS



CARTUCCE /  
INK JET

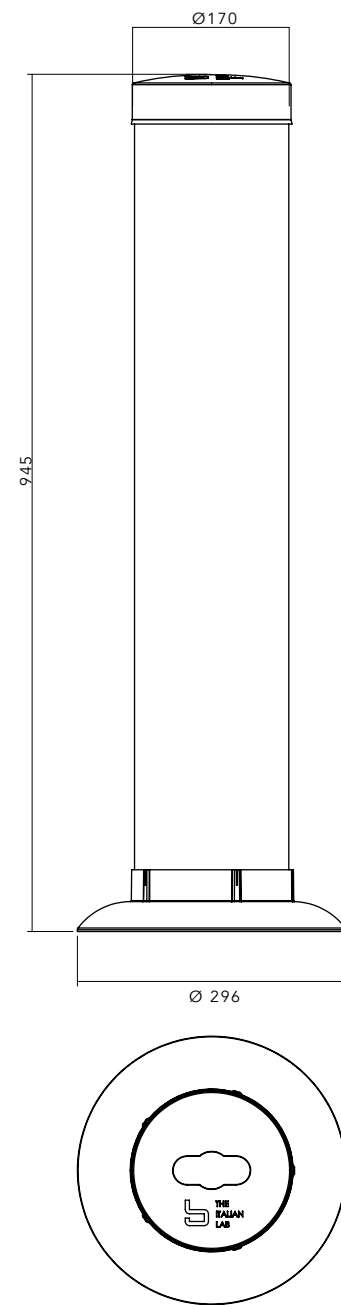
CONTENITORI PER  
PILE ESAUSTE  
CONTAINERS FOR  
EXHAUSTED BATTERIES



# BATTERY 20 LT

CODE EL - BAT - 001

COLORI DISPONIBILI BLU / ROSSO / VERDE / MAGENTA  
AVAILABLE COLOURS BLUE / RED / GREEN / MAGENTA



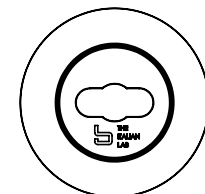
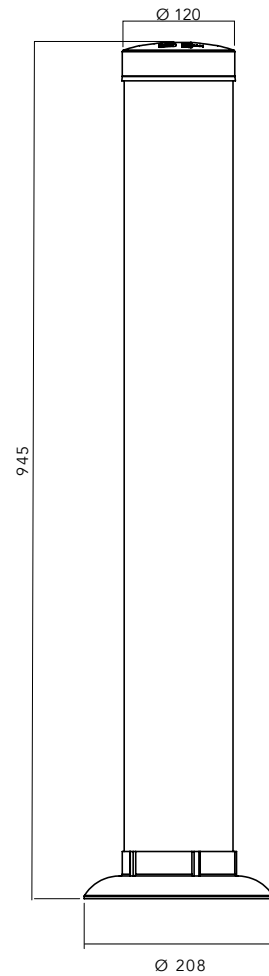
ESEMPI DI PERSONALIZZAZIONI  
EXAMPLE OF CUSTOMIZATION



# BATTERY 10 LT

CODE EL - BAT - 003

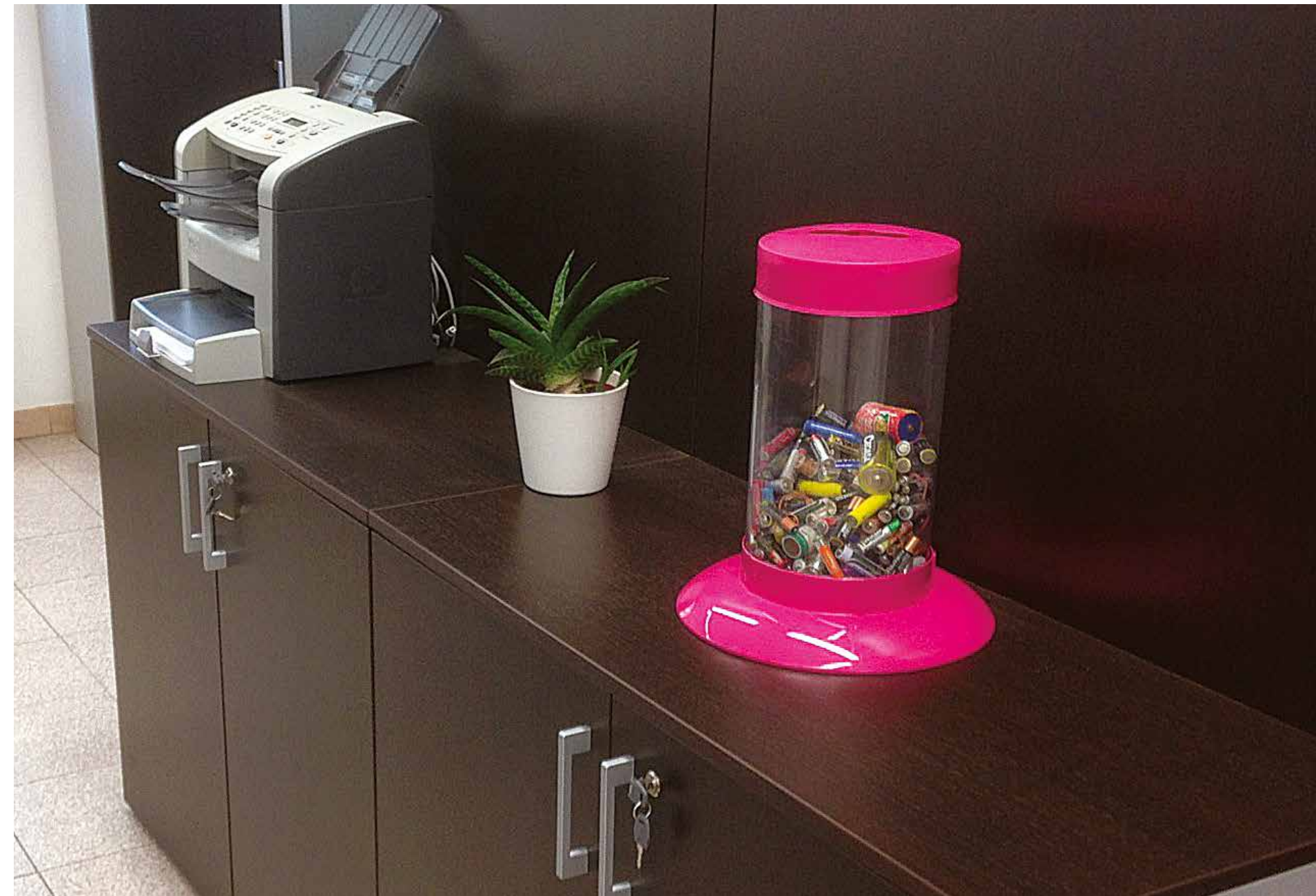
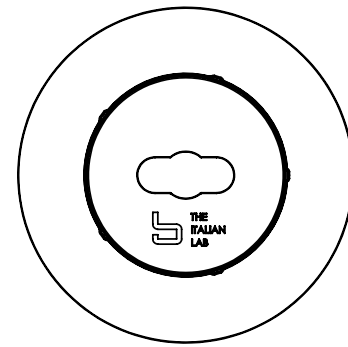
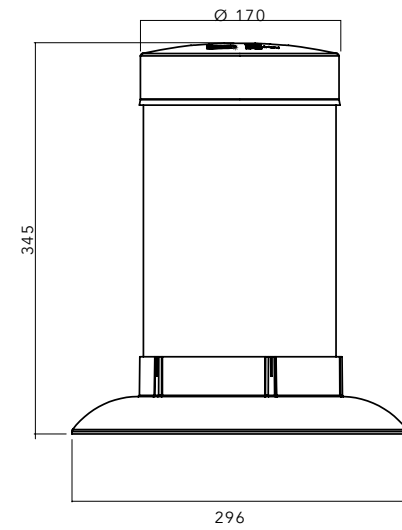
COLORI DISPONIBILI BLU / ROSSO / VERDE / MAGENTA  
AVAILABLE COLOURS BLUE / RED / GREEN / MAGENTA



# BATTERY 7 LT

CODE EL - BAT - 002

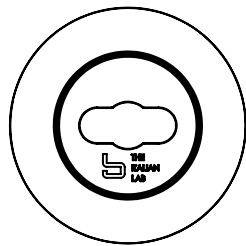
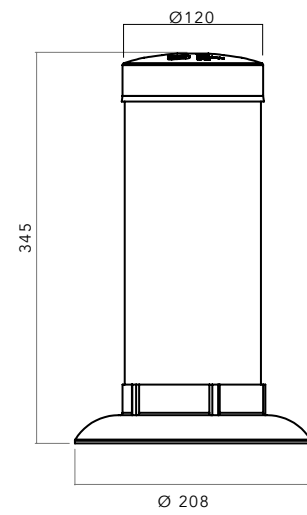
COLORI DISPONIBILI BLU / ROSSO / VERDE / MAGENTA  
AVAILABLE COLOURS BLUE / RED / GREEN / MAGENTA



# BATTERY 3.5 LT

CODE EL - BAT - 004

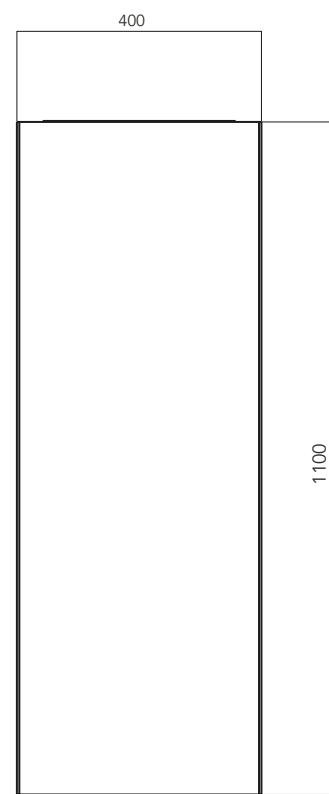
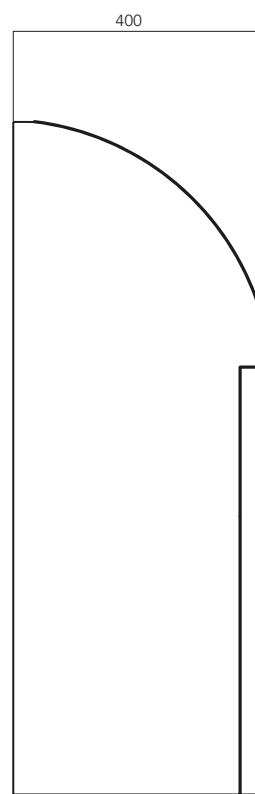
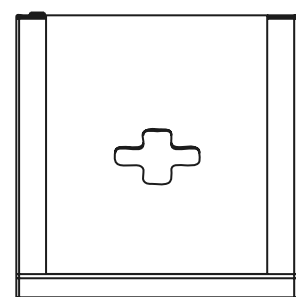
COLORI DISPONIBILI BLU / ROSSO / VERDE / MAGENTA  
AVAILABLE COLOURS BLUE / RED / GREEN / MAGENTA





# RECYPHARM 100

CODE UL - CST - 084



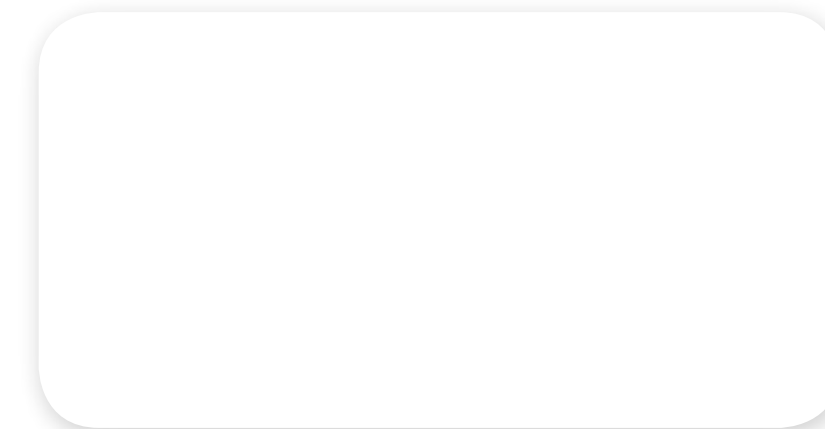
## GLOBAL NETWORK

AUSTRALIA  
AUSTRIA  
DENMARK  
FINLAND  
FRANCE  
GERMANY  
GREAT BRITAIN  
HOLLAND  
ILE DE LA REUNION  
ISRAEL  
ITALY  
JAPAN  
KUWAIT  
NORWAY  
QATAR  
SAUDI ARABIA  
SWITZERLAND  
TURKEY  
UNITED ARAB EMIRATES  
USA

ITALIAN LAB srl  
Copyright© All rights reserved



REPRESENTATIVE



URBAN FURNITURE · RECYCLING CONTAINERS

#theitalianlab



**ITALIAN LAB srl**

Via Industrie 7

31057 Silea TREVISO - ITALY

T. +39 0422 1721960

[www.theitalianlab.it](http://www.theitalianlab.it)

[info@theitalianlab.it](mailto:info@theitalianlab.it)

