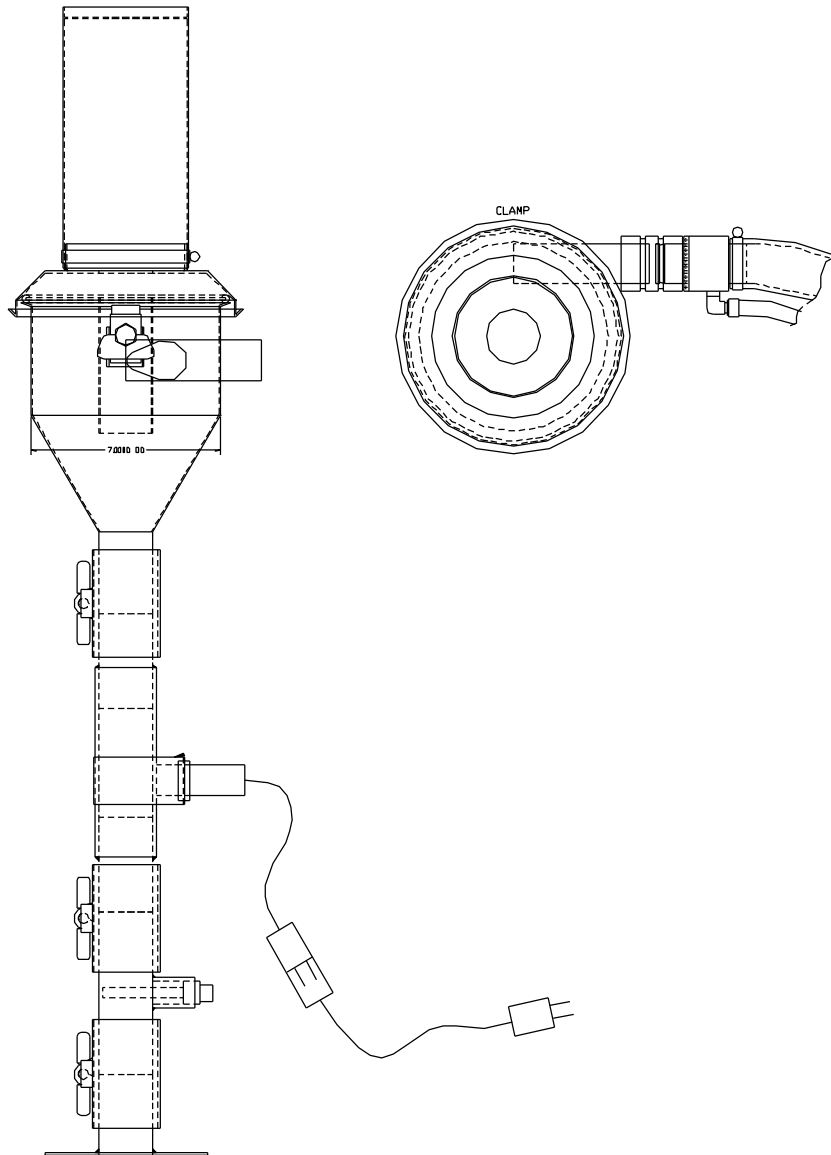


*Thoreson-McCosh Inc.*

# TORNADO COMPRESSED AIR LOADER



**IB199907**

**THORESON-McCOSH INC**  
1885 Thunderbird St. Troy MI. 48084  
Phone 1-248-362-0960  
Fax 1-248-362-5270  
sales@thoresonmccosh.com



# Thoreson-McCosh Inc.

The information contained in this Instruction Manual is provided to you for the maintenance of your Thoreson McCosh equipment.

Also included in this manual are operating instructions, a service parts list, and wiring diagrams. Please file this manual for future use.

For additional information, please contact:

THORESON-McCOSH Inc. 1885 Thunderbird Street Troy, MI 48084 Phone: (248) 362-0960 Facsimile: (248) 362-5270 <a href="mailto:sales@thoresonmccosh.com">sales@thoresonmccosh.com</a>
---

## CUSTOMER RECORDS

Upon receipt of your Thoreson McCosh equipment, it is very important that you complete the table below. The information will be needed to best serve you when you call the Thoreson McCosh Service Department with questions or to order replacement parts. The information is located on the Serial Tag on the unit and inside the door of the control box.

Model Name	_____
Serial No.	_____
Wiring Diagram No.	_____
Program No.	_____
Layout No.	_____



# Thoreson-McCosh Inc.

## Table of Contents

SECTION 1:	WARRANTY.....	3
SECTION 2:	TORNADO INSTRUCTIONS.....	4
2.1:	INTRODUCTION.....	4
2.2:	METHOD OF OPERATION.....	4
2.3:	INSTALLATION AND SETUP .....	4
SECTION 3:	FILTER MAINTENANCE.....	4
SECTION 4:	PROXIMITY SWITCH INSTRUCTIONS .....	5
4.1:	MOUNTING.....	5
4.2:	SENSITIVITY SETTING.....	5
4.3:	DIMENSIONS.....	6
4.4:	TECHNICAL DATA.....	6,7
	TABLE 4.5 (CONVERSION FACTORS .....	7
SECTION 5:	LAYOUTS	
	TORNADO LOADER WIRING DIAGRAM 412997-A.....	8
	TORNADO LOADER LA98009-D.....	9



# Thoreson-McCosh Inc.

## SECTION 1 THORESON MCCOSH PRODUCT WARRANTY

Thoreson McCosh warrants each product of its manufacture to be free from defects in material and workmanship for a period of 12 months from the date of delivery to the original purchaser. Thoreson McCosh's obligation under this warranty is limited to repairing or replacing any part returned to the Thoreson McCosh factory with transportation charges prepaid, and which, on examination by Thoreson McCosh, shall disclose to Thoreson McCosh's satisfaction to have been defective.

The purchaser must notify Thoreson McCosh of such defects and promptly deliver the defective part(s) in accordance with Thoreson McCosh's shipping instructions, delivery prepaid. Parts will be replaced F.O.B. Thoreson McCosh factory, by Thoreson McCosh, and will be invoiced to the purchaser with "credit on return of defective part", if the part is returned within fifteen (15) days after shipment of replacement part. Thoreson McCosh is not liable for installation or cost to install the replacement part or removal of the defective part.

Thoreson McCosh is not responsible for any failure of its product due to improper use, installation, or operation. Thoreson McCosh shall not assume any expense or liability for repairs made to any Thoreson McCosh unit or equipment outside Thoreson McCosh's own factory unless specifically agreed to in writing by Thoreson McCosh.

Equipment and accessories furnished by us, but manufactured by others, are guaranteed to the extent of the original manufacturer's guarantee to Thoreson McCosh, if that guarantee exceeds one (1) year.

It is expressly understood that Thoreson McCosh is not responsible for damage and/or injury caused to buildings, contents, products, or persons by reason of installation or use of any of our products. Thoreson McCosh shall not be liable for loss, damage or expenses arising directly or indirectly from, or being consequential or incidental to, the use of its products or from any other cause.

The above warranty supersedes, and is in lieu of all other warranties expressed or implied; and no person, agent, representative or dealer is authorized to give any warranties on behalf of Thoreson McCosh, not to assume for Thoreson McCosh any other liability in connection with Thoreson McCosh products.



# Thoreson-McCosh Inc.

## SECTION 2: TORNADO COMPRESSED AIR LOADER INSTRUCTIONS

### 2.1 INTRODUCTION

The Thoreson-McCosh Tornado allows economical, maintenance-free loading of granular materials and typical thermoplastic regrinds.

### 2.2 METHOD OF OPERATION

The operation of the Tornado is quite simple. The compressed air enters the takeoff and entrains up to 25 times the amount of compressed air used. The entrained air pulls the material from the collection box to the hopper. The Venturi action of the hopper and the filter separate the material from the air. The compressed air solenoid is turned on and off by the proximity switch mounted on the side of the tube below the hopper. The level of material can be varied by varying the height of the proximity switch.

### 2.3 INSTALLATION AND SETUP

The Tornado should be mounted and fastened to the base plate on the machine throat. The takeoff tube should be mounted and fastened to the collection box, The 1.25" dia. Material line can now be connected between the material inlet of the Tornado and the outlet of the takeoff. Also connect the quarter inch air line between the solenoid outlet on the Tornado to the takeoff tube. The Tornado will perform best when the material lines are connected in the most direct manner with a minimum of bends. Care should be taken to insure that all connections are sealed. Connect the power cord to a 120 V.A.C. source. Connect the prox. switch plug to the 4" x 4" box mounted on the Tornado. Provide a minimum of 60 p.s.i. clean shop air to the solenoid inlet, maximum 70 p.s.i.

## SECTION 3: FILTER MAINTENANCE

Filter specifications:

Filter Bag

Thoreson-McCosh part number 413249

It is recommended that filters be checked periodically for material residue accumulation, and cleaned before the loader's performance is reduced.

Replacement filters are available from **Thoreson-McCosh, Inc.**



# Thoreson-McCosh Inc.

## SECTION 4: PROXIMITY SWITCH INSTRUCTIONS

### SECTION 4.1: MOUNTING INSTRUCTIONS

This 30 mm threaded unit is easy to mount with the two flat nuts provided. Or, use the optional accessories. When mounting using the threaded section/jam nuts, be sure to mount the unit well back of the center of the threaded area, towards rear, leaving side clearance to other objects/metal presence on the front half of the switch.

If sensing product through a non-metallic container, mount the switch flush to the hopper/side sight glass, ect., so that no air gap exits where possible.

### SECTION 4.2: SENSITIVITY SETTING

As received, the KI is set for maximum permissible detection range of 15mm (6") based on a water target. The maximum range can be safely *reduced* by the built in sensitivity adjust. Do not use it to extend the range beyond the spec or non-stability will result.

Step 1: Mount the switch in the actual application and establish the worst case conditions that can cause a false "ON" signal (For example, if sensing liquid level through a sight glass, fill the glass and then reduce the level so moisture and residue clings to the inside of the glass) If the LED is on, turn the pot CCW until it just goes off. If the LED is off turn the pot CW until it turns on, then back off just enough to make it go off

Step 2: Bring the target into position (In the example, bring the liquid level above the switch). The LED should now be on. Turn the pot CCW and count the number of turns until it goes off.

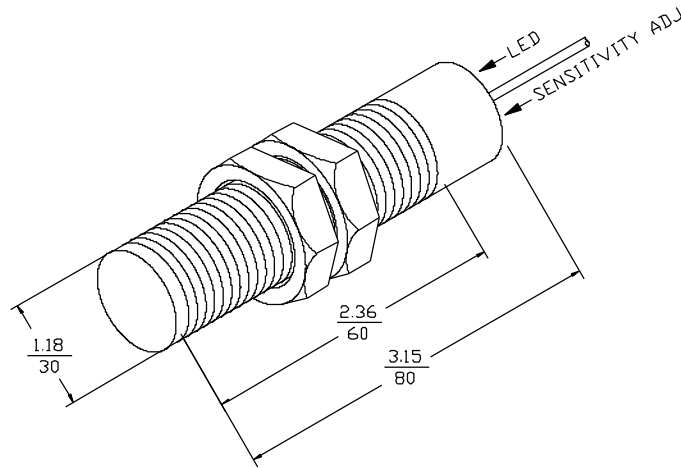
Step 3: Turn the pot CW for ½ the number of the turns from Step 2. (In the example, if it took 4 turns to go from on to off, rotate the pot 2 turns CW) The switch is not set in the midpoint of sensitivity range for maximum stability.

Note: If you have trouble during Step 2 (for example, when sensing lightweight materials) consult the factory for proper sensitivity adjustment



# Thoreson-McCosh Inc.

## SECTION 4.3: DIMENSIONS



## SECTION 4.4: TECHNICAL DATA AT + 20 DEGREE F

Operating Voltage	20-250 VAC 45-65 Hz
Maximum Load Current, Continuous	500mA to + 50 degree C 300mA to + 80 degree C
Inrush Current	I: 2.2A/20ms at f: 0.5 Hz
Voltage Drop	<5.5V at maximum load
Leakage Current	<2.5 mA
Minimum Load Current	5 mA
Maximum Switching Rate	20 Hz
Switching Status Indication	LED
Housing Rating	IP 65 NEMA 3, 4, 12, 13
Ambient Temperature	-25 degree C to +80 degree C (-13 deg +176 degree F)



# Thoreson-McCosh Inc.

Nominal Sensing Range	15 mm, non-flush mountable
Real Sensing Range	from 3 to 15 mm adjustable
Switching Hysteresis	3% - 15% of the sensing range
Correction Factors (approx.)	???
Switch Point, Drift/Repeatability	<+15% of Sensing Range, Over Entire Temperature Range and Voltage Range/<1%
	Plastic: Polybutyleneterphthalate

**Table 4.5: Conversion Factors**

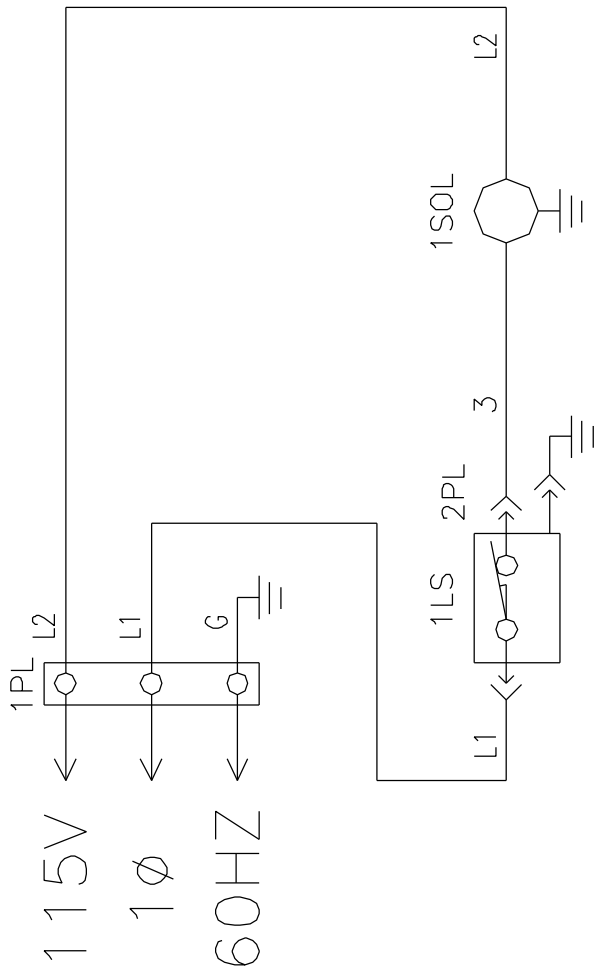
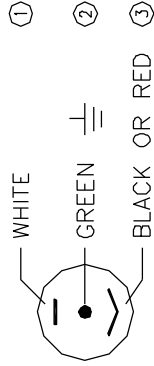
Water	=	1.00
Glass	=	40
Ceramic	=	.20
PVC	=	.20
Wood	=	.2 to 1 (Based on Moisture Content)



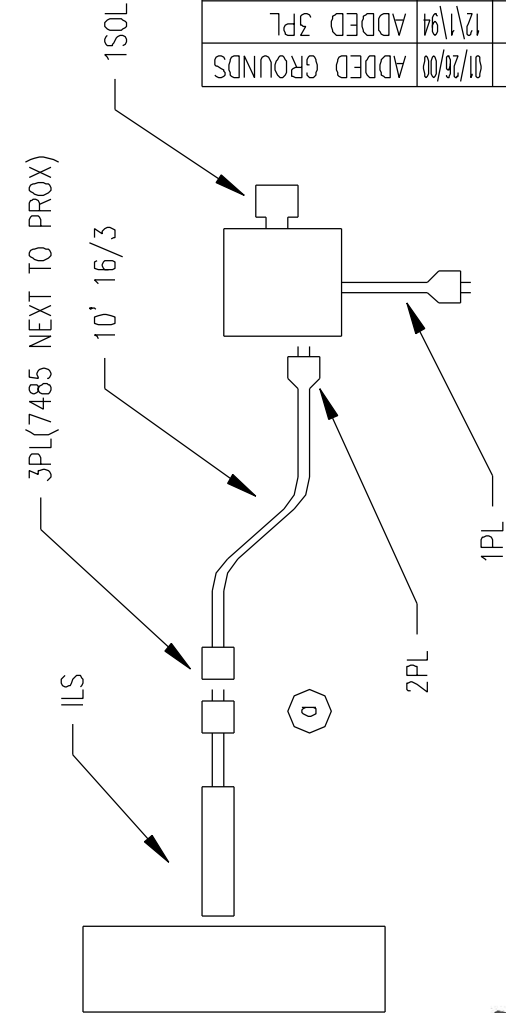


# Thoreson-McCosh Inc.

412997 A



REVISION	
MK.	DESCRIPTION
a	ADDED GROUNDS
12/1/94	ADDED 3PL
01/26/00	



SYM.	AM'T	DESCRIPTION	PART NO.
1PL	1	POWER CORD 16/3	404222
2PL	1	REC. 7487	406494
2PL	1	PLUG, 7485 VBLK	406480
3PL	1	7484 INLINE	406491
3PL	1	PLUG, 7485 VBLK	406480
1LS	1	PROX. SWITCH N.C.	412076
1SOL	1	SOL. VALVE 3/8	406783
ENCL	1	BOX, A404CH	404125

TORNADO LOADER

115V

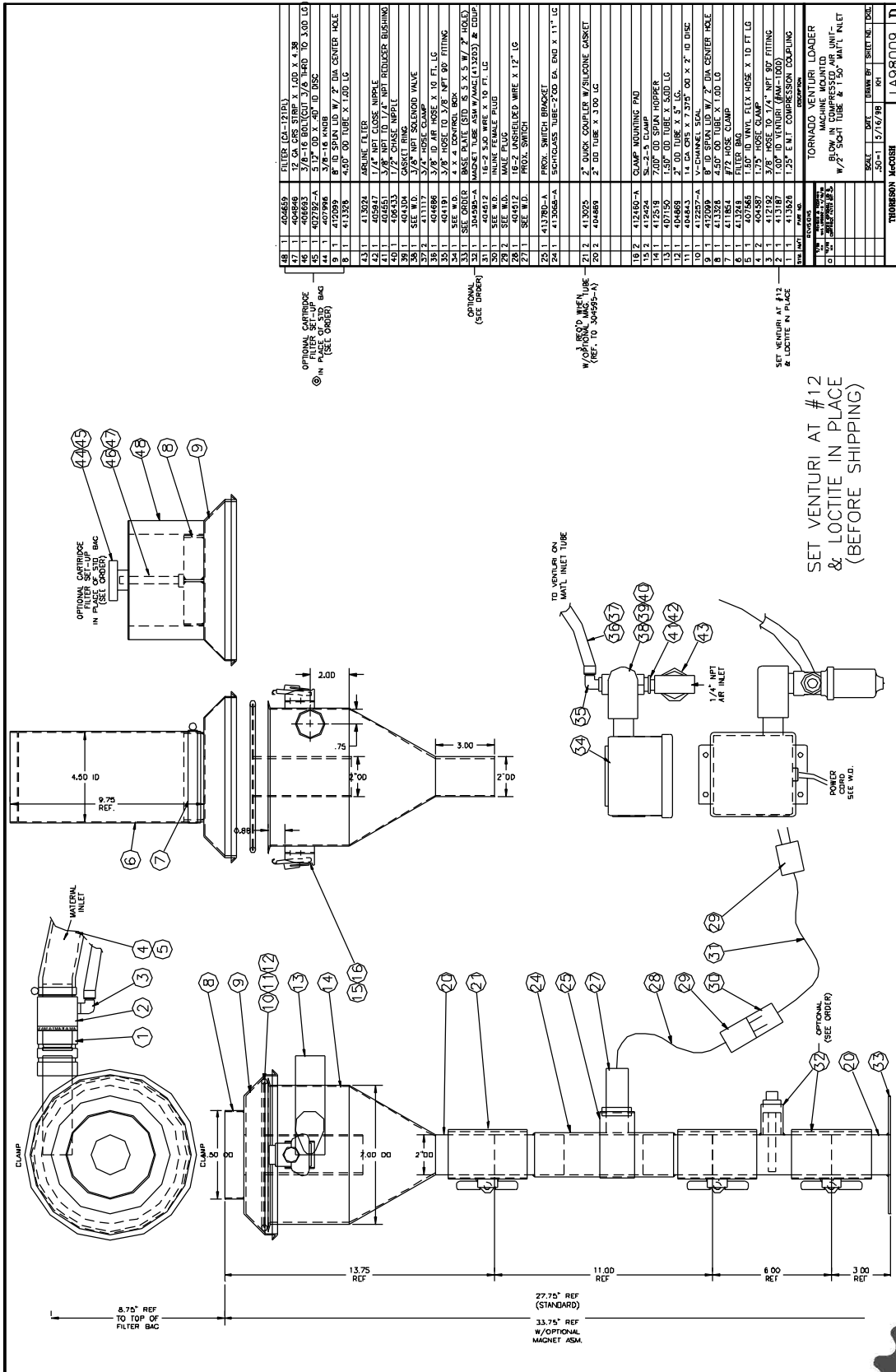
THORESON McCOSH

1885 THUNDERBIRD ST. TROY, MICHIGAN

SCALE	DATE	DR. BY	DRAWING NO.
~	7-5-94	GLK	412997-A



# Thoreson-McCosh Inc.



46	404659	FILTER (24-1218)
47	404946	1/2" O.D. STRIP X 1.00" X .38"
48	404947	1/2" O.D. STRIP X 1.00" X .38"
49	407952-A	5/16" O.D. X .40" I.D. BSC
44	407946	3/8"-16 ANGB
9	417099	8" ID SPAN LID W/ 2" DIA CENTER HOLE
8	413276	4.50" OD TUBE X 1.00" LG
43	413074	AIRLINE FILTER
42	405947	1/2" NPT CLOSE NIPPLE
41	405948	1/2" NPT REDUCER BUSHING
40	408433	1/2" CHASE NIPPLE
39	404304	CASKET RING
38	SEE W.D.	
37	404486	3/8" ID AIR HOSE X 10 FT LG
36	404181	3/8" HOSE ID 3/8" NPT 90° FITTING
35	SEE W.D.	
34	404181	4 X 4 CONTROL BOX
33	SEE W.D.	
32	404486	3/8" ID AIR HOSE X 10 FT LG
31	404486	3/8" HOSE ID 3/8" NPT 90° FITTING
30	404486	3/8" HOSE ID 3/8" NPT 90° FITTING
29	404486	3/8" HOSE ID 3/8" NPT 90° FITTING
28	404486	3/8" HOSE ID 3/8" NPT 90° FITTING
27	404486	3/8" HOSE ID 3/8" NPT 90° FITTING
26	404486	3/8" HOSE ID 3/8" NPT 90° FITTING
25	404486	3/8" HOSE ID 3/8" NPT 90° FITTING
24	404486	3/8" HOSE ID 3/8" NPT 90° FITTING
23	404486	3/8" HOSE ID 3/8" NPT 90° FITTING
22	404486	3/8" HOSE ID 3/8" NPT 90° FITTING
21	404486	3/8" HOSE ID 3/8" NPT 90° FITTING
20	404486	3/8" HOSE ID 3/8" NPT 90° FITTING
19	404486	3/8" HOSE ID 3/8" NPT 90° FITTING
18	404486	3/8" HOSE ID 3/8" NPT 90° FITTING
17	404486	3/8" HOSE ID 3/8" NPT 90° FITTING
16	404486	3/8" HOSE ID 3/8" NPT 90° FITTING
15	404486	3/8" HOSE ID 3/8" NPT 90° FITTING
14	404486	3/8" HOSE ID 3/8" NPT 90° FITTING
13	404486	3/8" HOSE ID 3/8" NPT 90° FITTING
12	404486	3/8" HOSE ID 3/8" NPT 90° FITTING
11	404486	3/8" HOSE ID 3/8" NPT 90° FITTING
10	404486	3/8" HOSE ID 3/8" NPT 90° FITTING
9	404486	3/8" HOSE ID 3/8" NPT 90° FITTING
8	404486	3/8" HOSE ID 3/8" NPT 90° FITTING
7	404486	3/8" HOSE ID 3/8" NPT 90° FITTING
6	404486	3/8" HOSE ID 3/8" NPT 90° FITTING
5	404486	3/8" HOSE ID 3/8" NPT 90° FITTING
4	404486	3/8" HOSE ID 3/8" NPT 90° FITTING
3	404486	3/8" HOSE ID 3/8" NPT 90° FITTING
2	404486	3/8" HOSE ID 3/8" NPT 90° FITTING
1	404486	3/8" HOSE ID 3/8" NPT 90° FITTING
53	404486	3/8" HOSE ID 3/8" NPT 90° FITTING
52	404486	3/8" HOSE ID 3/8" NPT 90° FITTING
51	404486	3/8" HOSE ID 3/8" NPT 90° FITTING
50	404486	3/8" HOSE ID 3/8" NPT 90° FITTING
49	404486	3/8" HOSE ID 3/8" NPT 90° FITTING
48	404486	3/8" HOSE ID 3/8" NPT 90° FITTING
47	404486	3/8" HOSE ID 3/8" NPT 90° FITTING
46	404486	3/8" HOSE ID 3/8" NPT 90° FITTING
45	404486	3/8" HOSE ID 3/8" NPT 90° FITTING
44	404486	3/8" HOSE ID 3/8" NPT 90° FITTING
43	404486	3/8" HOSE ID 3/8" NPT 90° FITTING
42	404486	3/8" HOSE ID 3/8" NPT 90° FITTING
41	404486	3/8" HOSE ID 3/8" NPT 90° FITTING
40	404486	3/8" HOSE ID 3/8" NPT 90° FITTING
39	404486	3/8" HOSE ID 3/8" NPT 90° FITTING
38	404486	3/8" HOSE ID 3/8" NPT 90° FITTING
37	404486	3/8" HOSE ID 3/8" NPT 90° FITTING
36	404486	3/8" HOSE ID 3/8" NPT 90° FITTING
35	404486	3/8" HOSE ID 3/8" NPT 90° FITTING
34	404486	3/8" HOSE ID 3/8" NPT 90° FITTING
33	404486	3/8" HOSE ID 3/8" NPT 90° FITTING
32	404486	3/8" HOSE ID 3/8" NPT 90° FITTING
31	404486	3/8" HOSE ID 3/8" NPT 90° FITTING
30	404486	3/8" HOSE ID 3/8" NPT 90° FITTING
29	404486	3/8" HOSE ID 3/8" NPT 90° FITTING
28	404486	3/8" HOSE ID 3/8" NPT 90° FITTING
27	404486	3/8" HOSE ID 3/8" NPT 90° FITTING
26	404486	3/8" HOSE ID 3/8" NPT 90° FITTING
25	404486	3/8" HOSE ID 3/8" NPT 90° FITTING
24	404486	3/8" HOSE ID 3/8" NPT 90° FITTING
23	404486	3/8" HOSE ID 3/8" NPT 90° FITTING
22	404486	3/8" HOSE ID 3/8" NPT 90° FITTING
21	404486	3/8" HOSE ID 3/8" NPT 90° FITTING
20	404486	3/8" HOSE ID 3/8" NPT 90° FITTING
19	404486	3/8" HOSE ID 3/8" NPT 90° FITTING
18	404486	3/8" HOSE ID 3/8" NPT 90° FITTING
17	404486	3/8" HOSE ID 3/8" NPT 90° FITTING
16	404486	3/8" HOSE ID 3/8" NPT 90° FITTING
15	404486	3/8" HOSE ID 3/8" NPT 90° FITTING
14	404486	3/8" HOSE ID 3/8" NPT 90° FITTING
13	404486	3/8" HOSE ID 3/8" NPT 90° FITTING
12	404486	3/8" HOSE ID 3/8" NPT 90° FITTING
11	404486	3/8" HOSE ID 3/8" NPT 90° FITTING
10	404486	3/8" HOSE ID 3/8" NPT 90° FITTING
9	404486	3/8" HOSE ID 3/8" NPT 90° FITTING
8	404486	3/8" HOSE ID 3/8" NPT 90° FITTING
7	404486	3/8" HOSE ID 3/8" NPT 90° FITTING
6	404486	3/8" HOSE ID 3/8" NPT 90° FITTING
5	404486	3/8" HOSE ID 3/8" NPT 90° FITTING
4	404486	3/8" HOSE ID 3/8" NPT 90° FITTING
3	404486	3/8" HOSE ID 3/8" NPT 90° FITTING
2	404486	3/8" HOSE ID 3/8" NPT 90° FITTING
1	404486	3/8" HOSE ID 3/8" NPT 90° FITTING

THORESON McCosh	DATE	SCALE	REV	DESCRIPTION
	5/16/98	AS SHOWN	1	TORNADO VENTURI LOADER MACHINE MOUNTED BLW MAT'L INLET W/ 2" SOFT TUBE & 1.50" MAT'L INLET
LA98009				

