

CHECK VALVES

PART NUMBER	DESCRIPTION
413851	1.5" 45DEG GUM
301531	2.0" 45DEG GUM
SK77048-B	2.5" 45DEG GUM
405499	3.0" 45DEG GUM
412108	2.0" 90DEG ORANGE HI-TEMP
411690	2.0" 90DEG BLACK
AS200328B	2.0" 90DEG S.S.
414128	2.5" 90DEG BLACK
AS200424B	2.5" 90DEG S.S.
413023	3.0" 90DEG BLACK
AS200425B	3.0" 90DEG S.S.
414148	4.0" 90DEG BLACK
AS200426B	4.0" 90DEG S.S.



45 DEG GUM



90 DEG BLACK



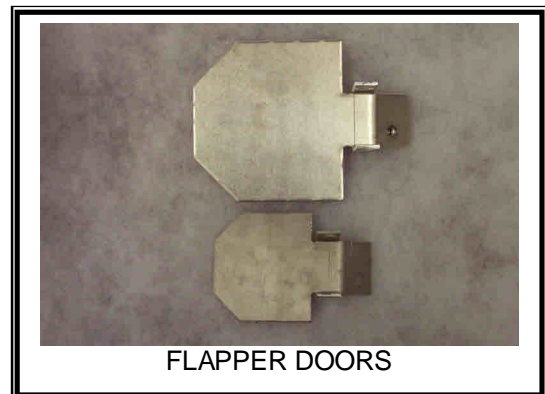
412108



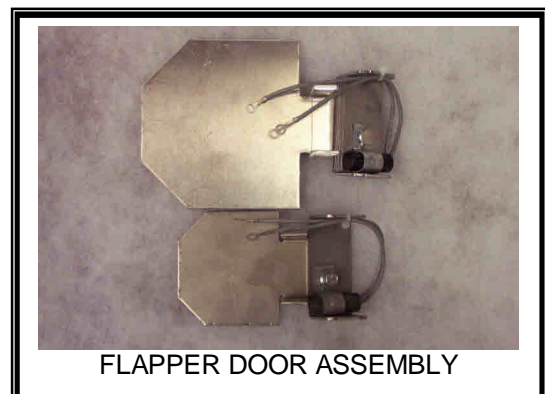
90 DEG W/S.S.

FLAPPER DOORS

PART NUMBER	DESCRIPTION
304288D/N/AL	FLAPPER DOOR ALUM. 10"/15" REC (DOOR ONLY)
304288D/ASM/AL	FLAPPER DOOR ALUM. 10"/15" REC (ASSEMBLY)
304288D/N/SS	FLAPPER DOOR S.S. 10"/15" REC (DOOR ONLY)
304288D/ASM/SS	FLAPPER DOOR S.S. 10"/15" REC (ASSEMBLY)
304302D/S/AL	FLAPPER DOOR ALUM. 7" REC (DOOR ONLY)
304302D/ASM/AL	FLAPPER DOOR ALUM. 7" REC (ASSEMBLY)
412248-C/24	FLAPPER DOOR S.S. ML/MV UNITS



FLAPPER DOORS



FLAPPER DOOR ASSEMBLY

BOOTS

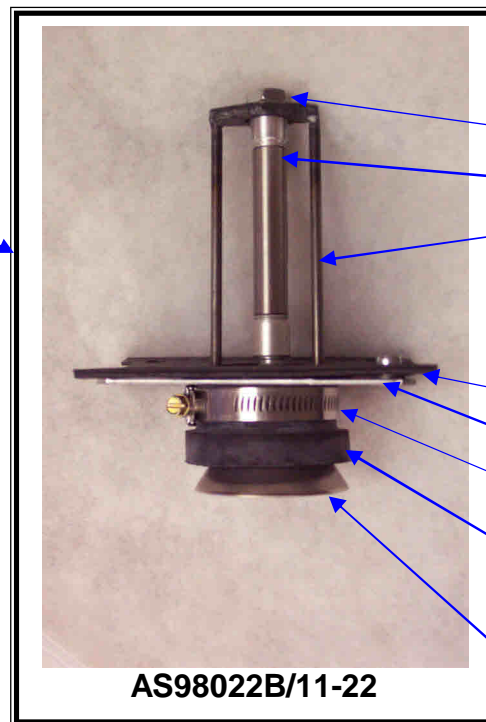
PART NUMBER	DESCRIPTION
402985	BOOT 5" W/2PCS. # 405876 SHUTS
400267	BOOT 6" W/2PCS. # 405877 SHUTS
407371	BOOT 8" W/2PCS. # 405877 SHUTS
405876	COLD SHUT 3/16"
405877	COLD SHUT 1/4"



CONICAL DUMP VALVE ASSEMBLY

FOR ML-1 & 2, VM1-JR LOADERS & MV-1 & 2 RECEIVERS

PART NUMBER	DESCRIPTION
AS98022/13	CONICAL DUMP BRACKET
413924	CYLINDER AIR CONICAL
413079	NUT JAM 7/16-20
413589A	PLATE CONICAL DUMP ASSY
413590	GASKET CONICAL DUMP 2.125" CENTER HOLE
413897	GASKET CONICAL DUMP 2.875" CENTER HOLE
404588	CLAMP 2"
411690	SEAL CONICAL STD BLACK
412108	SEAL CONICAL HI TEMP ORANGE
413155	CONE SPUN S.S.
413772	LOCK NUT NYLON 10-32
404956	NUT HEX 10-32
414196	ELBOW FITTING 1/4" HOSE X 10-32 NPT
AS98022B/11-22	ASSEMBLY AS SHOW BELOW



413079

413924, 414196

AS98022B/13

413590, 413897

413589

404588

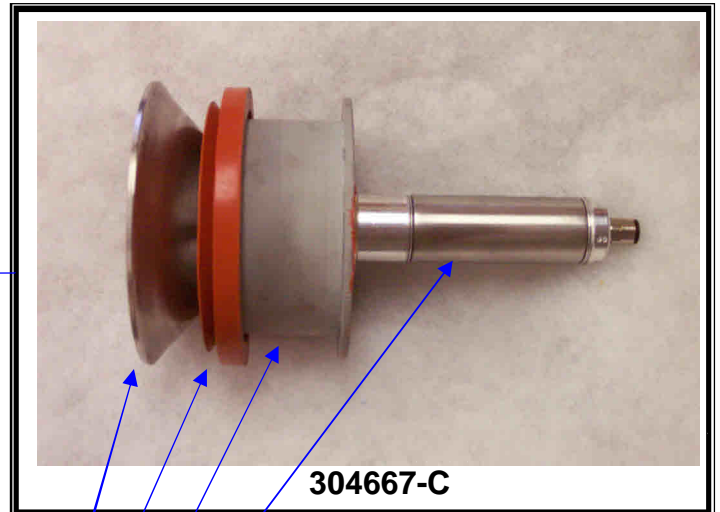
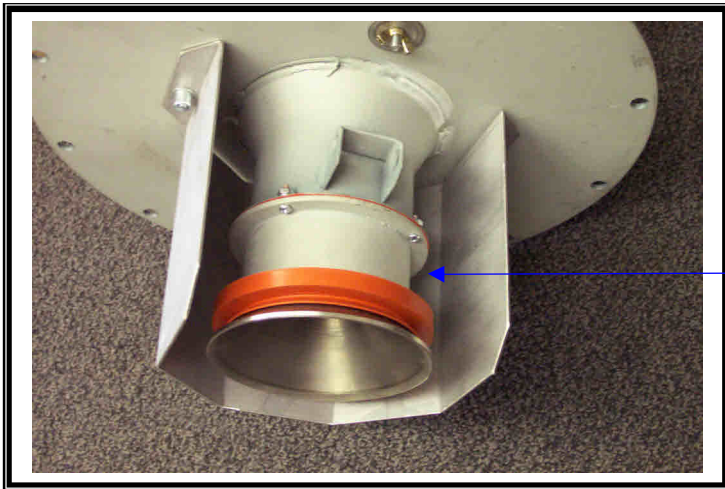
411690, (412108 OPTIONAL)

413155, 413772, 404956

CONICAL DUMP VALVE ASSEMBLY

FOR ML-3 & 4, VM-1 & 2 LOADERS & MV-3 & 4 RECEIVERS

PART NUMBER	DESCRIPTION
413797	CONE CONICAL
404954	NUT HEX 6-32
413091	SEAL FLAPPER DOOR
304667	CONICAL DUMP ASSY
406701	CYLINDER AIR
304667-C	ASSEMBLY AS SHOWN BELOW



413797 & 404954

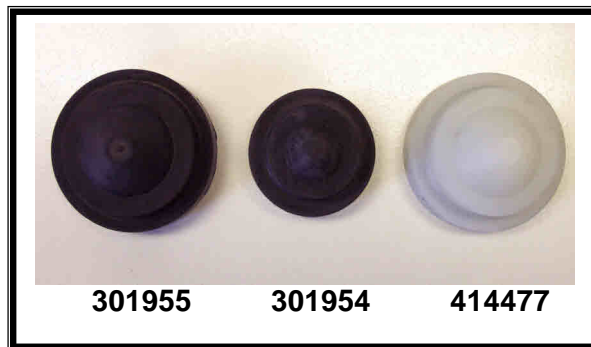
413091

304667

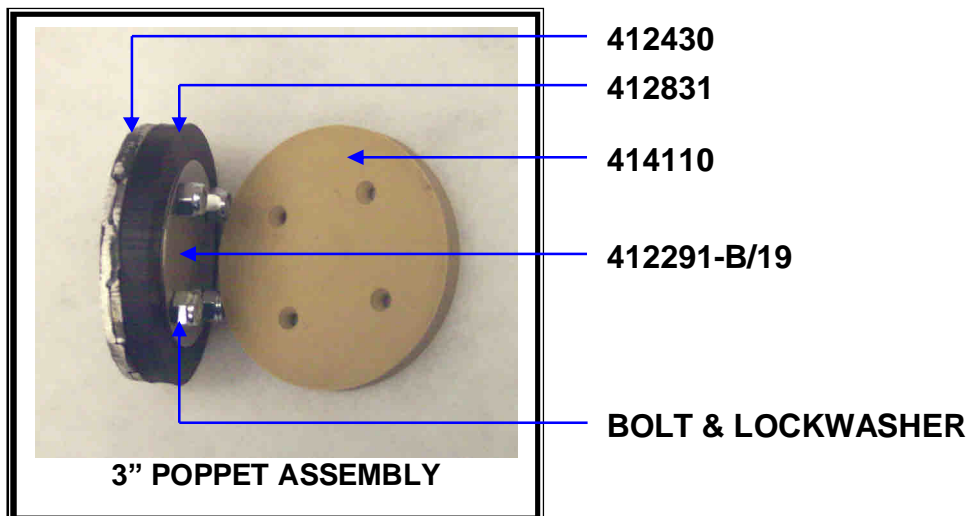
406701

POPPETS

PART NUMBER	DESCRIPTION
301954	POPPET 1 1/2"
301955	POPPET 2"
414477	POPPET 2" SILICON
414194	POPPET HARDENED STL 4"TAPPERED
414193	POPPET HARDENED STL 2"TAPPERED
414147	POPPET S.S. 4"TAPPERED
414134	POPPET S.S. 2"TAPPERED

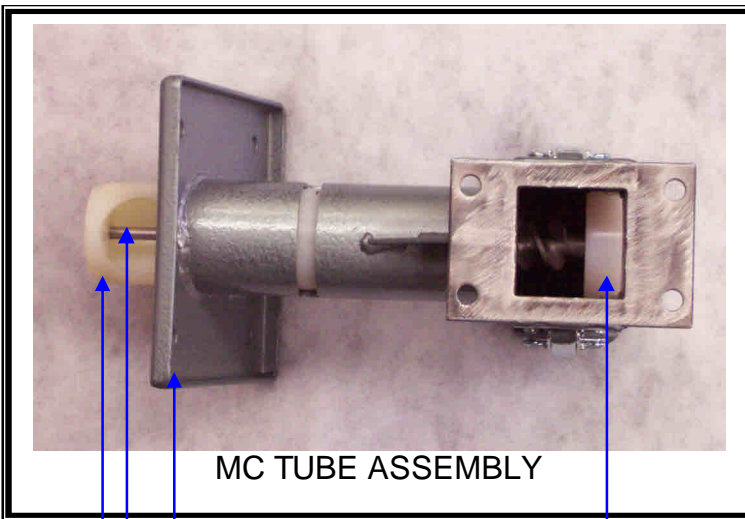


PART NUMBER	DESCRIPTION
414110	3" DISC. SEAL (GUM RUBBER)
412831	3" DISC. SEAL (BLACK)
412430	3" CYLINDER DISC.
412291-B/19	SEAL DISC.
-----	1/4"-20 X 1.00 LG. BOLT & LOCK WASHER



AUGERS & SLEEVES

PART NUMBER	DESCRIPTION
413895	AUGER STD MC-1 DBL FLIGHT
414014	AUGER STD MC-2 DBL FLIGHT
413908	SLEEVE MC-1 USE FOR 150 TONS & SMALLER
413781	SLEEVE MC-1 STD UNIT
413968	SLEEVE MC-2 STD UNIT
304299-C	MC FEED TUBE ASSY.
412247	BEARING ½" SHAFT



MC TUBE ASSEMBLY

MC FEED TUBE

BEARING

AUGER

SLEEVE



MC SLEEVE ASSEMBLY



MC AUGERS STD