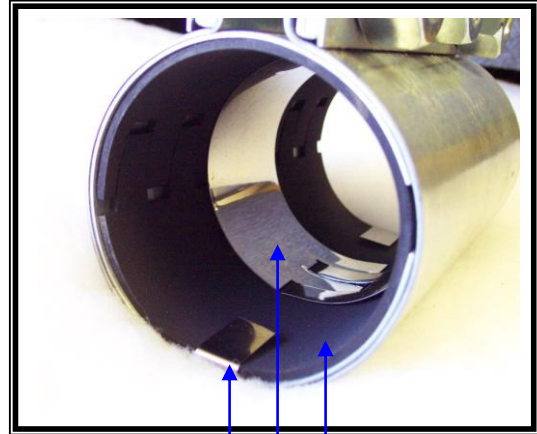
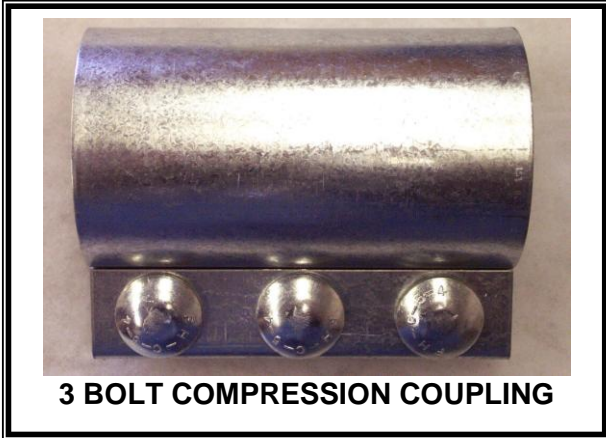


COUPLINGS (compression)



GND STRIP (GS)
 GASKET PROTECTOR (GP)
 GASKET NEOPRENE (GAS)
 INCLUDES GND STRIP (GS)

COUPLING	PART # INCLUDES: GAS, *GP & GS
1.5" 2 BOLT	412914
1.5" 3 BOLT	404602
1.75" 2 BOLT	414523
1.75" 3 BOLT	414524
2.0" 2 BOLT	412915
2.0" 3 BOLT	404603
2.25" 2 BOLT	414525
2.25" 3 BOLT	414526
2.5" 3 BOLT	408004
3.0" 3 BOLT	404601
4.0" 3 BOLT	414507
4.0" 4 BOLT	405840
5.0" 4 BOLT	414508
6.0" 4 BOLT	414509

COUPLING	(GAS) NEOPRENE	(GP)
1.5" 2 BOLT	414512	----
1.5" 3 BOLT	405910	414527
1.75" 2 BOLT	414519	----
1.75" 3 BOLT	414520	414528
2.0" 2 BOLT	405911	----
2.0" 3 BOLT	407999	414529
2.25" 2 BOLT	414521	----
2.25" 3 BOLT	414522	414530
2.5" 3 BOLT	414513	414531
3.0" 3 BOLT	414514	414532
4.0" 3 BOLT	414515	414533
4.0" 4 BOLT	414516	414534
5.0" 4 BOLT	414517	414535
6.0" 4 BOLT	414518	414536

* GASKET PROTECTOR (GP) NOT INCLUDED
 W/2BOLT COUPLINGS

COUPLINGS (quick coupler)

DESCRIPTION	PART #
1-1/2" ADAPT MALE TO HOSE ALUM	405775
2" ADAPT MALE TO HOSE ALUM	405776
2-1/2" ADAPT MALE TO HOSE ALUM	-----
3" ADAPT MALE TO HOSE ALUM	405777
4" ADAPT MALE TO HOSE ALUM	405779
5" ADAPT MALE TO HOSE ALUM	-----
6" ADAPT MALE TO HOSE ALUM	-----



DESCRIPTION	PART #
1-1/2" ADAPT FEM. TO HOSE ALUM.	405844
2" ADAPT FEM TO HOSE ALUM.	404613
2-1/2" ADAPT FEM. TO HOSE ALUM.	407004
3" ADAPT FEM TO HOSE ALUM.	404608
4" ADAPT FEM. TO HOSE ALUM.	414537
5" ADAPT FEM. TO HOSE ALUM.	414538
6" ADAPT FEM. TO HOSE ALUM.	414539



SIZE	GASKET (BUNA MAT'L)
1-1/2"	414540
2"	414541
2-1.2"	414542
3"	414543
4"	414544
5"	414545
6"	414546

DESCRIPTION	PART #
1-1/2" DUST CAP ALUM.	404612
2" DUST CAP ALUM.	404611
2-1/2" DUST CAP ALUM.	407147
3" DUST CAP ALUM.	404570
4" DUST CAP ALUM.	405816
5" DUST CAP ALUM.	407148
6" DUST CAP ALUM.	414549



COUPLINGS (quick coupler)

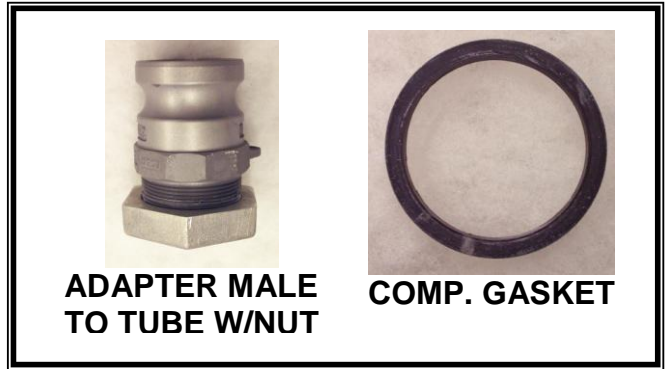
DESCRIPTION	PART #
1-1/2" DUST PLUG ALUM.	404738
2" DUST PLUG ALUM.	404575
2-1/2" DUST PLUG ALUM.	414550
3" DUST PLUG ALUM.	404437
4" DUST PLUG ALUM.	414551
5" DUST PLUG ALUM.	414552
6" DUST PLUG ALUM.	414553



SIZE	CHAIN BRASS
6" LONG	405818
12" LONG	407057



DESCRIPTION	PART #
1-1/2" ADAP MALE TO TUBE W/NUT	405849
2" ADAP MALE TO TUBE W/NUT	404626
2-1/2" ADAP MALE TO TUBE W/NUT	407005
3" ADAP MALE TO TUBE W/NUT	404614
4" ADAP MALE TO TUBE W/NUT	405778



SIZE	COMP. NUT	GASKET
1-1/2"	414554	414558
2"	414555	414559
2-1/2"	414556	414560
3"	414557	414561

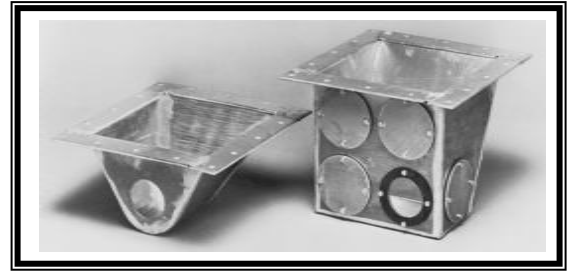
DESCRIPTION	PART #
1-1/2" ADAP QUICKIE MALE TO TUBE 16GA	414450
2" ADAP QUICKIE MALE TO TUBE 16GA	414451
2-1/2" ADAP QUICKIE MALE TO TUBE 16GA	414452
3" ADAP QUICKIE MALE TO TUBE 14GA	414453
4" ADAP QUICKIE MALE TO TUBE 11GA	414454



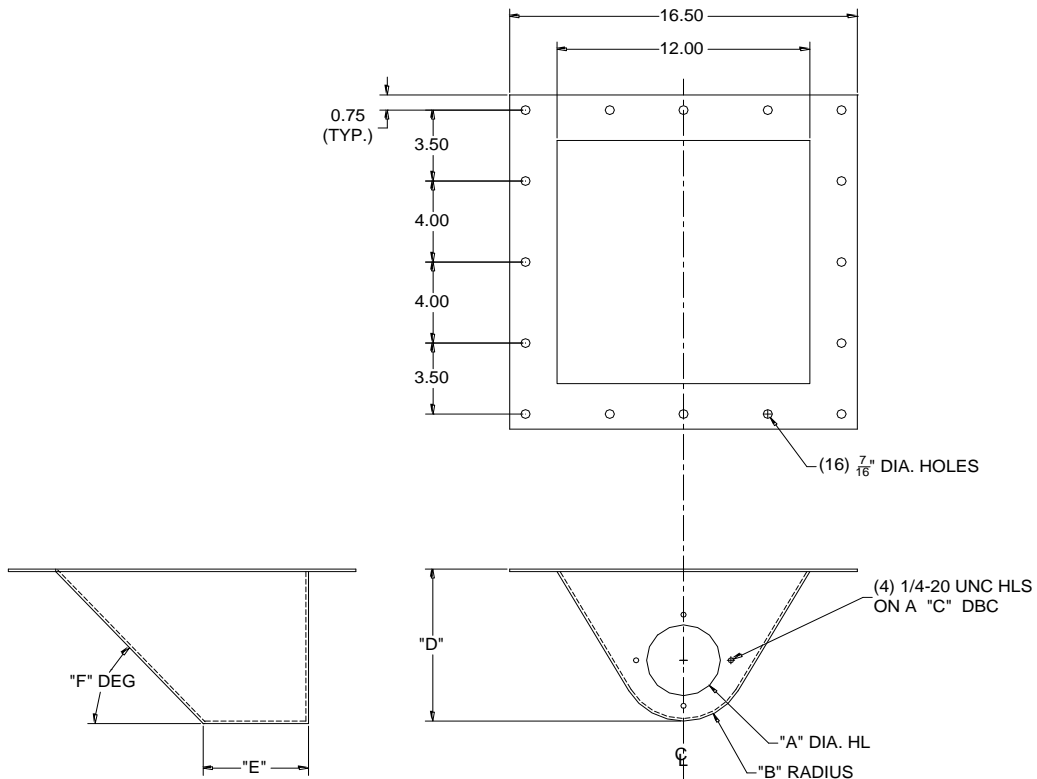
Single & Multiple Probe Boxes

Single Pick-Up Probe Boxes

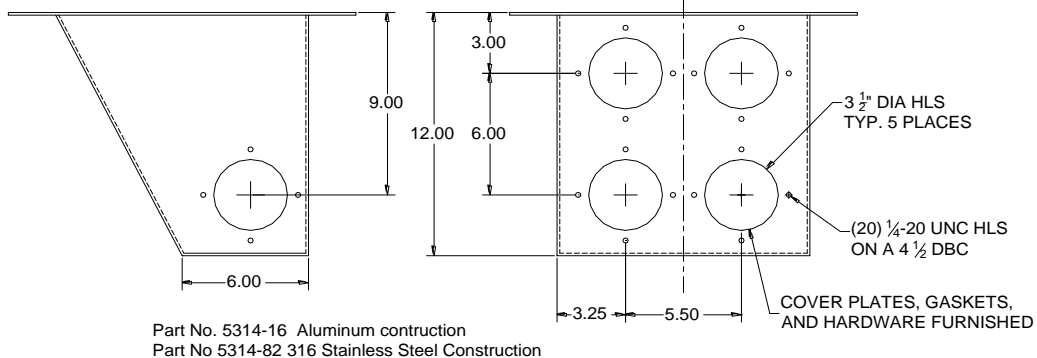
Probe size	Part No.		A	B	C	D	E	F
	Aluminum	316 S.S.						
1 ½, 2, 2 ½, 3	5314-48	5314-83	3 ½"	3"	4 ½"	7 ½"	5"	45 D
4	5314-58	---	5 ¼"	4"	6 ½"	8 ¾"	7 1/4"	60 D



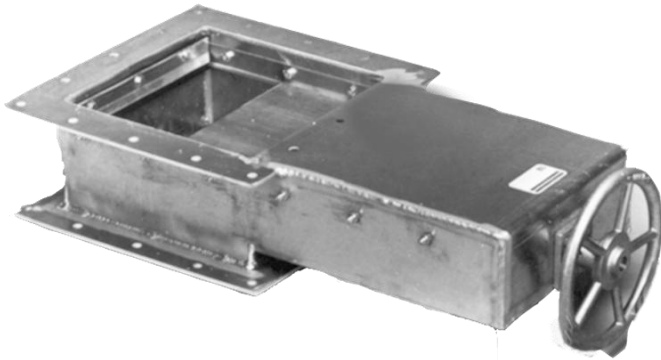
Single Pick-Up Probe Boxes



Multiple Pick-Up Probe Boxes



Aluminum Slide Gate



Manual Hand Wheel Shut-off

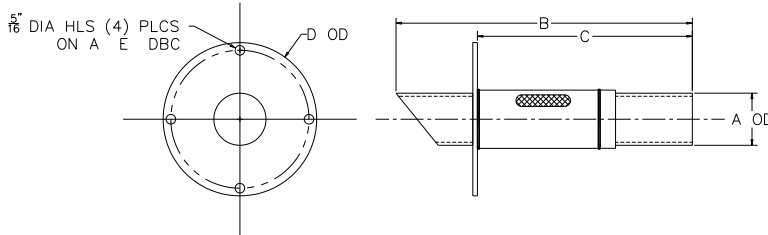
The Aluminum Manual Slide Gate is a cost effective manual shut-off gate for pelletized plastic material. It is commonly used at the base of a silo, tank, or hopper.

A manual hand-wheel is used to actuate the slide gate mechanism. When open, it provides full unobstructed flow of material. It can be closed, to shut off material flow, even if the vessel is full of material. For example, it is often used when maintenance is required at the silo or hopper's material take-away device.

- Simple device, normally requiring no maintenance.
- Actuated by turning the screw with its hand-wheel.
- Matches the most common 304.8 mm [12in] square opening.

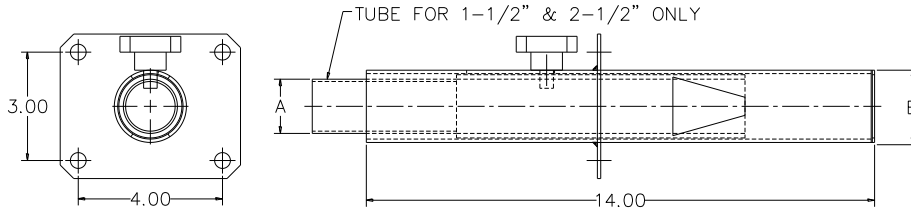
TAKE OFF's 5000 series

Size Tubing	Part No. 5000 series		A	B	C	D	E
	Aluminum	316 S.S.					
1-1/2	5314-40	--	1-1/2	11-3/8	7	5-1/2	4-1/2
2	5314-13	5314-86	2	12-1/2	7-7/8	5-1/2	4-1/2
2-1/2	5314-68	--	2-1/2	13-1/4	7-7/8	5-1/2	4-1/2
3	5314-47	5314-88	3	14	8-3/4	5-1/2	4-1/2
4	5314-57		4	17	9-3/4	7-1/2	6-1/2



TAKE OFF's W/SLIDE TUBES

SIZE	A	B	PART NO
1-1/2	1-1/2	2	AS97011-C
2	--	2	AS97012-C
2-1/2	2-1/2	3	AS99023-C
3	--	3	AS99024-C



PICKUP TUBES

DESCRIPTION	PART #
1-1/2" O.D. S.S.	300466
2" O.D. S.S.	300482
2-1/2" O.D. S.S.	303094-C
3" O.D. S.S.	300952-C
KNOB FOR PICKUP TUBES (W/NYLOCK)	407996
KNOB FOR DRYERS	414820

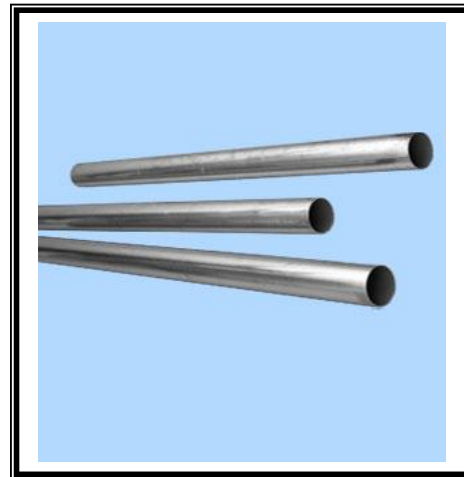


STRAIGHTS

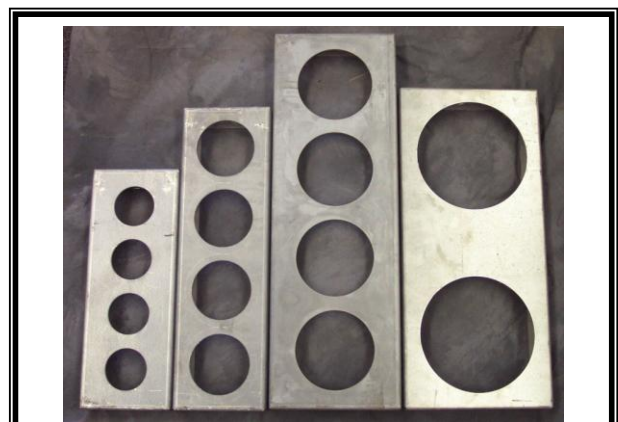
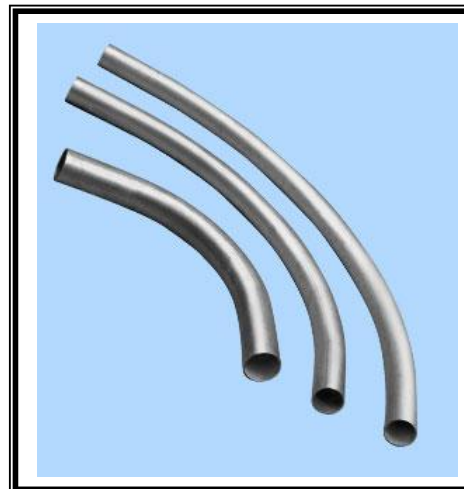
DESCRIPTION	PART #
1 1/2" 16GA ALUM.	406679
1 1/2" 16GA S.S.	404864
2.0" 16GA ALUM.	406680
2.0" 16GA S.S.	406671
2.5" 16GA ALUM.	407149
2.5" 16GA S.S.	414192
3.0" 14GA ALUM.	404880
3.0" 14GA S.S.	414564
4.0" 11GA ALUM.	406682
4.0" 11GA S.S.	414565
5.0" 11GA ALUM.	414566
5.0" 11GA S.S.	414567
6.0" 11GA ALUM.	414568
6.0" 11GA S.S.	414569

BENDS

DESCRIPTION	PART #
1 1/2" 16GA ALUM. 45DEG. 6" CLR	414562
1 1/2" 16GA ALUM. 90DEG. 6" CLR	414570
1 1/2" 16GA S.S. 45DEG. 6" CLR	414571
1 1/2" 16GA S.S. 90DEG. 6" CLR	414572
1 1/2" 16GA ALUM. 45DEG. 12" CLR	414573
1 1/2" 16GA ALUM. 90DEG. 12" CLR	414574
1 1/2" 16GA S.S. 45DEG. 12" CLR	414575
1 1/2" 16GA S.S. 90DEG. 12" CLR	414576
1 1/2" 16GA CER. 45DEG. 12" CLR	415611
1 1/2" 16GA CER. 90DEG. 12" CLR	415575
1 1/2" 16GA ALUM. 45DEG. 18" CLR	414577
1 1/2" 16GA ALUM. 90DEG. 18" CLR	414578
1 1/2" 16GA S.S. 45DEG. 18" CLR	414579
1 1/2" 16GA S.S. 90DEG. 18" CLR	414580
1 1/2" 16GA ALUM. 45DEG. 24" CLR	410462
1 1/2" 16GA ALUM. 90DEG. 24" CLR	404994
1 1/2" 16GA S.S. 45DEG. 24" CLR	414581
1 1/2" 16GA S.S. 90DEG. 24" CLR	404993
1 1/2" 16GA CER 45DEG. 24" CLR	414066
1 1/2" 16GA CER 90DEG. 24" CLR	413890
1 1/2" 16GA ALUM. 45DEG. 30" CLR	414582
1 1/2" 16GA ALUM. 90DEG. 30" CLR	414583
1 1/2" 16GA S.S. 45DEG. 30" CLR	414584
1 1/2" 16GA S.S.. 90DEG. 30" CLR	414585
1 1/2" 16GA ALUM. 45DEG. 36" CLR	414586
1 1/2" 16GA ALUM. 90DEG. 36" CLR	414587
1 1/2" 16GA S.S. 45DEG. 36" CLR	414588
1 1/2" 16GA S.S.. 90DEG. 36" CLR	414589



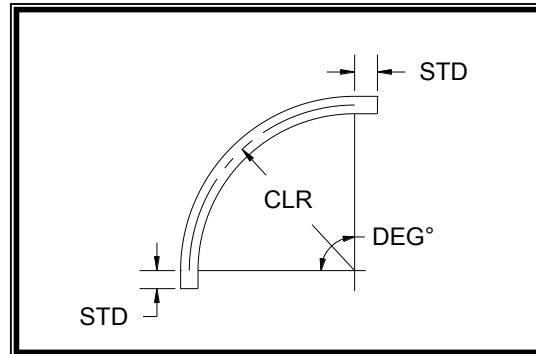
STRAIGHTS & BENDS
 AVAILABLE IN ALUMINUM,
 STAINLESS & CERAMIC LINED
 IN A VARIETY OF WALL
 THICKNESSES AND SIZES.
 CALL FOR COMPLETE LIST.



TUBING HANGERS ARE AVAILABLE IN A
 VARIETY OF HOLE PATTERNS AND SIZES.

Tube Bending Capabilities

Pipe and tube bends of up to 180 degrees are readily available in aluminum, stainless, carbon steel and galvanized in the sizes listed below. Other centerline radii are available but not shown. Special shapes, "U" bends, offsets, and bifurcated bends available upon request.



TUBE SIZE	PIPE SIZE	OUTSIDE DIAMETER		COMMON CENTERLINE RADI (CLR) INCHES	STD. TANGENT (ST)
		INCHES	MILLIMETERS		
1"		1.0	25.4	3, 4, 6, 12	4"
	1"	1.315	33.4	3, 5	4"
1-1/4"		1.25	31.8	3, 7.25	4"
	1-1/4"	1.660	42.2	3.5, 4, 6.25	4"
1-1/2"		1.5	38.1	2.5, 6, 7.5, 9, 12, 15, 18, 24, 30, 36	4"
1-3/4"		1.75	44.5	2.5, 8, 9, 12, 15, 24, 30, 36, 48	4"
	1-1/2"	1.9	48.3	5, 6, 7.5, 9, 10, 12, 18, 24, 30, 36, 48	4"
2"		2.0	50.8	2.5, 5, 6, 8, 8.5, 9, 10, 12, 15, 18, 24, 30, 36, 48	4"
2-1/8"		2.125	54.0	5, 12, 24, 30, 36	4-1/4"
2-1/4"		2.25	57.2	3, 9, 12, 15, 17, 24, 30, 36	4-1/2"
	2"	2.375	60.2	6, 7.5, 10, 12, 15, 17, 24, 30, 36, 48	4"
2-1/2"		2.5	63.5	4, 6, 9, 12, 15, 17, 24, 30, 36, 48	5"
2-3/4"		2.75	69.9	17, 30, 36, 48	5-1/2"
	2-1/2"	2.875	73.0	12, 12.5, 15, 17, 24, 30, 36, 60	5"
3"		3.0	76.2	4.5, 7.5, 9, 10, 12, 15, 18, 24, 30, 36, 48, 60	6"
3-1/4"		3.25	82.6	17, 30, 36	6-1/2"
3-1/2"	3"	3.5	88.9	3.5, 6, 8.75, 12, 15, 16, 18, 24, 30, 36, 48	7" (6" - pipe)
3-3/4"		3.75	95.3	17, 24, 32, 36	7-1/2"
4"	3-1/2"	4.0	101.6	6, 10, 12, 16, 18, 20, 24, 30, 32, 36, 48, 60	8" (7" - pipe)
4-1/4"		4.25	107.9	16, 30, 36, 48, 60	8-1/2"
4-1/2"	4"	4.5	114.3	6, 9, 12, 16, 18, 20, 24, 30, 32, 36, 48, 60	9" (8" - pipe)
4-3/4"		4.75	120.7	36	9-1/2"
5"		5.0	127.0	7.5, 12.5, 17, 22, 24, 30, 36, 42, 48, 60	10"
	5"	5.563	141.3	15, 20, 24, 30, 36, 42, 48, 60, 72	10"
5-1/2"		5.5	139.7	30, 36	11"
6"		6.0	152.4	9, 15, 18, 24, 30, 36, 42, 48, 60, 72	12"
	6"	6.625	168.2	18, 24, 30, 36, 42, 48, 60, 72	12"
8"		8.0	203.2	12, 20, 32, 48, 60, 72	16"
	8"	8.625	219.1	24, 32, 40, 48, 60, 72	16"
	10"	10.75	273.1	40, 50	20"

Capabilities subject to change without notice.

THORESON **McCOSH, INC.**

1885 Thunderbird Street, Troy, Michigan 48084

Tel: (248) 362-0960

FAX: (248) 362-5270

Email: Parts@Thoresonmccosh.com

WEB: <http://www.thoresonmccosh.com>

VER.1/17/20

BENDS cont.

DESCRIPTION	PART #
2" 16GA ALUM. 45DEG. 6" CLR	414591
2" 16GA ALUM. 90DEG. 6" CLR	413992
2" 16GA S.S. 45DEG. 6" CLR	414592
2" 16GA S.S. 90DEG. 6" CLR	414593
2" 16GA CER. 45DEG. 6" CLR	415159
2" 16GA CER. 90DEG. 6" CLR	415672
2" 16GA ALUM. 45DEG. 12" CLR	414594
2" 16GA ALUM. 90DEG. 12" CLR	414595
2" 16GA S.S. 45DEG. 12" CLR	414596
2" 16GA S.S. 90DEG. 12" CLR	414597
2" 16GA CER. 45DEG. 12" CLR	414903
2" 16GA CER. 90DEG. 12" CLR	414877
2" 16GA ALUM. 45DEG. 18" CLR	414598
2" 16GA ALUM. 90DEG. 18" CLR	414599
2" 16GA S.S. 45DEG. 18" CLR	414600
2" 16GA S.S. 90DEG. 18" CLR	414601
2" 16GA CER. 45DEG. 18" CLR	415673
2" 16GA CER. 90DEG. 18" CLR	415295
2" 16GA ALUM. 45DEG. 24" CLR	404013
2" 16GA ALUM. 90DEG. 24" CLR	405162
2" 16GA S.S. 45DEG. 24" CLR	406030
2" 16GA S.S. 90DEG. 24" CLR	406029
2" 16GA CER. 45DEG. 24" CLR	414067
2" 16GA CER. 90DEG. 24" CLR	413889
2" 16GA ALUM. 45DEG. 30" CLR	414604
2" 16GA ALUM. 90DEG. 30" CLR	414605
2" 16GA S.S. 45DEG. 30" CLR	414606
2" 16GA S.S. 90DEG. 30" CLR	414607
2" 16GA CER. 45DEG. 30" CLR	415674
2" 16GA CER. 90DEG. 30" CLR	415416
2" 16GA ALUM. 45DEG. 36" CLR	414608
2" 16GA ALUM. 90DEG. 36" CLR	414609
2" 16GA S.S. 45DEG. 36" CLR	414610
2" 16GA S.S. 90DEG. 36" CLR	414611
2" 16GA CER. 45DEG. 36" CLR	415444
2" 16GA CER. 90DEG. 36" CLR	415443
2" 16GA ALUM. 45DEG. 48" CLR	414612
2" 16GA ALUM. 90DEG. 48" CLR	414613
2" 16GA S.S. 45DEG. 48" CLR	414614
2" 16GA S.S. 90DEG. 48" CLR	414615
2" 16GA CER. 45DEG. 48" CLR	414159
2" 16GA CER. 90DEG. 48" CLR	414158

DESCRIPTION	PART #
2 1/2" 16GA ALUM. 45DEG. 6" CLR	414616
2 1/2" 16GA ALUM. 90DEG. 6" CLR	414617
2 1/2" 16GA S.S. 45DEG. 6" CLR	414618
2 1/2" 16GA S.S. 90DEG. 6" CLR	414619
2 1/2" 16GA CER. 45DEG. 6" CLR	415675
2 1/2" 16GA CER. 90DEG. 6" CLR	415676
2 1/2" 16GA ALUM. 45DEG. 12" CLR	414620
2 1/2" 16GA ALUM. 90DEG. 12" CLR	414621
2 1/2" 16GA S.S. 45DEG. 12" CLR	414622
2 1/2" 16GA S.S. 90DEG. 12" CLR	414623
2 1/2" 16GA CER. 45DEG. 12" CLR	415175
2 1/2" 16GA CER. 90DEG. 12" CLR	415172
2 1/2" 16GA ALUM. 45DEG. 24" CLR	414624
2 1/2" 16GA ALUM. 90DEG. 24" CLR	414625
2 1/2" 16GA S.S. 45DEG. 24" CLR	405035
2 1/2" 16GA S.S. 90DEG. 24" CLR	405034
2 1/2" 16GA CER. 45DEG. 24" CLR	414068
2 1/2" 16GA CER. 90DEG. 24" CLR	405033
2 1/2" 16GA ALUM. 45DEG. 30" CLR	414628
2 1/2" 16GA ALUM. 90DEG. 30" CLR	414629
2 1/2" 16GA S.S. 45DEG. 30" CLR	414630
2 1/2" 16GA S.S. 90DEG. 30" CLR	414631
2 1/2" 16GA CER. 45DEG. 30" CLR	415677
2 1/2" 16GA CER. 90DEG. 30" CLR	415355
2 1/2" 16GA ALUM. 45DEG. 36" CLR	407146
2 1/2" 16GA ALUM. 90DEG. 36" CLR	407145
2 1/2" 16GA S.S. 45DEG. 36" CLR	406038
2 1/2" 16GA S.S. 90DEG. 36" CLR	406033
2 1/2" 16GA CER. 45DEG. 36" CLR	414069
2 1/2" 16GA CER. 90DEG. 36" CLR	413888
2 1/2" 16GA ALUM. 45DEG. 48" CLR	414634
2 1/2" 16GA ALUM. 90DEG. 48" CLR	414635
2 1/2" 16GA S.S. 45DEG. 48" CLR	406041
2 1/2" 16GA S.S. 90DEG. 48" CLR	414637
2 1/2" 16GA CER. 45DEG. 48" CLR	415678
2 1/2" 16GA CER. 90DEG. 48" CLR	415679

BENDS cont.

DESCRIPTION	PART #
3" 14GA ALUM. 45DEG. 12" CLR	414638
3" 14GA ALUM. 90DEG. 12" CLR	414639
3" 14GA S.S. 45DEG. 12" CLR	414640
3" 14GA S.S. 90DEG. 12" CLR	414641
3" 14GA CER. 45DEG. 12" CLR	415287
3" 14GA CER. 90DEG. 12" CLR	415288
3" 14GA ALUM. 45DEG. 18" CLR	414642
3" 14GA ALUM. 90DEG. 18" CLR	414643
3" 14GA S.S. 45DEG. 18" CLR	414644
3" 14GA S.S. 90DEG. 18" CLR	414645
3" 14GA CER. 45DEG. 18" CLR	415690
3" 14GA CER. 90DEG. 18" CLR	415691
3" 14GA ALUM. 45DEG. 24" CLR	414646
3" 14GA ALUM. 90DEG. 24" CLR	414647
3" 14GA S.S. 45DEG. 24" CLR	414648
3" 14GA S.S. 90DEG. 24" CLR	414649
3" 14GA CER. 45DEG. 24" CLR	415099
3" 14GA CER. 90DEG. 24" CLR	415100
3" 14GA ALUM. 45DEG. 30" CLR	414650
3" 14GA ALUM. 90DEG. 30" CLR	414651
3" 14GA S.S. 45DEG. 30" CLR	406032
3" 14GA S.S. 90DEG. 30" CLR	406031
3" 14GA CER. 45DEG. 30" CLR	415692
3" 14GA CER. 90DEG. 30" CLR	415693
3" 14GA ALUM. 45DEG. 36" CLR	407540
3" 14GA ALUM. 90DEG. 36" CLR	403950
3" 14GA S.S. 45DEG. 36" CLR	405037
3" 14GA S.S. 90DEG. 36" CLR	405036
3" 14GA CER. 45DEG. 36" CLR	415694
3" 14GA CER. 90DEG. 36" CLR	413887
3" 14GA ALUM. 45DEG. 48" CLR	414656
3" 14GA ALUM. 90DEG. 48" CLR	414657
3" 14GA S.S. 45DEG. 48" CLR	414658
3" 14GA S.S. 90DEG. 48" CLR	414659
3" 14GA CER. 45DEG. 48" CLR	415695
3" 14GA CER. 90DEG. 48" CLR	415696
3" 14GA ALUM. 45DEG. 60" CLR	414660
3" 14GA ALUM. 90DEG. 60" CLR	414661
3" 14GA S.S. 45DEG. 60" CLR	414662
3" 14GA S.S. 90DEG. 60" CLR	414663
3" 14GA CER. 45DEG. 60" CLR	415697
3" 14GA CER. 90DEG. 60" CLR	415698

DESCRIPTION	PART #
4" 11GA ALUM. 45DEG. 12" CLR	414664
4" 11GA ALUM. 90DEG. 12" CLR	414665
4" 11GA S.S. 45DEG. 12" CLR	414666
4" 11GA S.S. 90DEG. 12" CLR	414667
4" 11GA CER. 45DEG. 12" CLR	415680
4" 11GA CER. 90DEG. 12" CLR	415681
4" 11GA ALUM. 45DEG. 18" CLR	414668
4" 11GA ALUM. 90DEG. 18" CLR	414669
4" 11GA S.S. 45DEG. 18" CLR	414670
4" 11GA S.S. 90DEG. 18" CLR	414671
4" 11GA CER. 45DEG. 18" CLR	415682
4" 11GA CER. 90DEG. 18" CLR	415683
4" 11GA ALUM. 45DEG. 24" CLR	414672
4" 11GA ALUM. 90DEG. 24" CLR	414673
4" 11GA S.S. 45DEG. 24" CLR	414674
4" 11GA S.S. 90DEG. 24" CLR	414675
4" 11GA CER. 45DEG. 24" CLR	415684
4" 11GA CER. 90DEG. 24" CLR	415292
4" 11GA ALUM. 45DEG. 30" CLR	414676
4" 11GA ALUM. 90DEG. 30" CLR	414677
4" 11GA S.S. 45DEG. 30" CLR	414678
4" 11GA S.S. 90DEG. 30" CLR	414679
4" 11GA CER. 45DEG. 30" CLR	415685
4" 11GA CER. 90DEG. 30" CLR	415501
4" 11GA ALUM. 45DEG. 36" CLR	406034
4" 11GA ALUM. 90DEG. 36" CLR	406035
4" 11GA S.S. 45DEG. 36" CLR	414680
4" 11GA S.S. 90DEG. 36" CLR	405042
4" 11GA CER. 45DEG. 36" CLR	414071
4" 11GA CER. 90DEG. 36" CLR	413886
4" 11GA ALUM. 45DEG. 48" CLR	414682
4" 11GA ALUM. 90DEG. 48" CLR	414683
4" 11GA S.S. 45DEG. 48" CLR	414684
4" 11GA S.S. 90DEG. 48" CLR	414685
4" 11GA CER. 45DEG. 48" CLR	415686
4" 11GA CER. 90DEG. 48" CLR	415020
4" 11GA ALUM. 45DEG. 60" CLR	414686
4" 11GA ALUM. 90DEG. 60" CLR	414687
4" 11GA S.S. 45DEG. 60" CLR	414688
4" 11GA S.S. 90DEG. 60" CLR	414689
4" 11GA CER. 45DEG. 60" CLR	415688
4" 11GA CER. 90DEG. 60" CLR	415689

BENDS cont.

DESCRIPTION	PART #
5" 11GA ALUM. 45DEG. 24" CLR	414690
5" 11GA ALUM. 90DEG. 24" CLR	414691
5" 11GA S.S. 45DEG. 24" CLR	414692
5" 11GA S.S. 90DEG. 24" CLR	414693
5" 11GA CER. 45DEG. 24" CLR	415699
5" 11GA CER. 90DEG. 24" CLR	415700
5" 11GA ALUM. 45DEG. 30" CLR	414694
5" 11GA ALUM. 90DEG. 30" CLR	414695
5" 11GA S.S. 45DEG. 30" CLR	414696
5" 11GA S.S. 90DEG. 30" CLR	414697
5" 11GA CER. 45DEG. 30" CLR	415701
5" 11GA CER. 90DEG. 30" CLR	415702
5" 11GA ALUM. 45DEG. 36" CLR	414698
5" 11GA ALUM. 90DEG. 36" CLR	403656
5" 11GA S.S. 45DEG. 36" CLR	414699
5" 11GA S.S. 90DEG. 36" CLR	414700
5" 11GA CER. 45DEG. 36" CLR	415703
5" 11GA CER. 90DEG. 36" CLR	415704
5" 11GA ALUM. 45DEG. 42" CLR	414701
5" 11GA ALUM. 90DEG. 42" CLR	414702
5" 11GA S.S. 45DEG. 42" CLR	414703
5" 11GA S.S.. 90DEG. 42" CLR	414704
5" 11GA CER. 45DEG. 42" CLR	415705
5" 11GA CER. 90DEG. 42" CLR	415706
5" 11GA ALUM. 45DEG. 48" CLR	414705
5" 11GA ALUM. 90DEG. 48" CLR	414706
5" 11GA S.S. 45DEG. 48" CLR	414707
5" 11GA S.S.. 90DEG. 48" CLR	414708
5" 11GA CER. 45DEG. 48" CLR	415707
5" 11GA CER. 90DEG. 48" CLR	415708
5" 11GA ALUM. 45DEG. 60" CLR	414709
5" 11GA ALUM. 90DEG. 60" CLR	414710
5" 11GA S.S. 45DEG. 60" CLR	414711
5" 11GA S.S.. 90DEG. 60" CLR	414712
5" 11GA CER. 45DEG. 60" CLR	415709
5" 11GA CER. 90DEG. 60" CLR	415710

DESCRIPTION	PART #
6" 11GA ALUM. 45DEG. 24" CLR	414713
6" 11GA ALUM. 90DEG. 24" CLR	414714
6" 11GA S.S. 45DEG. 24" CLR	414715
6" 11GA S.S. 90DEG. 24" CLR	414716
6" 11GA CER. 45DEG. 24" CLR	415711
6" 11GA CER. 90DEG. 24" CLR	415712
6" 11GA ALUM. 45DEG. 30" CLR	414717
6" 11GA ALUM. 90DEG. 30" CLR	414718
6" 11GA S.S. 45DEG. 30" CLR	414719
6" 11GA S.S. 90DEG. 30" CLR	414720
6" 11GA CER. 45DEG. 30" CLR	415713
6" 11GA CER. 90DEG. 30" CLR	415714
6" 11GA ALUM. 45DEG. 36" CLR	414721
6" 11GA ALUM. 90DEG. 36" CLR	414722
6" 11GA S.S. 45DEG. 36" CLR	414723
6" 11GA S.S. 90DEG. 36" CLR	414724
6" 11GA CER. 45DEG. 36" CLR	415715
6" 11GA CER. 90DEG. 36" CLR	415716
6" 11GA ALUM. 45DEG. 48" CLR	414729
6" 11GA ALUM. 90DEG. 48" CLR	414730
6" 11GA S.S. 45DEG. 48" CLR	414731
6" 11GA S.S.. 90DEG. 48" CLR	414732
6" 11GA CER. 45DEG. 48" CLR	415717
6" 11GA CER. 90DEG. 48" CLR	415718
6" 11GA ALUM. 45DEG. 60" CLR	414733
6" 11GA ALUM. 90DEG. 60" CLR	414734
6" 11GA S.S. 45DEG. 60" CLR	414735
6" 11GA S.S.. 90DEG. 60" CLR	414736
6" 11GA CER. 45DEG. 60" CLR	415719
6" 11GA CER. 90DEG. 60" CLR	415720
6" 11GA ALUM. 45DEG. 72" CLR	414737
6" 11GA ALUM. 90DEG. 72" CLR	414738
6" 11GA S.S. 45DEG. 72" CLR	414739
6" 11GA S.S.. 90DEG. 72" CLR	414740
6" 11GA CER. 45DEG. 72" CLR	415721
6" 11GA CER. 90DEG. 72" CLR	415722

GLASS BENDS

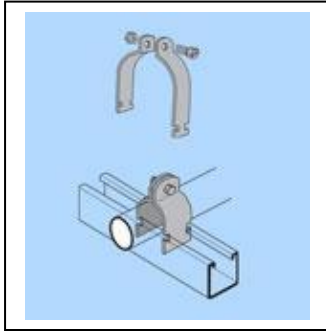
Thoreson McCosh offers glass bends for applications requiring extended wear life beyond that experienced with standard stainless steel bends. Ideal for transmitting highly abrasive plastic pellets and similar abrasive materials. Thoreson McCosh supplied glass bends are designed to match the inside diameter of 16 Ga. Tubing eliminating the step that exists with metric dimensioned products. Bends are available in 90Deg and 45Deg with radius of either 9 or 18 inches. Thoreson McCosh also provides couplings with stepped gaskets to connect bends to tubing.



Part Number	Tubing Size Inches	Inside Diameter Inches	Angle Degrees	Center Line Radius Inches	Outside Diameter Inches	Nominal Wall Thickness Inches	Tangent Length Inches	Weight LB.
GL2266409	2"	1.87	90°	9	2.26	.197	4	2.26
GL2266209	"	"	45°	9	2.26	.197	4	1.54
GL2266418	"	"	90°	18	2.26	.197	4	3.72
GL2266218	"	"	45°	18	2.26	.197	4	2.26
GL2766409	2½"	2.37	90°	9	2.76	.197	5	3.08
GL2766209	"	"	45°	9	2.76	.197	5	2.18
GL2766418	"	"	90°	18	2.76	.197	5	4.88
GL2766218	"	"	45°	18	2.76	.197	5	3.08
GL3266409	3"	2.87	90°	9	3.26	.197	6	3.98
GL3266209	"	"	45°	9	3.26	.197	6	2.90
GL3266418	"	"	90°	18	3.26	.197	6	6.14
GL3264218	"	"	45°	18	3.26	.197	6	3.98

COUPLING FOR GLASS BENDS					
GLASS BEND TO TUBING			GLASS TO GLASS		
PART NUMBER	TUBING SIZE INCHES	DESCRIPTION	PART NUMBER	TUBING SIZE INCHES	DESCRIPTION
2302263B20200GL	2"	2.26X2-3C-ODGL	0102263B2GL	2"	2.26-3C-ODGL
2302763B20250GL	2 ½"	2.76X2.5-3-ODGL	0102763B2GL	2 ½"	2.76-3C-ODGL
2303263B20300GL	3"	3.26X3-3C-ODGL	0103263B2GL	3"	3.26-3C-ODGL

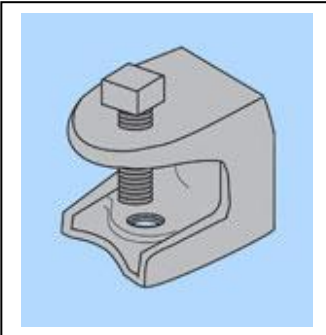
INSTALLATION COMPONENTS



Tube Clamp

- Slotted channel
- 9/16 x 1-1/8 slots on 2" center
- 12-gauge roll-formed strip.
- Available in 10' lengths
- Standard finish galvanized

PART #	Description
410032	2" tube
413468	2 1/2" tube
413469	3" tube
413470	4" tube
414979	5" tube



Beam Clamp

- With set screw for 3/8" & 1/2" rod
- Standard finish galvanized

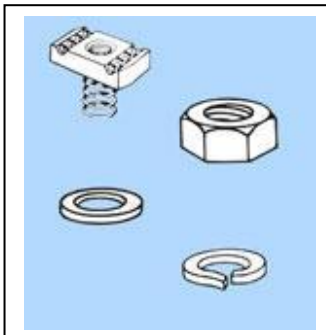
PART #	Description
411807	3/8" beam clamp



Threaded Rod & Couplers

- Electro galvanized.
- Available in 3/8" Dia. & 12' Lengths
- Couplers to accommodate 3/8" rod

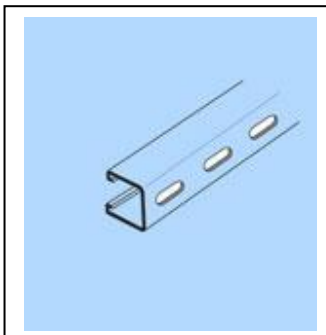
PART #	Description
404768	3/8" rod 12' length
XXXXXX	3/8" coupler



Spring Nut

- 3/8"-16 spring nuts

PART #	Description
411804	3/8" -16 spring nut



1 5/8" Channel

- Slotted Channel
- 9/16" x 1-1/8" slots on 2" center
- 12-ga roll-formed strip
- Available in 20' lengths
- Standard finish galvanized

PART #	Description
410031	20' length

WYES

DESCRIPTION	PART #
1 1/2" 45 DEG 16GA ALUM.	414741
1 1/2" 45 DEG 16GA S.S.	414742
2" 45 DEG 16GA ALUM.	414743
2" 45 DEG 16GA S.S.	414744
2 1/2" 45 DEG 16GA AUM.	414745
2 1/2" 45 DEG 16GA S.S.	414746
3" 45 DEG 14GA AUM	413126
3" 45 DEG 14GA S.S.	414747
4" 45 DEG 11GA ALUM.	414748
4" 45 DEG 11GA S.S.	414749

Wyes

OD	30°		45°	
	C	D	C	D
2"	8"	8"	8"	8"
2-1/2"	8"	8"	8"	8"
3"	8"	8"	8"	8"
4"	8"	8"	8"	8"
4-1/2"	10"	10"	10"	10"
5"	11"	11"	11"	11"
6"	12"	12"	12"	12"
8"	14"	14"	14"	14"

LATERALS

DESCRIPTION	PART #
1 1/2" 45 DEG 16GA ALUM.	409676
1 1/2" 45 DEG 16GA S.S.	414750
2" 45 DEG 16GA ALUM.	408060
2" 45 DEG 16GA S.S.	401994
2 1/2" 45 DEG 16GA AUM.	402398
2 1/2" 45 DEG 16GA S.S.	414751
3" 45 DEG 14GA ALUM.	413127
3" 45 DEG 14GA S.S.	414752
4" 45 DEG 11GA ALUM	411045
4" 45 DEG 11GA S.S.	414753

Laterals

Plain End Lateral

OD	30°		45°	
	G	H	G	H
2"	8"	16"	8"	16"
2-1/2"	9"	18"	8"	16"
3"	10"	20"	8"	16"
4"	12"	24"	10"	20"
4-1/2"	12"	24"	10"	20"
5"	15"	30"	12"	24"
6"	18"	36"	15"	30"
8"	22"	40"	18"	36"

TEE'S

DESCRIPTION	PART #
1 1/2" TEE ALUM 16GA	405219
2" TEE ALUM 16GA	410234
2 1/2" TEE ALUM 16GA	SK90018A
3" TEE ALUM 14GA	414755
4" TEE ALUM 11GA	414754

Tees

OD	A	B
2"	16"	8"
2-1/2"	16"	8"
3"	16"	8"
4"	16"	8"
4-1/2"	18"	9"
5"	18"	9"
6"	20"	10"
8"	24"	12"

WYES OFFSETS & TEE'S ARE AVAILABLE IN ALUMINUM, STAINLESS & CERAMIC LINED IN A VARIETY OF WALL THICKNESSES AND SIZES. CALL FOR COMPLETE LIST.

PARALLEL LATERALS, OFFSETS, MANIFOLDS & PARALLEL WYES ARE AVAILABLE IN DIFFERENT SIZES AND MATERIALS. CALL FOR DETAILS..



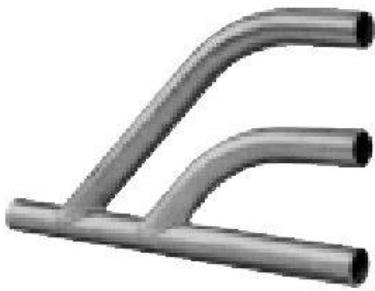
PARALLEL LATERAL



OFFSETS



PARALLEL WYE



CUSTOM MANIFOLD TUBING



CUSTOM MANIFOLD STATIONS

PLUGS VACUUM LINE



DESCRIPTION	PART #
PLUG 1 ½" VACUUM LINE	413651
PLUG 2" VACUUM LINE	413652
PLUG 3" VACUUM LINE	414113



DESCRIPTION	PART #
PLUG 2 ½" VACUUM LINE	415330
COUPLING COMPRESSION 2 ½"	408004
FOR ATTACHING PLUG	

GUAGES

DESCRIPTION	PART #
METER DIGITAL PRESSURE.	414756
GAUGE VACUUM 2.5" LIQ. STD	410740

