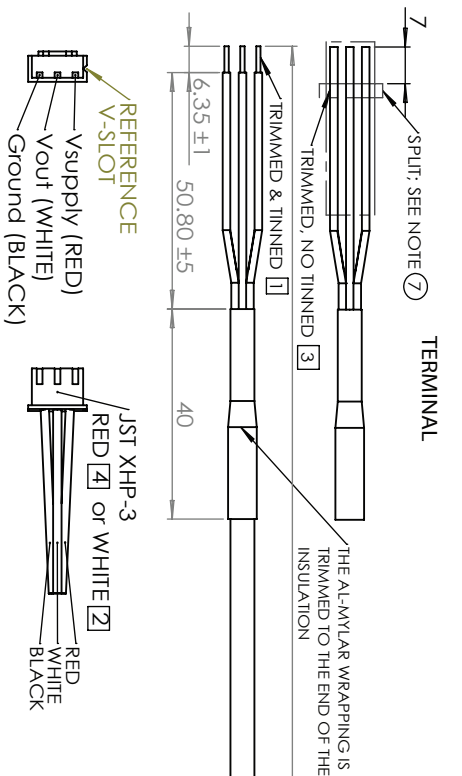
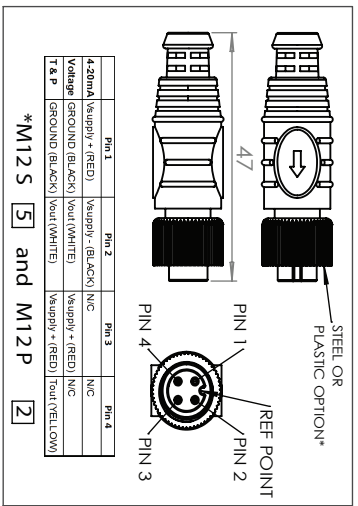
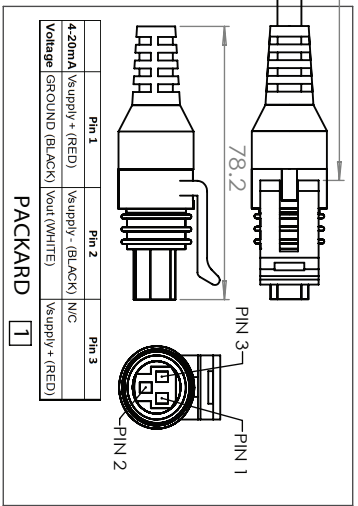
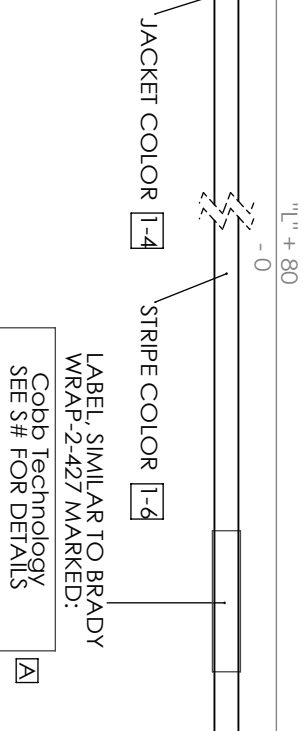
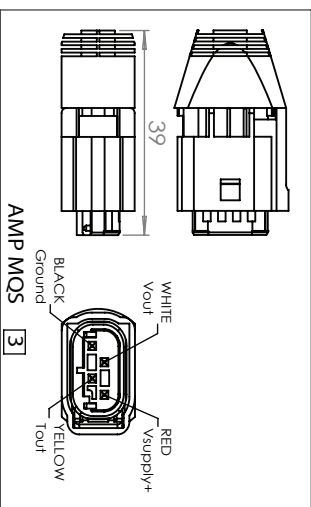
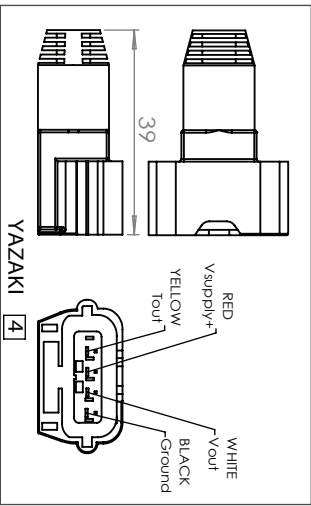


# RoHS Compliant Customer Drawing



NOTES:

- CABLE IS NOT BRUISED AND CRUSHED.
- CABLE PASSES THE CONTINUITY TEST 100%. WIRE AND TERMINALS SHOULD BE CRIMPED FIRM, SHOULD BE ABLE TO WITHSTAND THE FORCE OF 30N FOR 1 MINUTE WITHOUT SHEDDING.
- BETWEEN THE TERMINAL AND THE BASE HOLE, SHOULD BE ABLE TO WITHSTAND THE FORCE OF 15N FOR 1 MINUTE WITHOUT SHEDDING.
- FOR 1 MINUTE WITHOUT SHEDDING.
- SHOULD BE ABLE TO WITHSTAND THE FORCE OF 60N FOR 1 MINUTE WITHOUT SHEDDING.
- IP67 REQUIRED.
- SPLIT REPRESENTS COPPER CONDUCTOR WITHIN THE WIRE INSULATOR.



CEL00009 PART NUMBER FORMAT

CONNECTOR TYPE	TERMINATION	JACKET COLOR	STRIPE COLOR	CABLE PVC JACKET	NO. OF CONDUCTORS	SHIELDING	UNITS OF LENGTH	LENGTH	CUSTOM VARIATION
1 PACKARD STYLE OVER MOLDED	1 TRIMMED & TINNED	1 BLACK	1 NO STRIPE	1 UL 2646 (22 AWG)	2 2 WIRE	1 NO SHIELDING	1 METER	-	BLANK NO VARIATIONS
2 M12 (S) OVERMOLDED	2 JST STYLE (WHITE)	2 RED	2 BLUE	2 UL2571 (22 AWG)	3 3 WIRE	0 SHIELDED W/ DRAIN WIRE	2 CENTIMETER	-	S001 LABELS DETAILED ABOVE
3 TE / AMP MOS STYLE OVER MOLDED	3 TRIMMED (NO TIN)	3 BLUE	3 YELLOW	3 UL2586 (22 AWG)	4 4 WIRE	3	3 MILLIMETER	-	S102 CUSTOM PIN OUT
3C TE / AMP MOS STYLE CRIMPED	4 JST STYLE (RED)	4 YELLOW	4 RED		5 5 WIRE	4	4 FOOT	-	CONTACT FACTORY FOR NUMBERS NOT LISTED AND DETAILED SPECIFICATIONS
4 YAZAKI STYLE OVER MOLDED	5 BLUNT CUT	5 GRAY	5 ORANGE		6 6 WIRE	5	5 INCH	-	
4C YAZAKI STYLE CRIMPED	6 4.2MM MOLEX STYLE	6	6 BLACK					-	
5 M12(P) OVER MOLDED								-	
6 M12 (S) RIGHT ANGLE OVER MOLDED								-	

1.1	ECO#033121-1 ADDED OPTIONS	N. Boon	31-MAR-2021			TITLE : SENSOR / TRANSDUCER CABLES				
1.0	Release	N. Boon	29-JAN-2021							
REV.	ECN. NO.	DR. BY	DATE	MAT'L:	FINISH:	SCALE: NTS	SHEET: 1 / 1	DR: N. Boon	REV.: 1.1	DATE: 29-JAN-2021

E

E