

Side Break Parallel Type SBP Copper 1200 & 1600 A

Bulletin #4100

3/2006

pascor

Pacific Air Break Switch Technology

PASCOR offers versatility and reliability in its entire line of group operated switches. Ideal for either substation or transmission applications, PASCOR switches are engineered to the highest standards to meet ANSI requirements. Pascor customizes controls on each switch to suit the application.

Side Break Parallel

- Manufactured in copper
- Requires minimum overhead clearance

Application: Substation & Transmission

- Horizontal upright
- Vertical
- Underhung

Standard Features

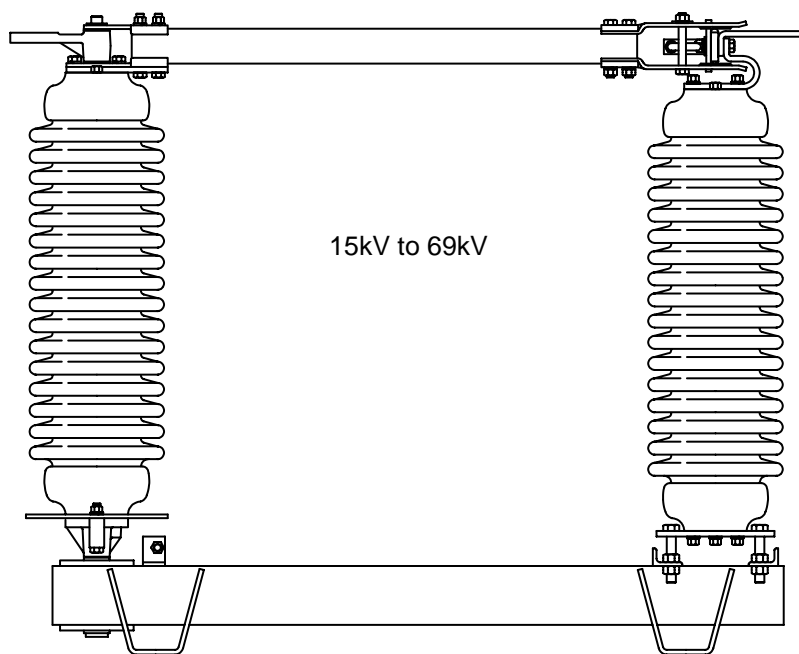
- 1/2" Stainless Steel arcing horns
- Leaf type contact fingers with stainless steel backup springs
- Silver-to-silver exposed contacts
- Rigid tubular blades
- Stainless steel live parts hardware
- Galvanized steel square tube base
- Stainless steel ball bearings

Operator Option

- Swing handle
- Worm gear
- Motor operator

Accessories

- Whip type horns
- Single vacuum bottle interrupters
- Ground switches



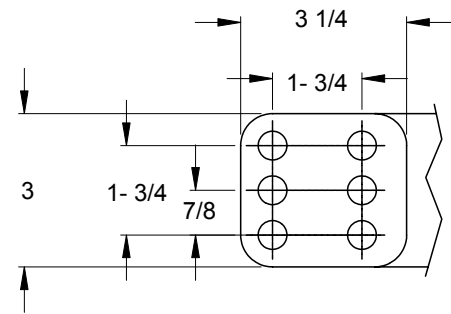
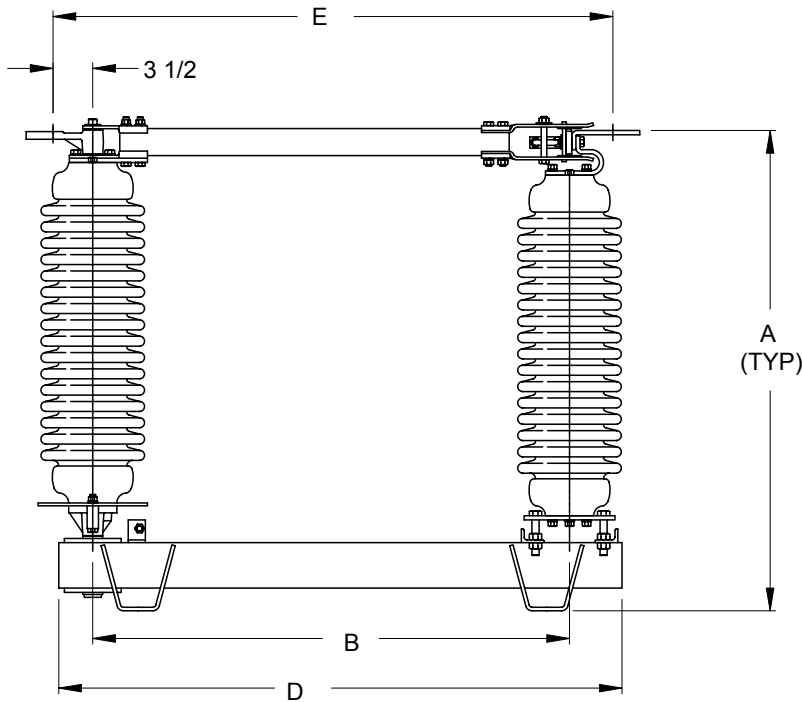
Pacific Air Switch Corporation

P.O. Box 328, 2615 23rd Avenue, Forest Grove, OR 97116, (503) 359-3939, Fax: (503) 357-0858

SBPC Side Break Parallel Copper

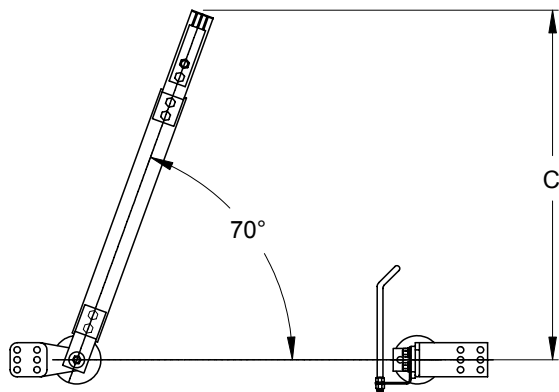
pascor

3/2006

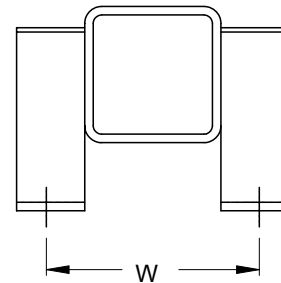


TERMINAL PAD DETAILS

ANSI Standard Hole Pattern
9/16 diameter holes
(Center holes for 600A connector)



BLADE OPEN POSITION



BASE CROSS SECTION

ANSI STANDARD MOUNTING "W"
15 - 69kV 6 1/4"

kV (nom)	kV BIL	Amps Continuous	kA Mom.	STD. INSUL.	INSUL. BC (IN)	INSUL. HGT (IN)	Dimensions are in inches					
							A	B	C	D	E	F*
15	110	1200/1600	61/70	TR205	3	10	22 1/4	15	17	22 3/4	22 5/16	705
23	150	1200/1600	61/70	TR208	3	14	26 1/4	18	19 3/4	25 3/4	25 5/16	774
34.5	200	1200/1600	61/70	TR210	3	18	30 1/4	24	25 1/2	31 1/2	31 5/16	852
46	250	1200/1600	61/70	TR214	3	22	34 1/4	30	31	37 3/4	37 5/16	996
69	350	1200/1600	61/70	TR216	3	30	42 1/4	42	42 1/2	49 3/4	49 5/16	1212

*Weights are in lbs., and include 3 phases, insulators and controls

Pacific Air Switch Corporation

P.O. Box 328, 2615 23rd Avenue, Forest Grove, OR 97116, (503) 359-3939, Fax: (503) 357-0858