

# Center Break Parallel Type CBP Aluminum or Copper 1200 & 1600 A

Bulletin #2100

3/2006

# pascor

## Pacific Air Break Switch Technology

PASCOR offers versatility and reliability in its entire line of group operated switches. Ideal for either substation or transmission applications, PASCOR switches are engineered to the highest standards to meet ANSI requirements. Pascor customizes controls on each switch to suit the application.

### Center Break Parallel

- Manufactured in either aluminum or copper
- Requires minimum overhead clearance

### Application: Substation & Transmission

- Horizontal upright
- Vertical
- Underhung

### Standard Features

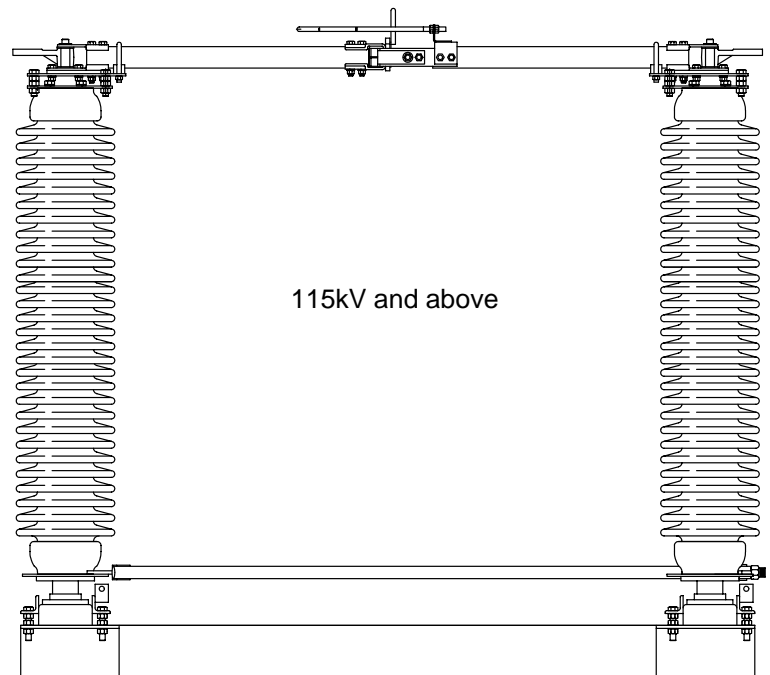
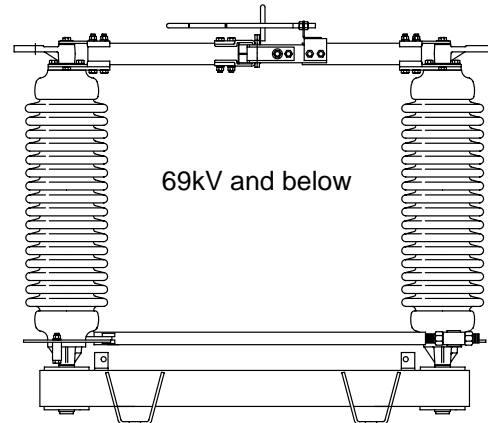
- 1/2" Stainless Steel arcing horns
- Leaf type contact fingers with stainless steel backup springs
- Silver-to-silver exposed contacts
- Rigid tubular blades
- Stainless steel live parts hardware
- Galvanized steel square tube base
- Stainless steel ball bearings

### Operator Option

- Swing handle
- Worm gear
- Motor operator

### Accessories

- Whip type horns
- Single vacuum bottle interrupters
- Ground switches



**Pacific Air Switch Corporation**

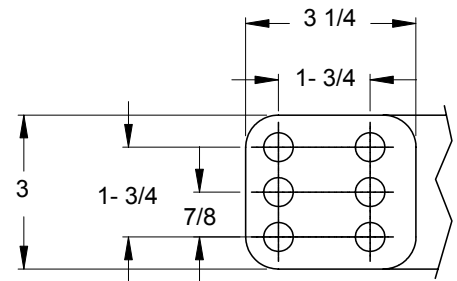
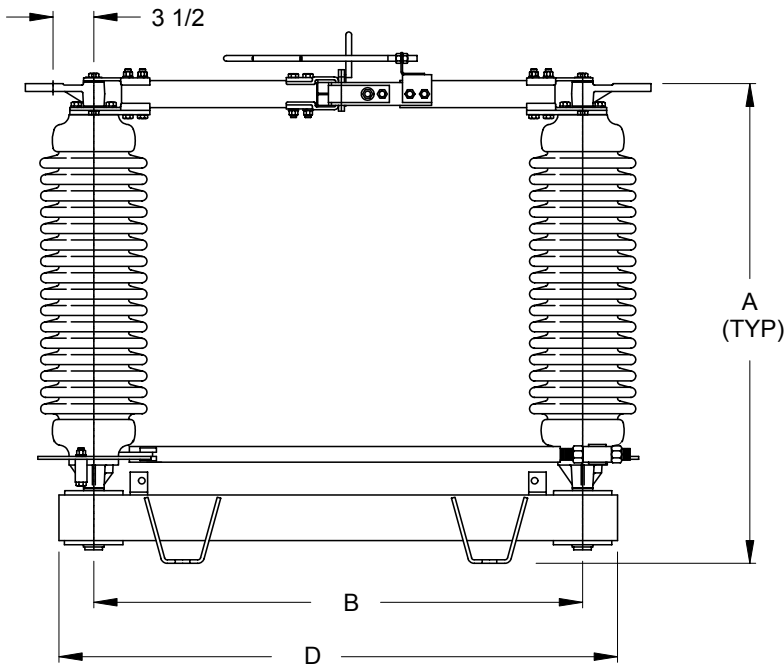
P.O. Box 328, 2615 23<sup>rd</sup> Avenue, Forest Grove, OR 97116, (503) 359-3939, Fax: (503) 357-0858

**CBPA Center Break Parallel Aluminum**

**CBPC Center Break Parallel Copper**

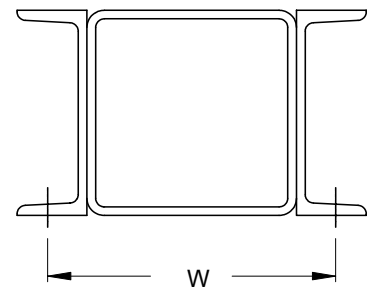
**pascor**

3/2006



**TERMINAL PAD DETAILS**

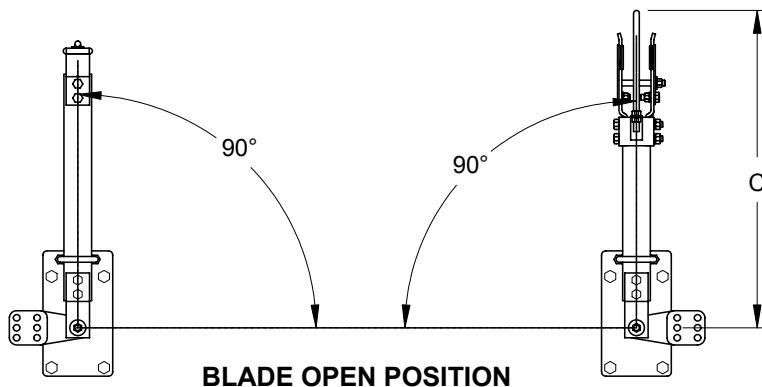
ANSI Standard Hole Pattern  
9/16 diameter holes  
(Center holes for 600A connector)



**BASE CROSS SECTION**

**ANSI STANDARD MOUNTING "W"**

15 - 69kV      6 1/4"  
115kV - 138kV      8 1/4"  
230kV      8 1/4" or 12 1/2"



**BLADE OPEN POSITION**

kV (nom)	kV BIL	Amps Continuous	kA Mom.	STD. INSUL.	INSUL. BC (IN)	INSUL. HGT (IN)	Dimensions are in inches				
							A	B	C	D	E*
15	110	1200/1600	61/70	TR205	3	10	22 1/4	24	20	30	741
23	150	1200/1600	61/70	TR208	3	14	26 1/4	24	20	33	801
34.5	200	1200/1600	61/70	TR210	3	18	30 1/4	24	20	34	867
46	250	1200/1600	61/70	TR214	3	22	34 1/4	30	21	36	999
69	350	1200/1600	61/70	TR216	3	30	42 1/4	42	31	52	1131
115	550	1200/1600	61/70	TR286	5	45	61	60	40	70	1479
138	650	1200/1600	61/70	TR288	5	54	70	72	46 1/2	82	1623
161	750	1200/1600	61/70	TR291	5	62	82 1/2	84	50 1/2	94	2013
230	900	1200/1600	61/70	TR304	5	80	100 1/2	96	56 1/2	108	2241

\*Weights are in lbs., and include 3 phases, insulators and controls

**Pacific Air Switch Corporation**

P.O. Box 328, 2615 23<sup>rd</sup> Avenue, Forest Grove, OR 97116, (503) 359-3939, Fax: (503) 357-0858

# Center Break Parallel Type CBP Aluminum or Copper 2000A

Bulletin #2200

3/2006

# pascor

## Pacific Air Break Switch Technology

PASCOR offers versatility and reliability in its entire line of group operated switches. Ideal for either substation or transmission applications, PASCOR switches are engineered to the highest standards to meet ANSI requirements. Pascor customizes controls on each switch to suit the application.

## Center Break Parallel

- Manufactured in either aluminum or copper
- Requires minimum overhead clearance

## Application: Substation & Transmission

- Horizontal upright
- Vertical
- Underhung

## Standard Features

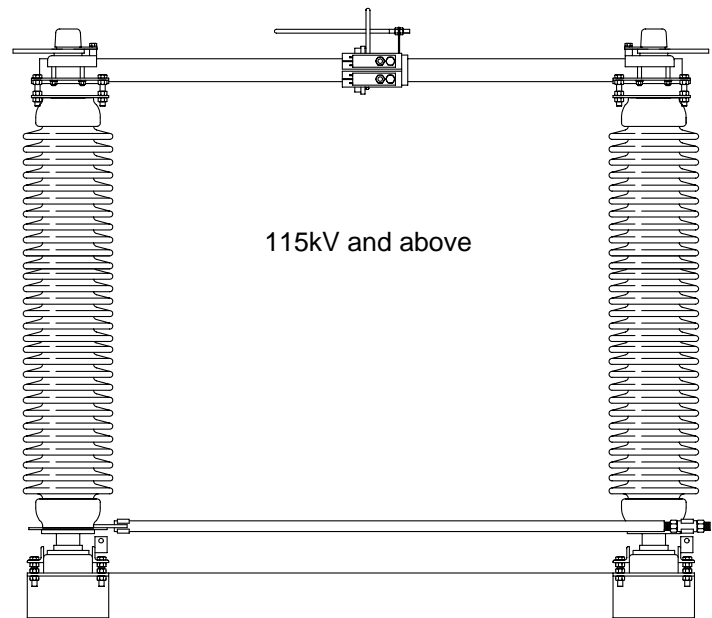
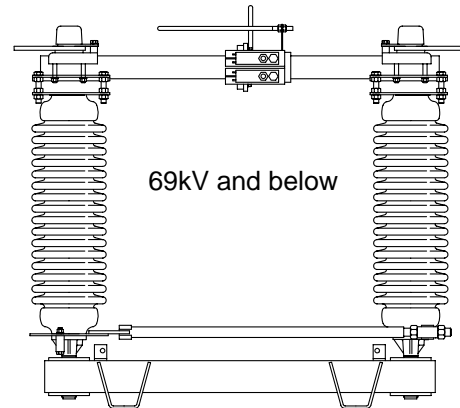
- 1/2" Stainless Steel arcing horns
- Leaf type contact fingers with stainless steel backup springs
- Silver-to-silver exposed contacts
- Rigid tubular blades
- Stainless steel live parts hardware
- Galvanized steel square tube base
- Stainless steel ball bearings

## Operator Option

- Swing handle
- Worm gear
- Motor operator

## Accessories

- Whip type horns
- Single vacuum bottle interrupters
- Ground switches



Pacific Air Switch Corporation

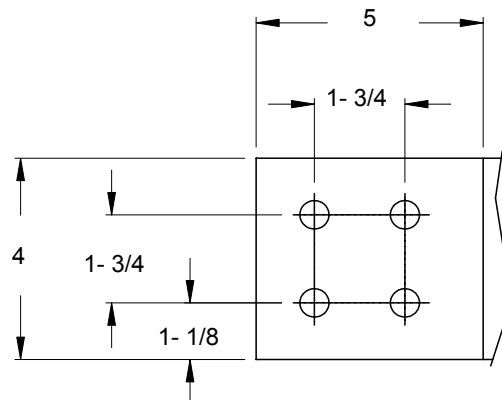
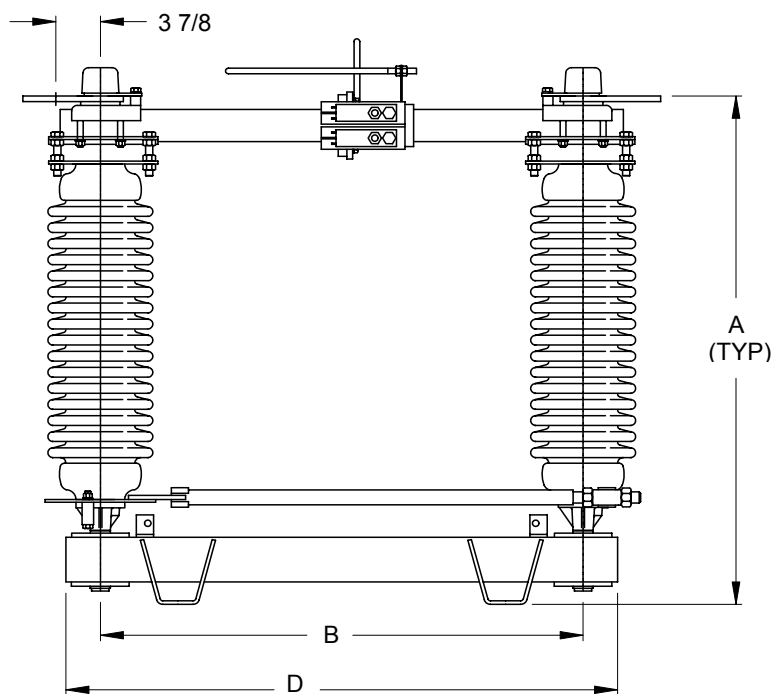
P.O. Box 328 , 2615 23<sup>rd</sup> Avenue, Forest Grove, OR 97116, (503) 359-3939, Fax: (503) 357-0858

**CBPA Center Break Parallel Aluminum**

**CBPC Center Break Parallel Copper**

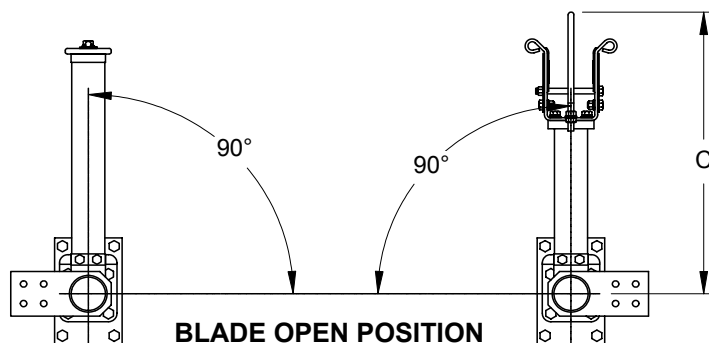
**pascor**

3/2006

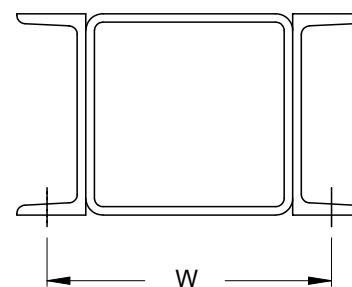


**TERMINAL PAD DETAIL**

ANSI Standard Hole Pattern  
9/16 diameter holes



**BLADE OPEN POSITION**



**BASE CROSS SECTION**

**ANSI STANDARD MOUNTING "W"**

15 - 69kV      6 1/4"  
115 - 161kV    8 1/4"  
230kV        8 1/4" or 12 1/2"

kV (nom)	kV BIL	Amps Continuous	kA Mom.	STD. INSUL.	INSUL. BC (IN)	INSUL. HGT (IN)	Dimensions are in inches				
							A	B	C	D	E*
15	110	2000	100	TR205	3	10	25 1/2	24	17	30	900
23	150	2000	100	TR208	3	14	29 1/2	24	17	33	960
34.5	200	2000	100	TR210	3	18	33 1/2	24	17	34	1026
46	250	2000	100	TR214	3	22	37 1/2	30	21	36	1158
69	350	2000	100	TR216	3	30	45 1/2	42	31 1/2	52	1290
115	550	2000	100	TR286	5	45	62 3/4	60	41	70	1638
138	650	2000	100	TR288	5	54	71 3/4	72	47	82	1782
161	750	2000	100	TR291	5	62	84 1/4	84	51	94	2172
230	900	2000	100	TR304	5	80	102 1/4	96	57	108	2400

\*Weights are in lbs., and include 3 phases, insulators and controls

**Pacific Air Switch Corporation**

P.O. Box 328 , 2615 23<sup>rd</sup> Avenue, Forest Grove, OR 97116, (503) 359-3939, Fax: (503) 357-0858

# Center Break Parallel Type CBP Aluminum or Copper 3000A & 4000A

Bulletin #2300

3/2006

# pascor

## Pacific Air Break Switch Technology

PASCOR offers versatility and reliability in its entire line of group operated switches. Ideal for either substation or transmission applications, PASCOR switches are engineered to the highest standards to meet ANSI requirements. Pascor customizes controls on each switch to suit the application.

## Center Break Parallel

- Manufactured in either aluminum or copper
- Requires minimum overhead clearance

## Application: Substation & Transmission

- Horizontal upright
- Vertical
- Underhung

## Standard Features

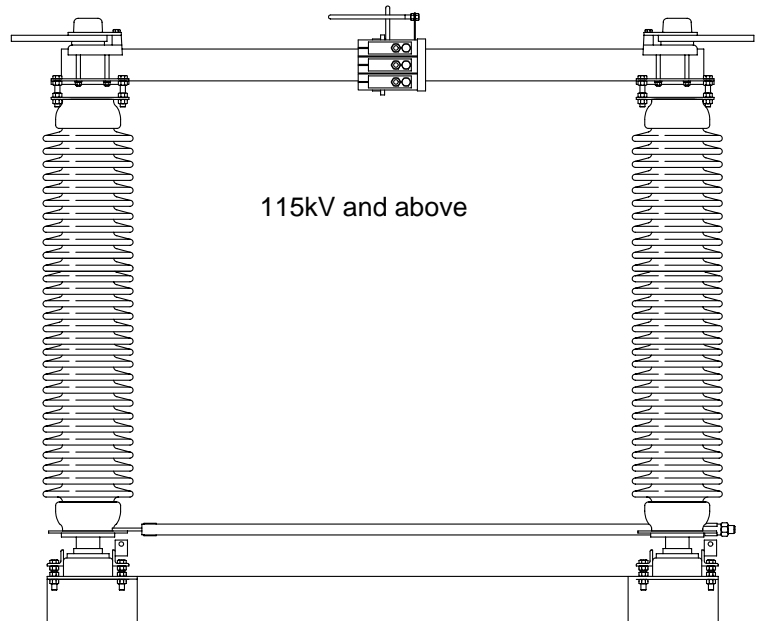
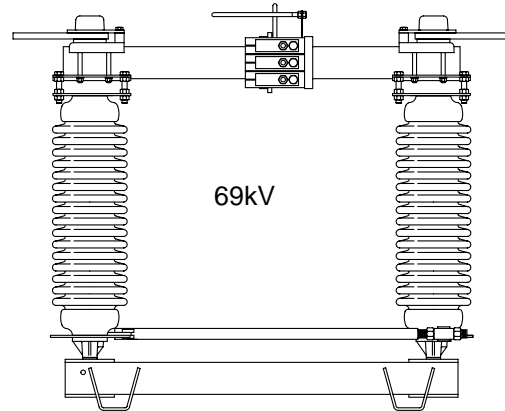
- 1/2" Stainless Steel arcing horns
- Leaf type contact fingers with stainless steel backup springs
- Silver-to-silver exposed contacts
- Rigid tubular blades
- Stainless steel live parts hardware
- Galvanized steel square tube base
- Stainless steel ball bearings

## Operator Option

- Swing handle
- Worm gear
- Motor operator

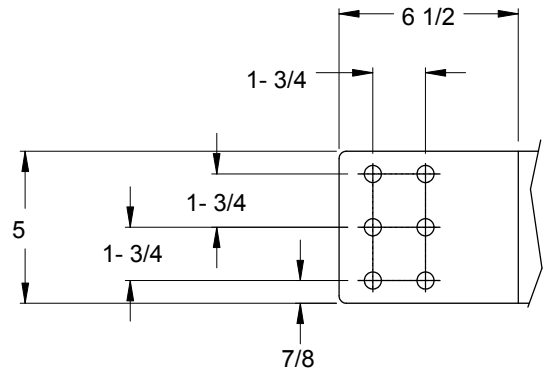
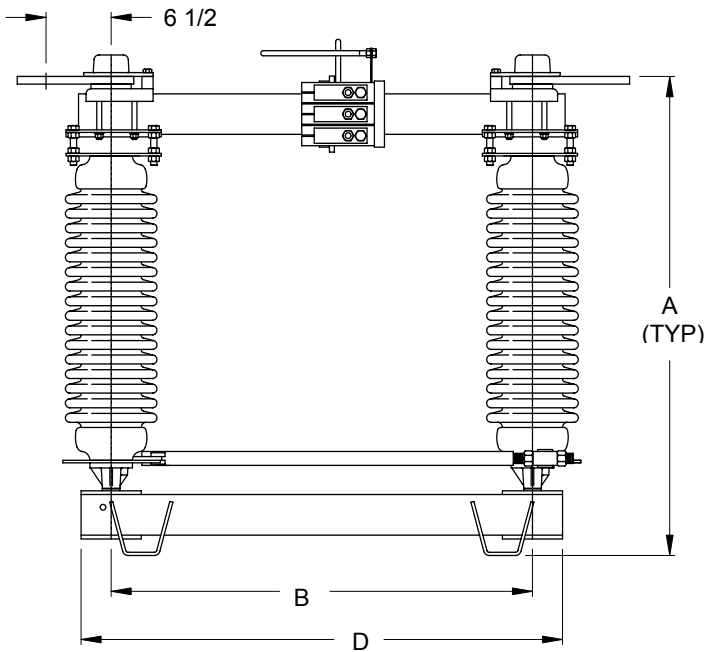
## Accessories

- Whip type horns
- Single vacuum bottle interrupters
- Ground switches
- Counterweight as required



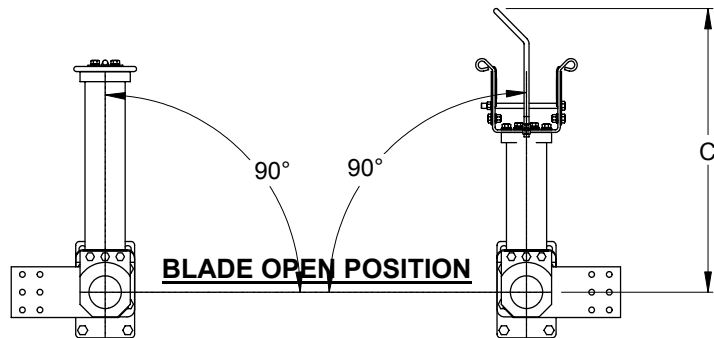
**Pacific Air Switch Corporation**

P.O. Box 328 , 2615 23<sup>rd</sup> Avenue, Forest Grove, OR 97116, (503) 359-3939, Fax: (503) 357-0858

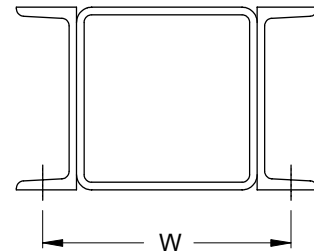


**TERMINAL PAD DETAIL**

ANSI Standard Hole Pattern  
9/16 diameter holes



**BLADE OPEN POSITION**



**BASE CROSS SECTION**

(115 - 230kV SWITCH BASE SHOWN)

**ANSI STANDARD MOUNTING "W"**

69kV	6 1/4"
115 - 161kV	8 1/4"
230kV	8 1/4" or 12 1/2"

kV (nom)	kV BIL	Amps Continuous	kA Mom.	STD. INSUL.	INSUL. BC (IN)	INSUL. HGT (IN)	Dimensions are in inches				
							A	B	C	D	E*
69	350	3000/4000	120	TR216	3	30	47 1/4	42	29	48	1590
115	550	3000/4000	120	TR286	5	45	64 1/2	60	39 1/2	70	1938
138	650	3000/4000	120	TR288	5	54	73 1/2	72	45	82	2082
161	750	3000/4000	120	TR291	5	62	86	84	51	94	2472
230	900	3000/4000	120	TR304	5	80	104	96	57	108	2700

\*Weights are in lbs., and include 3 phases, insulators and controls

**Pacific Air Switch Corporation**

P.O. Box 328 , 2615 23<sup>rd</sup> Avenue, Forest Grove, OR 97116, (503) 359-3939, Fax: (503) 357-0858