

Center Break Slant Type CBS Aluminum or Copper 1200 & 1600 A

Bulletin #3100

3/2006

pascor

Pacific Air Break Switch Technology

PASCOR offers versatility and reliability in its entire line of group operated switches. Ideal for either substation or transmission applications, PASCOR switches are engineered to the highest standards to meet ANSI requirements. Pascor customizes controls on each switch to suit the application.

Center Break Slant

- Manufactured in either aluminum or copper
- Requires minimum overhead clearance
- Slanted insulators allow for minimum base mounting

Application: Substation & Transmission

- Horizontal upright
- Vertical
- Underhung
- Phase over phase
- Phase opposite phase

Standard Features

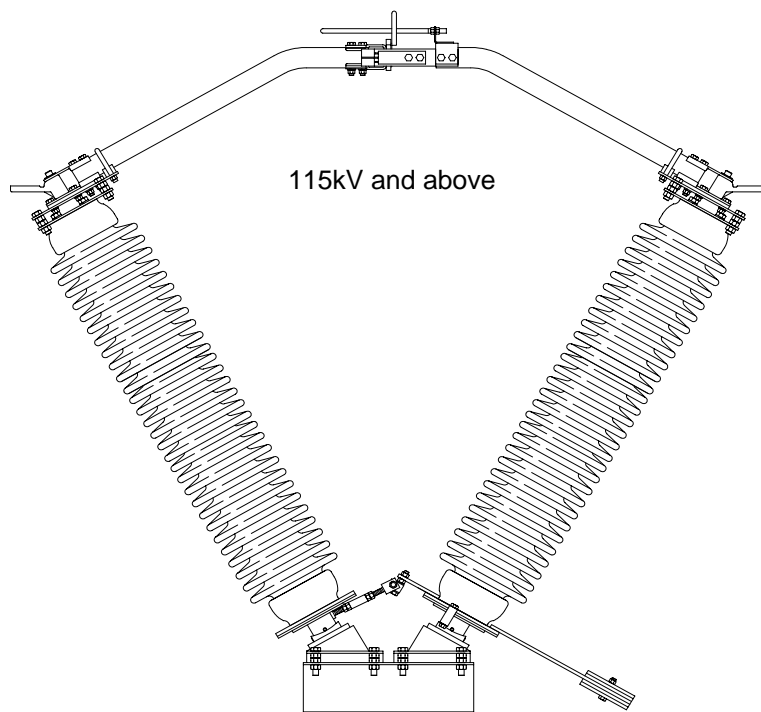
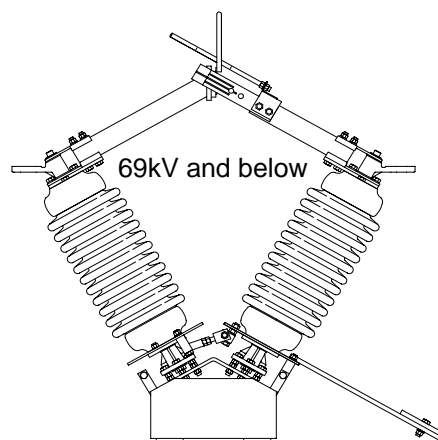
- 1/2" Stainless Steel arcing horns
- Brazed silver-to-silver contacts
- Rigid tubular blades
- Stainless steel live parts hardware
- Stainless steel ball bearings 115kV and above
- Stainless steel shaft in bronze sleeve bearing 69kV and below
- Galvanized steel base

Operator Option

- Swing handle
- Worm gear
- Motor operator

Accessories

- Whip type horns
- Single vacuum bottle interrupters
- Ground switches
- Counterweight as required



Pacific Air Switch Corporation

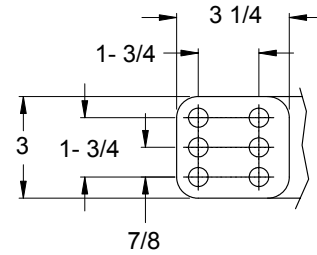
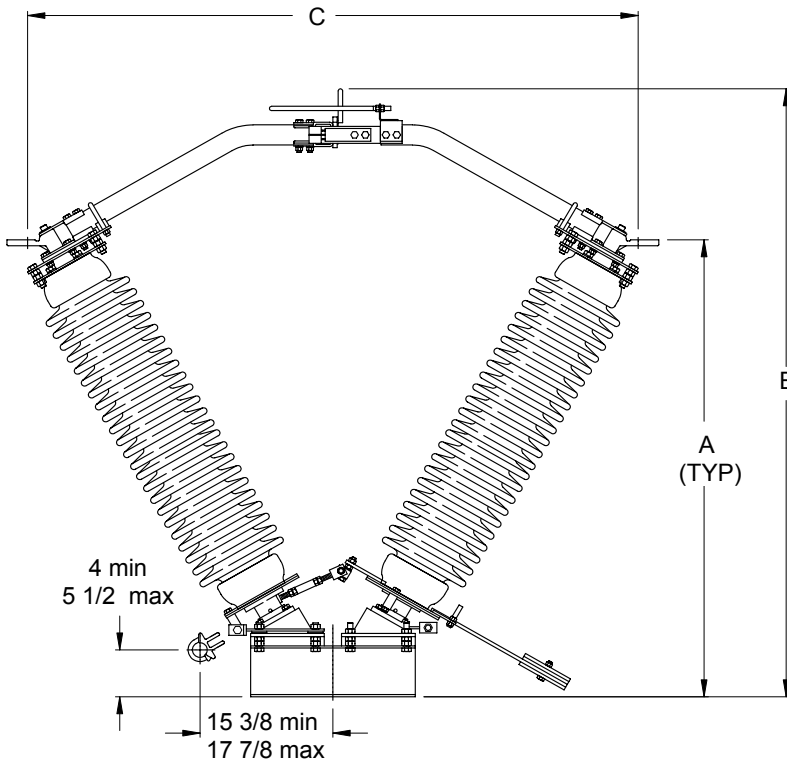
P.O. Box 328, 2615 23rd Avenue, Forest Grove, OR 97116, (503) 359-3939, Fax: (503) 357-0858

CBSA Center Break Slant Aluminum

CBSC Center Break Slant Copper

pascor

3/2006

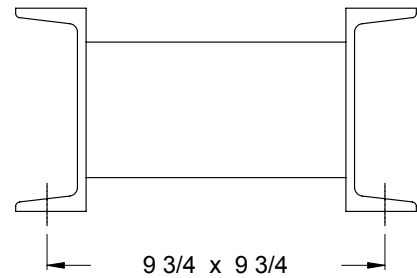


TERMINAL PAD DETAIL

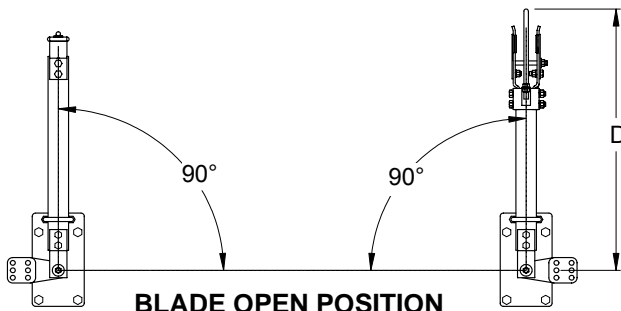
ANSI Standard Hole Patter
9/16 diameter holes
(Center holes for 600A connector)

4 min
5 1/2 max

15 3/8 min
17 7/8 max



STANDARD MOUNTING FOOTPRINT



BLADE OPEN POSITION

kV (nom)	kV BIL	Amps Continuous	kA Mom.	STD. INSUL.	INSUL. BC (IN)	INSUL. HGT (IN)	Dimensions are in inches				
							A	B	C	D	E*
15	110	1200/1600	61/70	TR205	3	10	21 ³ / ₄	36 ³ / ₈	28 ¹ / ₈	20	615
23	150	1200/1600	61/70	TR208	3	14	25 ¹ / ₄	41	32 ¹ / ₈	22 ¹ / ₄	675
34.5	200	1200/1600	61/70	TR210	3	18	28 ³ / ₄	45 ⁵ / ₈	36 ¹ / ₈	24 ³ / ₄	741
46	250	1200/1600	61/70	TR214	3	22	32 ¹ / ₄	50 ¹ / ₄	40 ¹ / ₈	27	873
69	350	1200/1600	61/70	TR216	3	30	40 ¹ / ₄	53 ¹ / ₄	53 ⁷ / ₈	33	1005
115	550	1200/1600	61/70	TR286	5	45	53 ³ / ₄	71 ³ / ₄	70 ¹ / ₂	42 ¹ / ₂	1353
138	650	1200/1600	61/70	TR288	5	54	61 ³ / ₄	82 ¹ / ₈	79 ¹ / ₂	47 ³ / ₄	1497
161	750	1200/1600	61/70	TR291	5	62	71 ¹ / ₄	96 ¹ / ₂	93 ¹ / ₂	58 ¹ / ₄	1887
230	900	1200/1600	61/70	TR304	5	80	86 ³ / ₄	118 ¹ / ₄	111 ¹ / ₂	71 ¹ / ₂	2115

*Weights are in lbs., and include 3 phases, insulators and controls

Pacific Air Switch Corporation

P.O. Box 328, 2615 23rd Avenue, Forest Grove, OR 97116, (503) 359-3939, Fax: (503) 357-0858

Center Break Slant Type CBS Aluminum or Copper 2000A

Bulletin #3200

3/2006

pascor

Pacific Air Break Switch Technology

PASCOR offers versatility and reliability in its entire line of group operated switches. Ideal for either substation or transmission applications, PASCOR switches are engineered to the highest standards to meet ANSI requirements. Pascor customizes controls on each switch to suit the application.

Center Break Slant

- Manufactured in either aluminum or copper
- Requires minimum overhead clearance
- Slanted insulators allow for minimum base mounting

Application: Substation & Transmission

- Horizontal upright
- Vertical
- Underhung
- Phase over phase
- Phase opposite phase

Standard Features

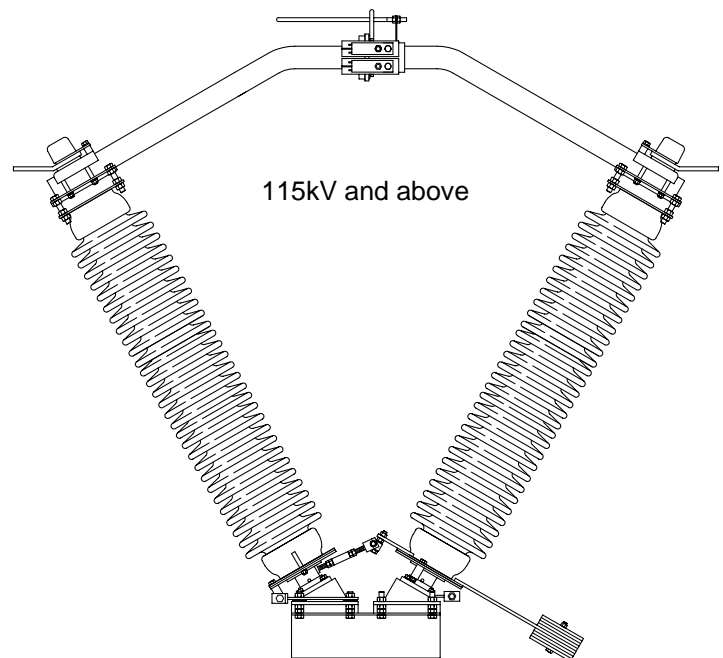
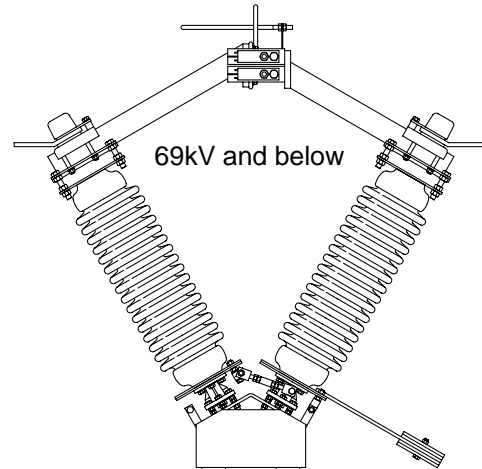
- 1/2" Stainless Steel arcing horns
- Brazed silver-to-silver contacts
- Rigid tubular blades
- Stainless steel live parts hardware
- Stainless steel ball bearings 115kV and above
- Stainless steel shaft in bronze sleeve bearing 69kV and below
- Galvanized steel base

Operator Option

- Swing handle
- Worm gear
- Motor operator

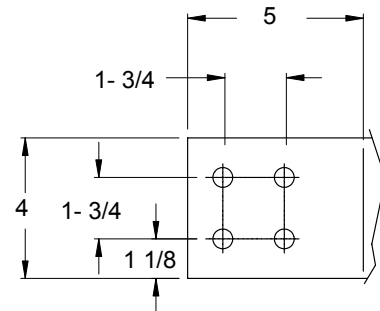
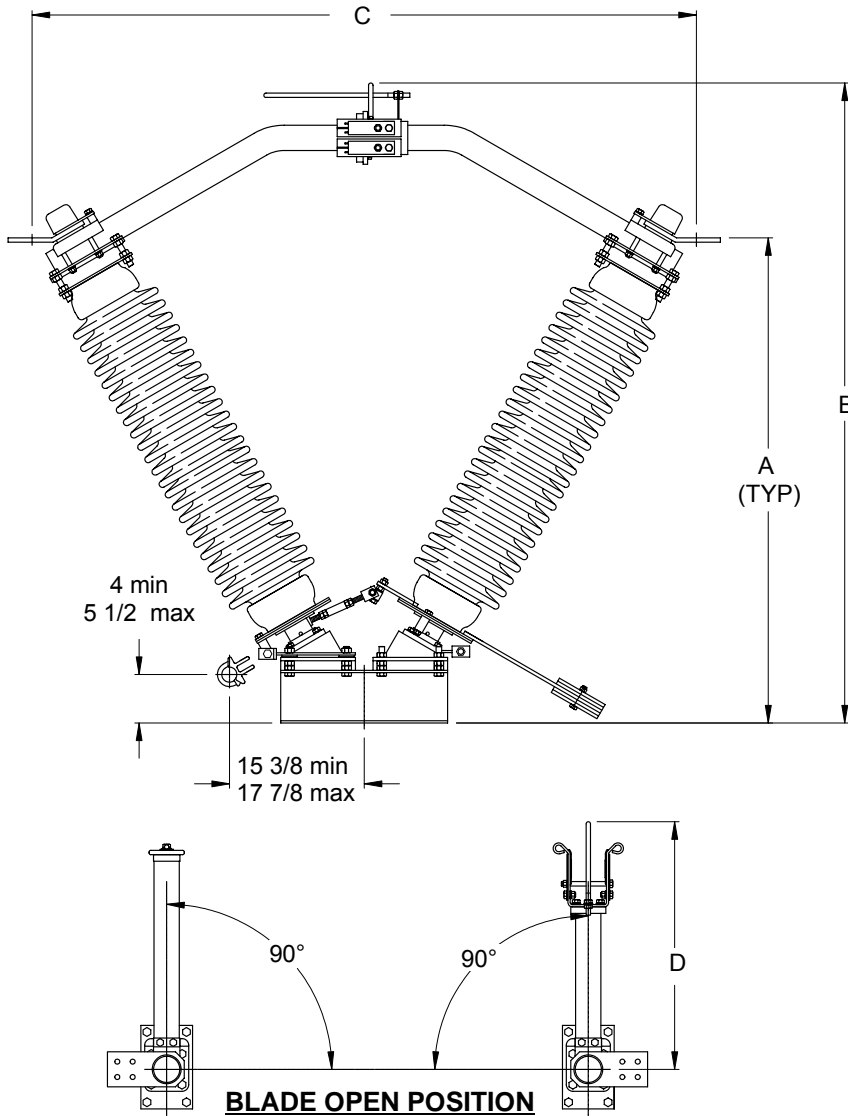
Accessories

- Whip type horns
- Single vacuum bottle interrupters
- Ground switches
- Counterweight as required

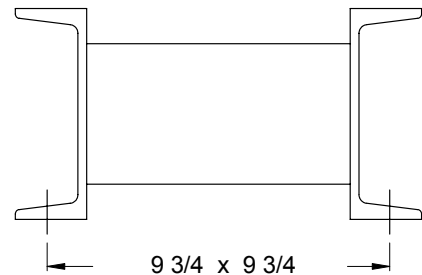


Pacific Air Switch Corporation

P.O. Box 328, 2615 23rd Avenue, Forest Grove, OR 97116, (503) 359-3939, Fax: (503) 357-0858



TERMINAL PAD DETAIL
ANSI Standard Hole Pattern
9/16 diameter holes
(Center holes for 600A connector)



STANDARD MOUNTING FOOTPRINT

kV (nom)	kV BIL	Amps Continuous	kA Mom.	STD. INSUL.	INSUL. BC (IN)	INSUL. HGT (IN)	Dimensions are in inches				
							A	B	C	D	E*
15	110	2000	100	TR205	3	10	24 ^{5/8}	36 ^{3/8}	35	23 ^{3/4}	1480
23	150	2000	100	TR208	3	14	28	41	39	25 ^{3/4}	1540
34.5	200	2000	100	TR210	3	18	31 ^{1/2}	45 ^{5/8}	43	28 ^{1/4}	1606
46	250	2000	100	TR214	3	22	35	50 ^{1/4}	47	30 ^{1/2}	1738
69	350	2000	100	TR216	3	30	41 ^{7/8}	59 ^{1/2}	55	35	1870
115	550	2000	100	TR286	5	45	55 ^{1/4}	72 ^{7/8}	75 ^{5/8}	47	2218
138	650	2000	100	TR288	5	54	63	85 ^{7/16}	84 ^{5/8}	52 ^{1/8}	2362
161	750	2000	100	TR291	5	62	72 ^{3/4}	98 ^{3/8}	98 ^{13/16}	60 ^{3/4}	2752
230	900	2000	100	TR304	5	80	88 ^{3/8}	119 ^{3/8}	116 ^{3/4}	71 ^{1/4}	2980

*Weights are in lbs., and include 3 phases, insulators and controls

Pacific Air Switch Corporation

P.O. Box 328, 2615 23rd Avenue, Forest Grove, OR 97116, (503) 359-3939, Fax: (503) 357-0858

Center Break Slant Type CBS Aluminum or Copper 3000A

Bulletin #3300

3/2006

pascor

Pacific Air Break Switch Technology

PASCOR offers versatility and reliability in its entire line of group operated switches. Ideal for either substation or transmission applications, PASCOR switches are engineered to the highest standards to meet ANSI requirements. Pascor customizes controls on each switch to suit the application.

Center Break Slant

- Manufactured in either aluminum or copper
- Requires minimum overhead clearance
- Slanted insulators allow for minimum base mounting

Application: Substation & Transmission

- Horizontal upright
- Vertical
- Underhung
- Phase over phase
- Phase opposite phase

Standard Features

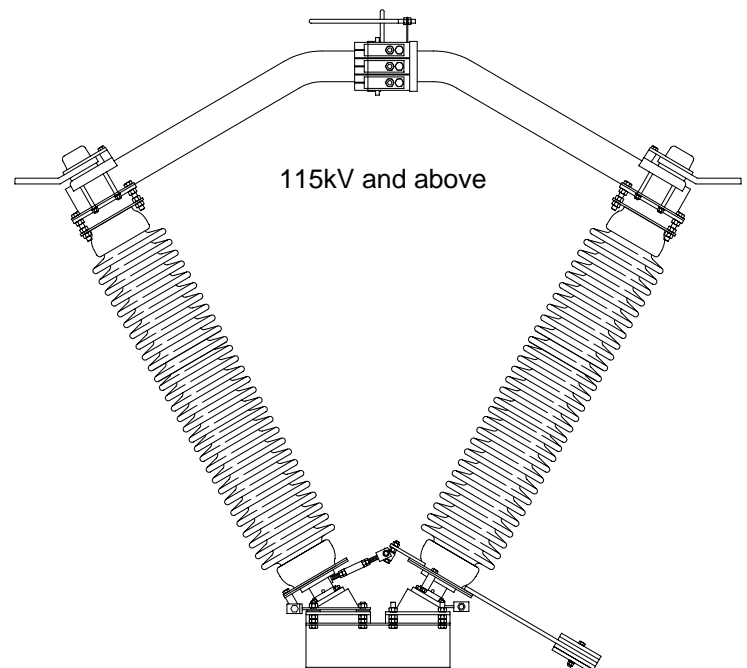
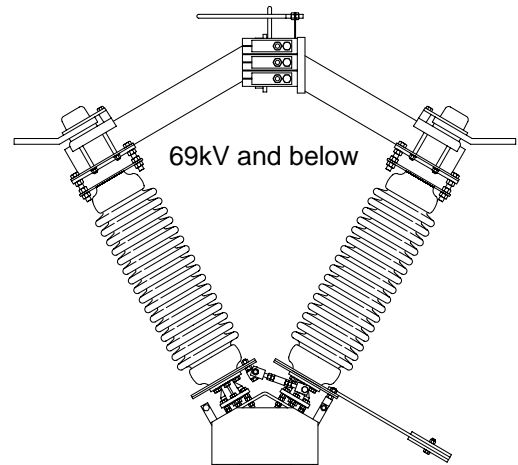
- 1/2" Stainless Steel arcing horns
- Brazed silver-to-silver contacts
- Rigid tubular blades
- Stainless steel live parts hardware
- Stainless steel ball bearings 115kV and above
- Stainless steel shaft in bronze sleeve bearing 69kV and below
- Galvanized steel base

Operator Option

- Swing handle
- Worm gear
- Motor operator

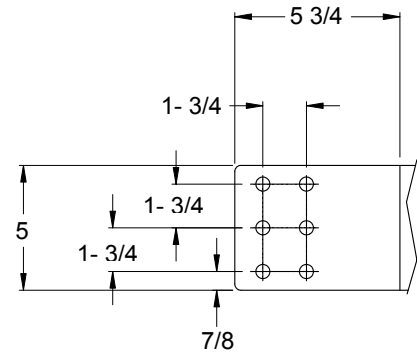
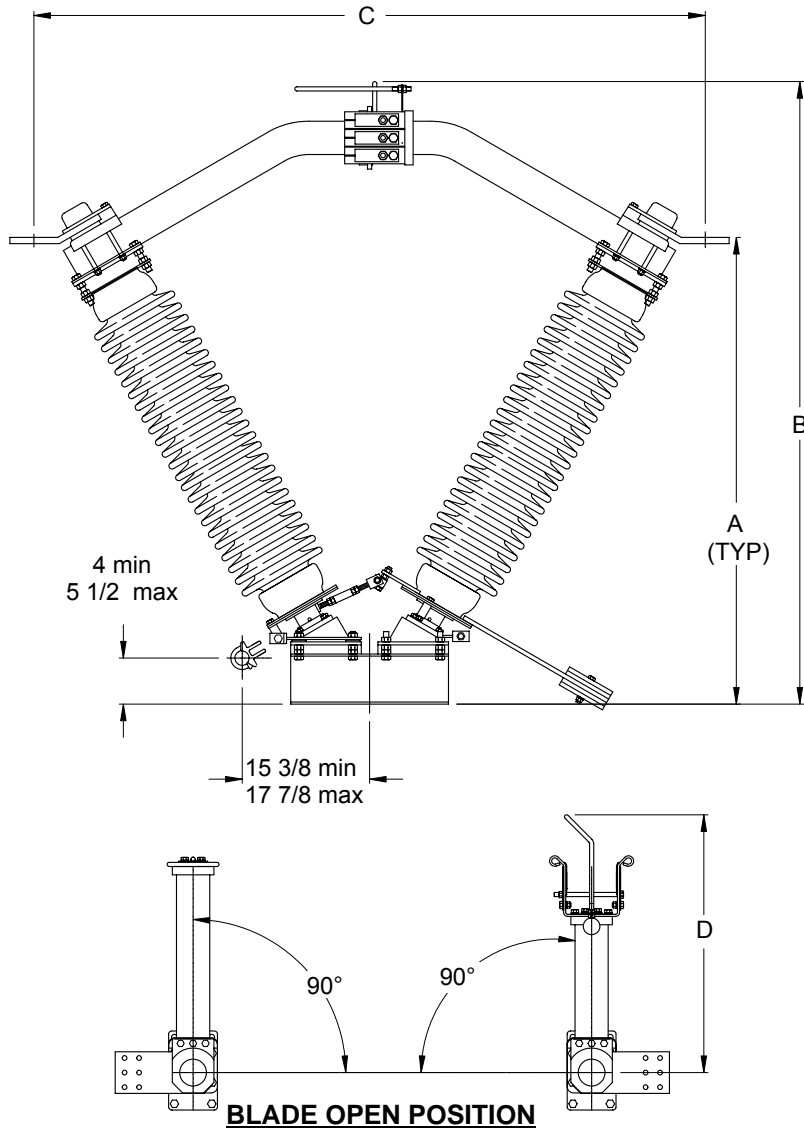
Accessories

- Whip type horns
- Single vacuum bottle interrupters
- Ground switches
- Counterweight as required



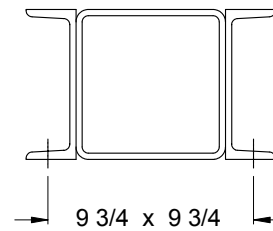
Pacific Air Switch Corporation

P.O. Box 328, 2615 23rd Avenue, Forest Grove, OR 97116, (503) 359-3939, Fax: (503) 357-0858



TERMINAL PAD DETAIL

ANSI Standard Hole Patter
9/16 diameter holes
(Center holes for 600A connector)



STANDARD MOUNTING FOOTPRINT

kV (nom)	kV BIL	Amps Continuous	kA Mom.	STD. INSUL.	INSUL. BC (IN)	INSUL. HGT (IN)	Dimensions are in inches				
							A	B	C	D	E*
15	110	3000	120	TR205	3	10	25 1/2	36 15/16	40 3/8	24 5/8	1545
23	150	3000	120	TR208	3	14	29	41 1/2	44 3/8	26 7/8	1605
34.5	200	3000	120	TR210	3	18	32 1/2	46 1/8	48 3/8	29 1/8	1671
46	250	3000	120	TR214	3	22	36	50 3/4	52 3/8	31 1/2	1803
69	350	3000	120	TR216	3	30	42 3/4	60 1/8	60 3/8	36	1935
115	550	3000	120	TR286	5	45	56	74 3/4	80 7/8	46	2283
138	650	3000	120	TR288	5	54	64	85 7/8	90	51 1/4	2427
161	750	3000	120	TR291	5	62	73 1/4	99 7/16	104	59 3/8	2817
230	900	3000	120	TR304	5	80	89	121 1/16	122	72 1/2	3045

*Weights are in lbs., and include 3 phases, insulators and controls

Pacific Air Switch Corporation

P.O. Box 328, 2615 23rd Avenue, Forest Grove, OR 97116, (503) 359-3939, Fax: (503) 357-0858